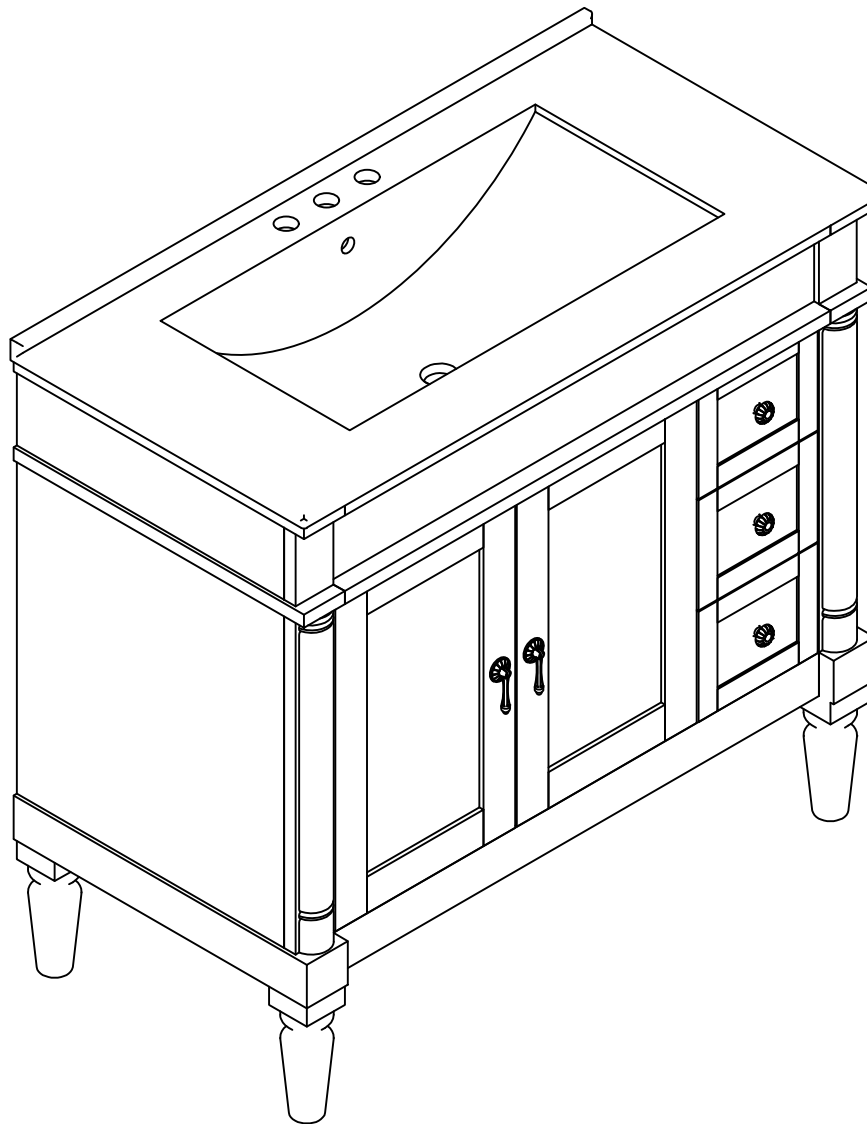


# ASSEMBLY INSTRUCTIONS

## BATH VANITY-CABINET


SKU - N729P300165

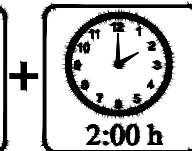
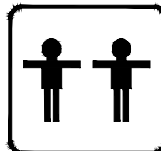
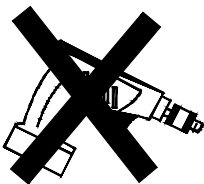


Thank you for purchasing this quality product. Be sure to check all packing material carefully for small parts which may have come loose inside the carton during shipment. Separate, identify and count all parts and hardware.

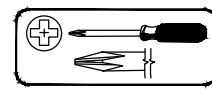
Compare with the parts list to be sure all parts are present.

**DO NOT TIGHTEN SCREWS UNTIL COMPLETELY ASSEMBLED**

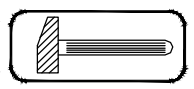
  
\* Use of power tool to assemble this product will invalidate any claim and damage this product making unsafe !!!  
\* Please assemble on a clean soft surface to avoid damage.



Tools Required



(Not included)



(Not included)

**IMPORTANT:**

**PLEASE READ INSTRUCTION BEFORE STARTING THE ASSEMBLY**

**PLEASE DO NOT RETURN TO STORE**



**Please do not return this product to the retailer!!  
We are able to assist you in ANY way**

If you find that you have any trouble with assembly or missing or damaged parts please contact the seller.

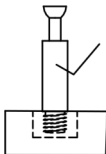
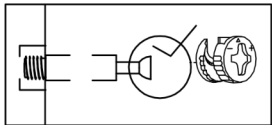
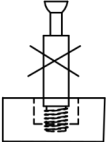
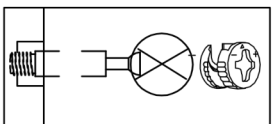
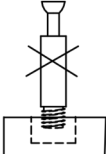
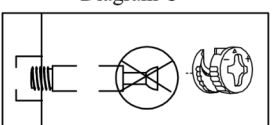
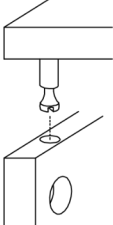
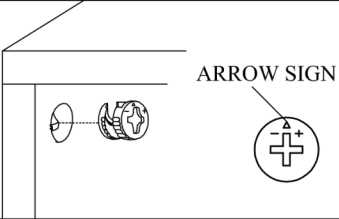
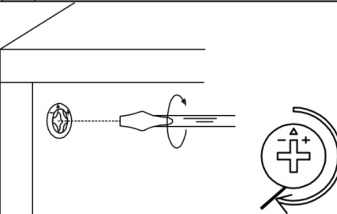
# Before Installation

Important – Please read these instructions fully before starting assembly

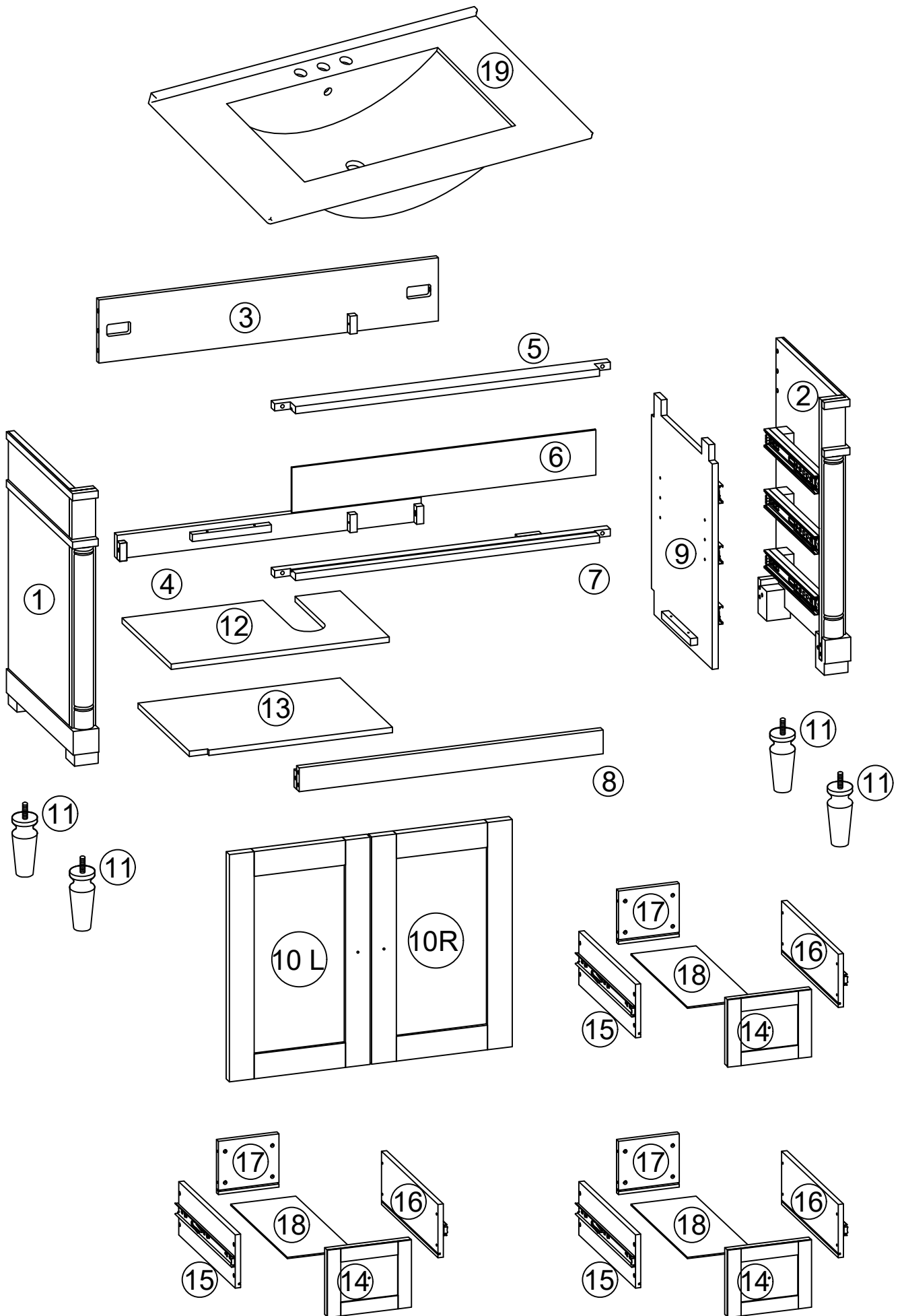
Thank you for purchasing this quality product. Be sure to check all packing materials carefully for small parts, which may have come loose inside the carton during shipment. Identify and count all items according to the PARTS LIST and/or HARDWARE LIST shown below. Check you have all the components and tools listed on the following pages.

- We recommend that you assemble this product with the assistance of another person; this will make the assembly easier, and will help eliminate damage to the product or injury to persons during assembly.
- Please do not over tighten screws or bolts until the assembly is completed.
- Keep children and animal away from the work area, small parts could choke if swallowed.
- Please put all parts on a non-abrasive floor before assembly, and follow the assembly steps to assemble your newly purchased product correctly and efficiently.

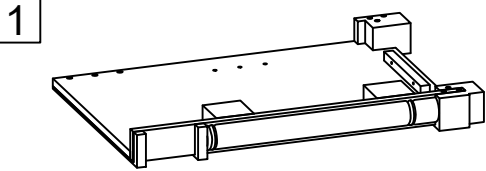
## Cam Lock Assembly Instructions

		Diagram A Insert Cam Bolt into hole as shown in diagram A.
		Diagram B Make sure not to insert the Cam Bolt: Too deep as shown in figure B as this will cause the Cam Lock to be misaligned and unable to interlock properly.
		Diagram C Also avoid inserting the Cam Bolt too close to the surface of the hole as shown in figure C, as this will cause the Cam Lock to be too loose, and not interlock properly.
		Connect the panels together.
		ARROW SIGN Insert the Cam Lock so the side opening fits over the head of the Cam Bolt.
		To tighten the Cam Lock, turn it clockwise on half a turn with a flat screwdriver. <i>*Do not use an automatic screwdriver as it may bend or break if too much power is imposed.</i>

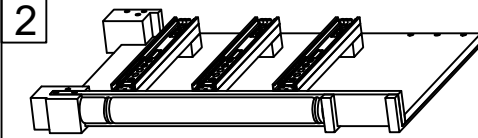
# Detail View



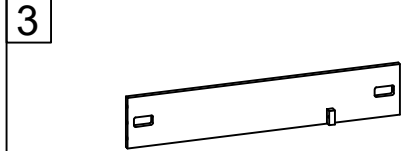
# Part Lists: N729P300165



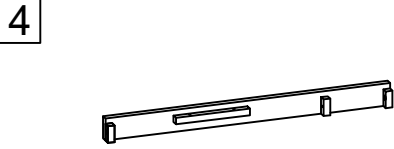
Side Frame (L) - 1pc



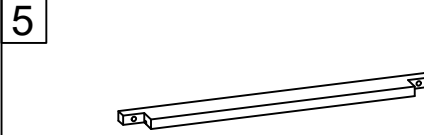
Side Frame (R) - 1pc



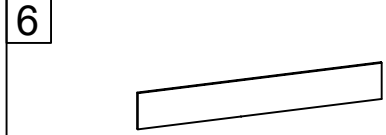
Top Rear Crossbar - 1pc



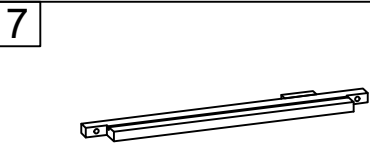
Bottom Rear Crossbar - 1pc



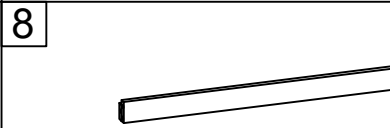
Top Front Crossbar - 1pc



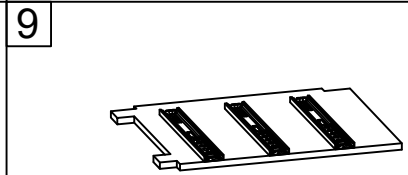
Front Panel - 1pc



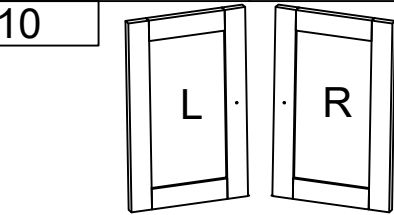
Middle Front Crossbar - 1pc



Bottom Front Crossbar - 1pc



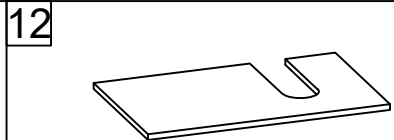
Middle Vertical Panel - 1pc



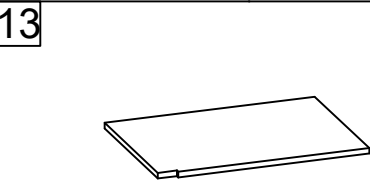
Door Cabinet (L + R) - 2pcs



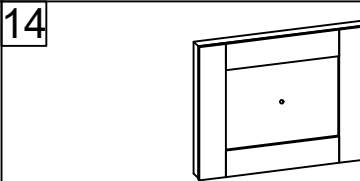
Legs - 4pcs



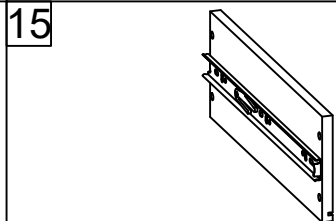
Adjustable Shelf - 1pc



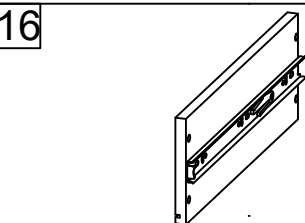
Bottom Panel - 1pc



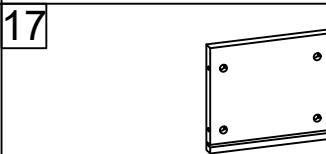
Front Drawer - 3pcs



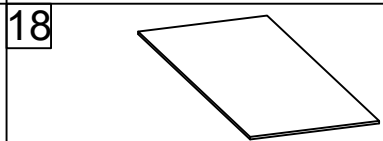
Side Drawer (L) - 3pcs



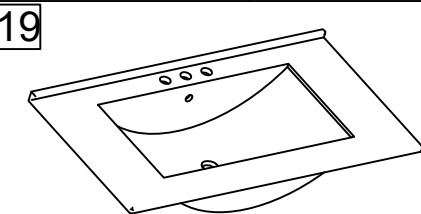
Side Drawer (R) - 3pcs



Rear Drawer - 3pcs

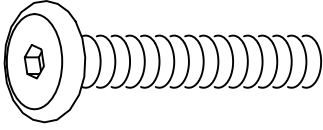
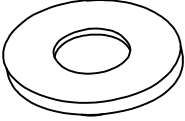
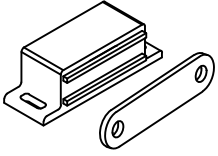
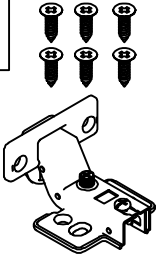
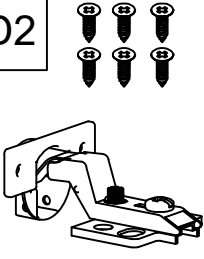

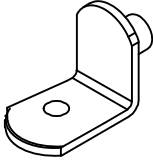
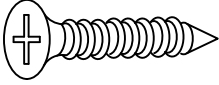
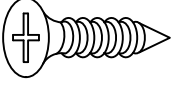
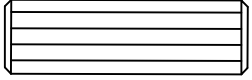
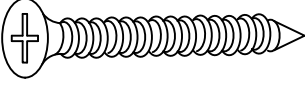



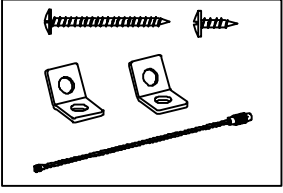
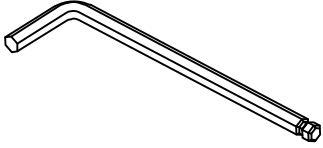


Bottom Drawer - 3pcs

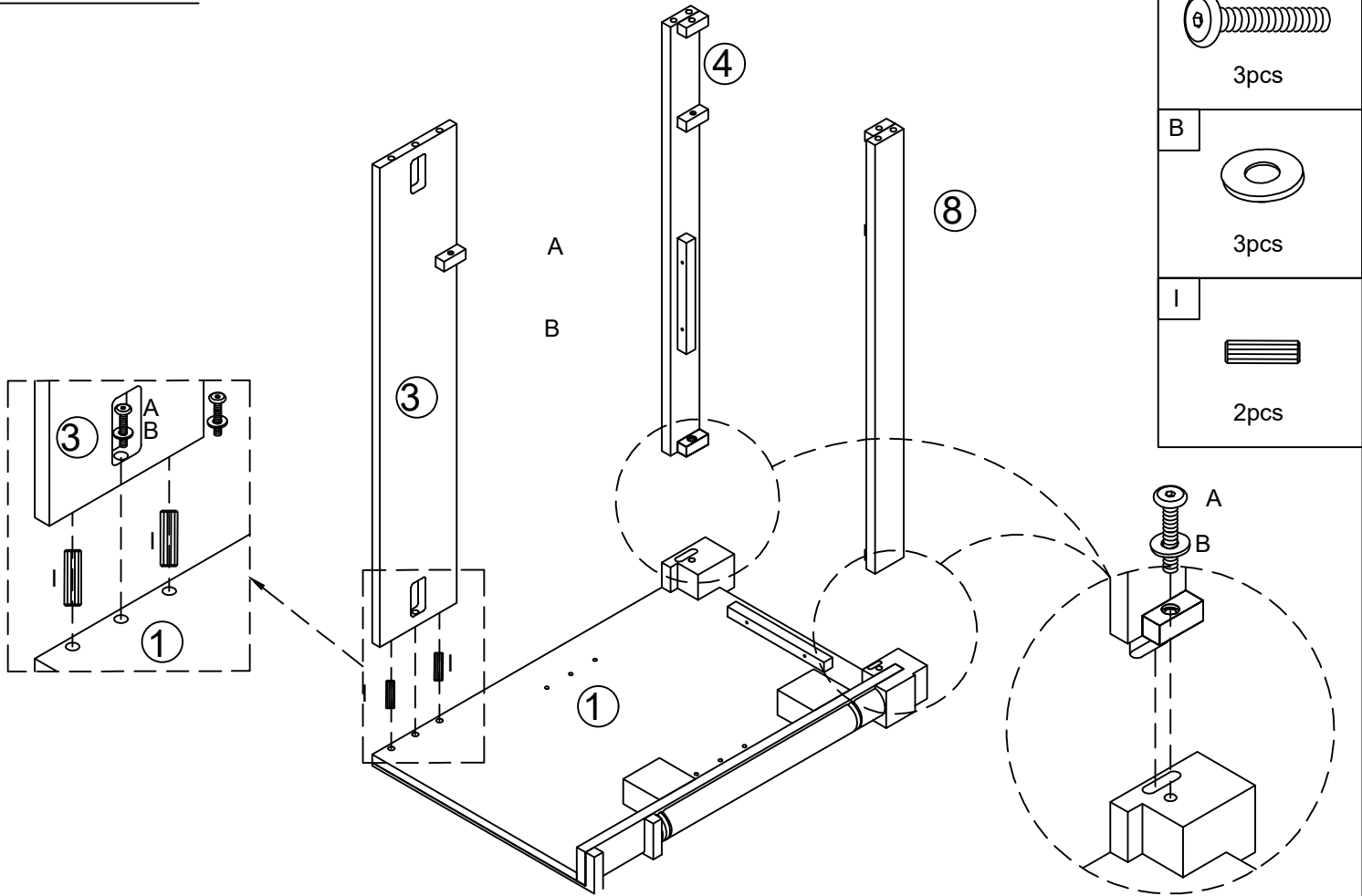


Sink - 1pc

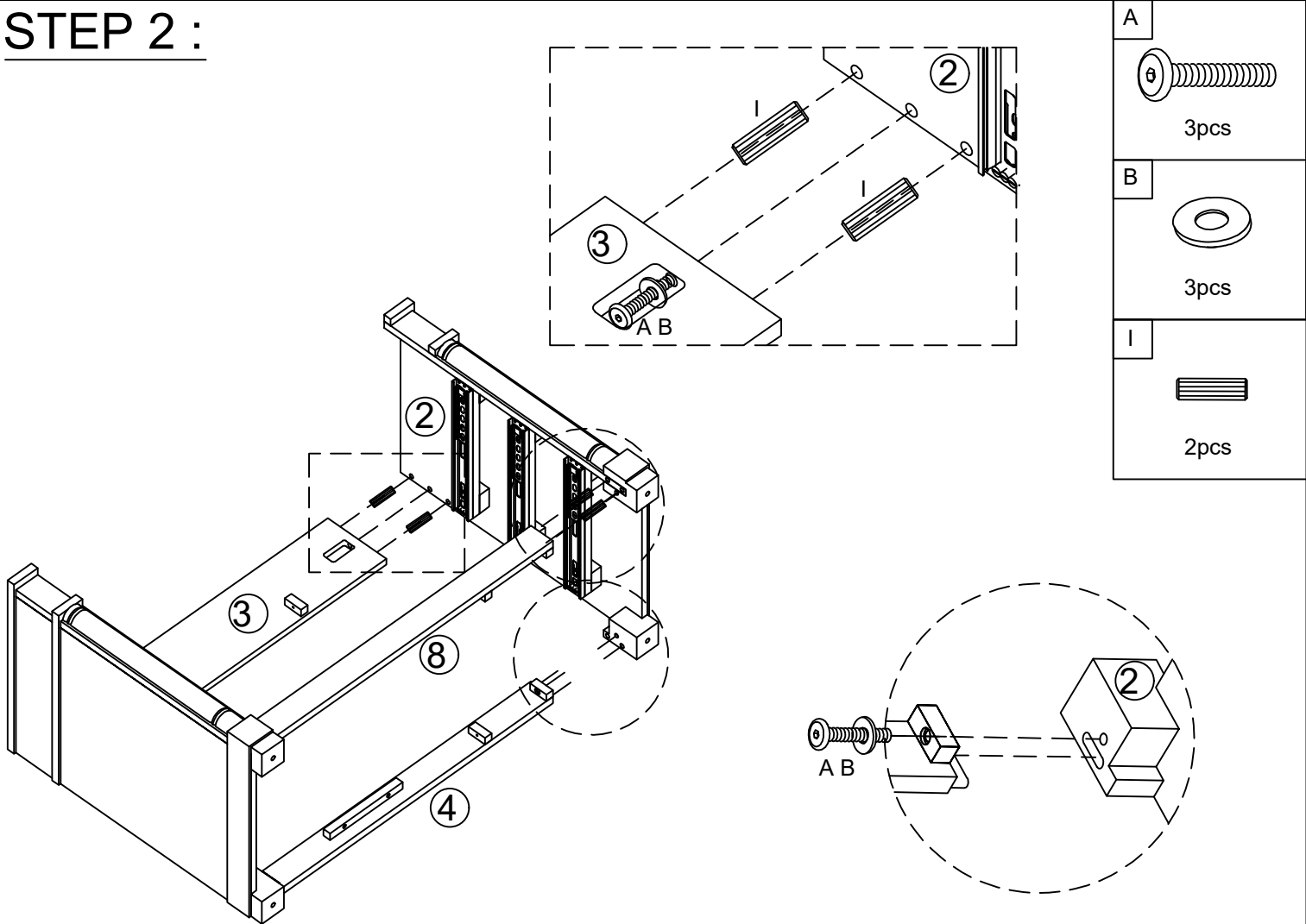
# Hardware Lists: N729P300165

<p><b>A</b></p>  <p>Ø13xØ1/4*30mm</p>	<p><b>B</b></p>  <p>Ø14xØ6</p>	<p><b>C</b></p> 		
<p>Hex-Head bolt (10pcs)      Flat Washer (10pcs)      Inhale the magnet (2set)</p>				
<p><b>D1</b></p> 	<p><b>D2</b></p> 	<p><b>E</b></p>  <p>Ø8x8mm</p>	<p><b>F</b></p> 	
<p>Damping hinge (2set)      Damping hinge (2set)</p>		<p>Plastic Canopy (12pcs)</p>	<p>Shelf Pin (4pcs)</p>	
<p><b>G</b></p>  <p>Ø8xØ4*25mm</p>	<p><b>H</b></p>  <p>Ø6xØ3*12mm</p>	<p><b>I</b></p>  <p>Ø10x30mm</p>		
<p>Round head screw (20pcs)      Round head screw (12pcs)      Wooden dowel (4pcs)</p>				
<p><b>J</b></p>  <p>Ø8xØ4*35mm</p>	<p><b>K1</b></p> 	<p><b>K2</b></p> 	<p><b>L</b></p>  <p>Ø5/32*19mm</p>	
<p>Round head screw (12pcs)      Handle (2pcs)</p>		<p>Handle (3pcs)</p>	<p>Handle screw (5pcs)</p>	
<p><b>M</b></p> 	<p><b>N</b></p>  <p>K4mm</p>			
<p>Anti fall Hardware (2sets)</p>		<p>Allen key (1pc)</p>		

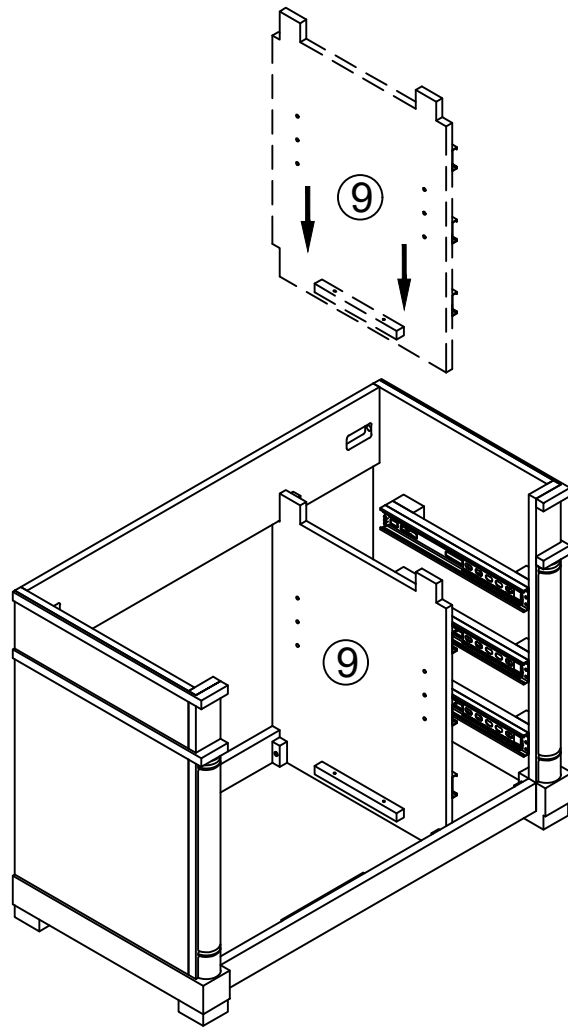
# STEP 1 :



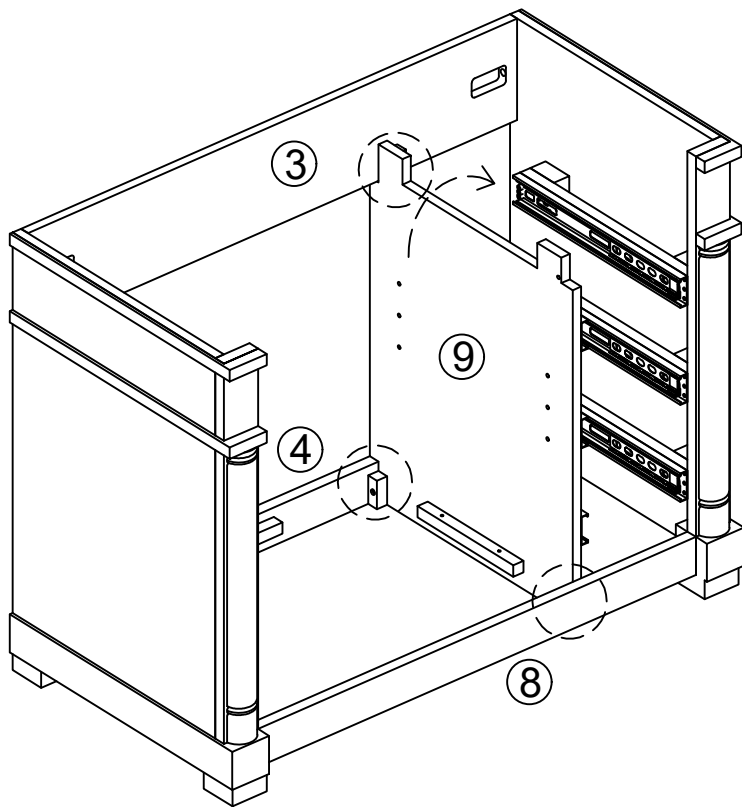
# STEP 2 :




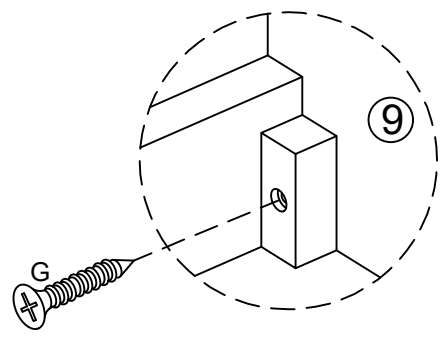
# STEP 3 :



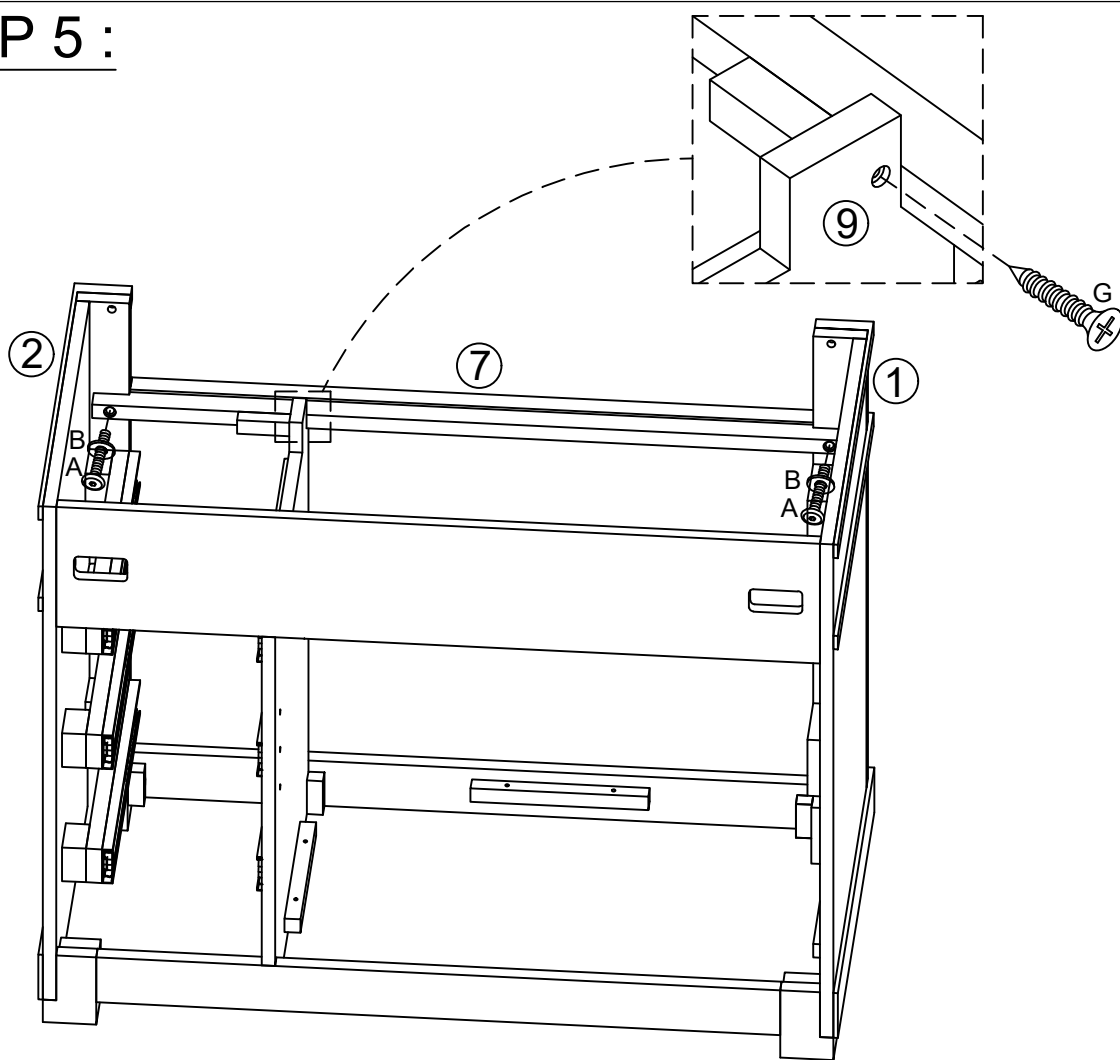
# STEP 4 :






G

3pcs

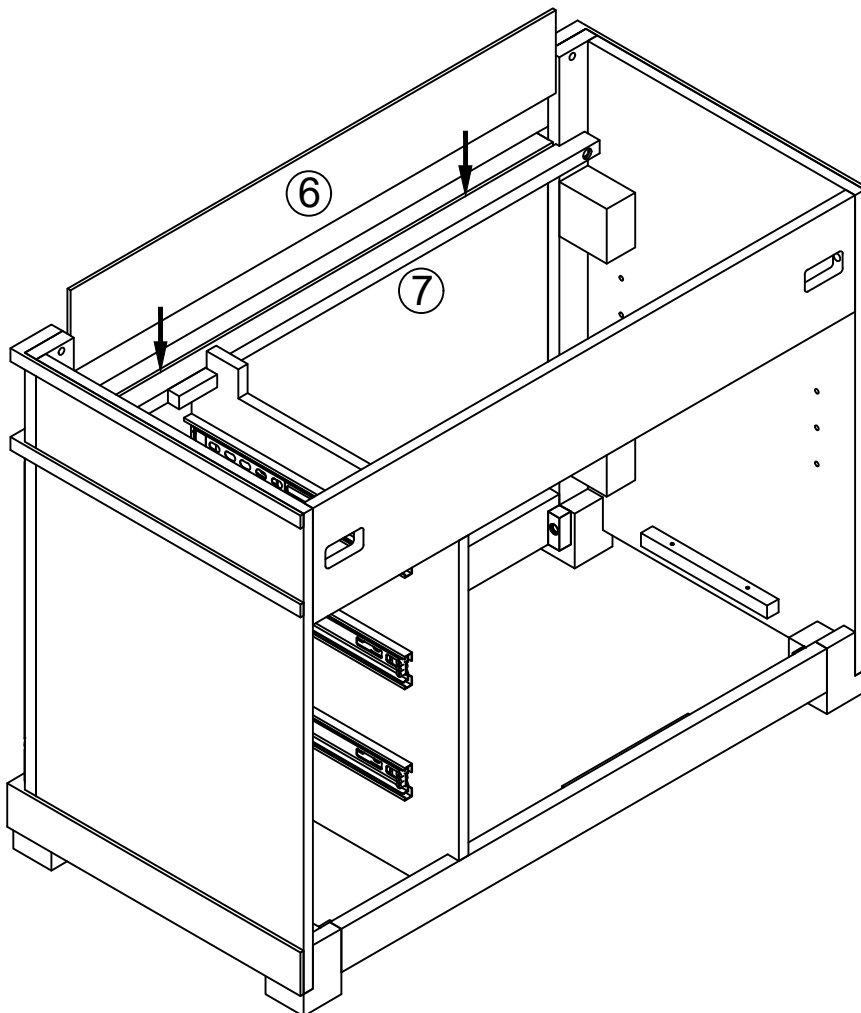


# STEP 5 :

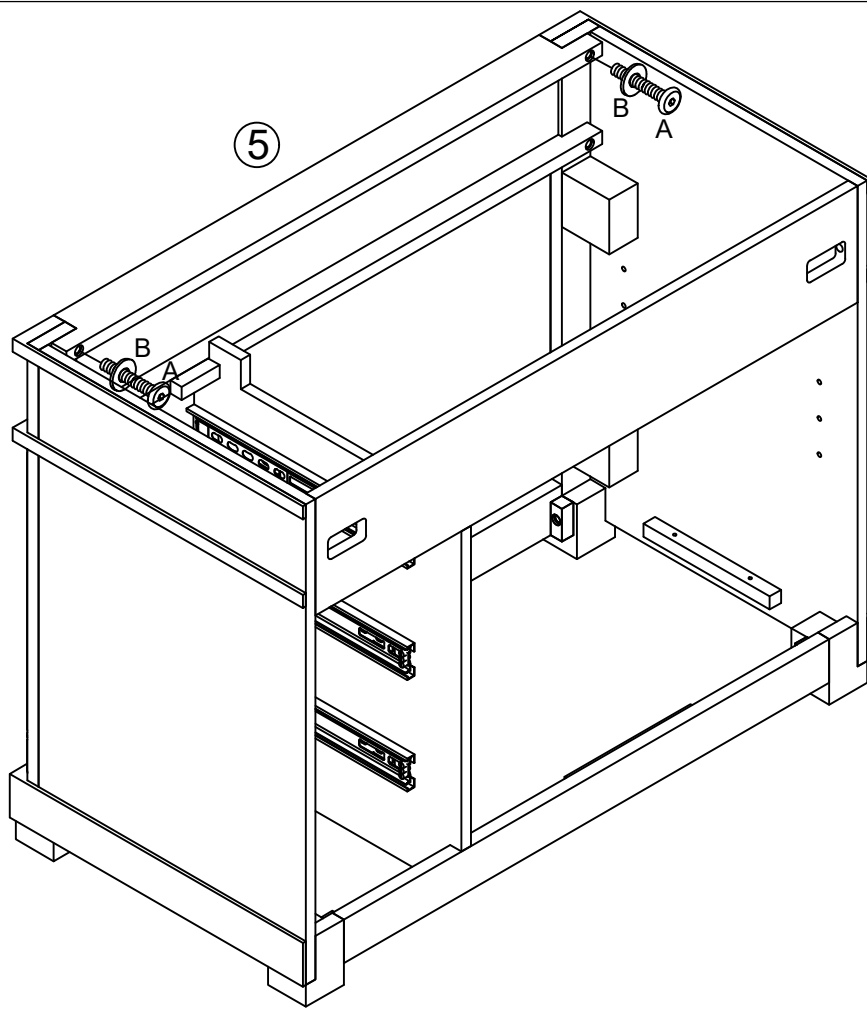




A		2pcs
B		2pcs
G		1pc

# STEP 6 :

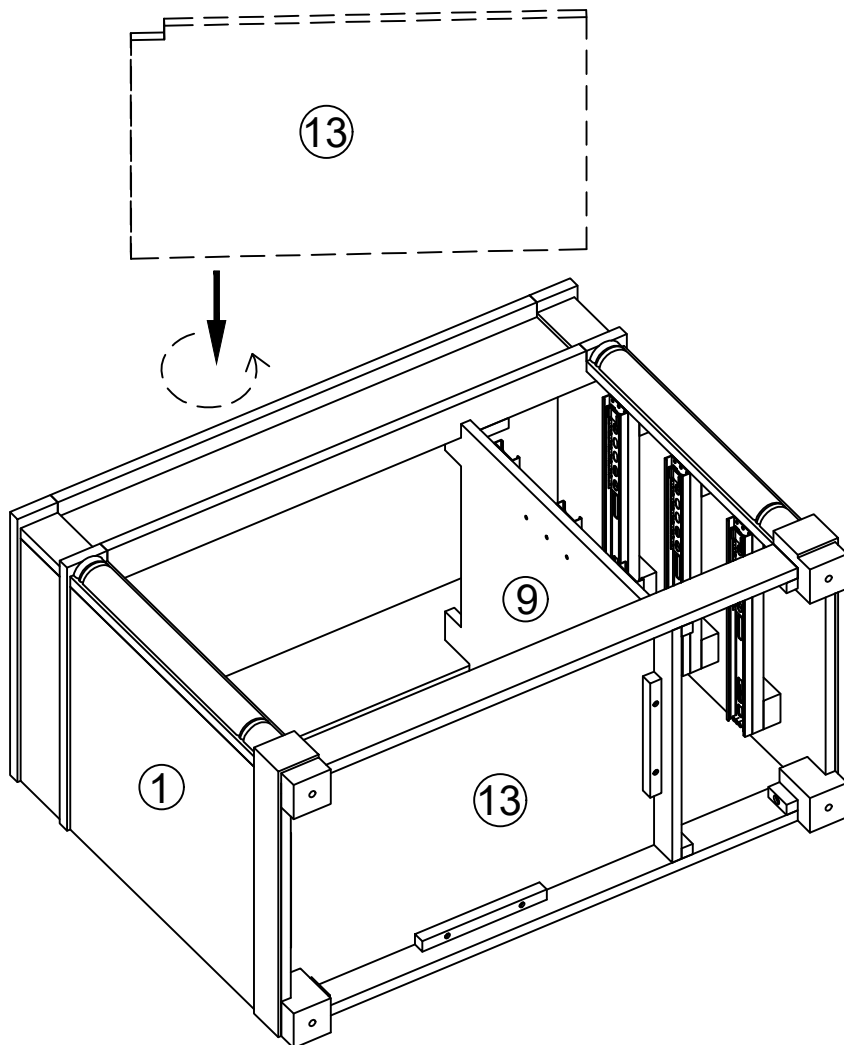


# STEP 7 :

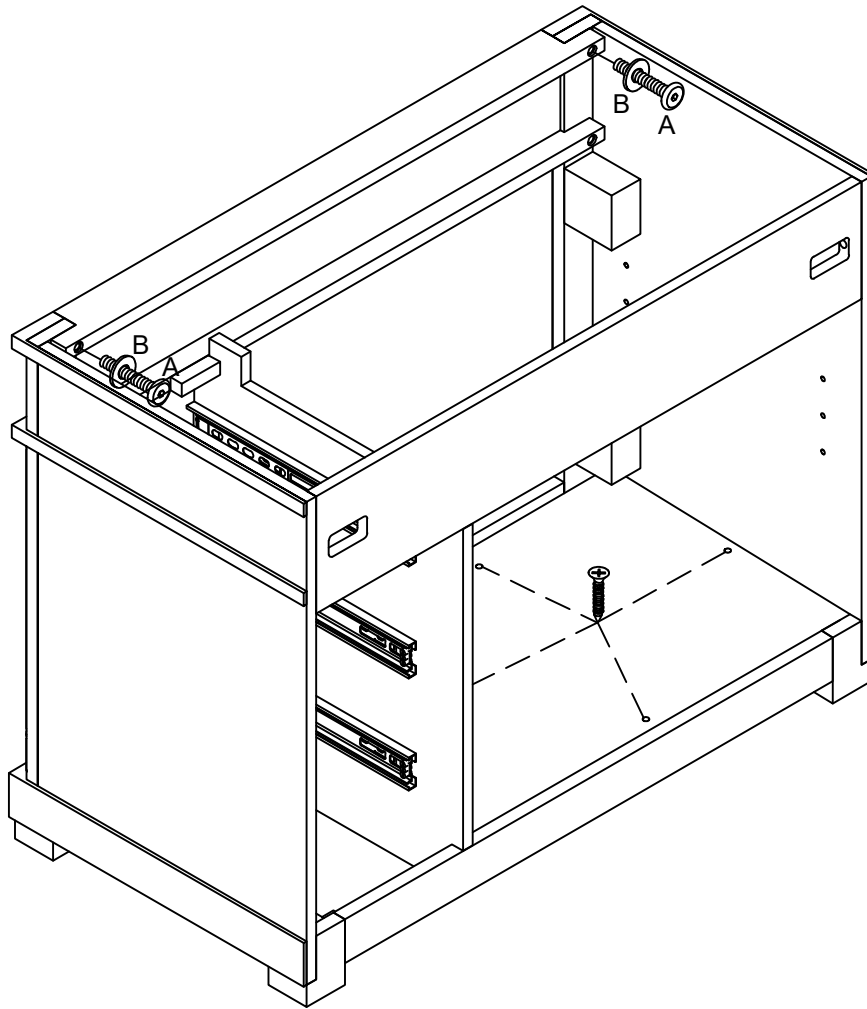


- A  
  
2pcs
- B  
  
2pcs

# STEP 8 :



# STEP 9 :

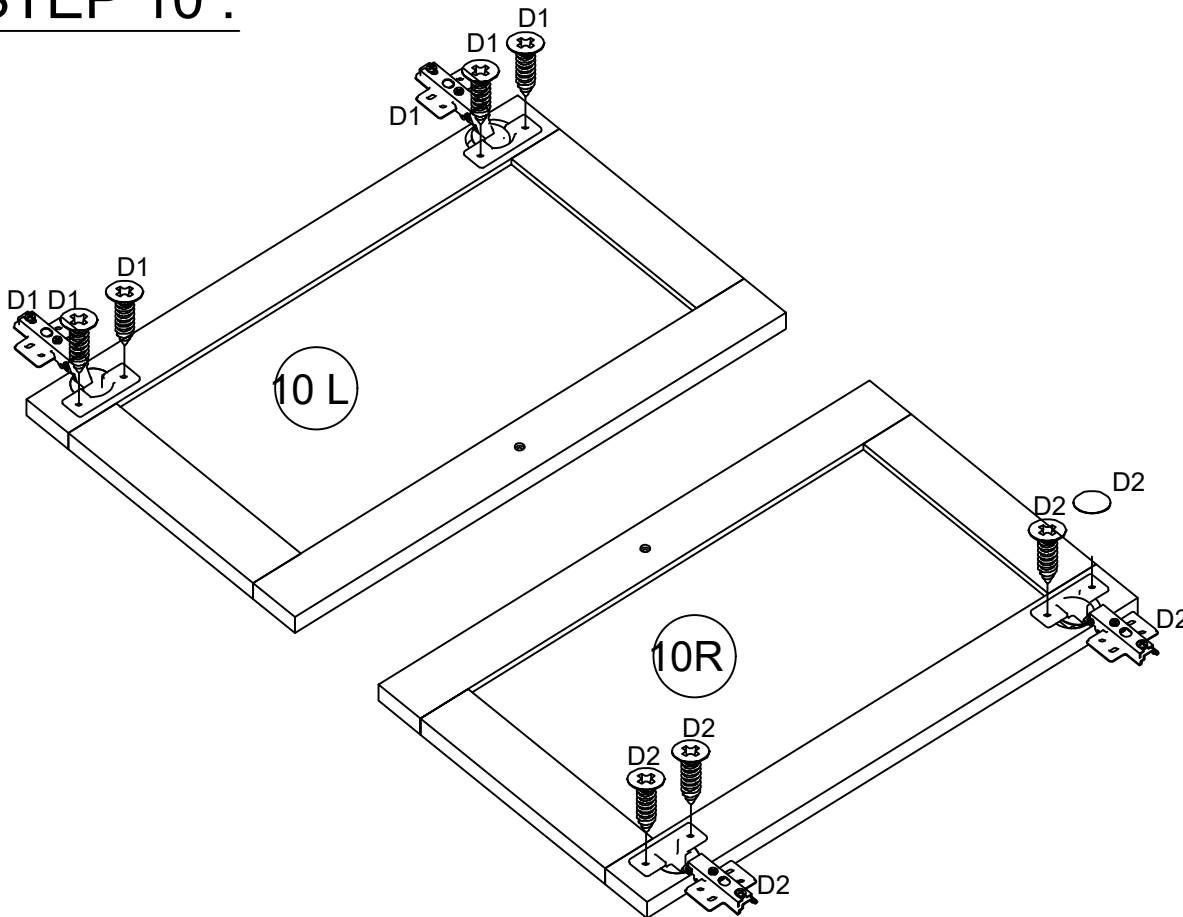


G



4pcs

# STEP 10 :



D1



2pcs

D1



4pcs

D2



2pcs

D2



4pcs

# STEP 11 :

**D1** 8pcs

**D2** 8pcs

**K1** 2pcs

**L** 2pcs

Use the screws to adjust up or down Use the screws to permanent

Use the screws to adjust left or right Use the screws to adjust in or out

# STEP 12 :

**C** 2set

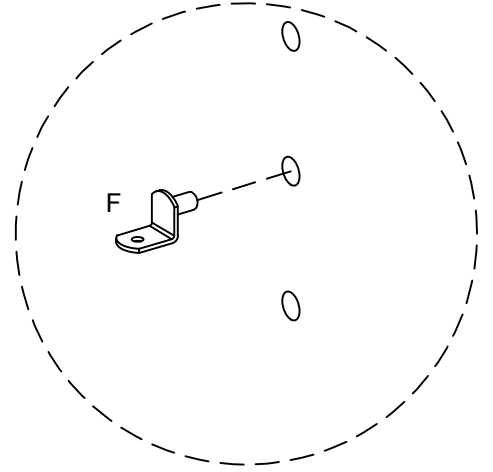
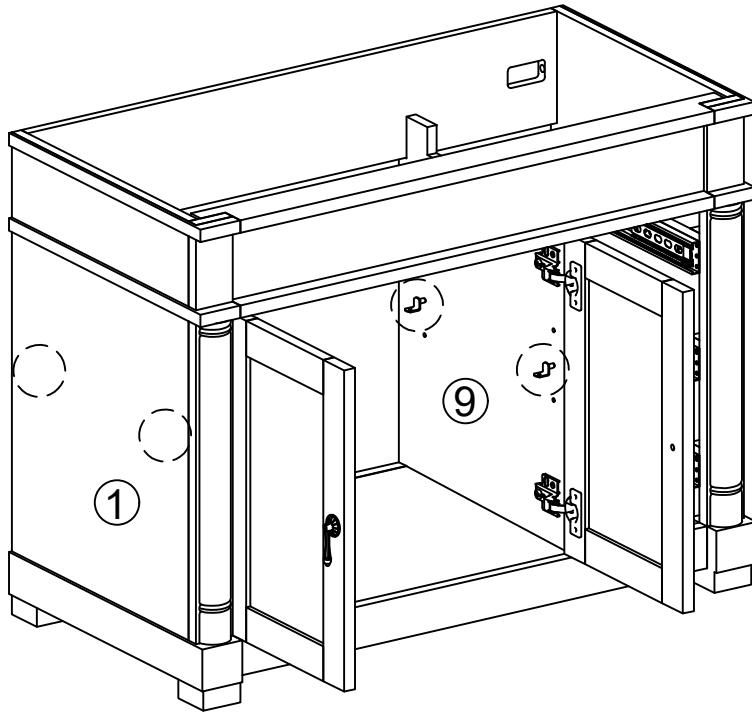
**H** 8pcs

# STEP 13 :

F



4pcs

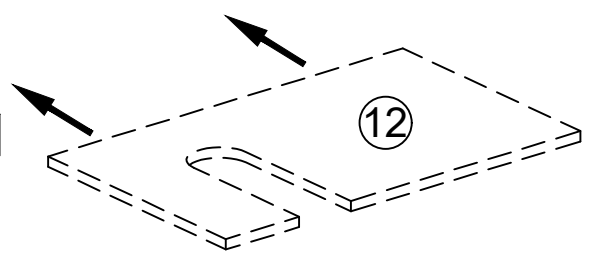
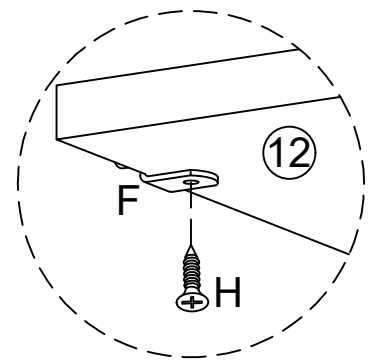
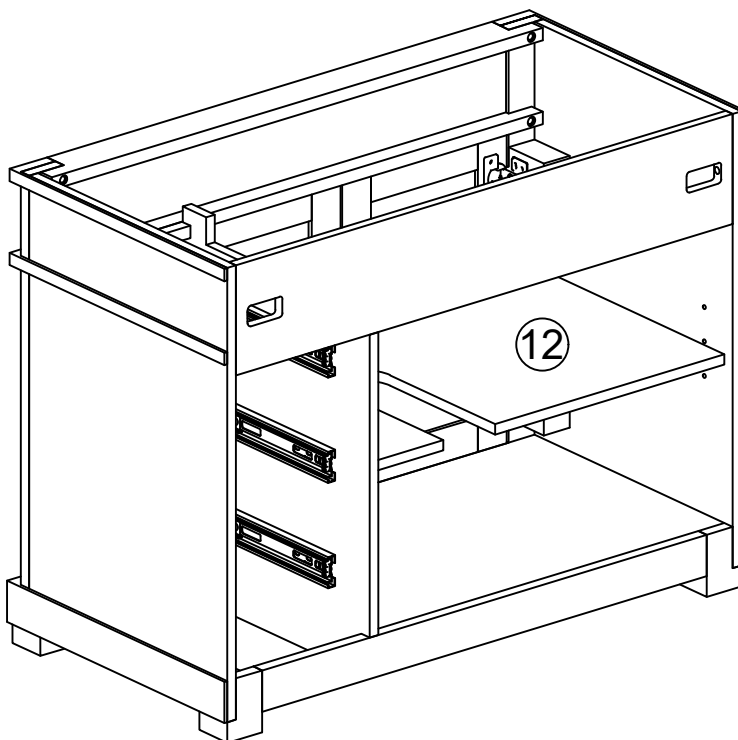


# STEP 14 :

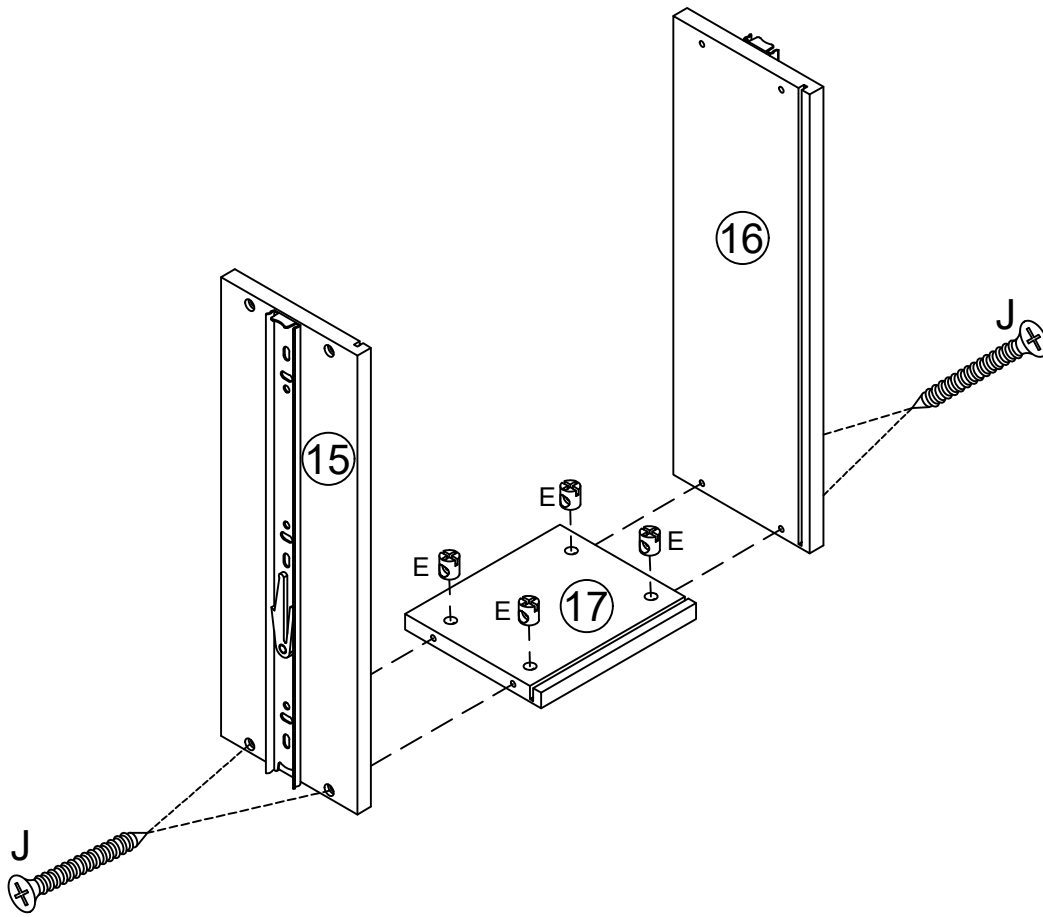
H


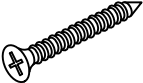


4pcs



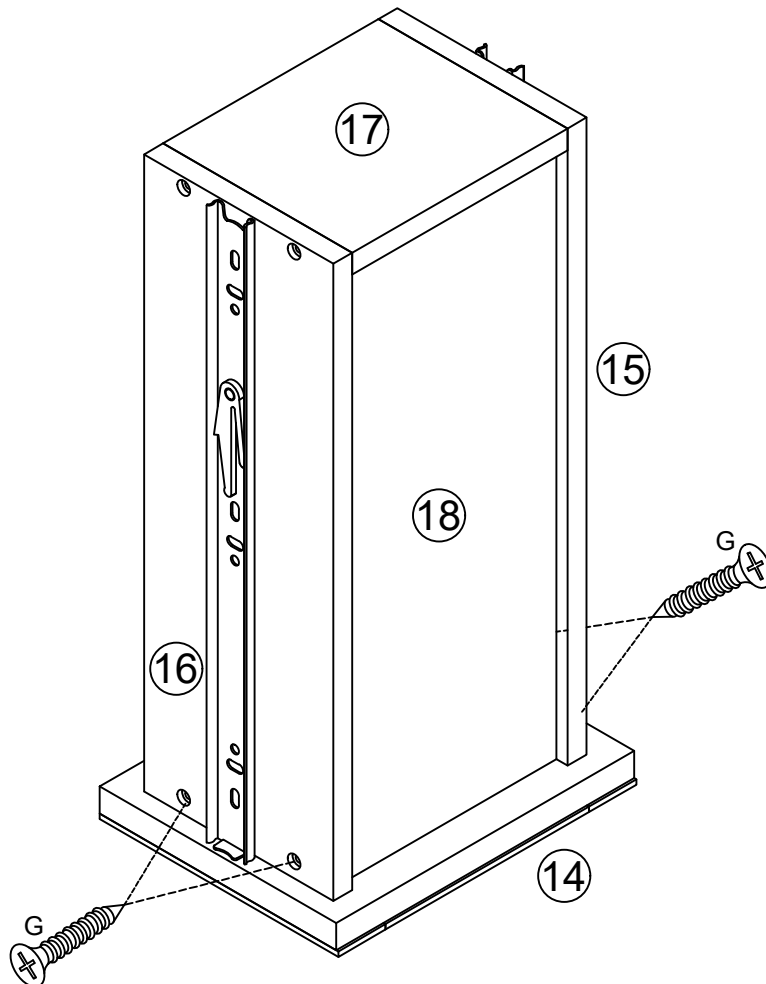
# STEP 15 :




E	
	12pcs
J	
	12pcs

X 3

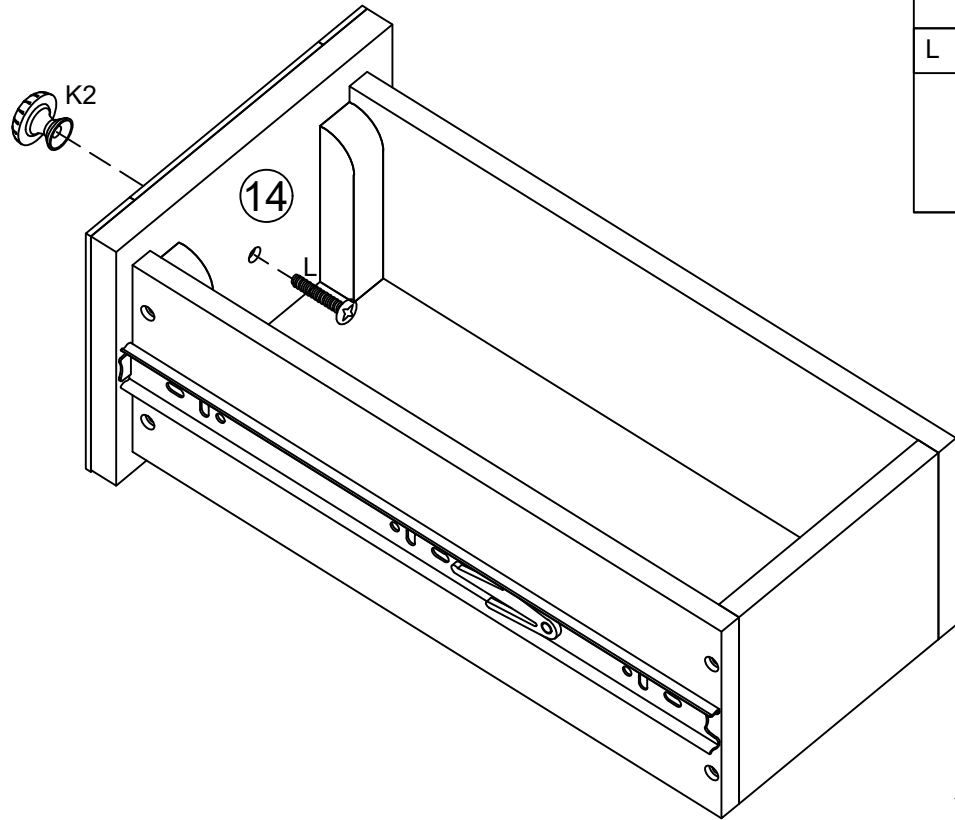
# STEP 16 :



G	
	12pcs

X 3

# STEP 17 :



K2



3pcs

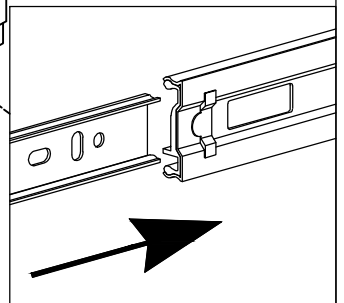
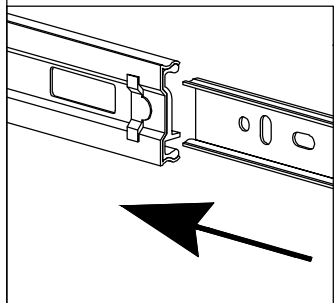
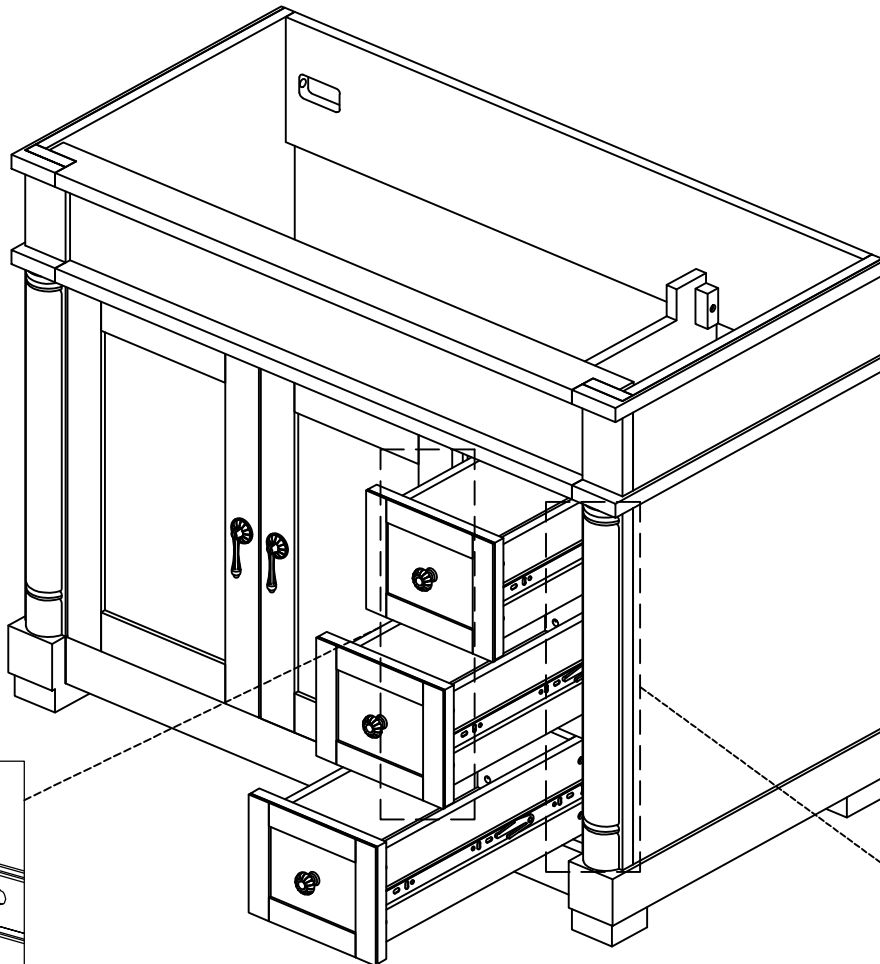
L



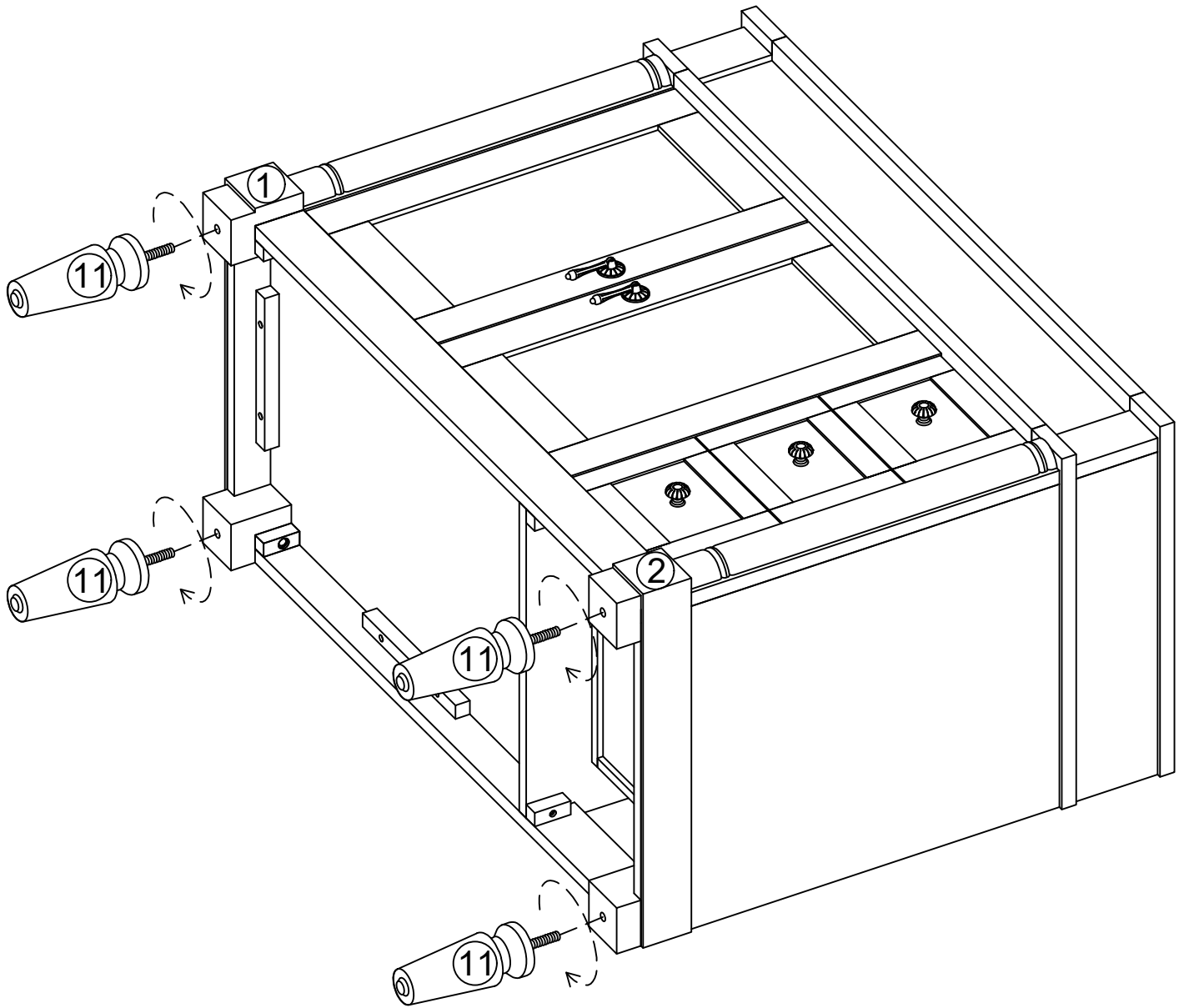
3pcs

X 3

# STEP 18 :

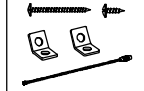


# STEP 19 :

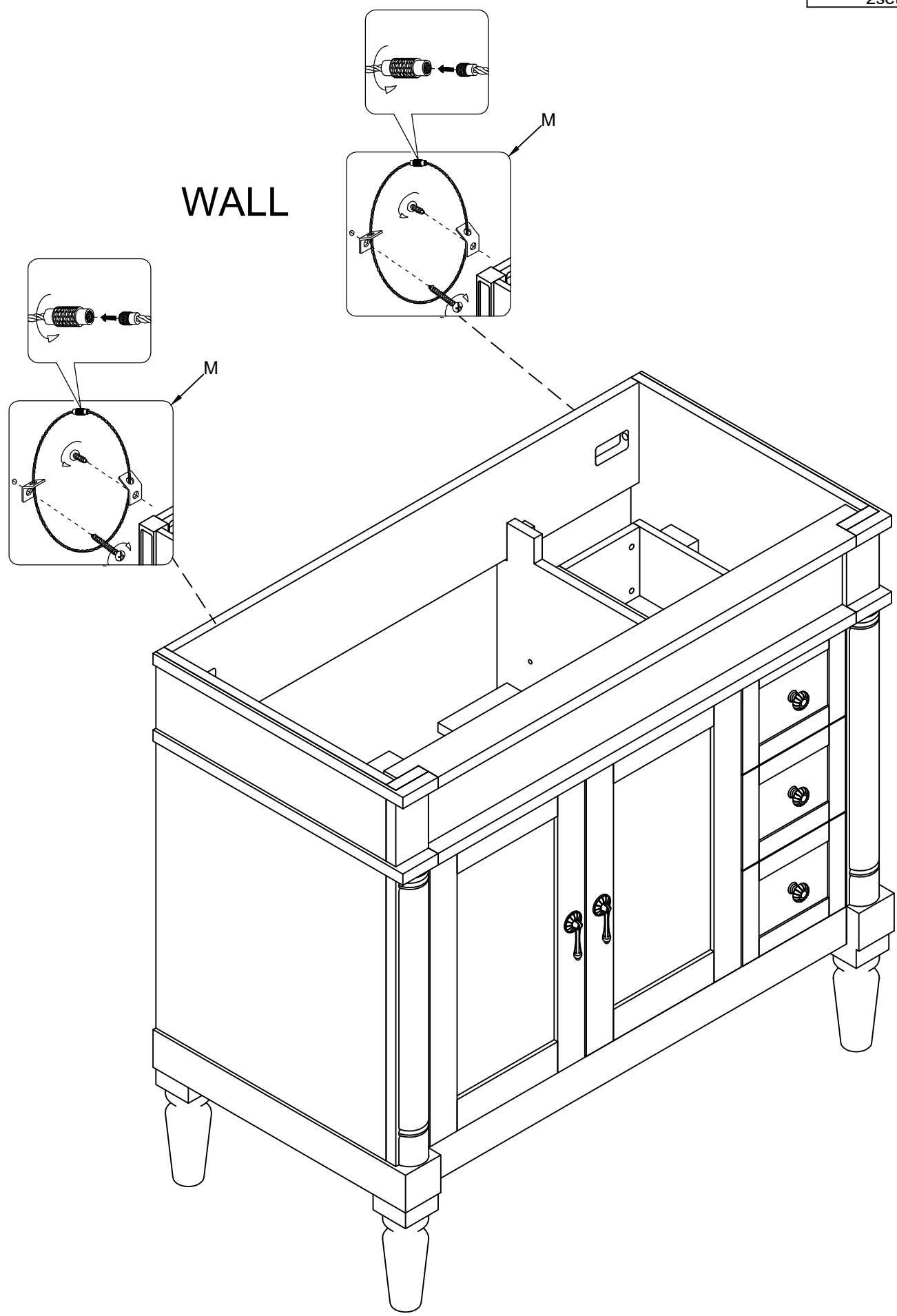


# STEP 20 :

M

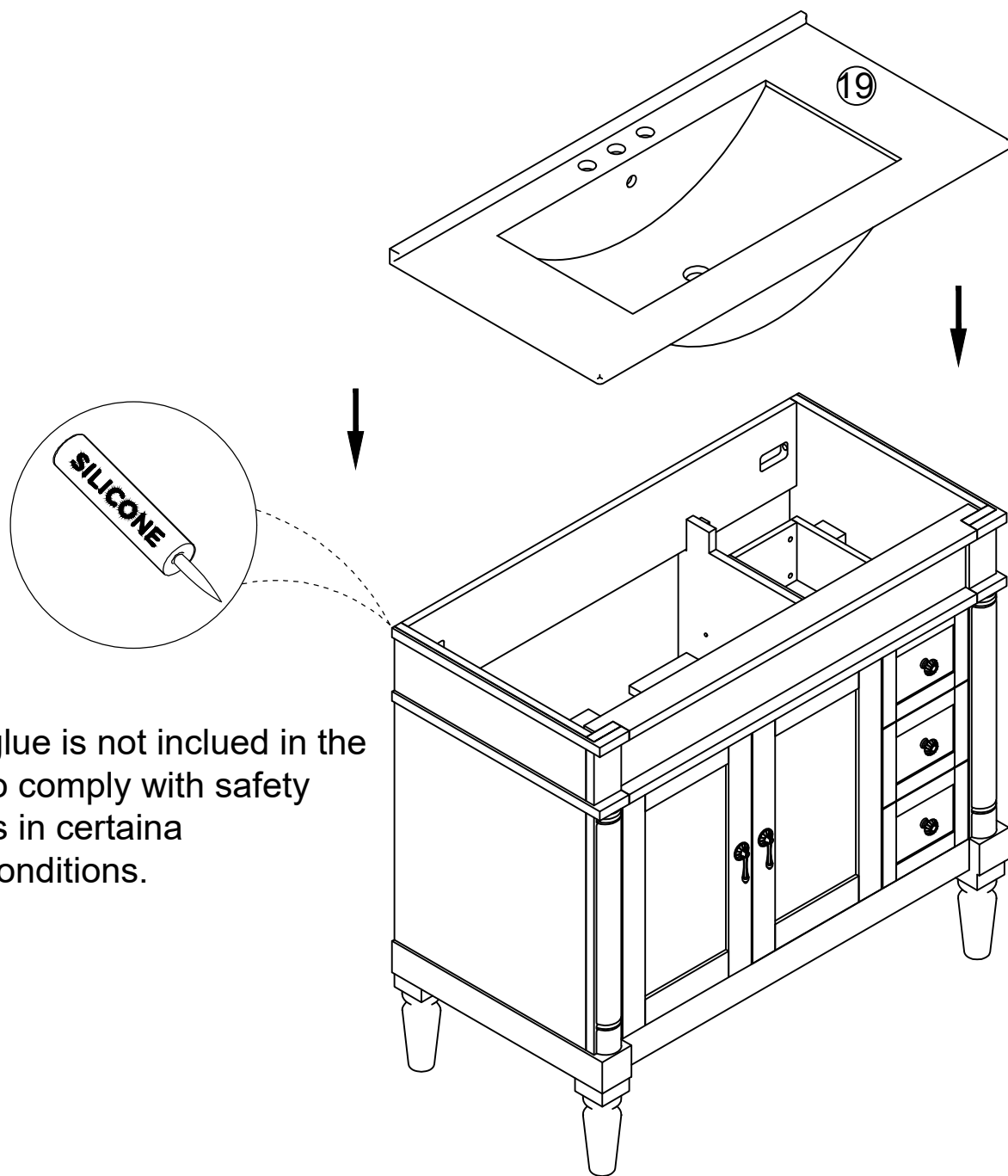


2set



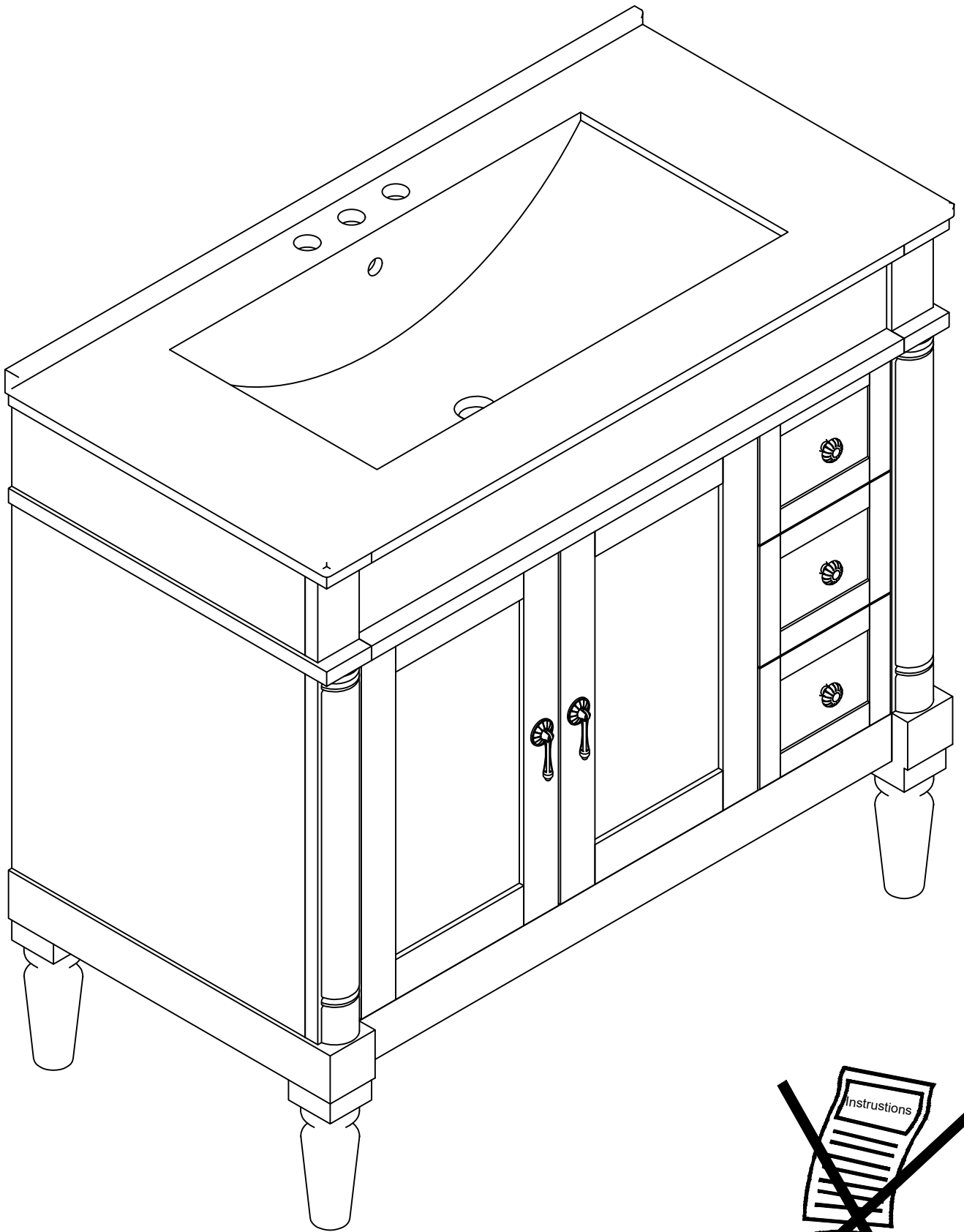
## STEP 22 :

Install the sink on the cabinet with glue  
Let stand for 24 hours

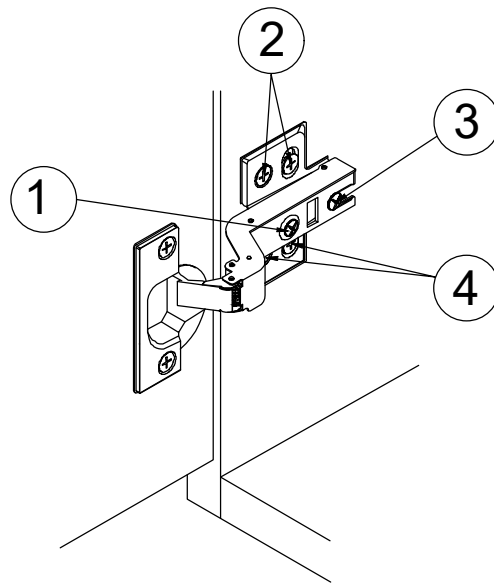


\*Silicone glue is not included in the package to comply with safety regulations in certain shipping conditions.

STEP 23 :

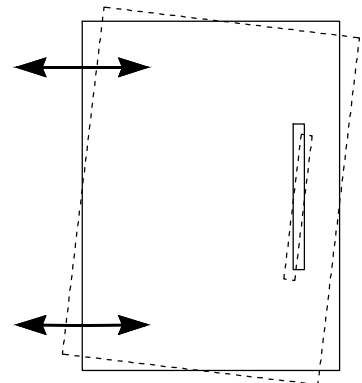


# HINGE ADJUSTMENTS



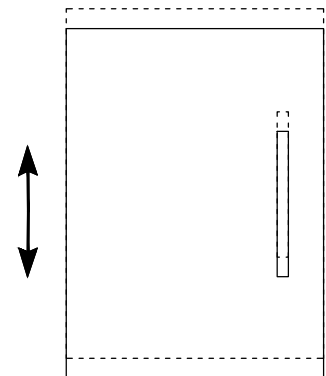
## ① Sideways / Tilt adjustment

Turn the screw  
clockwise to move the door further away from  
the side of the cabinet  
anticlockwise to move the door closer to the  
side of the cabinet



## ② ④ Height adjustment

While supporting the weight of the door, turn the  
screws  
clockwise to move the door up  
anticlockwise to move the door down



## ③ Forward and back adjustment

If the gap between the back of the door and the  
cabinet is too small, and the door may not close  
fully. Turn the screw  
clockwise to decrease the gap between the  
door and the cabinet  
anticlockwise to increase the gap between the  
door and the cabinet

