









CARE AND MAINTENANCE

Spot clean using a mild water-free solvent. Only a professional cleaner should undertake a complete overall cleaning.
The use of steam or water-based cleaners may cause excessive shrinking or staining.

NOTICE

- * Please make sure that you have all parts indicated before you begin assembly of this item
- * This item should be assembled on a soft surface to prevent scratching the finish during assembly
- * This item may require periodic tightening

Part List and Hardware List

PIECE	DESCRIPTION	PICTURE	QUANTITY
A	TOP PLATE		1X
B	LEG 1		1X
C	LEG 2		1X
■	Spacer 15mm		8X
■	Flange 15mm		8X
■	Socket 15mm x 35mm		8X
■	ALLEN KEY		1X
■	FELT PAD		4X

Model: COF8100A

Product Dimensions: ■ x 15.5" H

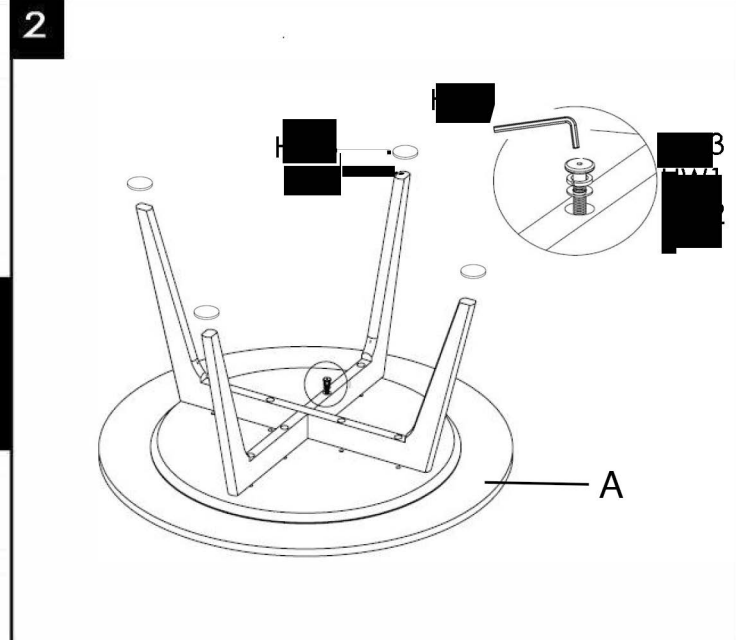
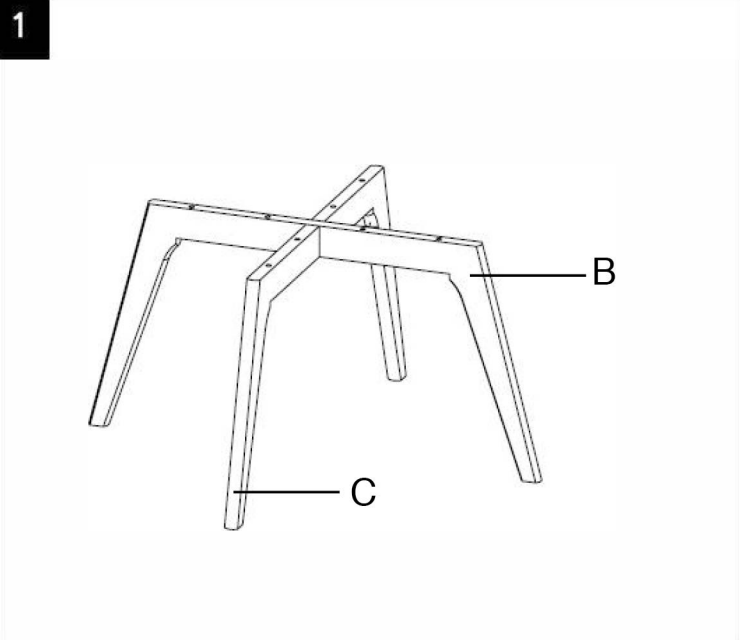


PREPARATION

Before beginning assembly of product, make sure all parts are present. Compare parts with package contents list and hardware contents list.

If any part is missing or damaged, do not attempt to assemble the product.

Estimated Assembly Time: 15 minutes.



Step 1

Step 2