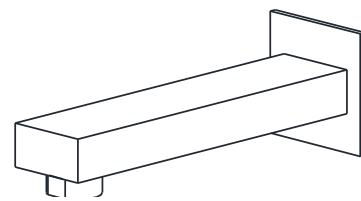
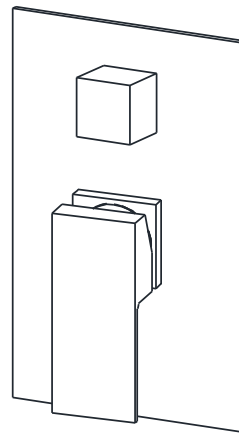
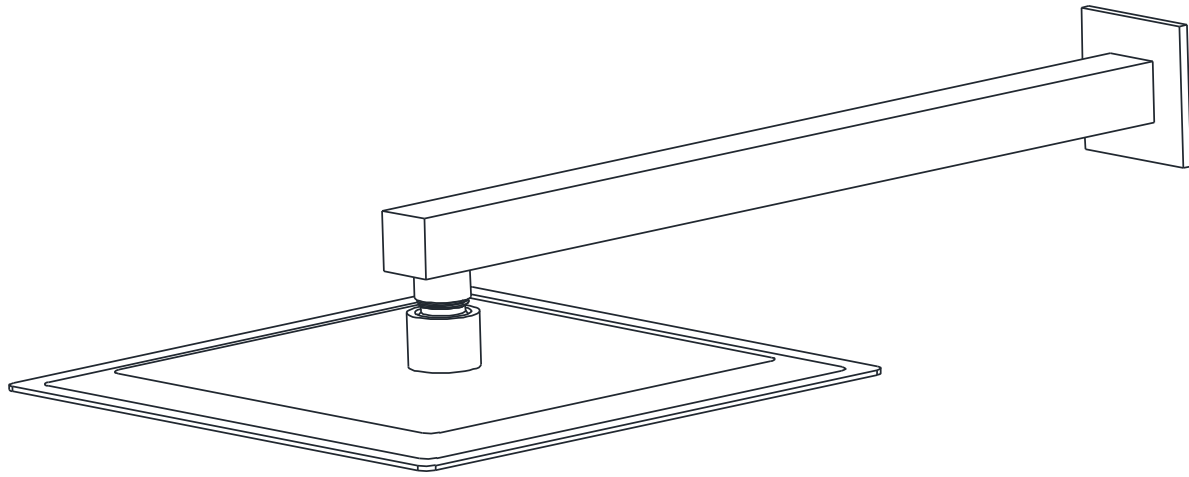


INSTALLATION GUIDE



TUB AND SHOWER FAUCET

MODEL	FINISH
S3135IB-CH	CHROME
S3135IB-BN	BRUSHED NICKEL
S3135IB-MB	MATTE BLACK
S3135IB-BG	BRUSHED GOLD

HOT LINE: +1-866-203-0866

THANK YOU

Dear Valued Customer,

Thank you for choosing SUMERAIN products. We would like to take this opportunity to express our sincere gratitude for your recent purchase. We hope you are completely satisfied with your new product. Rest assured, we meticulously engineer all SUMERAIN products and put them through rigorous factory tests to ensure their prolonged, trouble-free use under normal conditions.

Installing this product is as simple as it gets. All you need are some basic tools and our handy step-by-step illustrated guide. We wholeheartedly welcome any questions or feedback you may have. We eagerly anticipate the opportunity to assist you in the future. If you have any inquiries regarding this product, please do not hesitate to contact us at +1-866-203-0866 or email us at supports@sumerain.com.

Once again, we extend our gratitude for selecting SUMERAIN products. We remain committed to providing exceptional customer service.

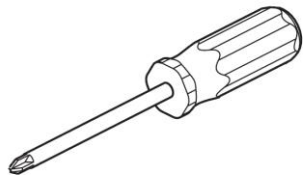
Sincerely,

SUMERAIN Customer Service Department

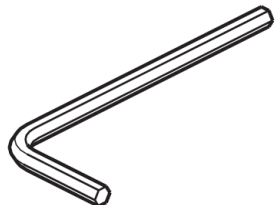
BEFORE PROCEEDING

1. Unpack your new product and verify that all components are present in the package. Until you're ready to install, it's best to keep the product in its original box.
2. Identify the water supply inlets and turn off the water supply valves. You'll typically find these valves near the water meter. If you're replacing an existing unit, make sure to remove the old one and clean the mounting surface thoroughly.
3. Adhere to all plumbing and building codes applicable in your area.
4. If you're not confident about installing the product yourself, we strongly recommend seeking help from a professional.

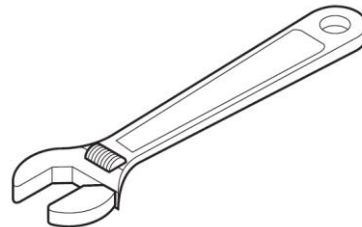
TOOLS RECOMMENDED



Philips/Flat Head Screwdriver



Allen Wrench



Adjustable Wrench



Channel Locks



Teflon Tape

LIMITED LIFETIME CONSUMER WARRANTY

VERSION: 140320.15.3

This product has been manufactured and tested to the highest quality standards by HONGKONG SUMERAIN SANITARY INDUSTRY Co., Limited ("SUMERAIN"). This warranty applies solely to SUMERAIN products purchased by consumers in the United States after January 1st, 2020. In the event of a faucet experiencing leaks or drips during regular usage, SUMERAIN will provide the necessary faucet cartridge to the purchaser, free of charge, in order to restore the faucet to proper working condition. If any defects are identified during normal residential use, SUMERAIN will, at its discretion, perform repairs, provide replacement parts or products, or make appropriate adjustments to ensure the product's optimal functionality.

WHO IS COVERED BY THE WARRANTY

This warranty provides exclusive coverage to the original consumer purchaser, including those who have made purchases through online retail platforms. However, online retail customers who are specifically covered by the "Online CONSUMER Limited Lifetime WARRANTY & Return policy" are also included. Please note that this warranty is non-transferable and cannot be assigned to any other party.

WHAT IS COVERED BY THE WARRANTY

This warranty is applicable only to the SUMERAIN manufactured product that you have purchased. SUMERAIN provides the following warranty against defects in material or workmanship: under normal installation, use, service, and maintenance, if the product or any of its components prove to be defective due to improper workmanship or materials, SUMERAIN will, at its discretion, provide free replacement parts or replace the entire product.

FINISH WARRANTY

Customers are responsible for thoroughly inspecting the product for any material or finish defects within three days of receiving it. Please note that SUMERAIN does not cover surface finish defects under warranty once the fixture has been installed.

ELECTRONIC FAUCETS WARRANTY

SUMERAIN guarantees its LED components, including electronic faucets, valves, controllers, and battery-powered devices, against material and manufacturing defects for one year from the date of purchase, under normal use. The water flow impeller power device (LED faucet power generation device) is guaranteed to be free from manufacturing defects for the first three months from the date of purchase.

LENGTH OF WARRANTY

As stated in the following, any replacement or repaired parts of the product will be covered for the duration of this warranty, which SUMERAIN provides for a period of 1 year from the original date of purchase.

CIRCUMSTANCES THAT SUMERAIN WILL NOT WARRANT AND PAY FOR:

- A. Conditions, malfunctions, or damage that do not result from defects in material or workmanship.
- B. Conditions, malfunctions, or damage resulting from normal wear and tear, improper installation, improper maintenance, misuse, abuse, negligence, accidents, alterations, or the use of abrasive or caustic cleaning agents, "no-rinse" cleaning products, or the product in a manner contrary to the provided instructions. This includes home conditions such as excessive water pressure or corrosion.
- C. Labor or other expenses associated with disconnection, deinstallation, or return of the product for warranty service, as well as installation or reinstallation of the product.
- D. Accessories, connected materials, and products (including but not limited to hand shower flexible hose, spray flexible hose, hand shower, shower head), or related products that are not manufactured by SUMERAIN.

TO OBTAIN WARRANTY PARTS OR INFORMATION

To obtain warranty parts or information professionally, please follow the steps below:

Contact your SUMERAIN retailer or dial the technical service phone number at +1-866-203-0866, or send an email to supports@sumerain.com.

When applying for warranty service, you will need to provide the following information:

- a. Sales receipt or other evidence of purchase date and platform.
- b. Detailed description of the problem.
- c. Ship the product or defective parts to the designated Sumerain warehouse in the United States with prepaid postage. Please ensure careful packaging and insurance of the items. Once the warranty service is completed, any repaired or replaced products or parts will be shipped back to you with prepaid postage.

If you have any further questions or need additional assistance, please contact the provided contact information.

EXCLUSIONS & LIMITATIONS

Pursuant to the terms of this warranty, repair, replacement (or, in limited circumstances, refund of the purchase price) shall be the sole remedy available to the purchaser. SUMERAIN assumes no obligations or liabilities and does not authorize any individual to create obligations or liabilities in relation to this product. SUMERAIN shall not be held liable to the purchaser or any party for any incidental, special, or consequential damages resulting from a breach of this warranty or any implied warranties (including merchantability). Please note that certain states do not allow the exclusion or limitation of incidental or consequential damages, therefore the aforementioned limitation or exclusion may not apply to you. This warranty grants you specific legal rights, and you may also have additional rights that vary from state to state. Before initiating any legal proceedings against us under the Magnuson-Moss Warranty Act, you may be legally required to provide us with a reasonable opportunity to rectify or resolve any non-compliance.

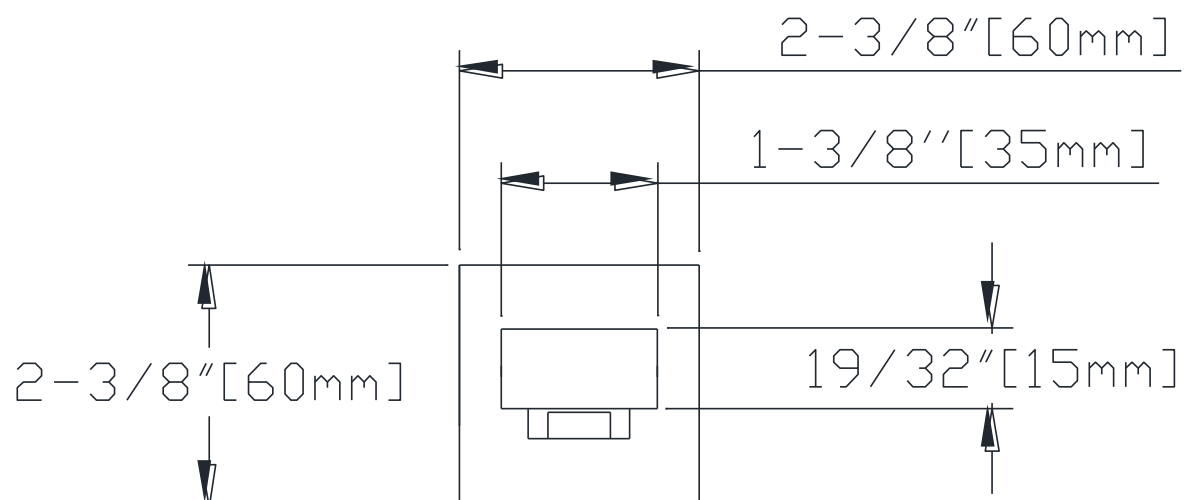
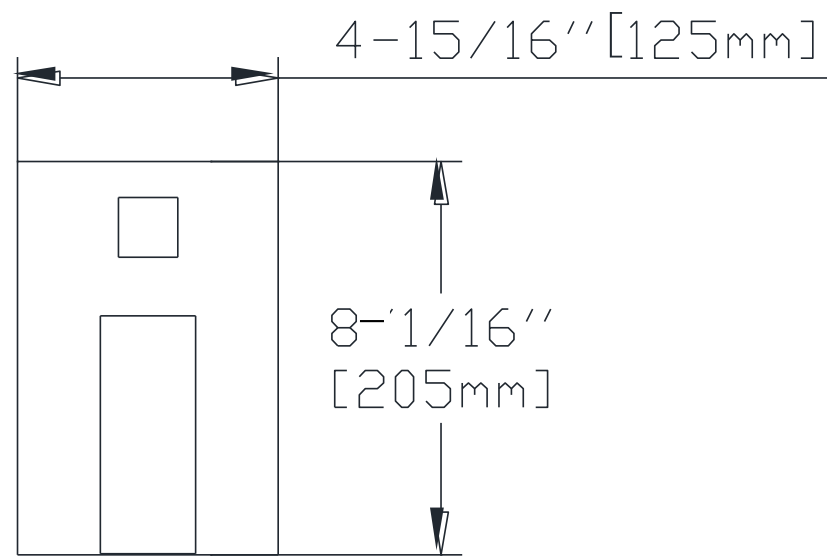
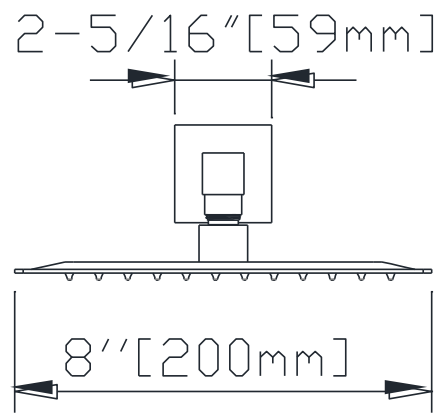
PRODUCT INSTRUCTIONS & QUESTIONS

Prior to installation, we strongly recommend conducting a meticulous inspection of your SUMERAIN product to identify any potential damage or visible defects. It is crucial to thoroughly review the accompanying instructions regarding the correct installation, maintenance, and care procedures for the product. Should you have any inquiries regarding the utilization, installation, performance, or this warranty of your SUMERAIN product, please don't hesitate to reach out to us at +1-866-2030-866 or via email at supports@sumerain.com. Our dedicated team is readily available to provide professional assistance and address any concerns you may have.

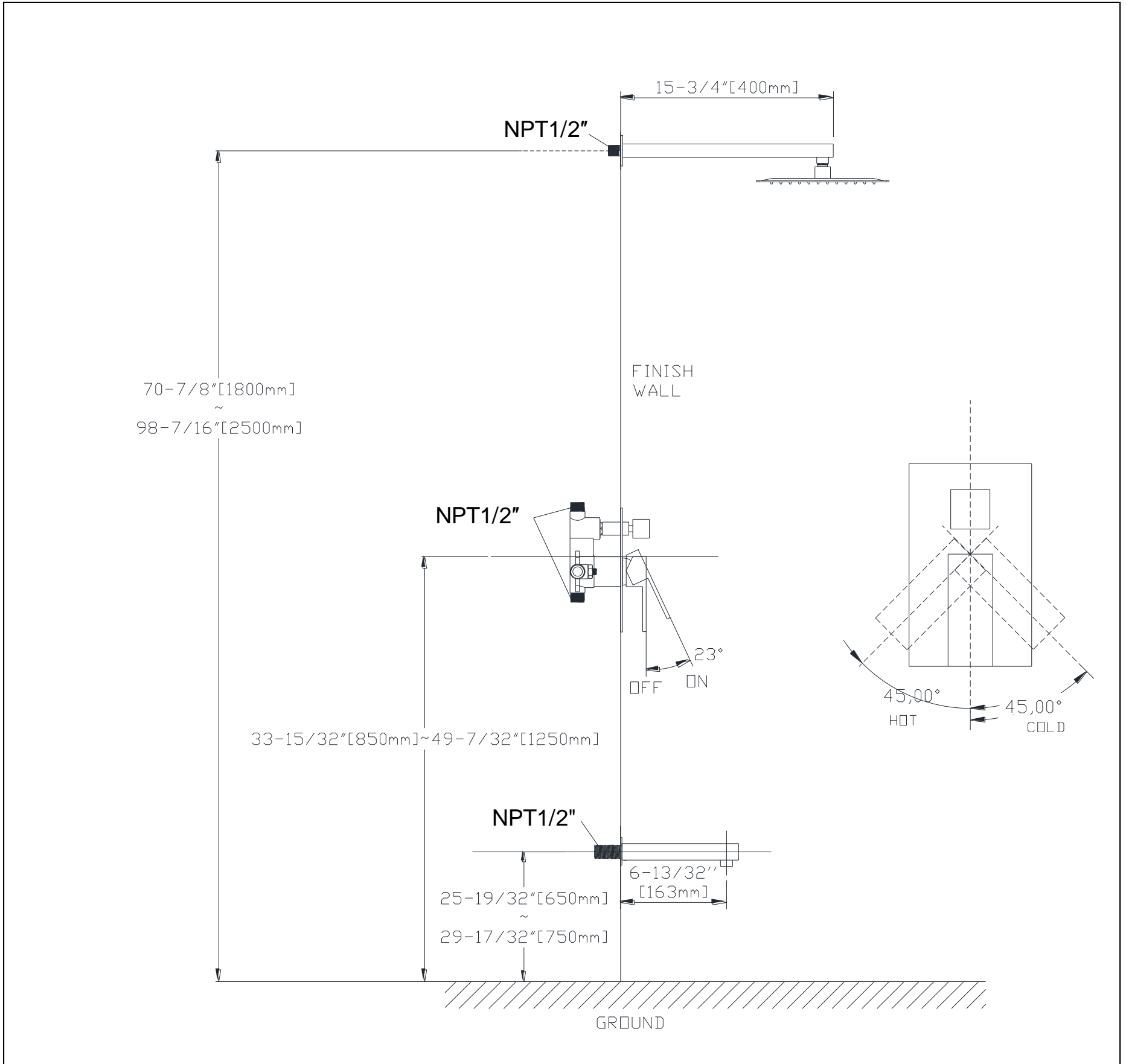
FUNCTIONS AND SPECIFICATION

Faucet Type	Tub & Shower Faucet
Theme	Modern, Contemporary
Mounting Type	Wall Mount
Number of Handles	One
Handles Material	Metal
Handle Style	Lever
Shower Arm Reach	15-3/4 Inch [400mm]
Showerhead Width	8 Inch [200mm]
Showerhead Length	8 Inch [200mm]
Valve Type	Pressure Balance Valve
Faucet Body Material	Brass
Escutcheon Material	Brass
Diverter Included	Yes
Diverter Location	Rough-in Valve
Showerhead Type	Rain Shower
Showerhead Shape	8" Square
Showerhead Function	Single Function
Showerhead Material	SUS304 Stainless Steel
Showerhead Flow Rate	1.8 GPM [6.81L/M]
Tub Spout Material	Brass
Tub Spout Reach	6-13/32Inch [163mm]
Tub Spout Width	1-3/8 Inch [35mm]
Recommend Working Water Pressure	43.5PSI~101.5PSI [0.3MPa~0.7MPa]
Net Weight	9.15lbs [4.15KG]
Gross Weight	7.23lbs [3.28KG]
Packing Box [L x W x H]	19-11/16"[500mm]x13-9/16"[345mm]x5-5/16"[135mm]

DIMENSION



FRONT VIEW OF SHOWER



SIDE VIEW OF SHOWER

INSTALLATION STEPS

1. BEFORE PROCEEDING



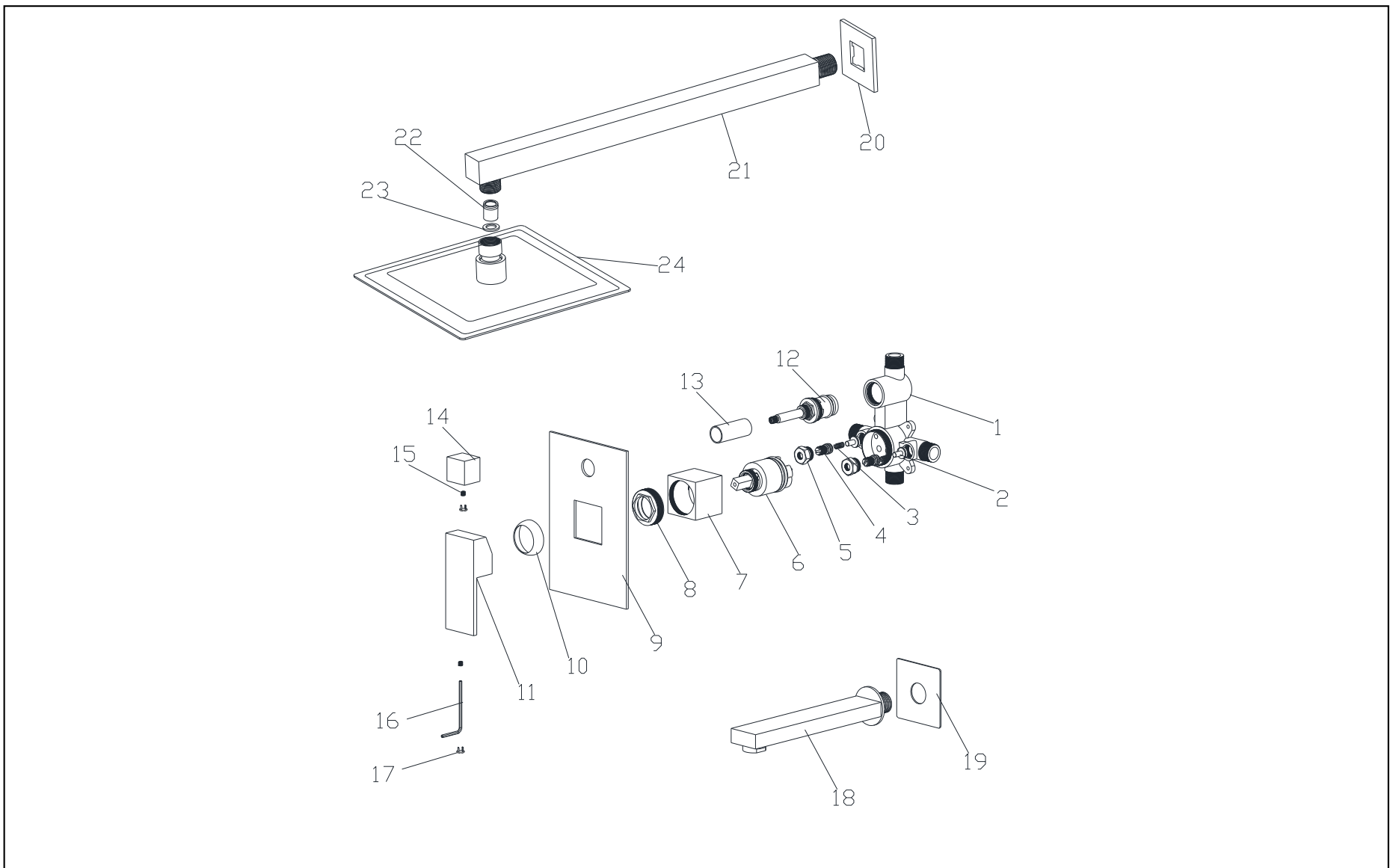
WARNING: Before proceeding with any operation, please read all instructions thoroughly. If you are uncertain about installing this product, please consult a professional! This product should be installed in accordance with all local and state plumbing and building codes. It is recommended to seek professional assistance.

2. SHUT OFF WATER SUPPLY

Locate the water supply inlets and shut off the corresponding water supply valves, typically found near the water meter. If replacing an existing unit, remove the old unit and thoroughly clean the mounting surface.

3. CHECKING THE CONTENTS OF THE BOX

When opening the box, check to ensure that all the following items are included.



NO	ITEM NAME	MATERIAL	QTY	PART NO.	NO	ITEM NAME	MATERIAL	QTY	PART NO.
1	Rough-in Valve	HPB59-1	1	PVB32260PB	13	Diverter Sleeve	HPB59-1	1	PSL32181XX
2	Check Valve	HPB59-1	2	PSA32100PB	14	Diverter Knob	Zn alloy No.3	1	PHD00001XX
3	Spring	SUS304	2	PSA32101XX	15	Set Screw	SUS304	2	PSC05050XX
4	Check Valve Screw	HPB59-1	2	PSC32100PB	16	Allen Wrench 2.5mm	Fe45#	1	PSA00003XX
5	Check Valve Nut	HPB59-1	2	PNT32100XX	17	Screw Cover	ABS	2	PSA00002XX
6	Pressure Balance Cartridge	ASSEMBLE	1	PCT40009XX	18	Spout	ASSEMBLE	1	PSP31320XX
7	Sleeve	HPB59-1	1	PSL32260XX	19	Spout Flange	SUS304	1	PFC31320XX
8	Bonnet	HPB59-1	1	PSC43125PB	20	Shower Arm Flange	Zn alloy No.3	1	PFC32380XX
9	Escutcheon	SUS304	1	PCP32180XX	21	Shower Arm	SUS304	1	PPI32382XX
10	Bonnet Cap	HPB59-1	1	PFC37125XX	22	Check Valve	ASSEMBLE	1	PAE00043XX
11	Handle(lever)	Zn alloy No.3	1	PHD00008XX	23	Rubber Washer	NBR	1	PRW19020XX
12	Diverter Cartridge	ASSEMBLE	1	PCT00001XX	24	Shower Head	ASSEMBLE	1	PTR00001XX

If any of these items are missing, please contact SUMERAIN consumer service by email to: supports@sumerain.com

4. PLANNING AND INSTALLATION INSTRUCTIONS



Attentions: The shower system has to be installed, rinsed and checked in compliance with the applicable regulations in order to guarantee proper shower function!

The dimensions of the shower set-up must be individually.

Operating pressure at the control valve:

Max. 101.5PSI [0.7MPa]. Recommended operating pressure: 43.5PSI [0.3MPa].

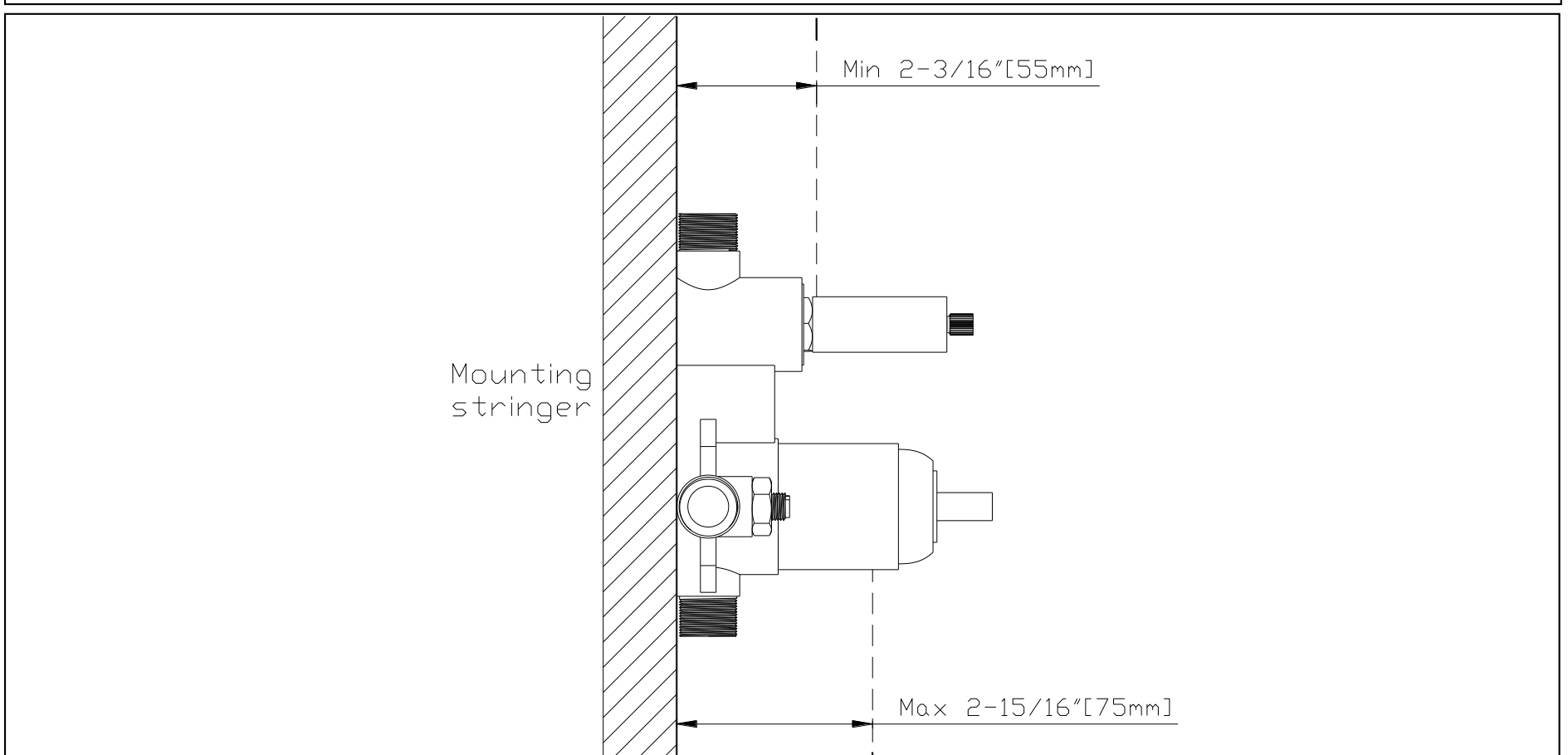
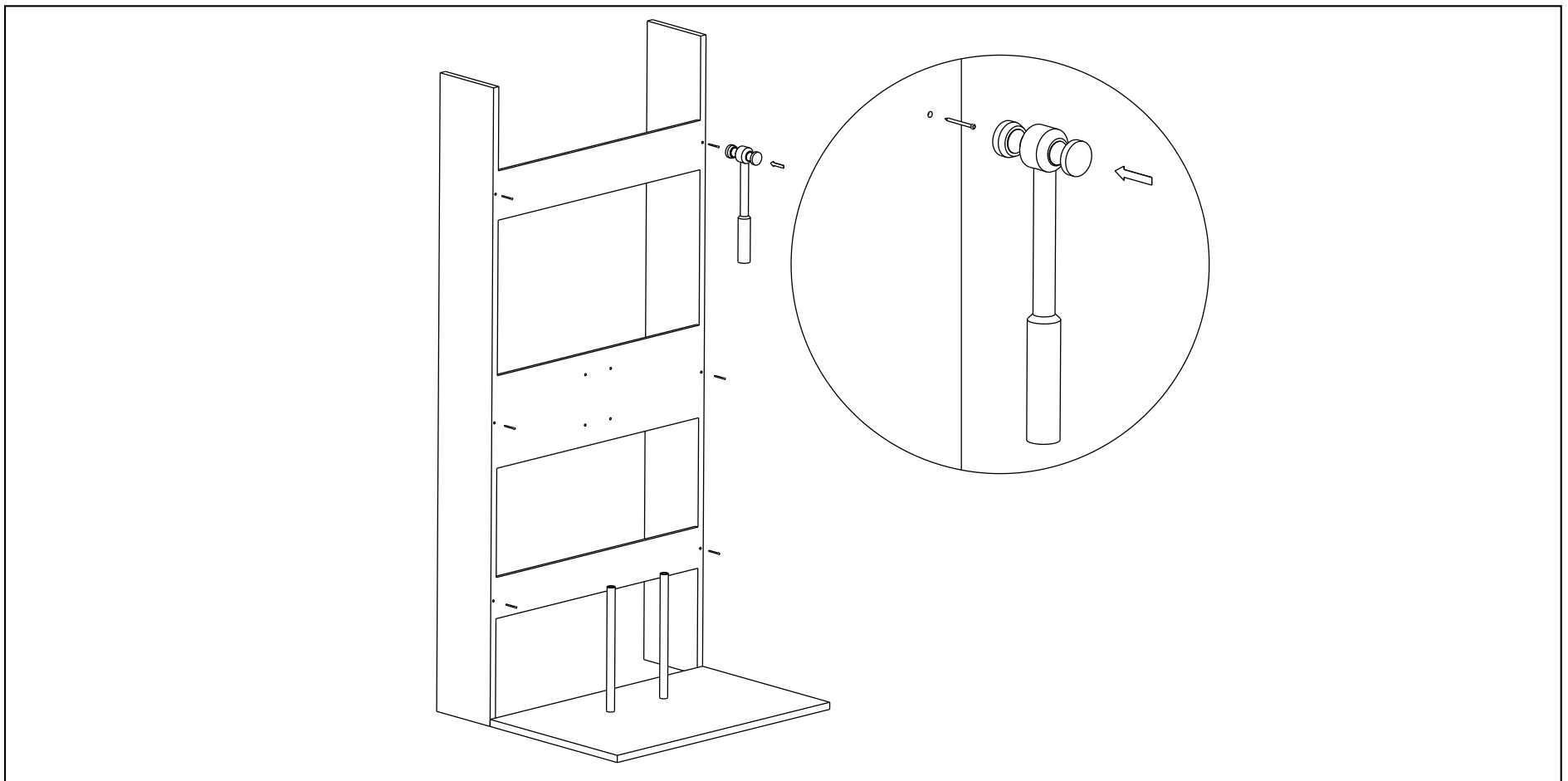
Hot water temperature: Max 140 Fahrenheit [60 degree centigrade].

5. ROUGH-IN VALVE INSTALLATION

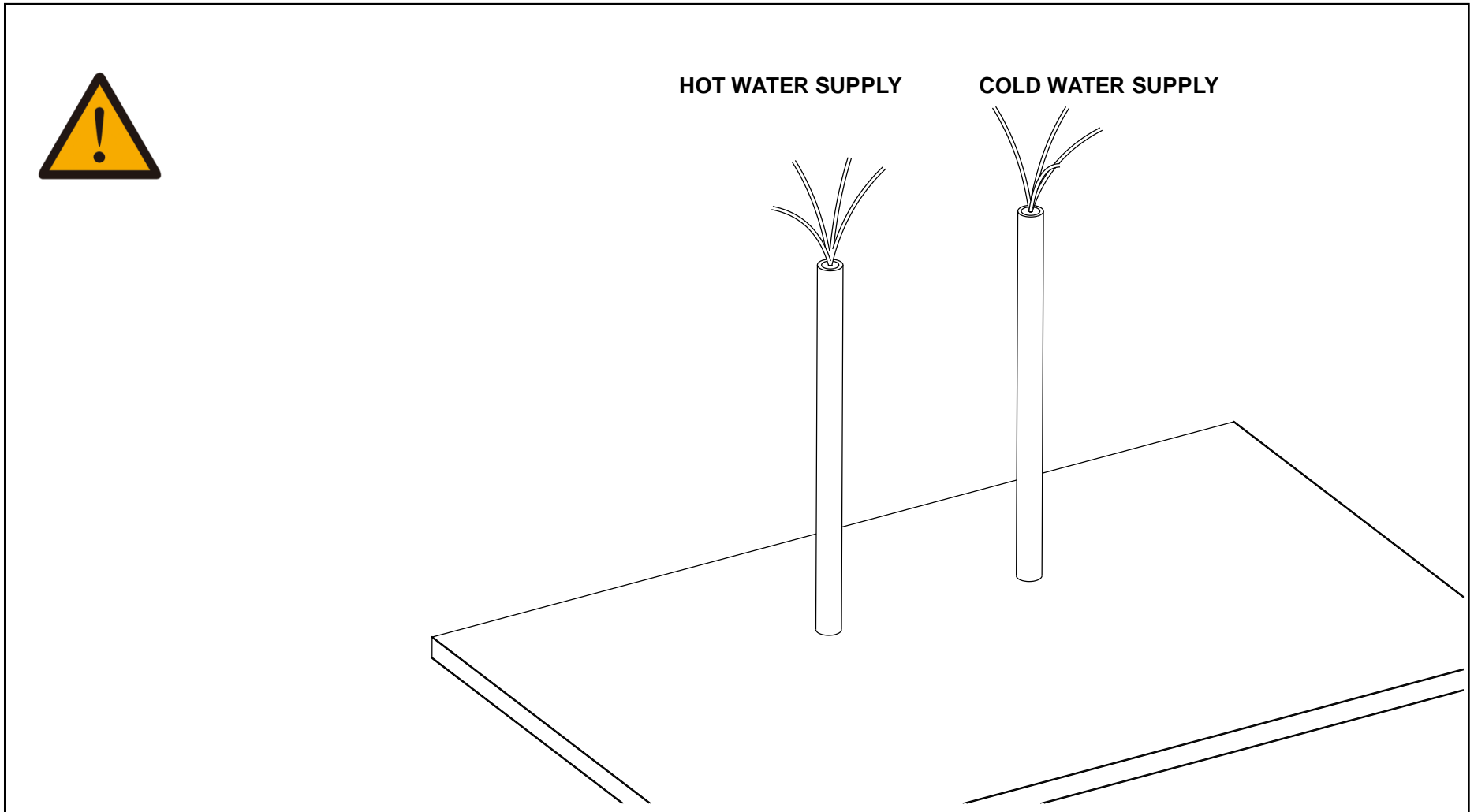
5.1 Use wood to create a mounting stringer. Ensure the wood is sturdy enough to support the rough-in valve. Measure the distance from where the front of the finished wall will be to where the stringer should be placed. This distance should be 2-9/16 inches (65 mm), with a tolerance of $\pm 13/32$ inches (± 10 mm).



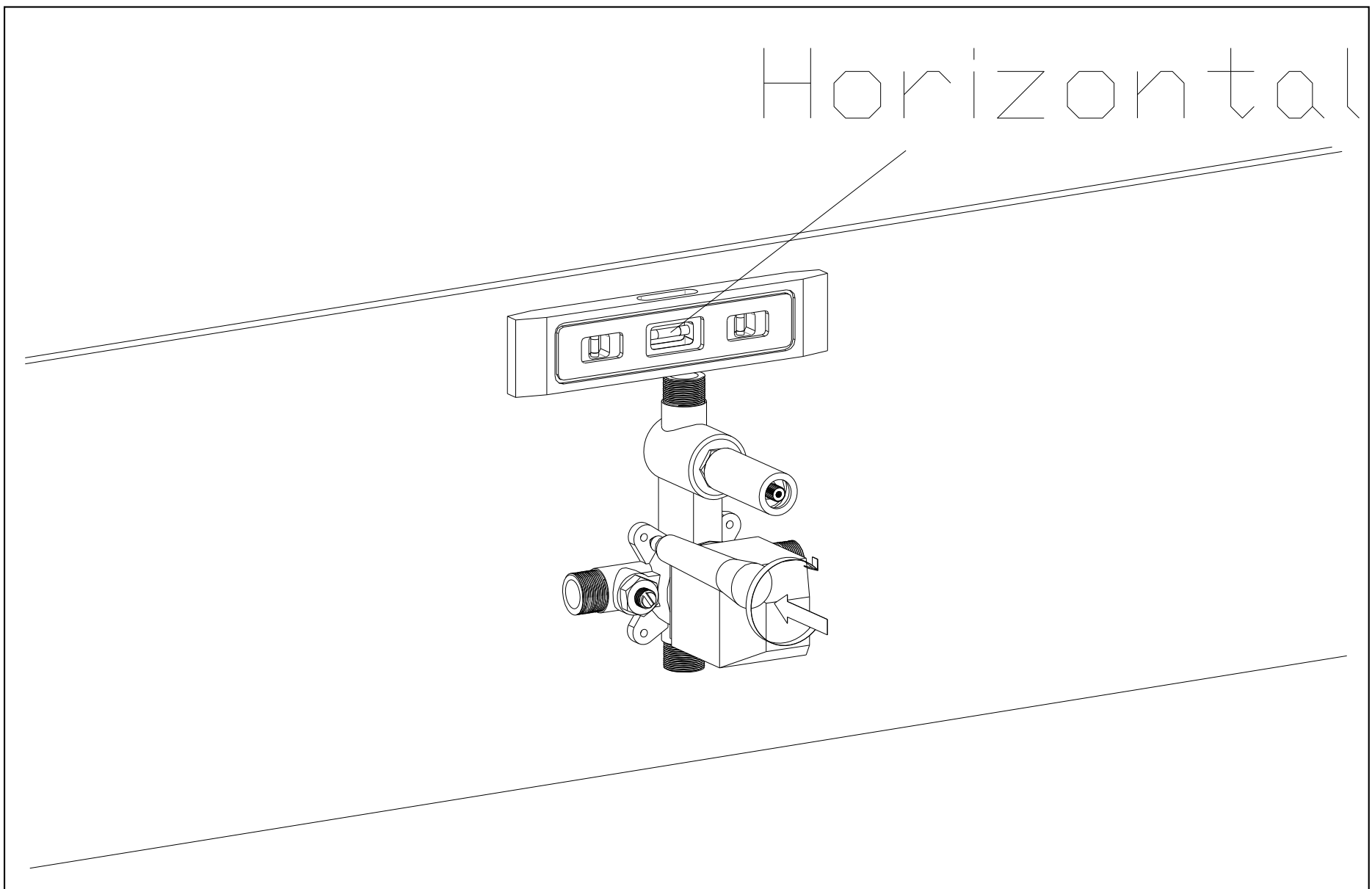
Attentions: out of above distance range may lead to huge cost of reconstruction or customized extension parts!



5.2 Turn on your shut-off valve for cleaning the hot and cold water supply pipe before connect to the valve body, allow the water flush 3~5 minutes to flush out dirt and debris. Shut off the water supply again after finish.



5.3 Locate and level the valve assembly with air level. Mark the mounting hole of rough-in valve on mounting rack.

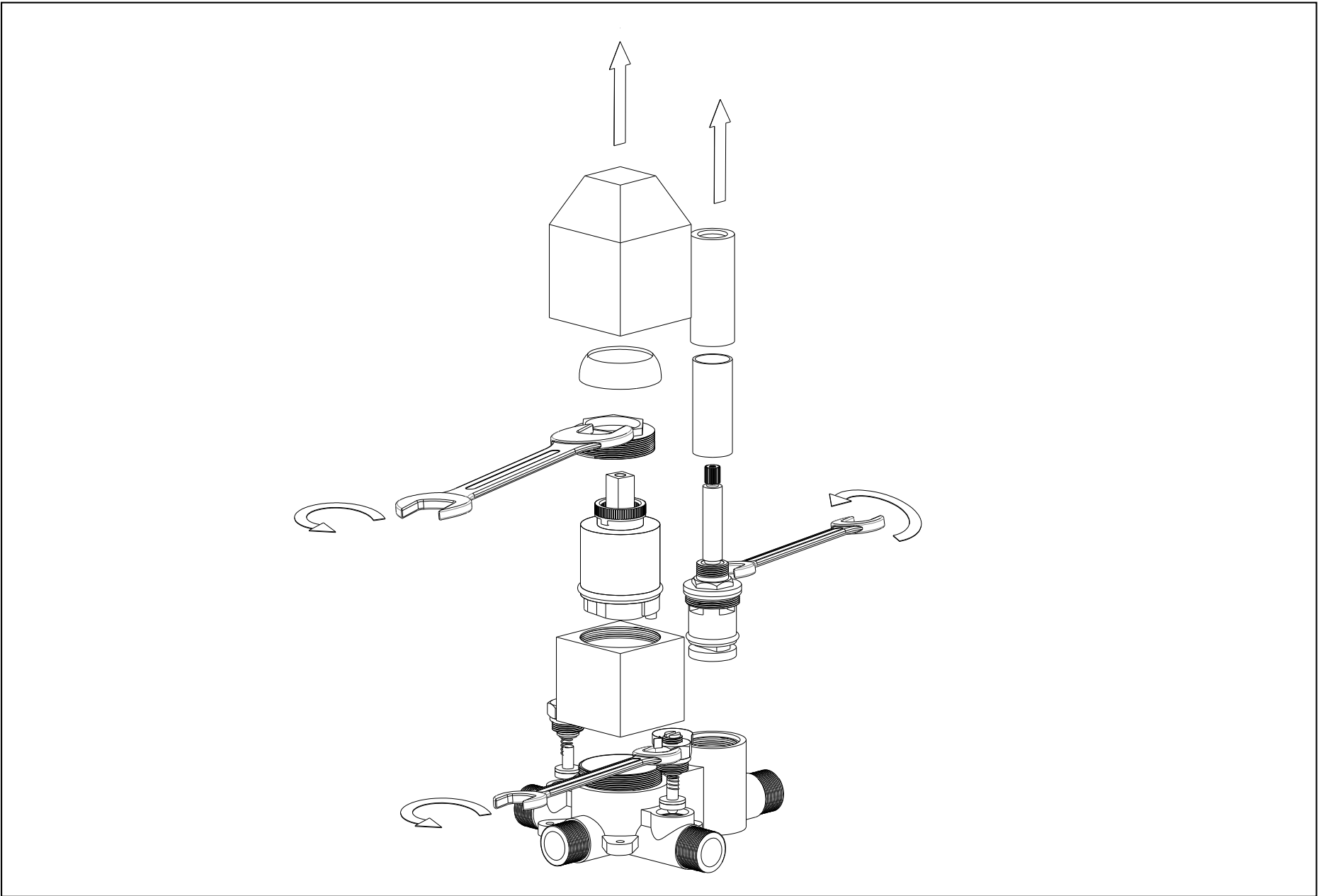


5.4 Connect valve body to water supplies using the proper fittings for your valve body type (copper tubing, iron pipe or PEX).

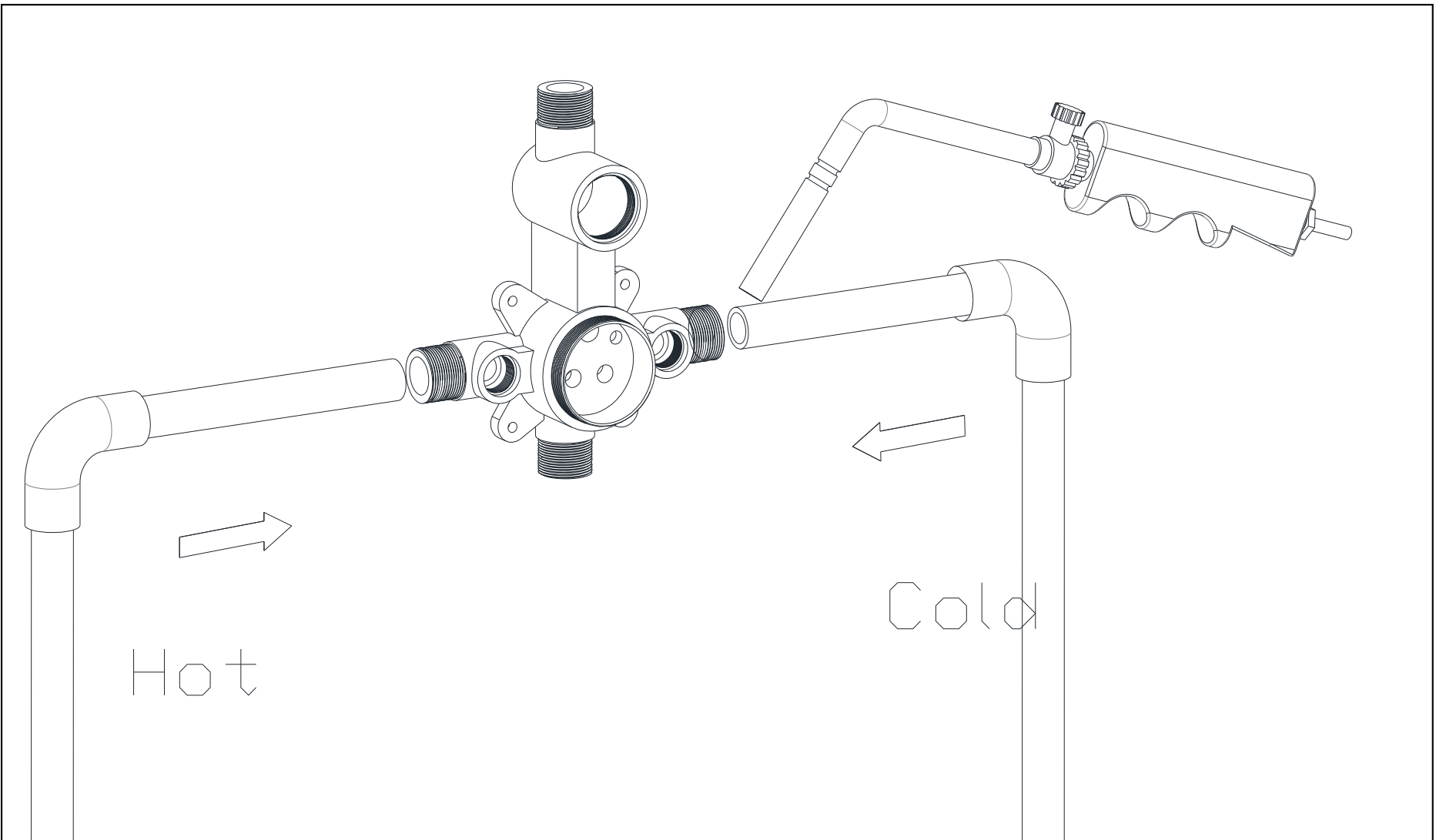
Note: For PEX, be sure to use the right fitting for crimping and the right tool for cold expansion.

We take copper tubing as example:

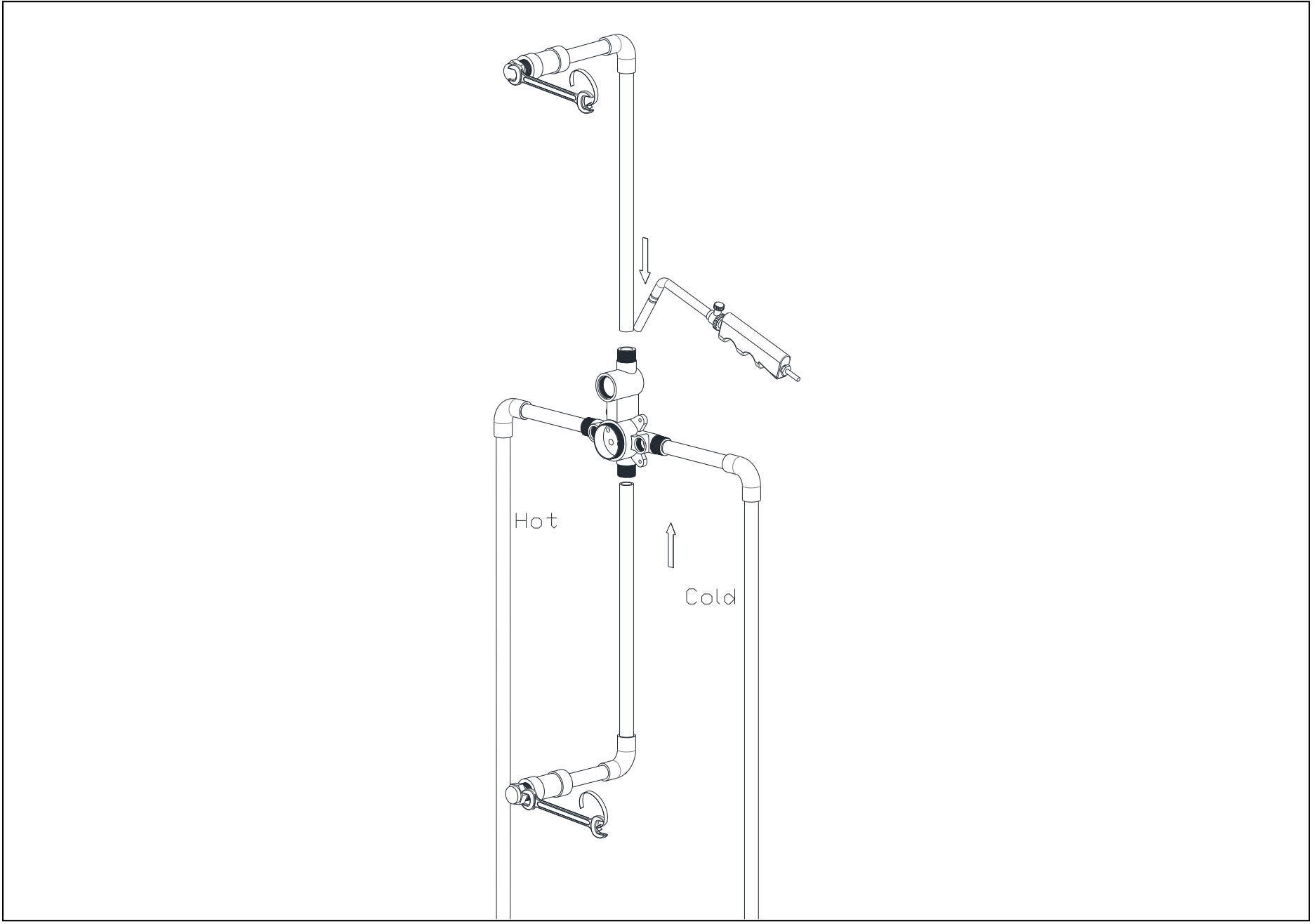
5.4.1(a) Remove the pressure balance cartridge, diverter cartridge and check-in valve from valve body before soldering.



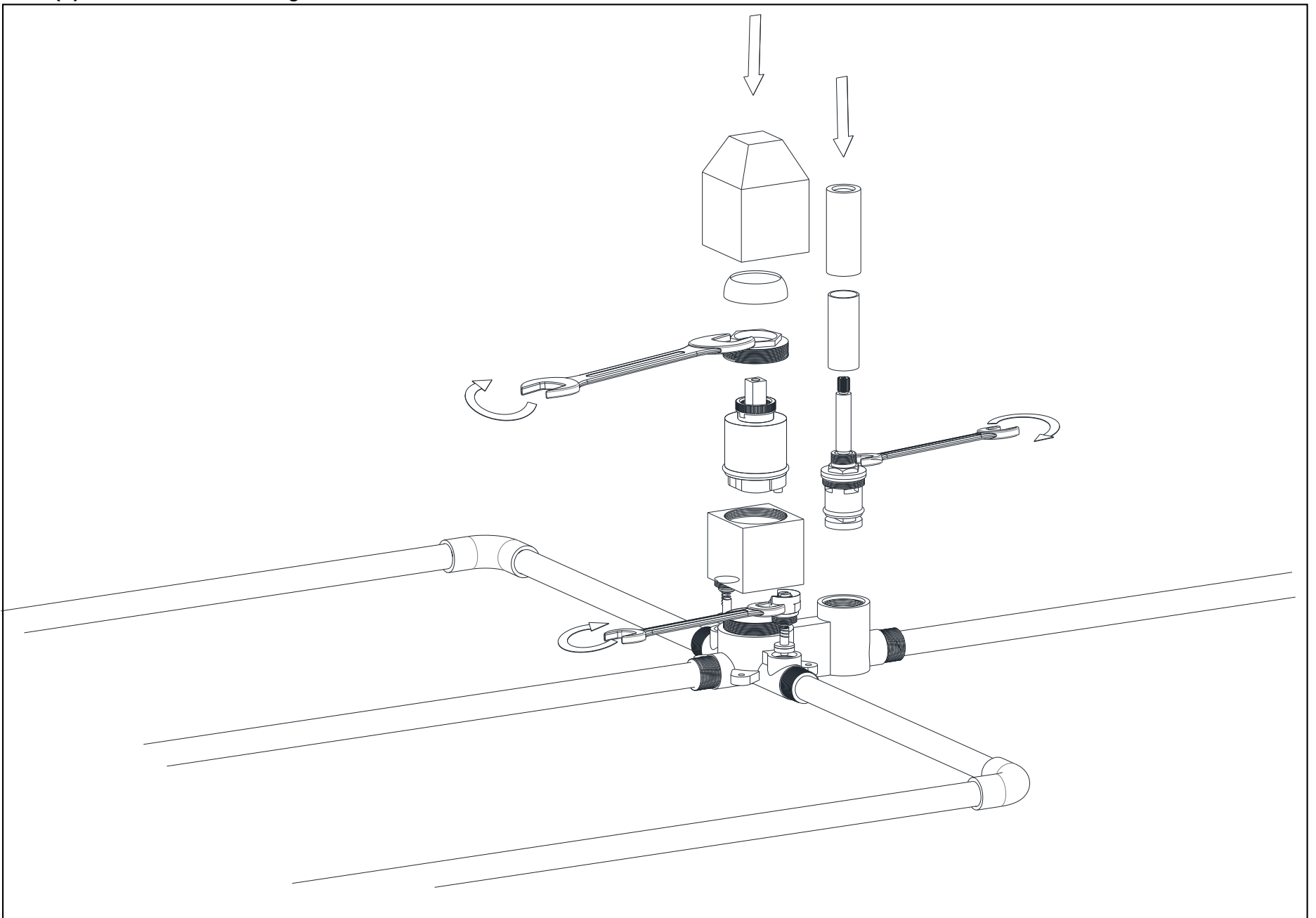
5.4.2(a) Soldering the copper tubing to the valve body's hot water and cold water inlet.



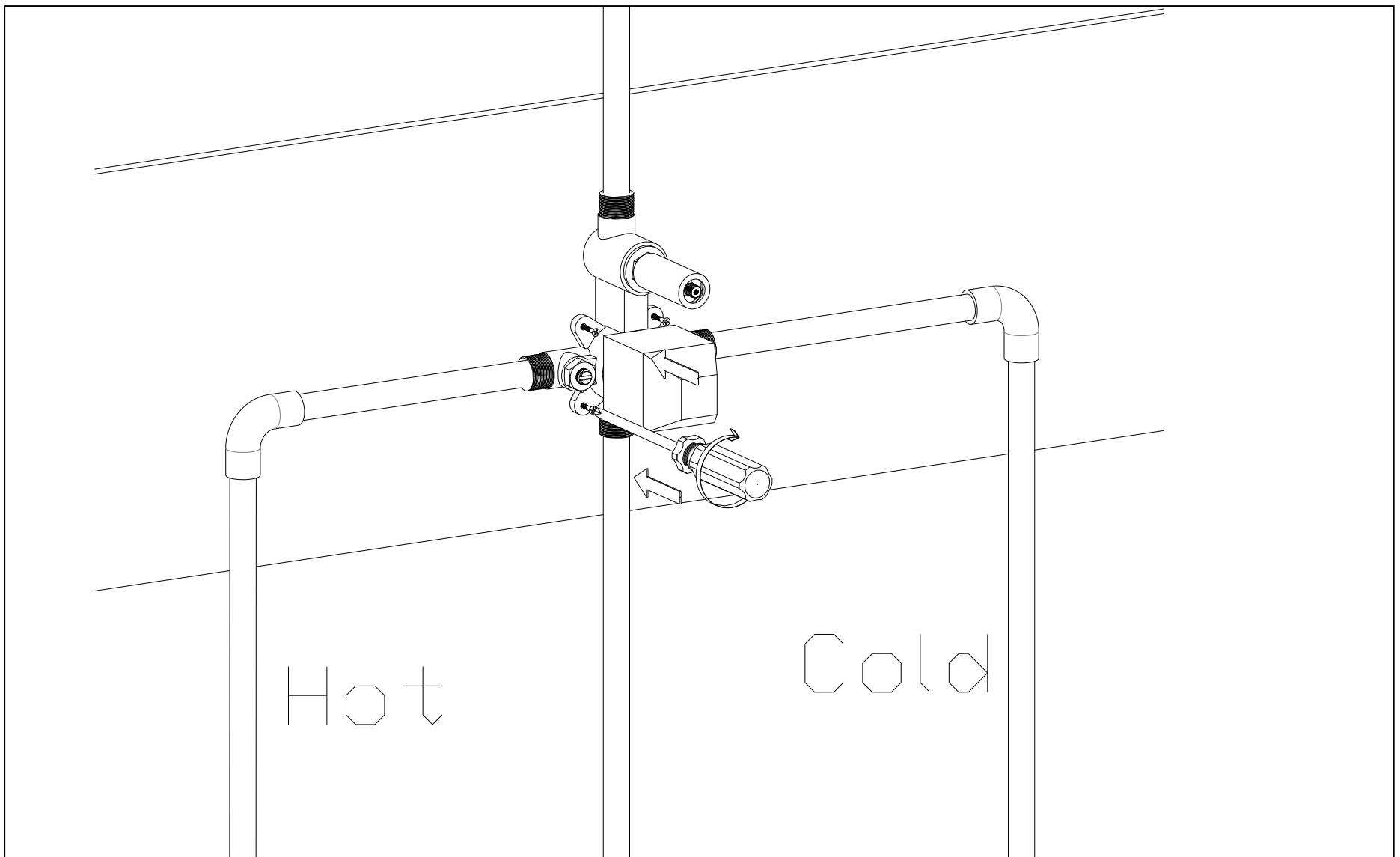
5.4.3(a) Soldering the copper tubing to the top shower outlet and bottom outlet of the valve body, and then tighten the plugs.



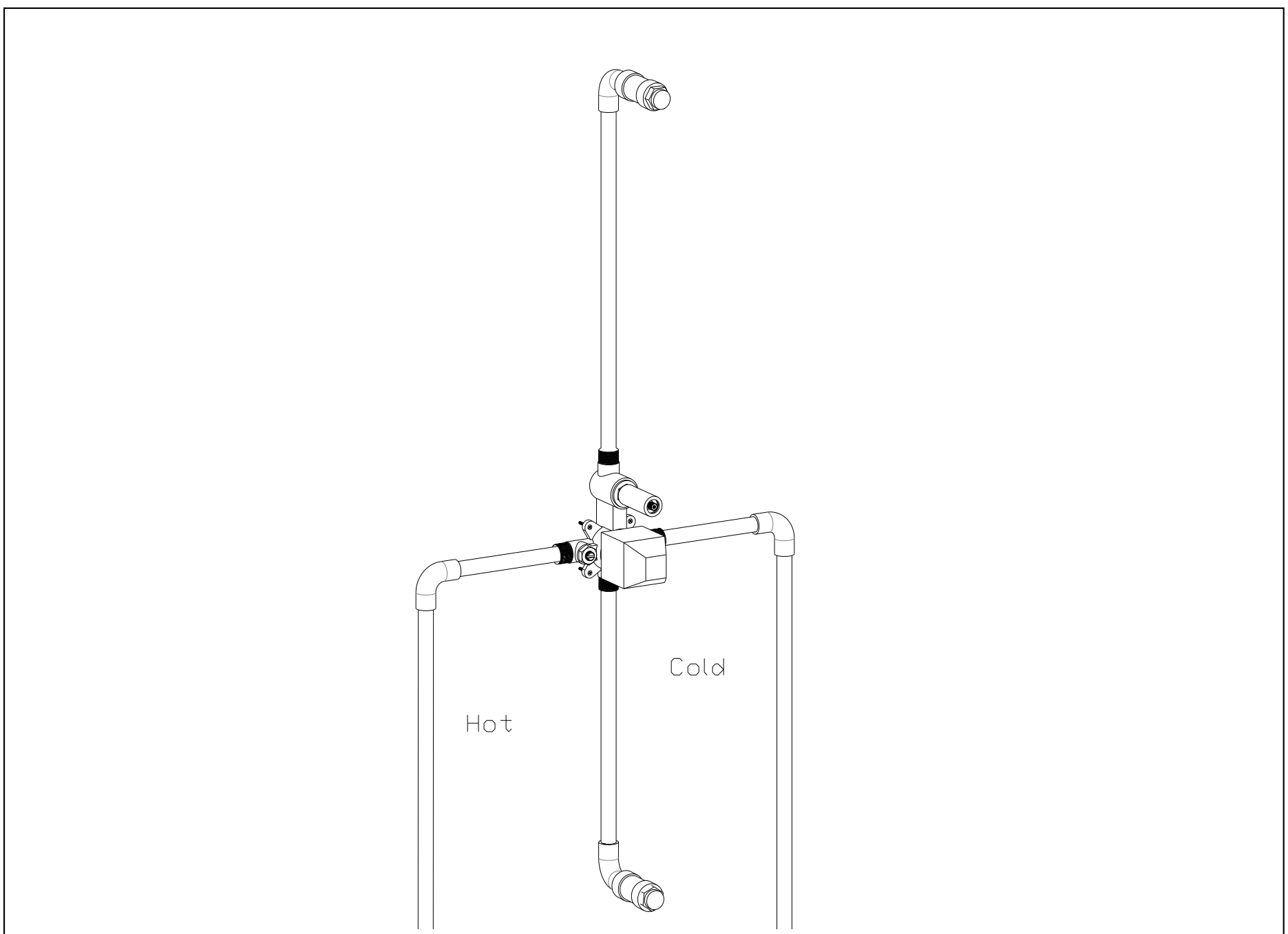
5.4.4(a) Reassemble the rough-in valve.



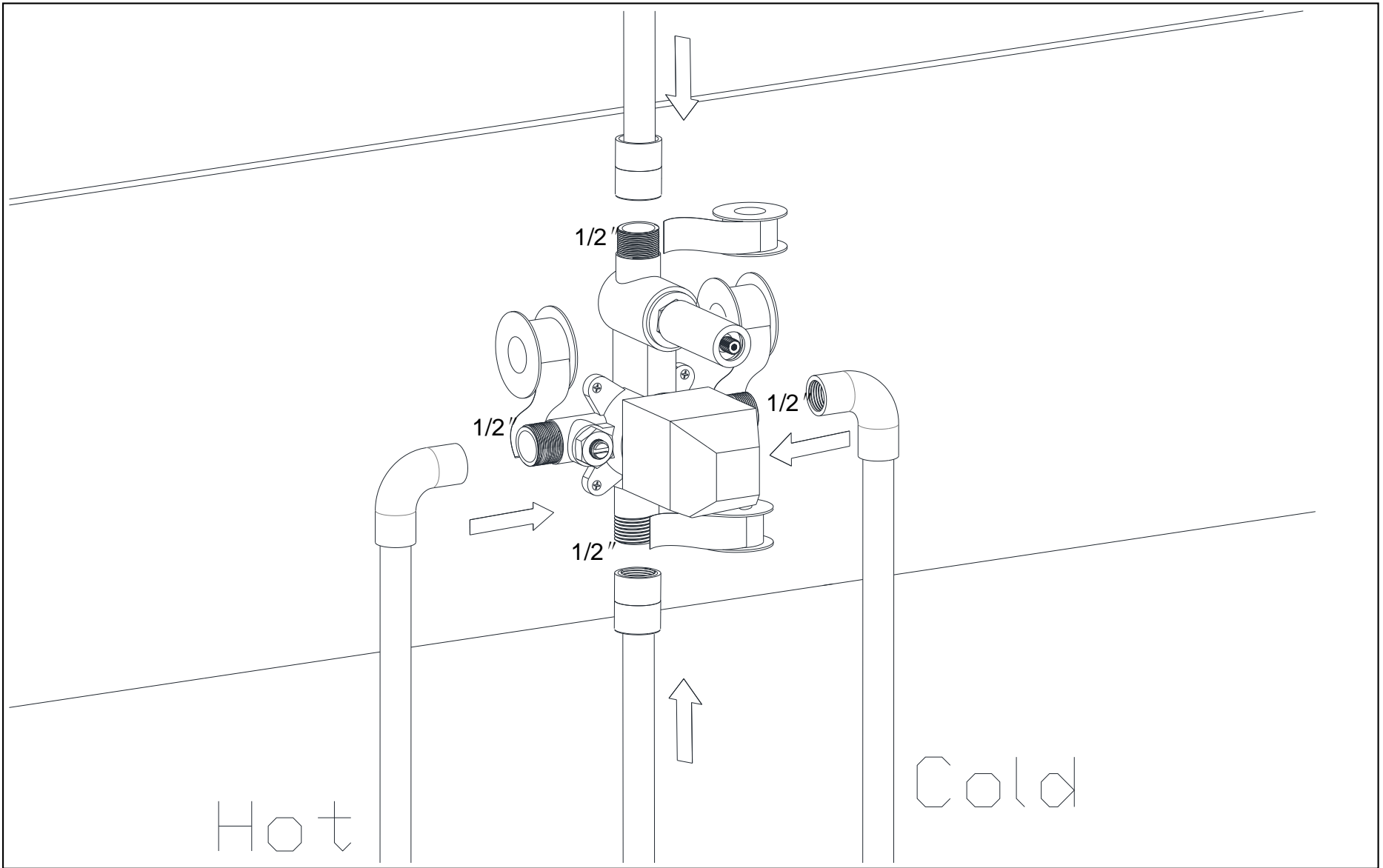
5.4.5(a) Locate and level the valve assembly and secure to the mounting bracket with screws and anchors.



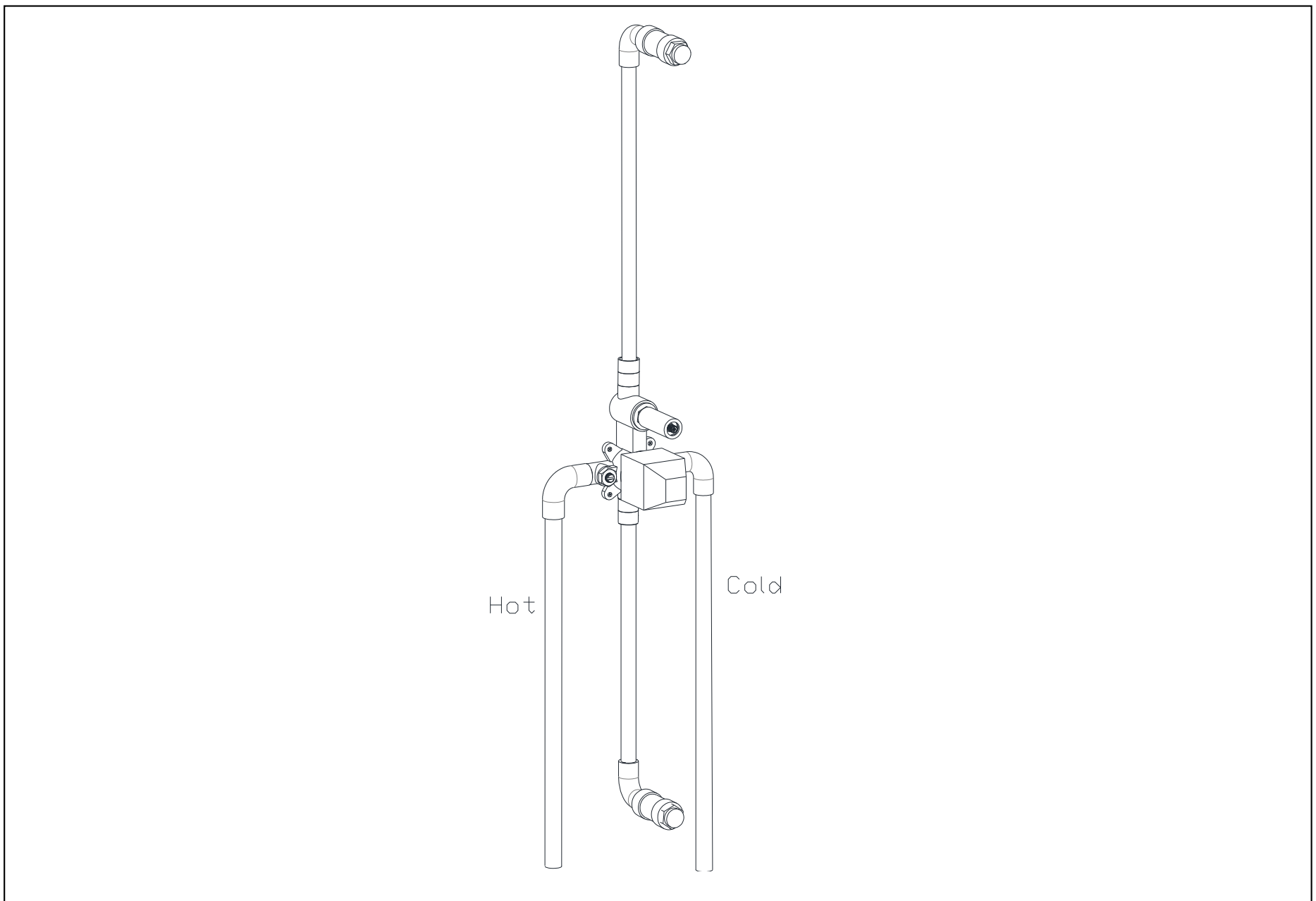
5.4.6(a) Rough-in valve installed finished.



5.4.7(b) If using PEX fittings or PVC fittings, skip steps 5.4.1(a) to 5.4.4(a). There is no need to disassemble the valve body. Apply Teflon tape to the threads of the valve body, and connect it to the supply pipe and shower pipe using PEX fittings. [Hot water on the left, cold water on the right].



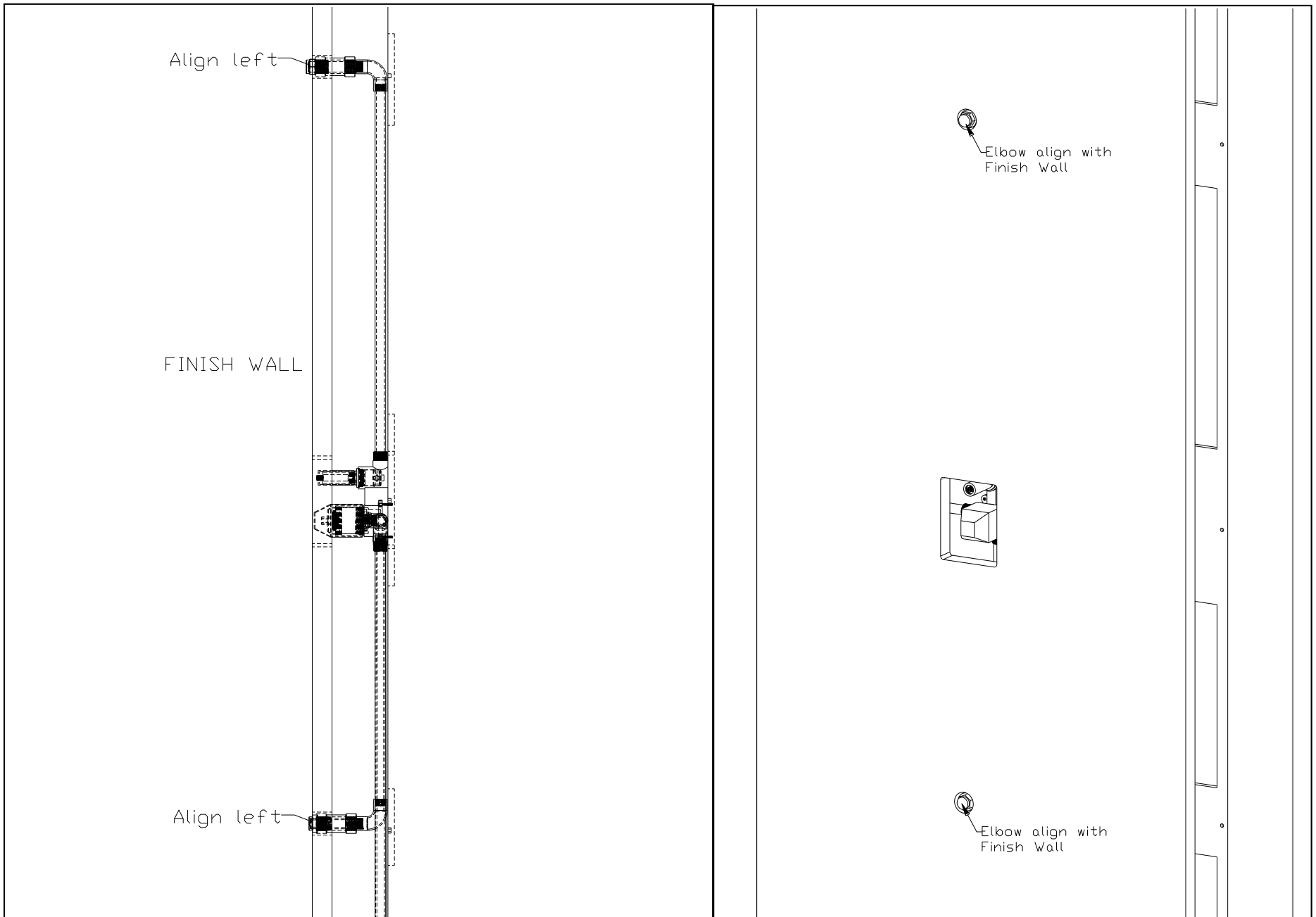
5.4.8(b) Rough-in valve installation finished.



5.4.9 Please align the elbow front face with the finish wall.

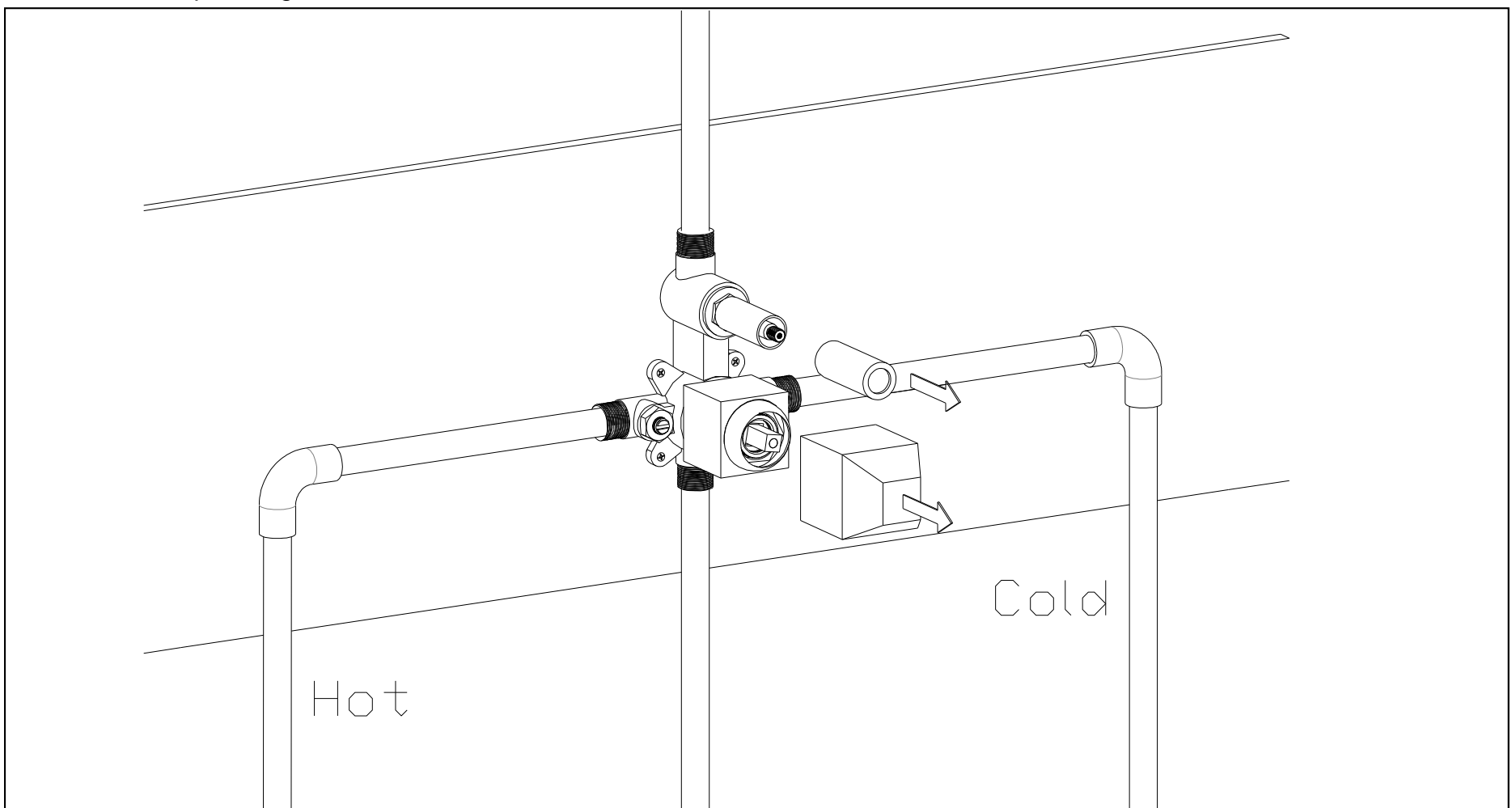


Improper elbow installation depth will lead to leak from connector or has to customize extension parts



6. VALVE TRIM INSTALLATION

6.1 Remove the plaster guard covers and check all connection for leaks.



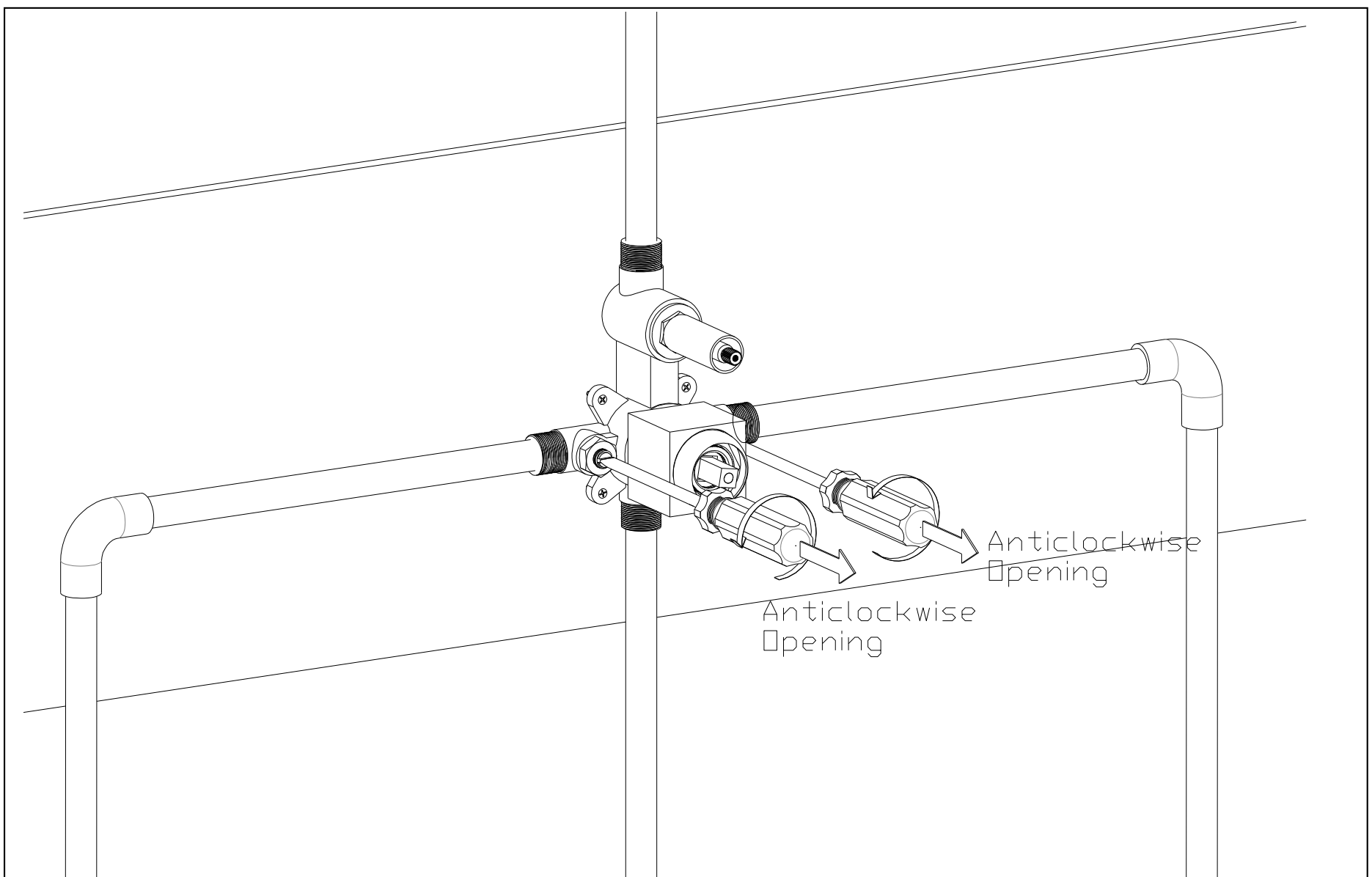
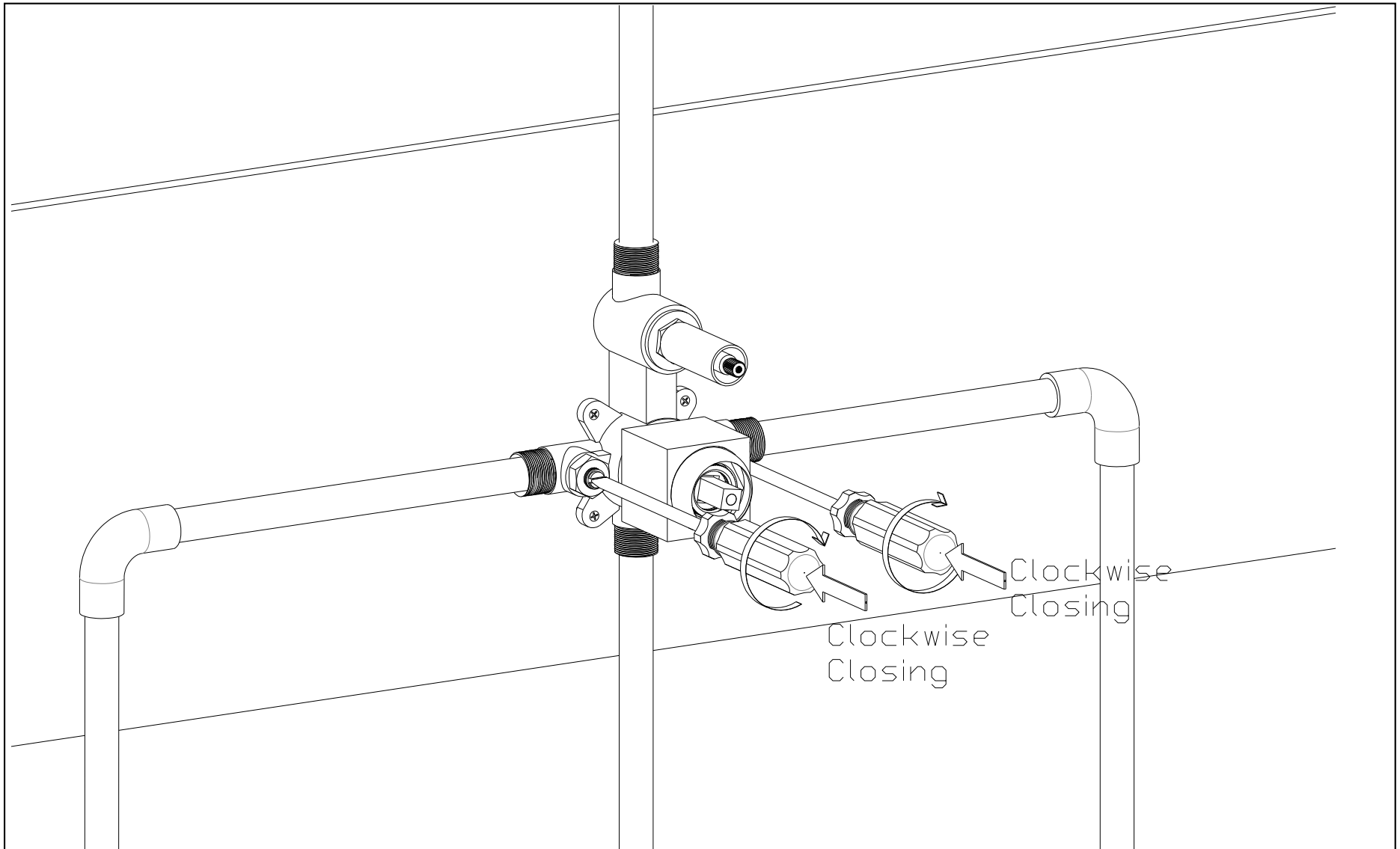
6.2 Pressure testing & flushing the installation.

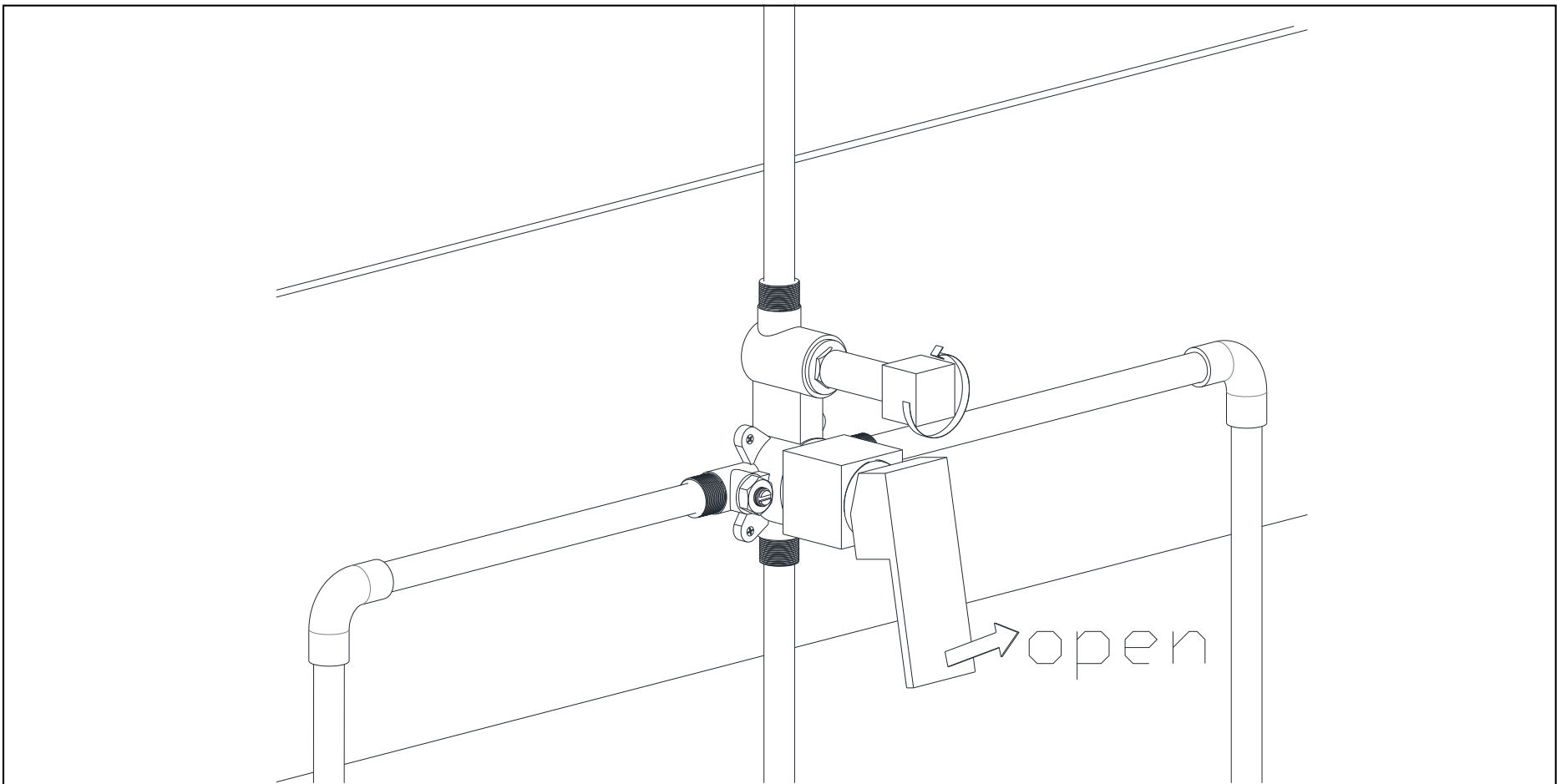
Use appropriate fittings to plug the outlets and check for leaks. After testing, remove the shower plug and flush the system again. Reinstall the plaster guard covers after flushing. Set the check valve to full open.

Note: Use a flathead screwdriver to adjust the stem clockwise to close and anticlockwise to open.

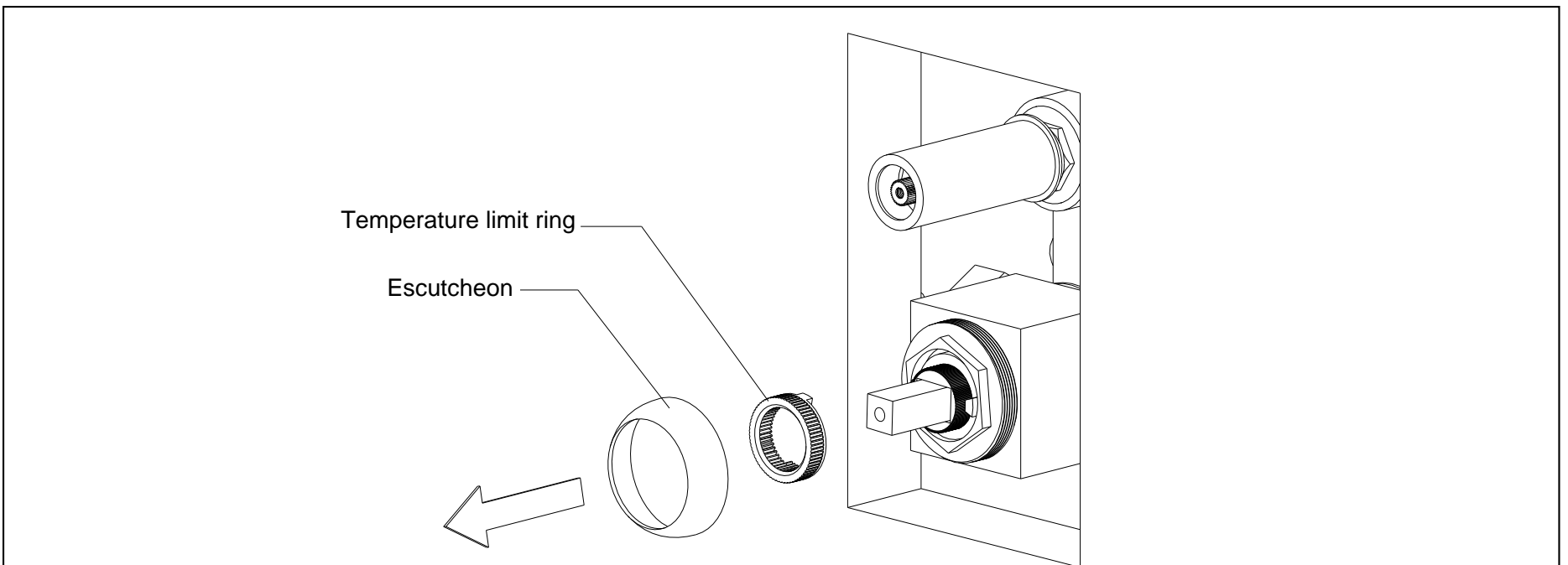


Please shut off your hot and cold water supply again after test.





6.3 Take off the escutcheon and the temperature limit ring from the valve assembly.



6.4 Turn on and adjust the cartridge to achieve desired shower water's maximum temperature.

Anti-scald protection. It is important that the mixer valve is tested regularly to prevent the risk of scalding and guarantee user safety. This can be carried out as follows: with the mixer blend temperature set at 38°C isolate the cold water supply. The outlet flow rate will reduce to a safe level.

Recommended outlet temperatures

We recommend the following set maximum mixed water outlet temperatures for use in all premises:

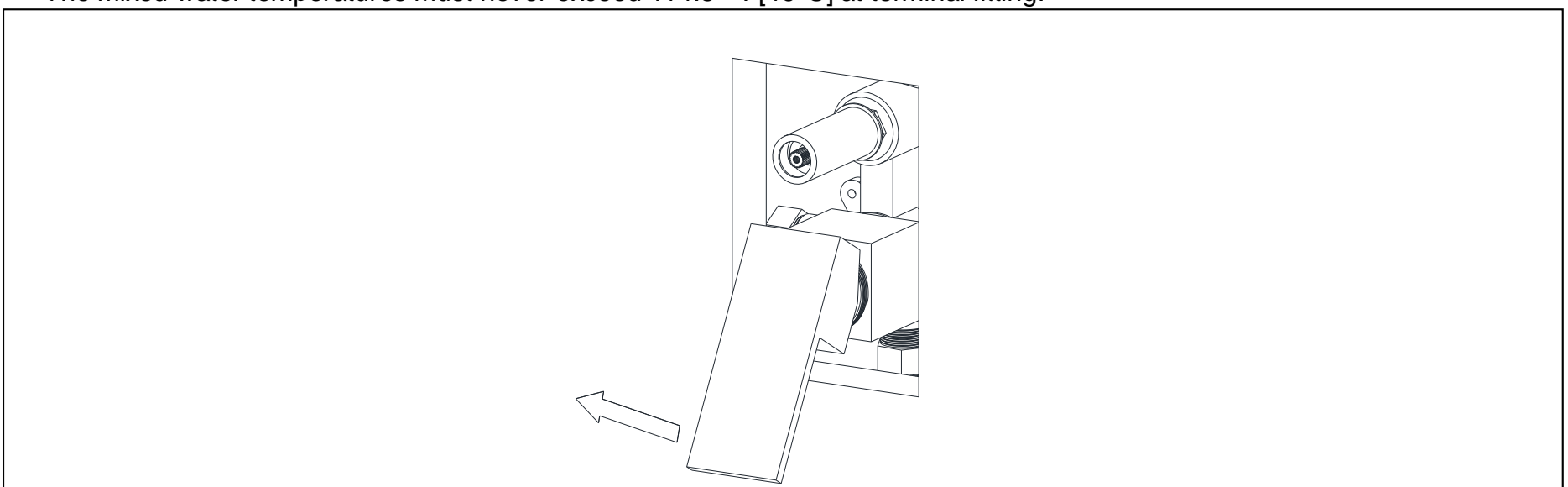
111.2° F [44°C] - for bath fill but see notes below.

105.8° F [41°C] - for showers.

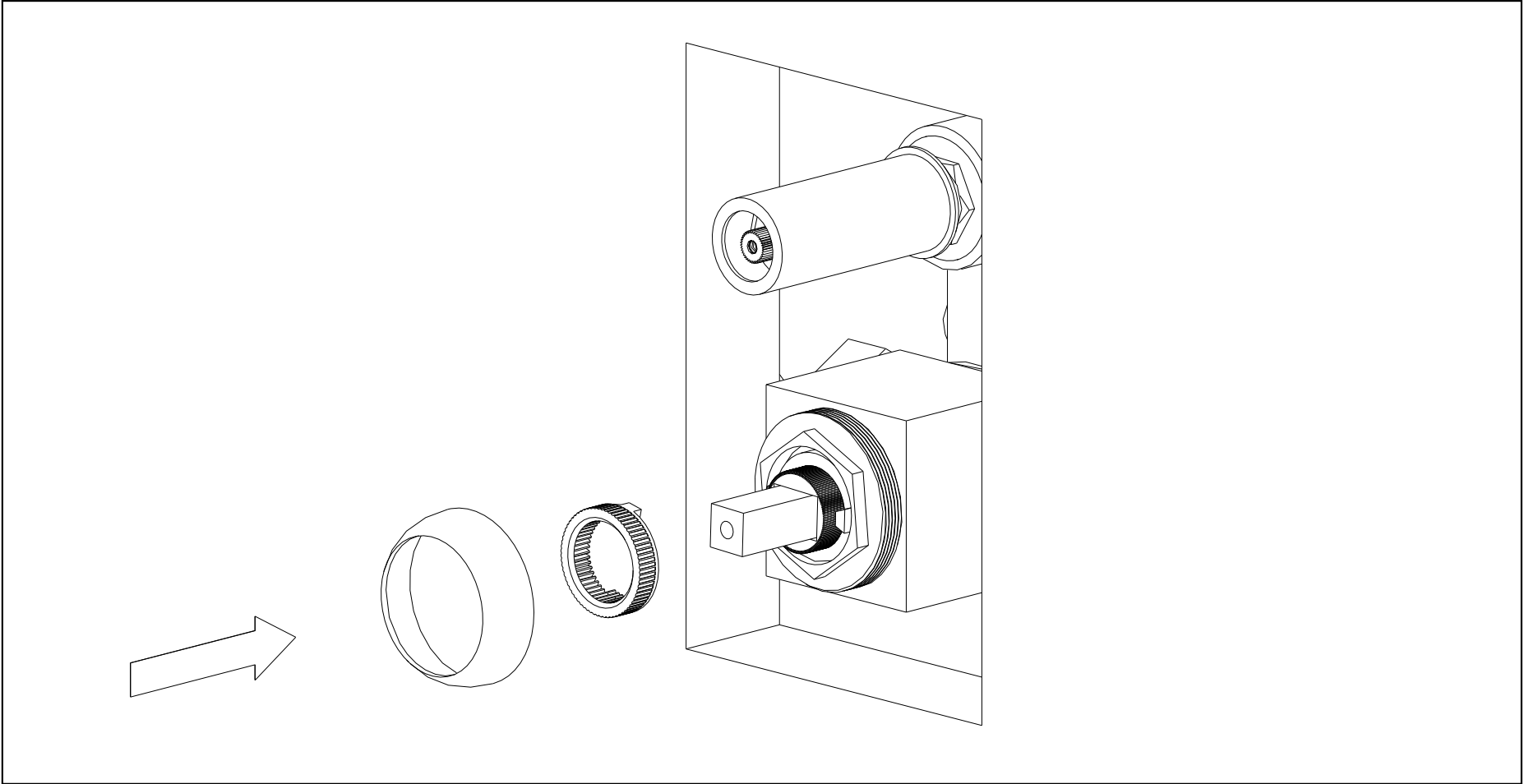
105.8° F [41°C] - for washbasins.

100.4° F [38°C] - for bidets.

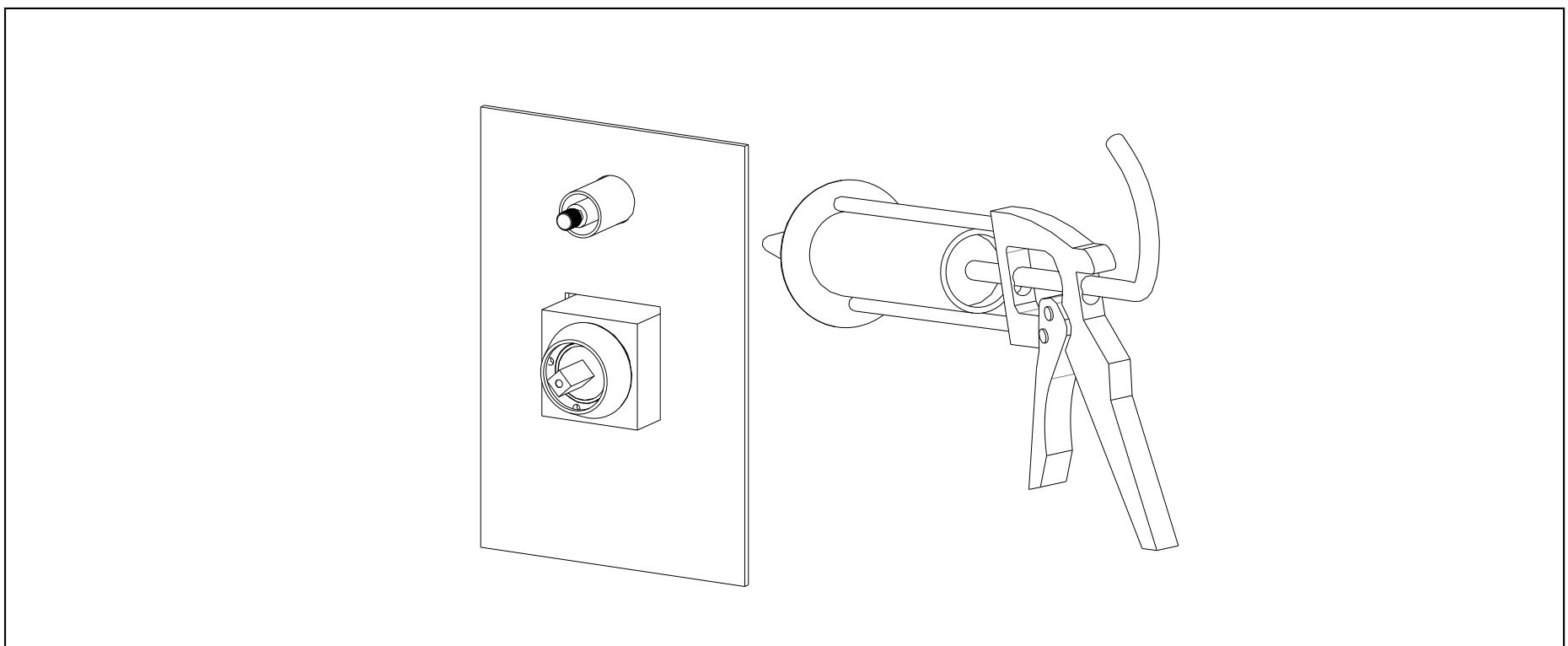
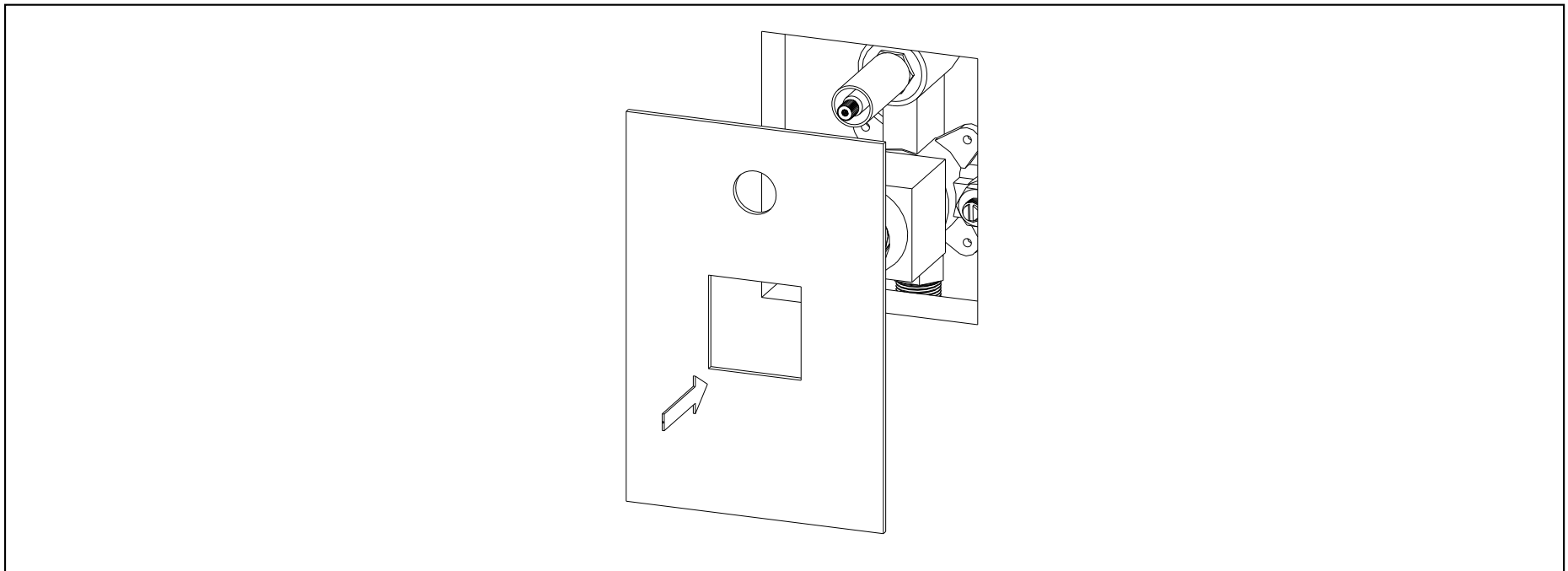
The mixed water temperatures must never exceed 114.8° F [46°C] at terminal fitting.



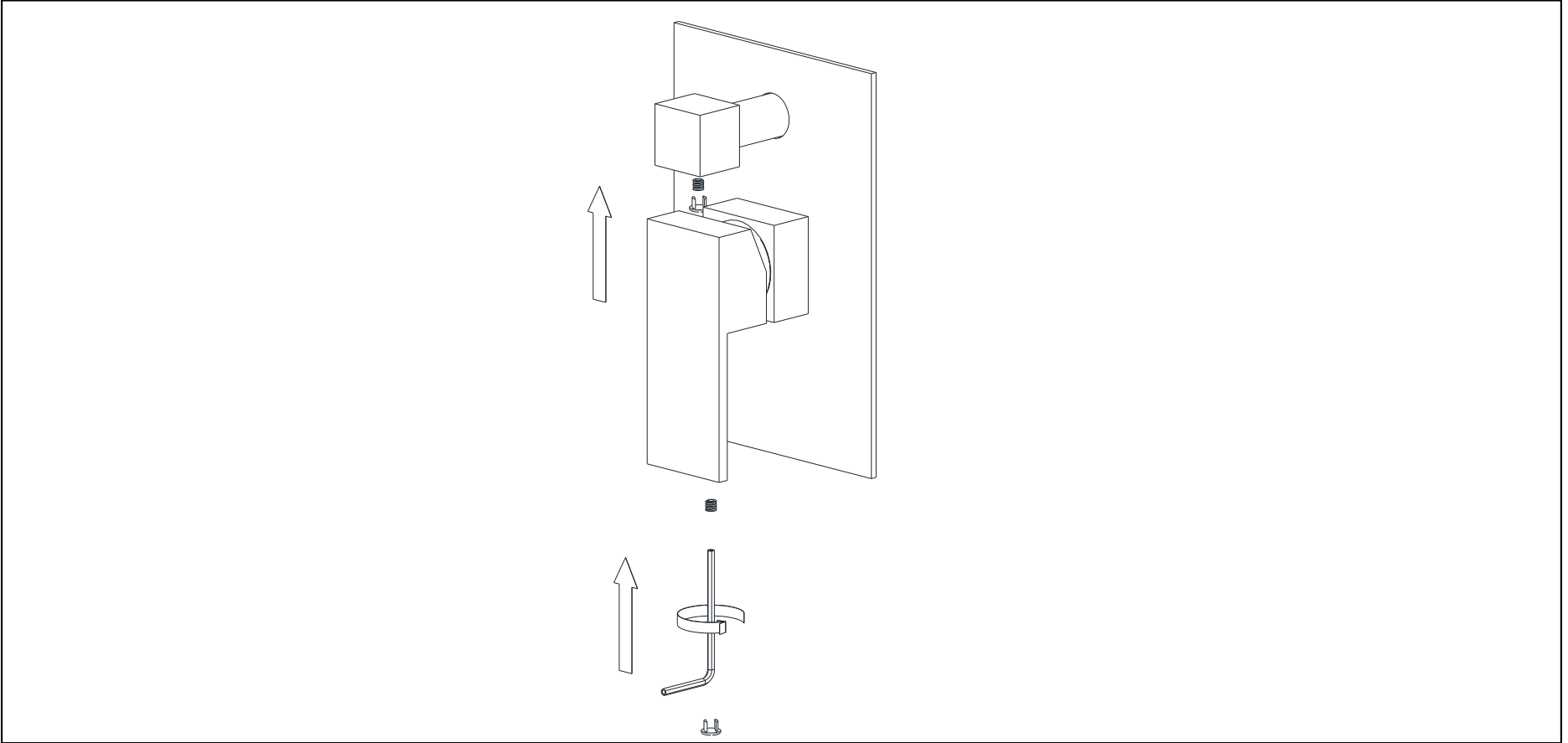
6.5 Attach the temperature limit ring to cartridge for locking the maximum temperature. Reinstall the escutcheon to the bonnet too.



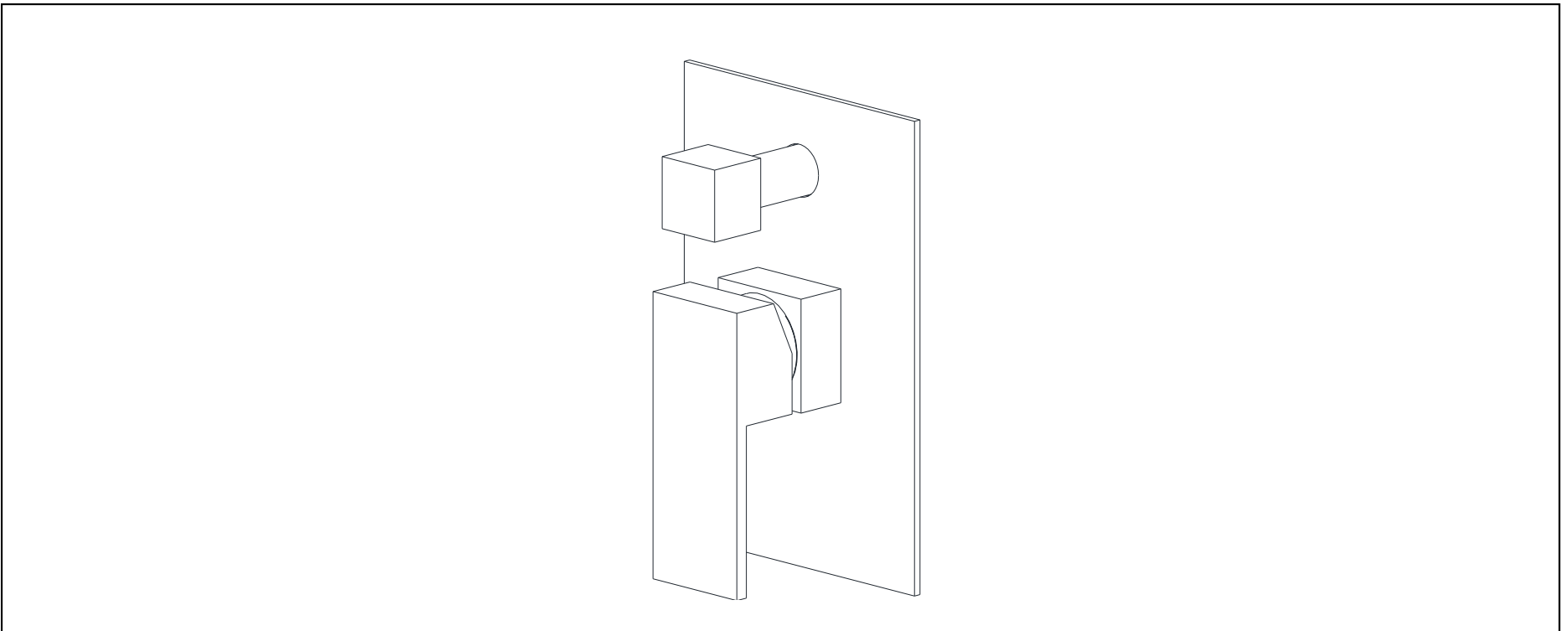
6.6 Fit the cover plate over the valve body and slide tight to the finish wall and seal the wall around the cover plate edge with waterproof sealant.



6.7 Attach handle onto the valve stem and tighten set screws by the Allen wrench that is provided. Please don't over tighten. Done the same procedure on diverter knob. Finally press-in the screw cover.

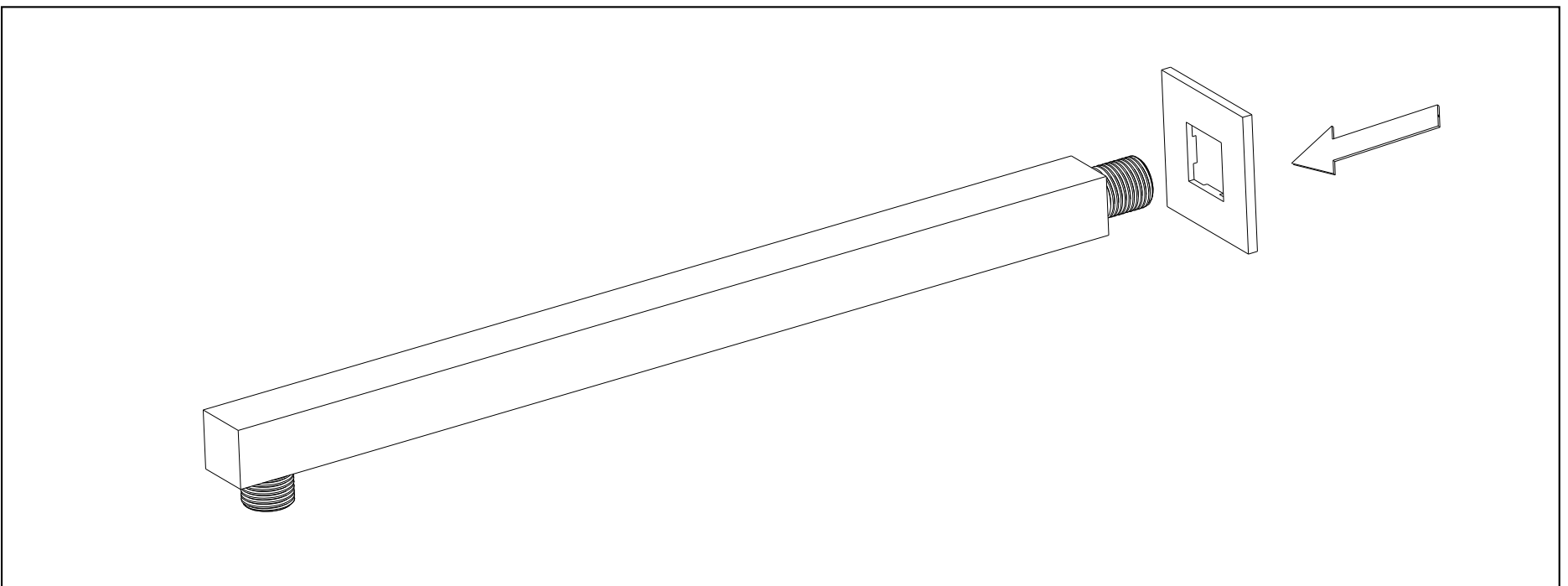


6.8 Valve trim installation is completed.



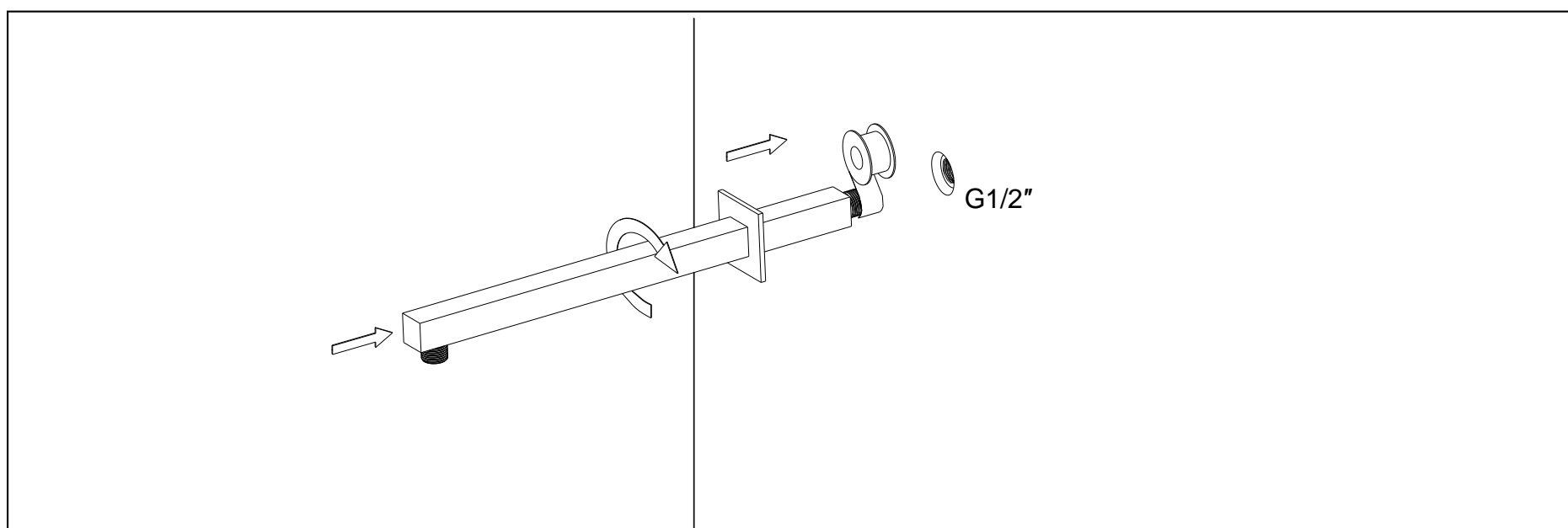
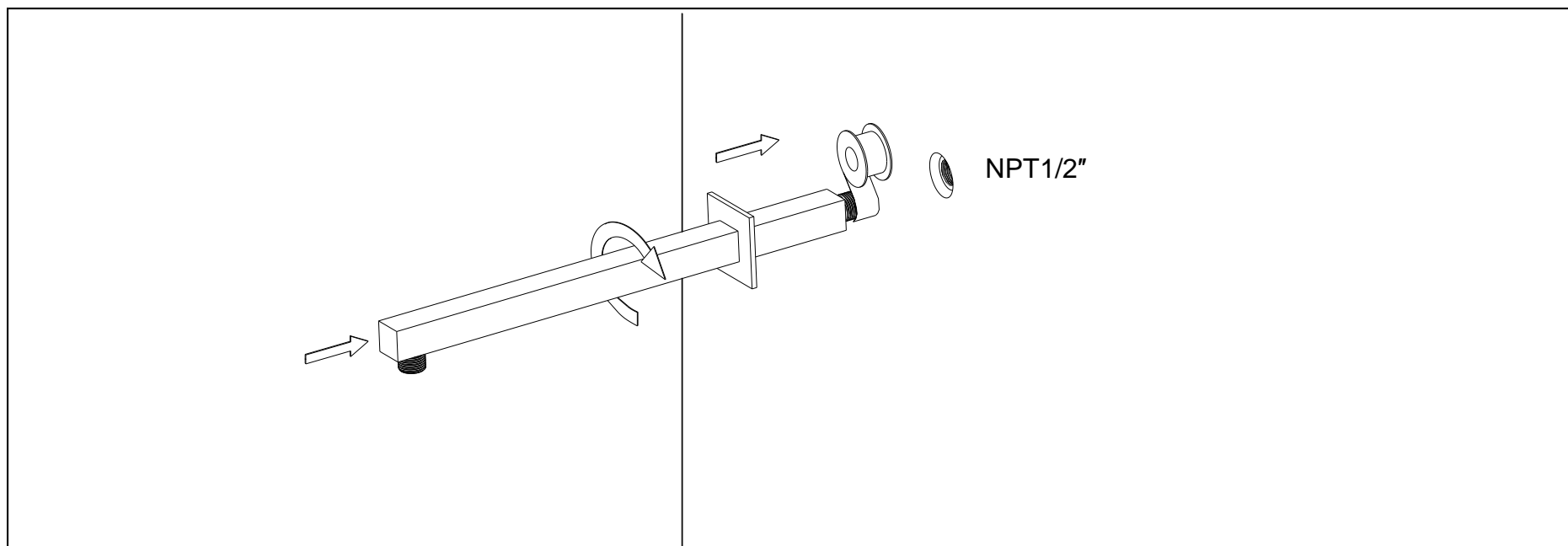
7.SHOWERHEAD INSTALLATION

7.1 Attach shower arm escutcheon to the shower arm.

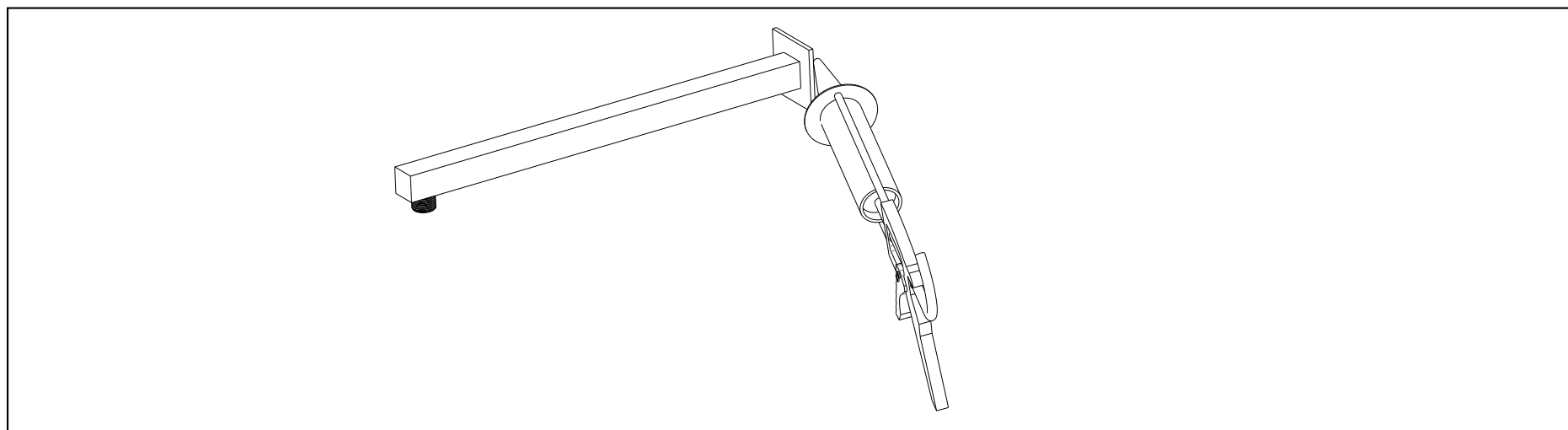


7.2 Apply Teflon tape to the thread of shower arm connector, secure the shower arm into the pipe elbow inside the wall by rotating clockwise.

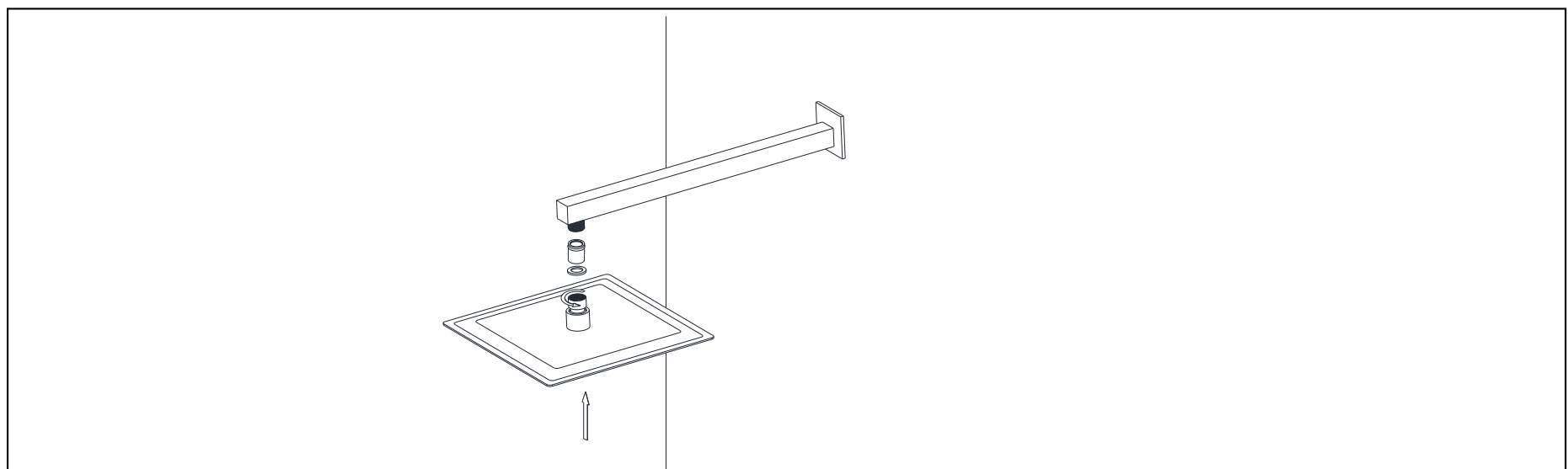
Standard threads of Connector: NPT1/2" [North America]
G1/2" [UK, Europe etc.]

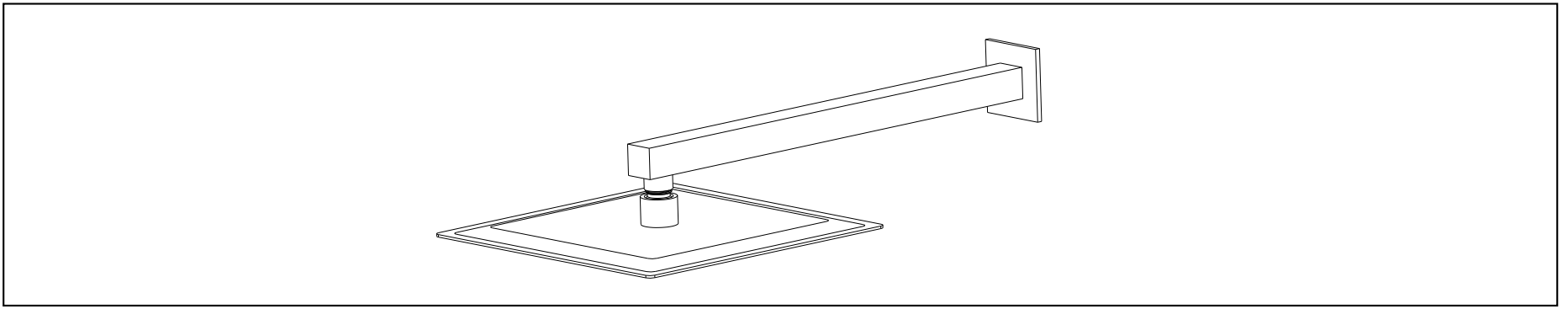


7.3 Seal the wall around the shower arm escutcheon with waterproof sealant.



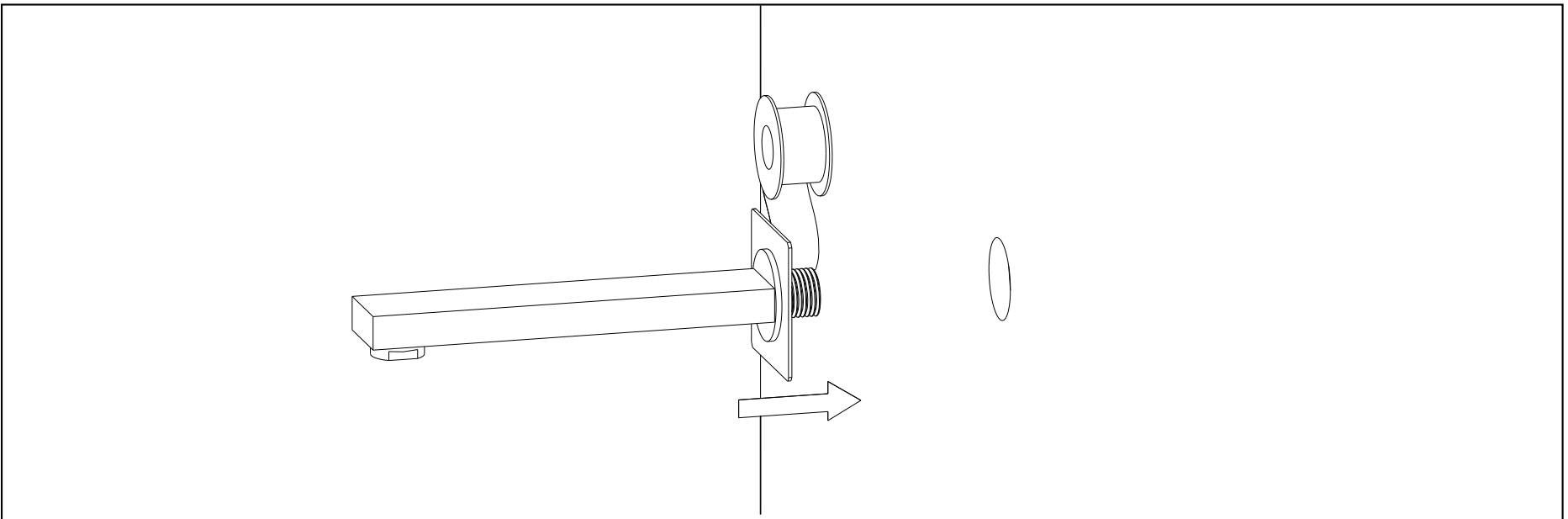
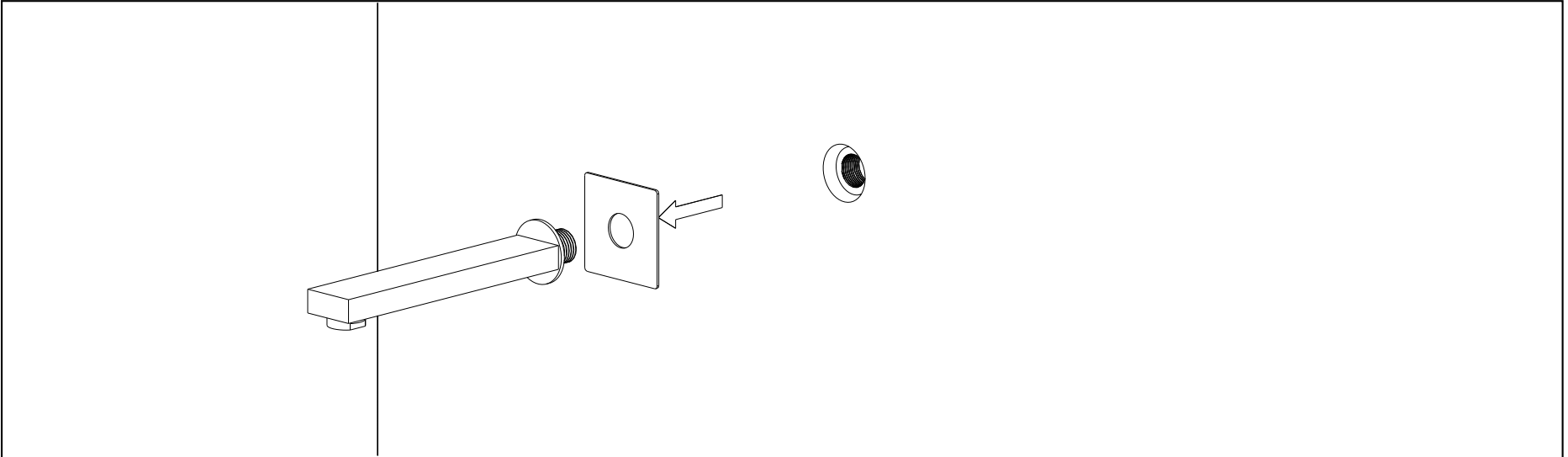
7.4 Put the screen washer into the connector of showerhead and insert the check valve into the shower arm, then secure the showerhead on the shower arm by hand rotating clockwise.



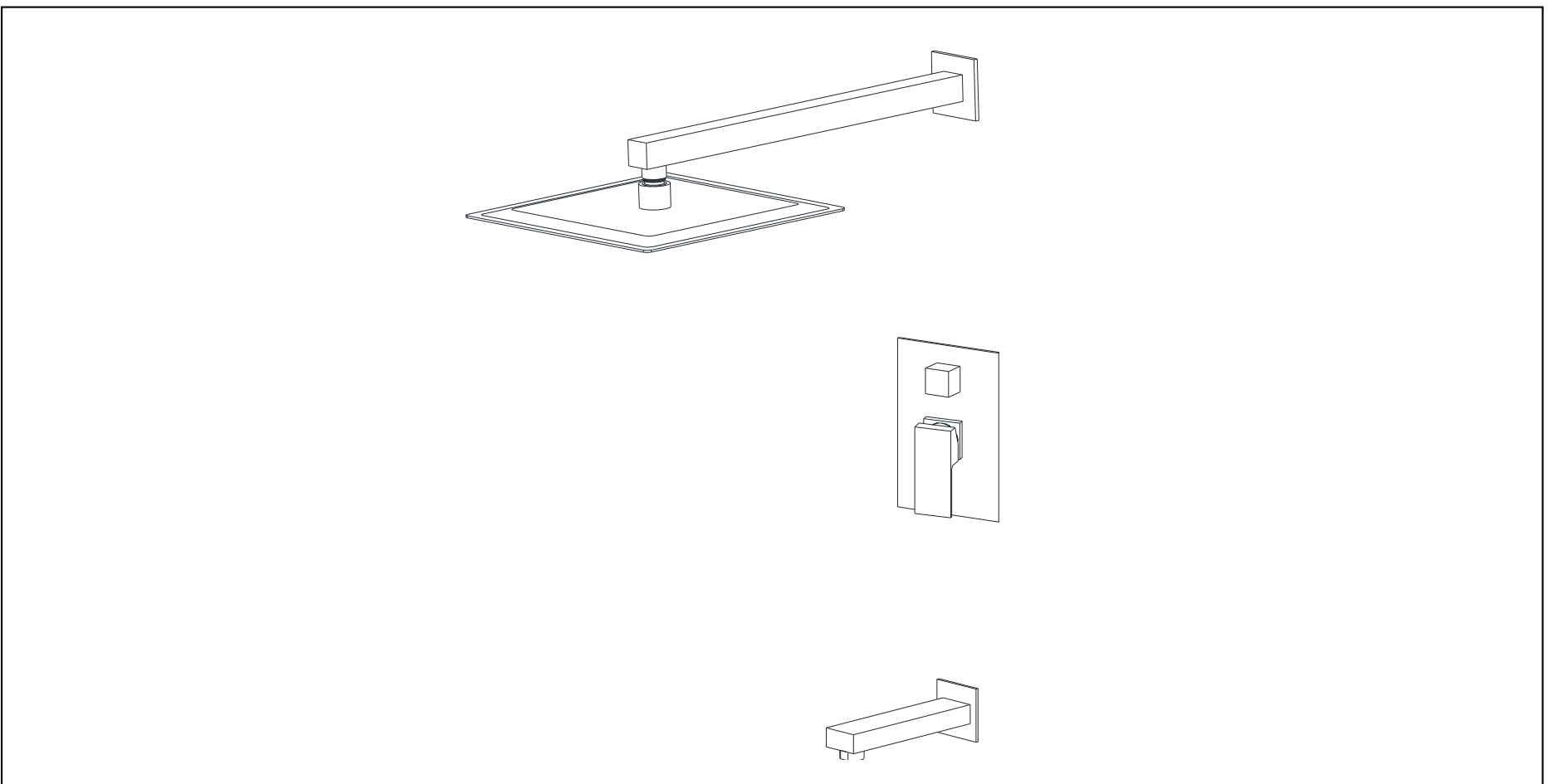


8. TUB SPOUT INSTALLATION

8.1 Attach flange to the spout. Apply Teflon tape to the thread of spout connector and screw the thread into the pipe elbow inside the wall.

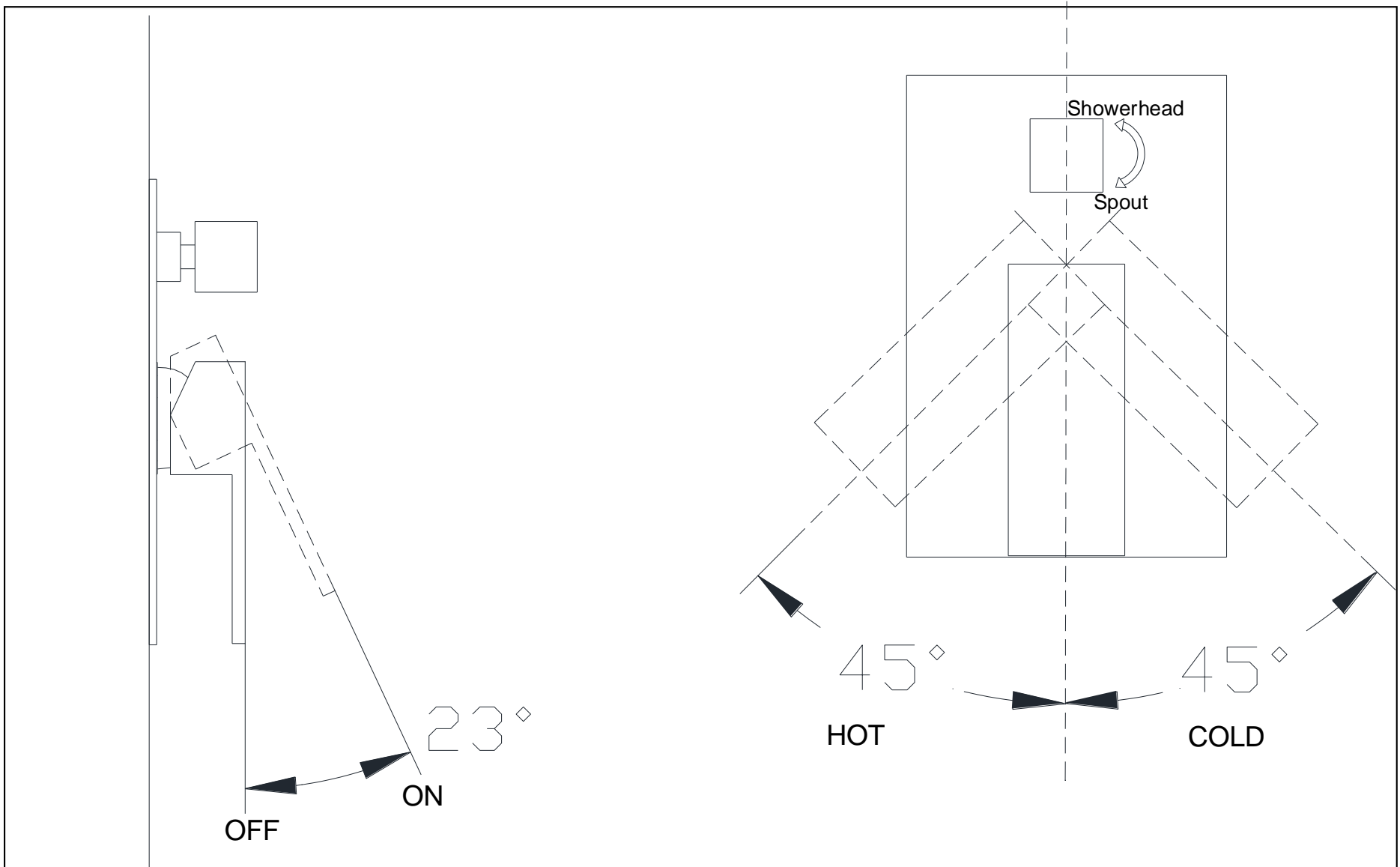


8.2 Installation finished.



9. SHOWER FUNCTION INTRODUCTION

9.1 Rotating the handle left for hot water and right for cold water. Rotating the diverter knob counterclockwise directs water to the showerhead, and clockwise rotation directs water to the spout.



10. INSPECTION

10.1 Turn on hot and cold water supply and check all connections for ensuring no leaking anywhere.

INSTALLATION FINISHED

TROUBLESHOOTING

Symptom	Solution
Not or less water come out	<ol style="list-style-type: none"> 1. Make sure turn on the shut-off valve 2. Inspect all connector for ensuring no stemming inside 3. Make sure hot and cold water both has enough water, the pressure balance valve will stop water running suppose one of hot/cold water supply system is waterless or only supply low water pressure water.
Leaking from handle	<ol style="list-style-type: none"> 1. Replace the cartridge 2. Replace the O-ring.
Less water come out from showerhead	<ol style="list-style-type: none"> 1. Clean the calcification in showerhead nipple 2. Clean the screen washer in showerhead inlet connector

CLEARNING RECOMMENDATION FOR SUMERAIN PRODUCTS

Modern lavatory faucets, kitchen faucets, and showers are built using a wide variety of materials to cater to the market's demands for design and functionality. To avoid damage and potential returns, adhering to specific cleaning guidelines is crucial.

Cleaning Materials for faucets & showers

When cleaning faucets and showers, it is important to consider the following professional terms:

- Acidic cleaning agents are essential for lime removal.
- Ensure to use only cleaning agents that are specifically designed for this particular application.
- Avoid using cleaning agents containing hydrochloric, formic, phosphoric, or acetic acid, as they can cause significant damage.
- Avoid mixing different cleaning agents, as this can cause harmful chemical reactions.
- Avoid using abrasive cleaning agents or tools, including unsuitable cleaning powders, sponge pads, or microfiber cloths that could damage the surface.

Cleaning instructions for faucets & showers

Please follow the cleaning material manufacturer's instructions. In addition, pay attention to the following points:

- Clean faucets and showers regularly as needed to maintain their optimal function and appearance.
- Apply the recommended amount of cleaning product for the specified duration. Be sure not to leave the cleaner on the faucets longer than necessary to avoid potential damage.
- Regular cleaning can help prevent calcification. If you notice scale deposits on the faucet surface or spout, use a commercial descaler such as Lime-Away® or CLR®.
- In case of rust formation due to hard water conditions, gently abrade the affected area with aluminum foil soaked in water until the surface is smooth. Subsequently, apply a modest amount of chrome polish or a suitable product like automotive wax (for instance, Meguiar's®, Turtle Wax®) to buff the surface.
- Solid stainless steel faucets and spouts, especially waterfall spouts, typically lack a protective coating. Although stainless steel is naturally resistant to tarnishing, it can oxidize over time and react to its environment. Therefore, it's crucial to keep stainless fixtures clean and dry. Use a cleaner specifically designed for stainless steel, such as Weiman® or CLR®.
- When using a spray cleaner, it is recommended that you first apply it to a soft cloth or sponge rather than spraying it directly onto the faucet. This method helps prevent water droplets from entering the faucet opening and causing potential damage.
- After cleaning, thoroughly rinse with clean water to remove any residue from the cleaner.

Important

Residues from liquid soap, shampoo, and shower gel can also contribute to damage. Therefore, it's crucial to thoroughly rinse these substances off with clean water after use.



Note: if the surface is already damaged, the application of cleaning materials might exacerbate the damage.

Components with damaged surfaces must be replaced or injury could result.

Note that any damage resulting from improper treatment is not covered by the warranty.

SUMERAIN®

SUMERAIN INTERNATIONAL GROUP INC

Address: 1226 NORTH KING ST NUM 522
WILMINGTON, DE 19801
United States

Tel: +1(866)203-0866

Web: <http://www.sumerain.com>

E-mail: supports@sumerain.us

HONGKONG SUMERAIN SANITARY INDUSTRY CO., LIMITED

Address: FLAT/RM 3B 3/F BANK TOWER
NOS.351&353 KING'S ROAD
NORTH POINT
HK

Tel: +86-750-2731579

E-mail: supports@sumerain.com

SUMERAIN EUROPE SUPPORT

Address: Flottwellstr.15
10785 Berlin,
Deutschland

Tel: +49 (0)30/23975898

E-mail: de@sumerain.com