











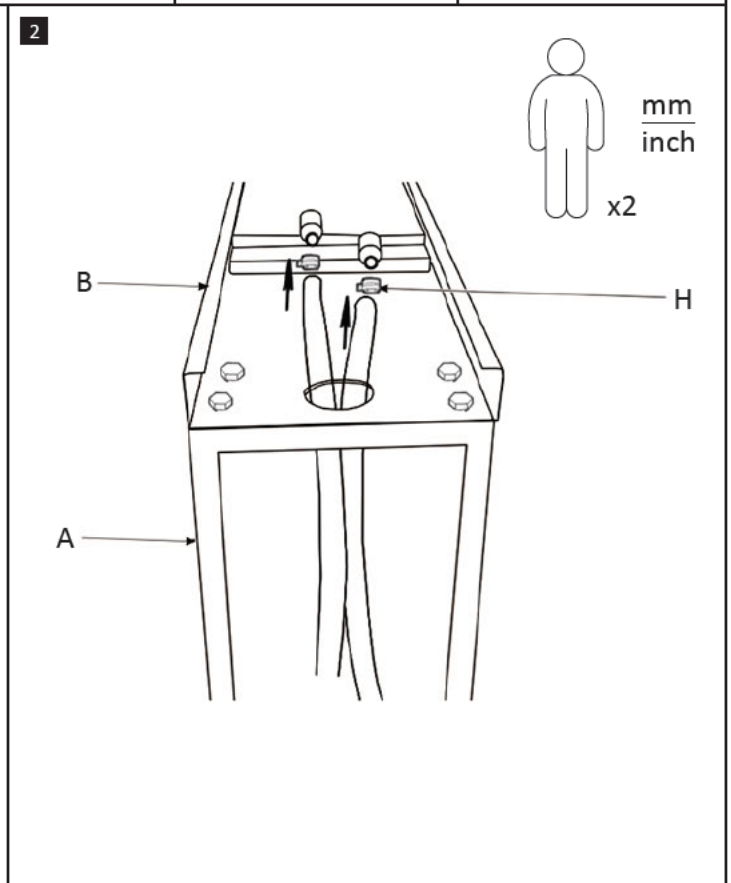
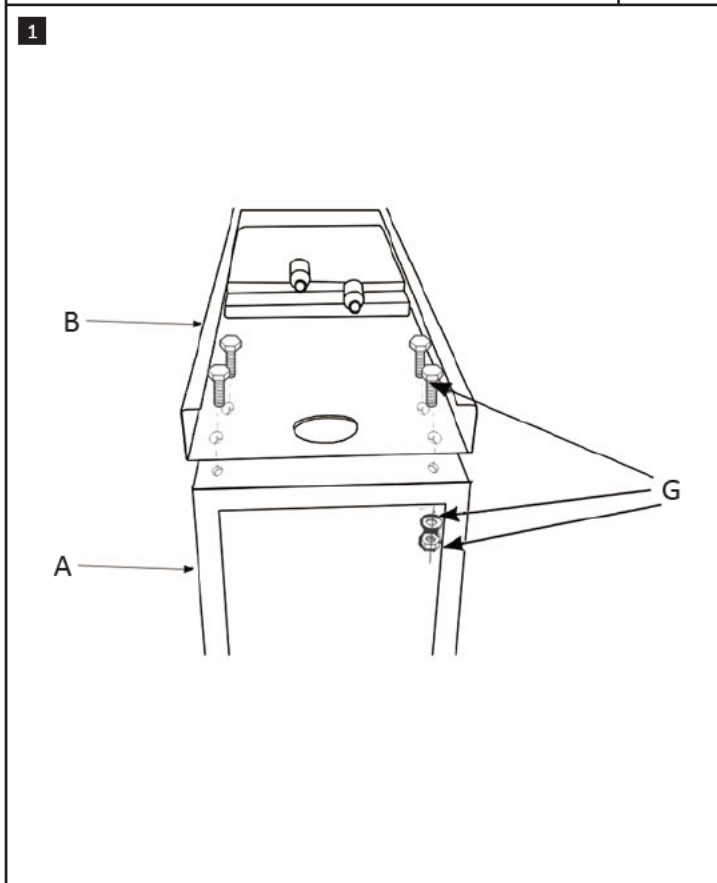
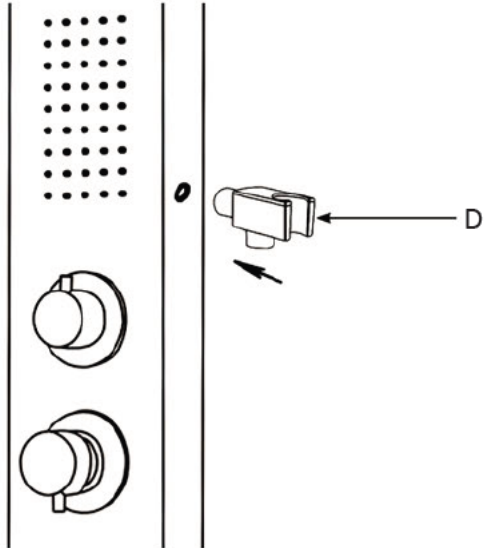
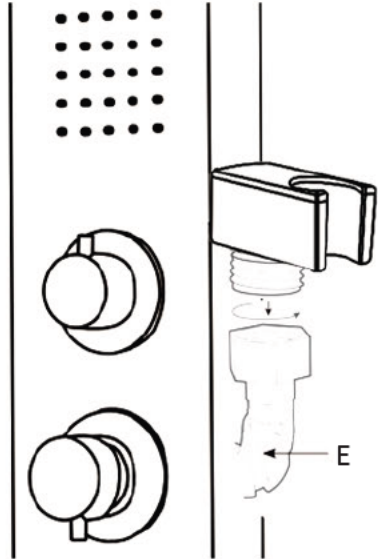
	A		B		C	
	D		E	 $\frac{1500}{59.1}$	F	 $\frac{500}{19.7}$
	Gx4		Hx3		Ix4	
	Jx4		Kx2		Lx4	



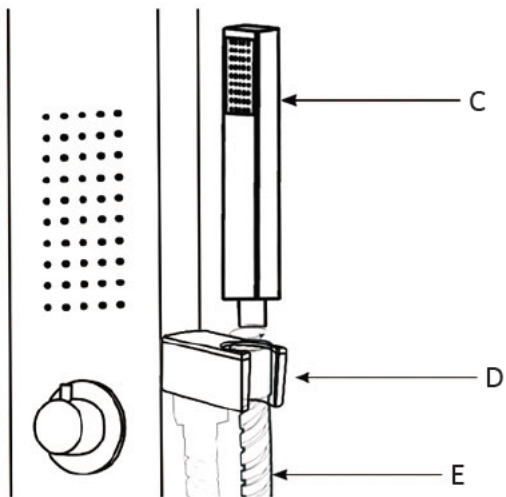
3



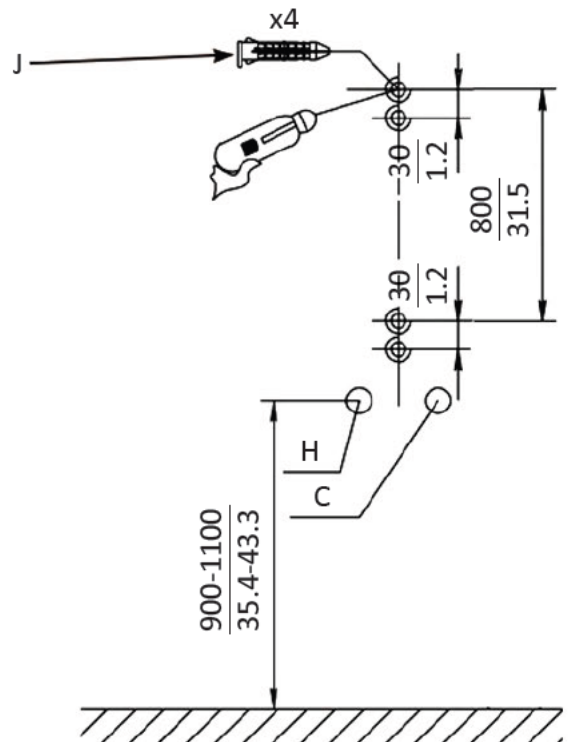
4



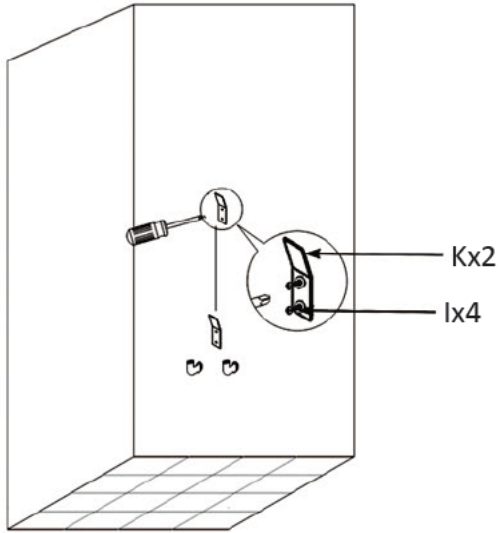
5



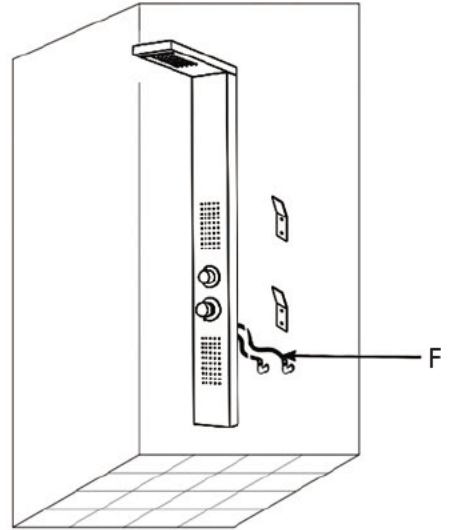
6



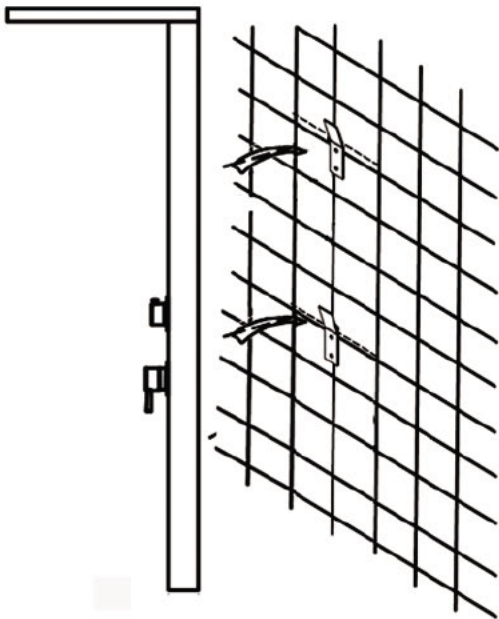
7



8



9



10

