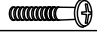



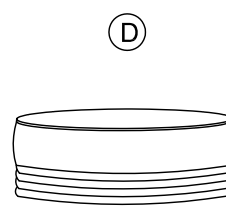
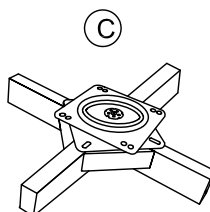
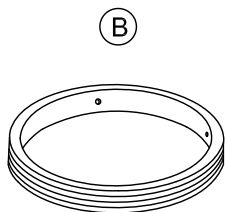
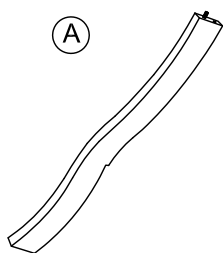
ASSEMBLY INSTRUCTIONS

29" BACKLESS SWIVEL BARSTOOL

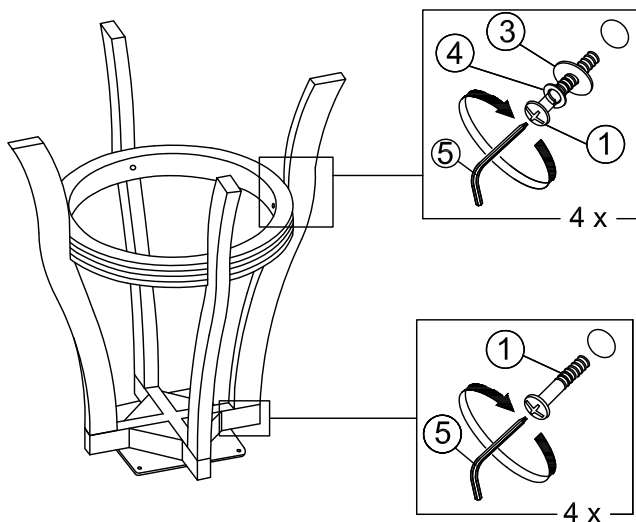
Read this instruction carefully. Refer hardware and furniture parts list for guidance. Be sure all parts are complete, before assembling. Place all wooden furniture part on a clean and flat soft surface to prevent scratches. Refer steps provided as assembling guide.

| PART LIST | | |
|-----------|----------------------------------|-------|
| ITEM | DESCRIPTION | QTY |
| A | Chair Leg | 4 PCS |
| B | Footrest | 1 PC |
| C | Corner Support With Swivel Plate | 1 PC |
| D | Cushion Seat With Apron | 1 PC |

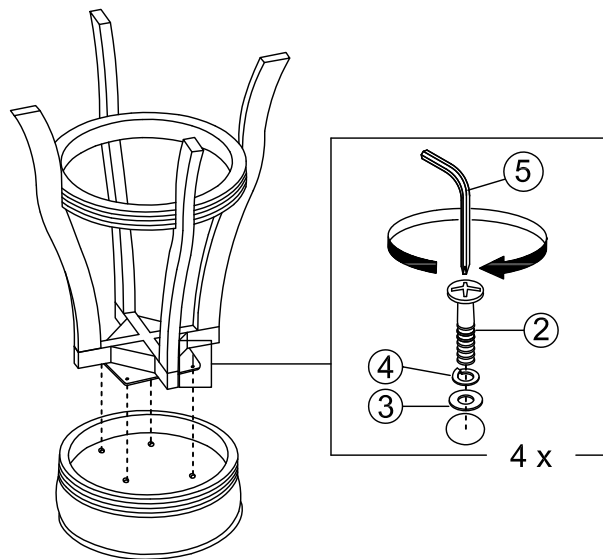
| HARDWARE LIST | | |
|---------------|--|-------|
| ITEM | DESCRIPTION | QTY |
| 1 | JCBC Screw (M6 x 45MM)  | 8 PCS |
| 2 | JCBC Screw (M6 x 20MM)  | 4 PCS |
| 3 | Flat Washer (Dia 16mm)  | 8 PCS |
| 4 | Washer (Dia 13mm)  | 8 PCS |
| 5 | Allen Key  | 1 PC |



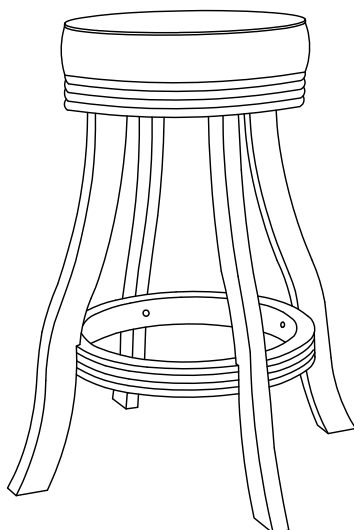
STEP 1



STEP 2



STEP 3



COMPLETED ASSEMBLY