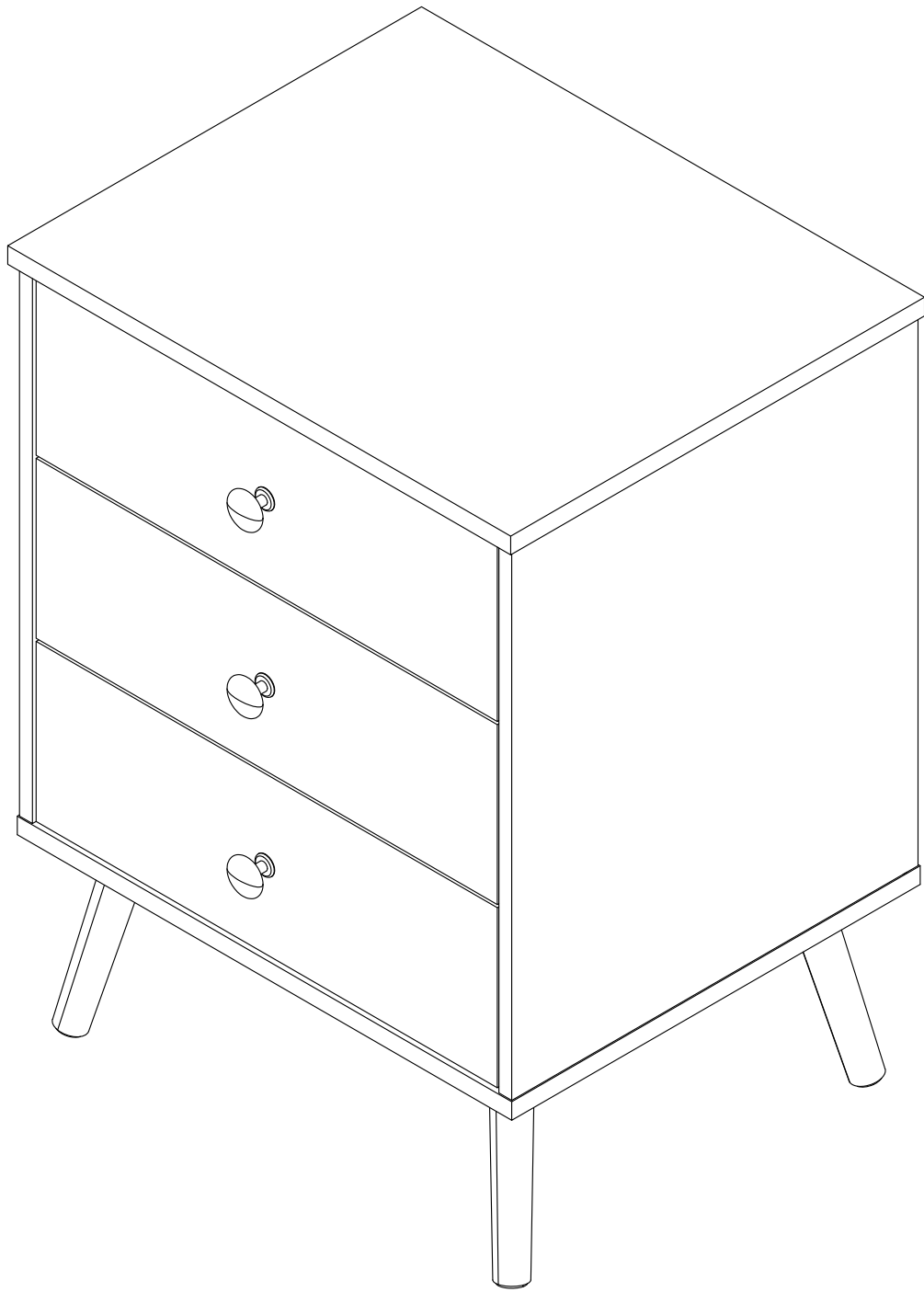
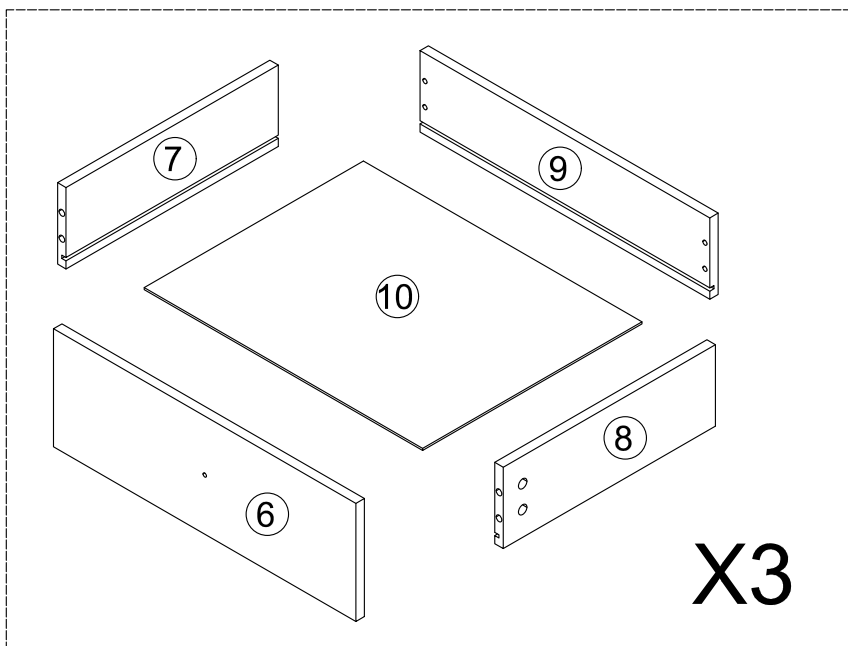
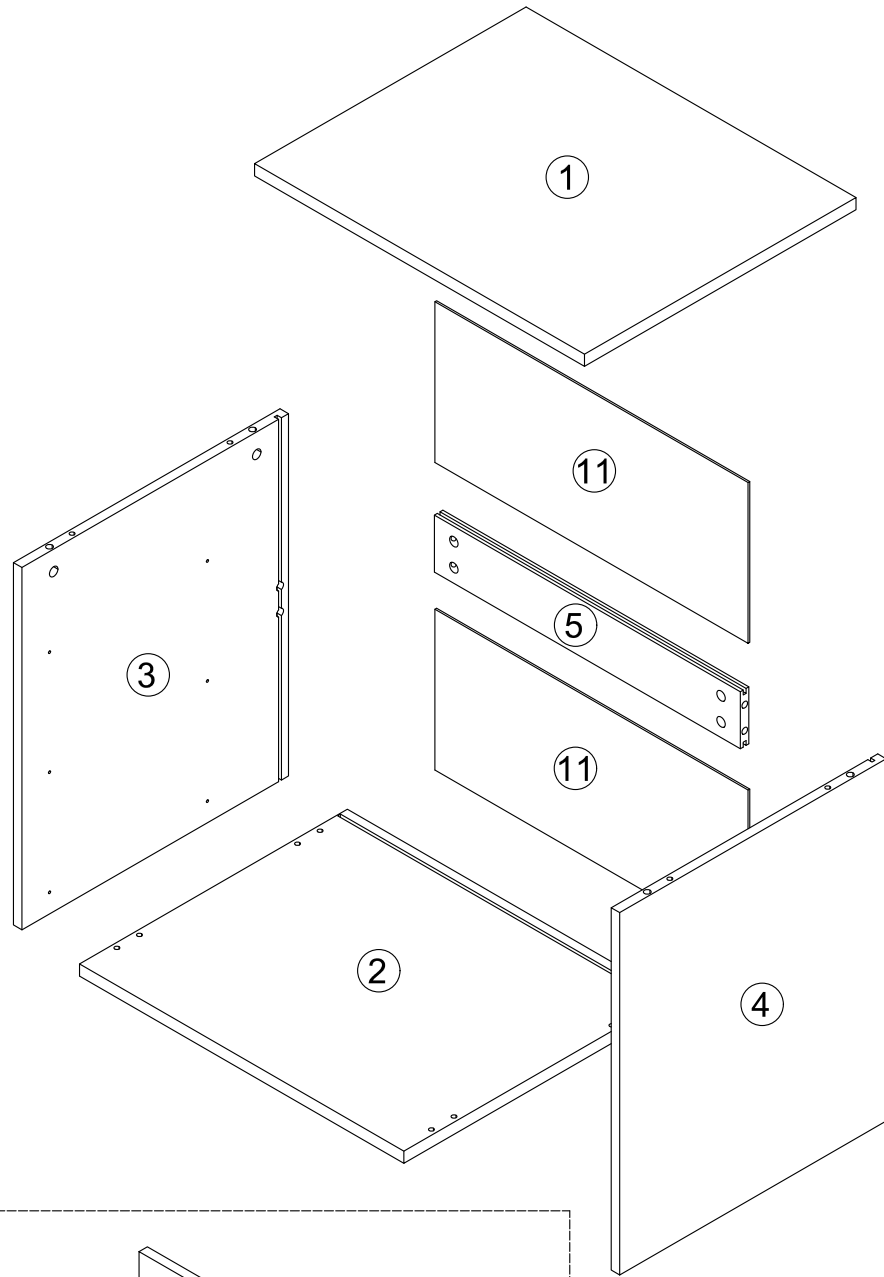


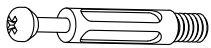


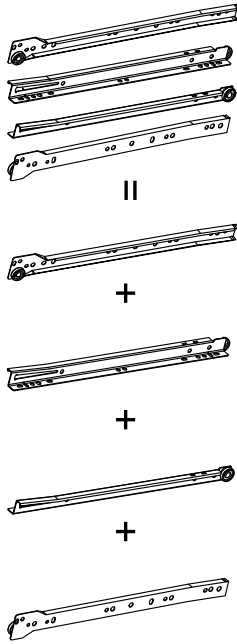

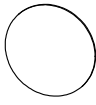




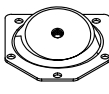

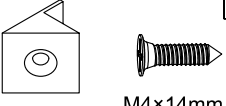
Installation instruction

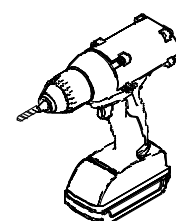


EXPLODED DRAWING:

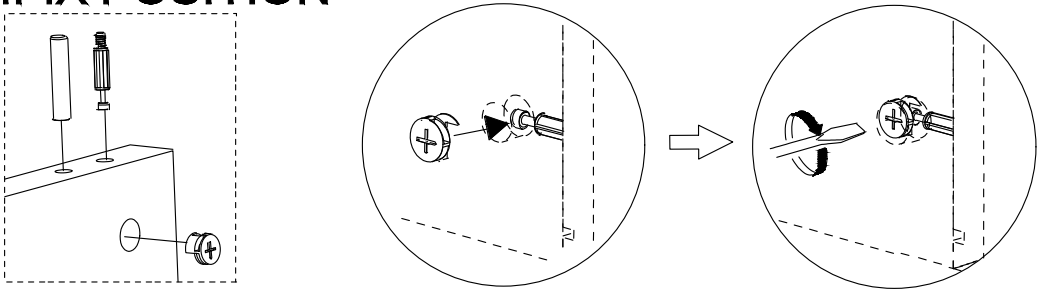


PARTS:

 <p>A X20 Ø6x35</p>	 <p>B X8 M6x30</p>	 <p>C X20 Ø12</p>
 <p>D X3</p> <p>CL x3</p> <p>DL x3</p> <p>DR x3</p> <p>CR x3</p>	 <p>E X44 M4x10</p>	 <p>F X20</p>
 <p>G X16 M5x50</p>	 <p>H X3</p> <p>H1 H2 Ø4x16mm</p>	 <p>J X4</p>
 <p>I X1</p>	 <p>K X4</p>	 <p>L X4</p>
 <p>M X8 M4x14mm</p>		



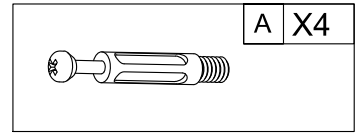
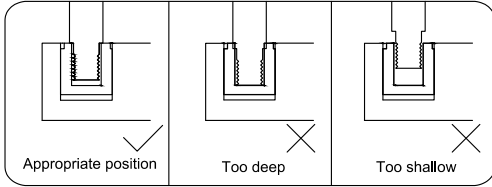
MINIFIX POSITION



1.

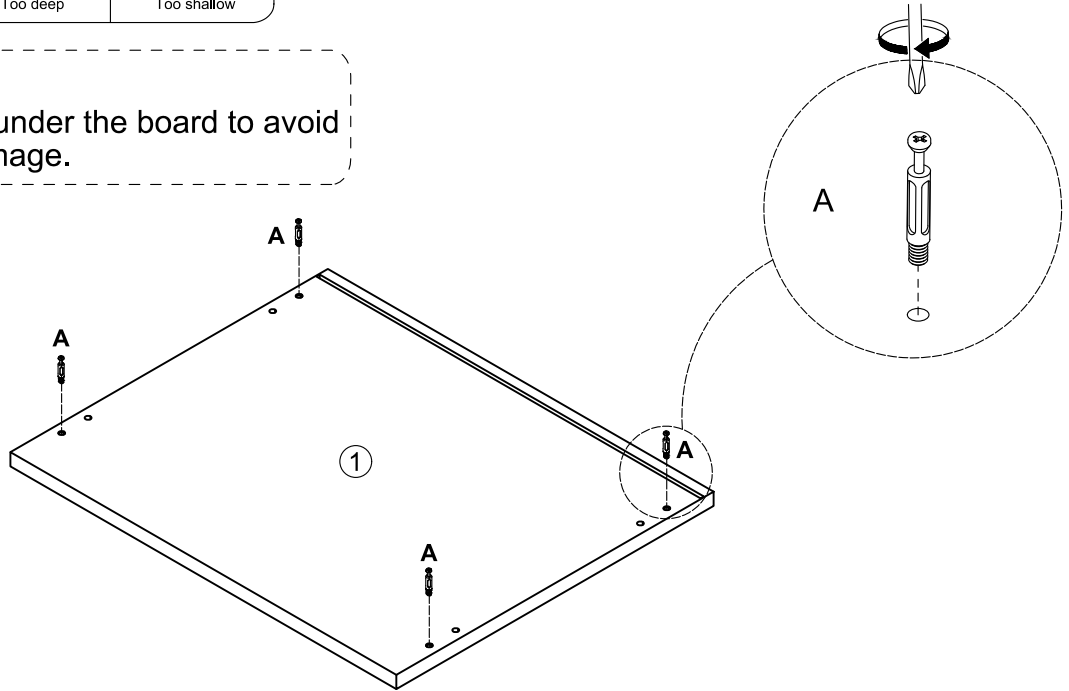
REMARK:

Please do not screw **A** too deep or too shallow.

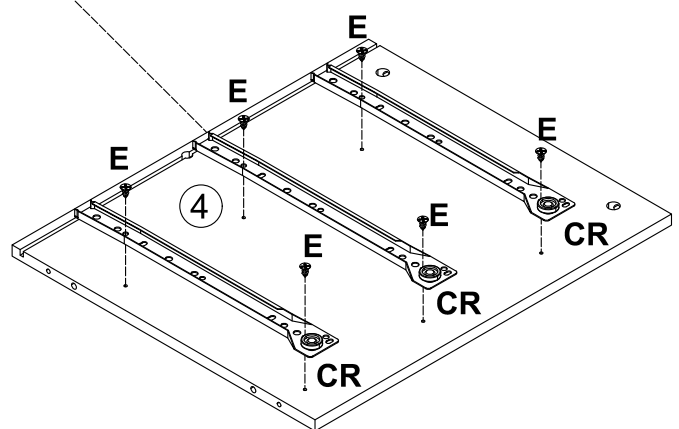
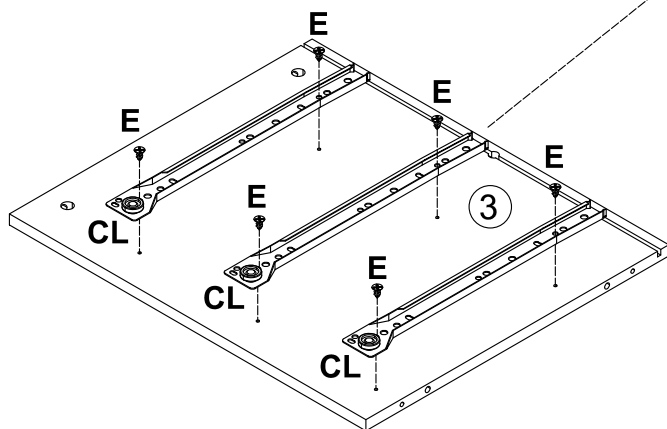
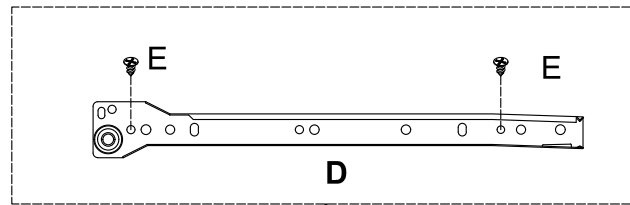
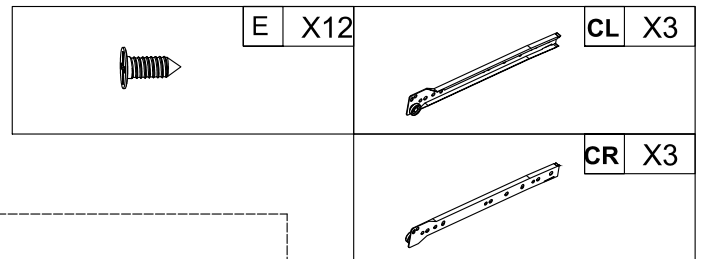


REMARK :


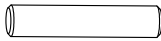
Put a blanket under the board to avoid scratch or damage.

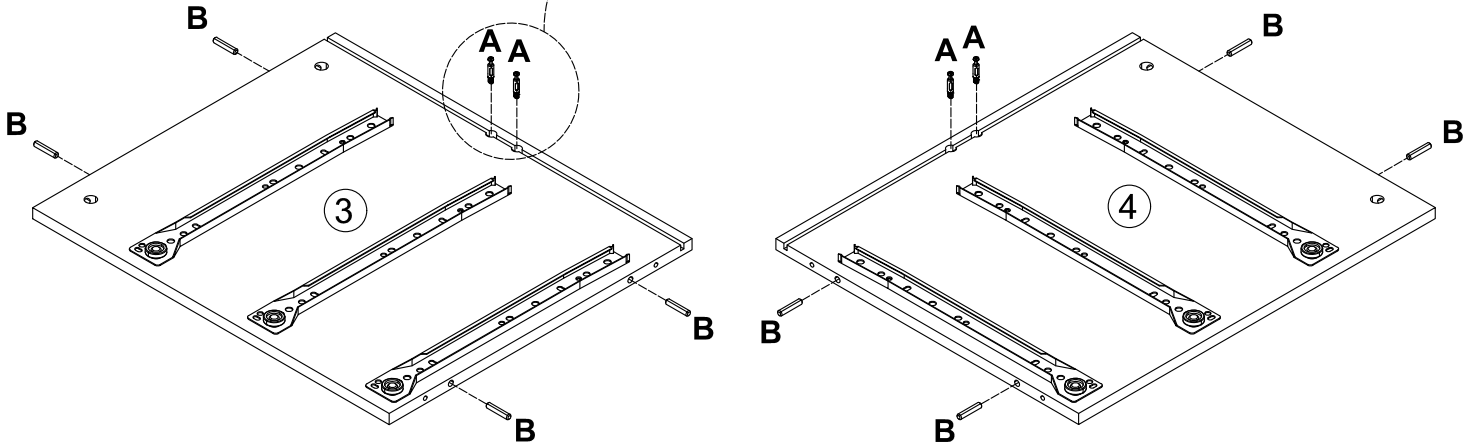
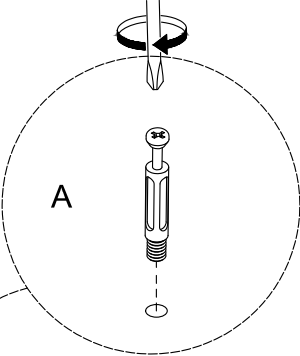


2.




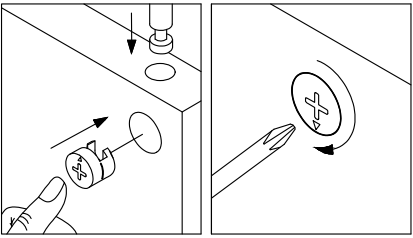
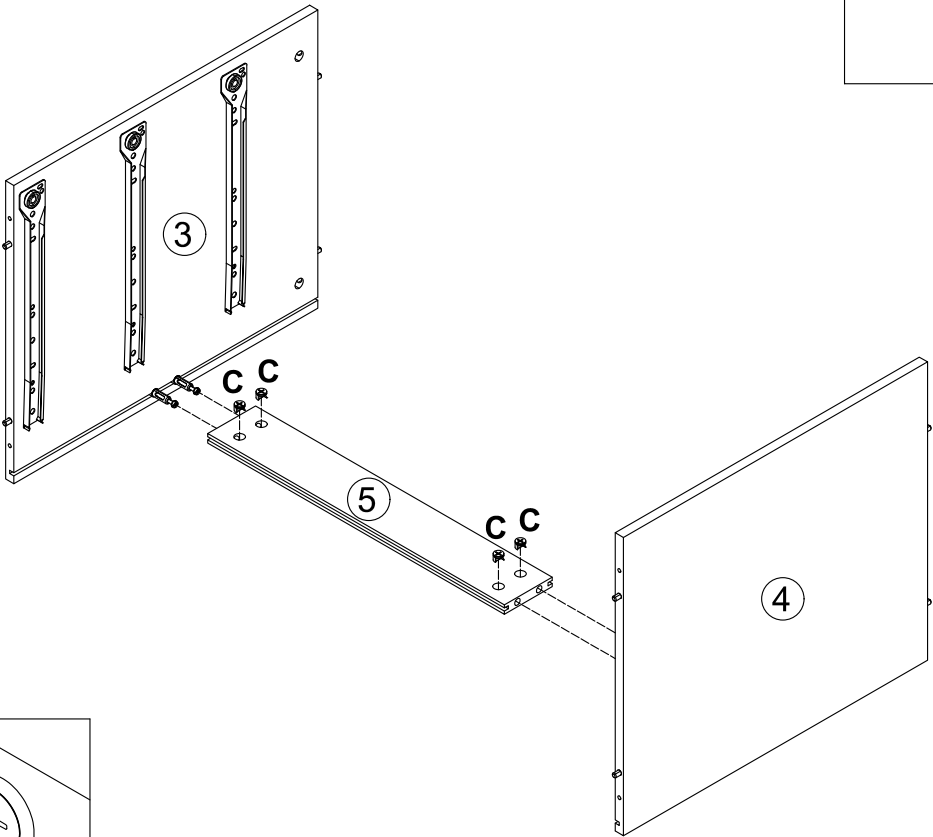
3.

	A X4
	B X8

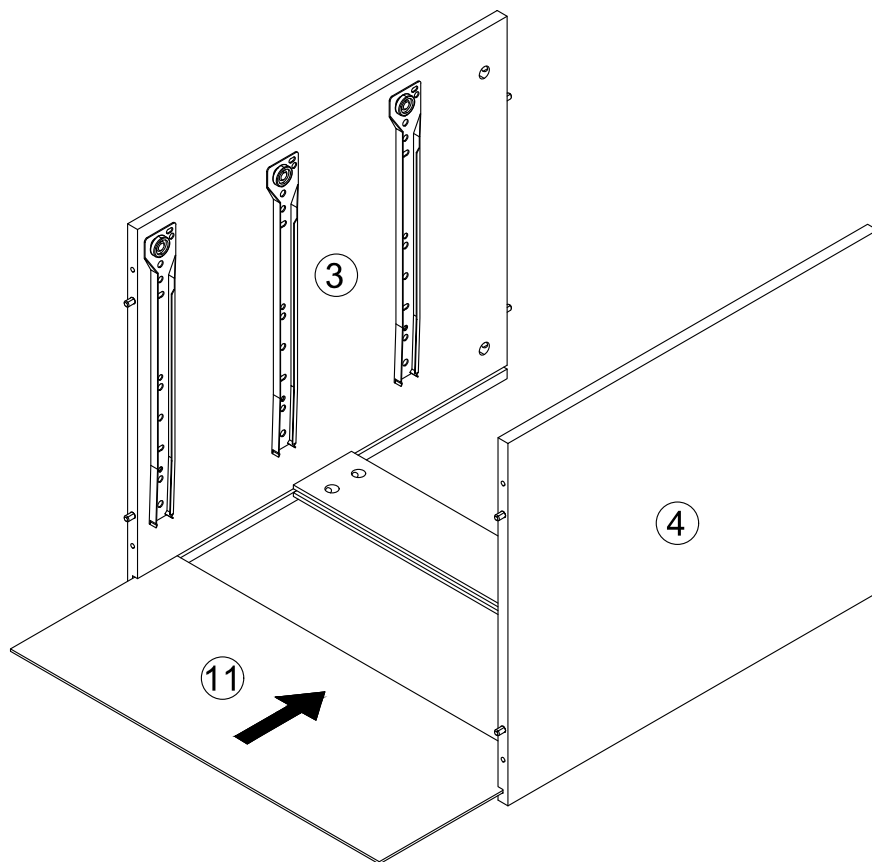


4.

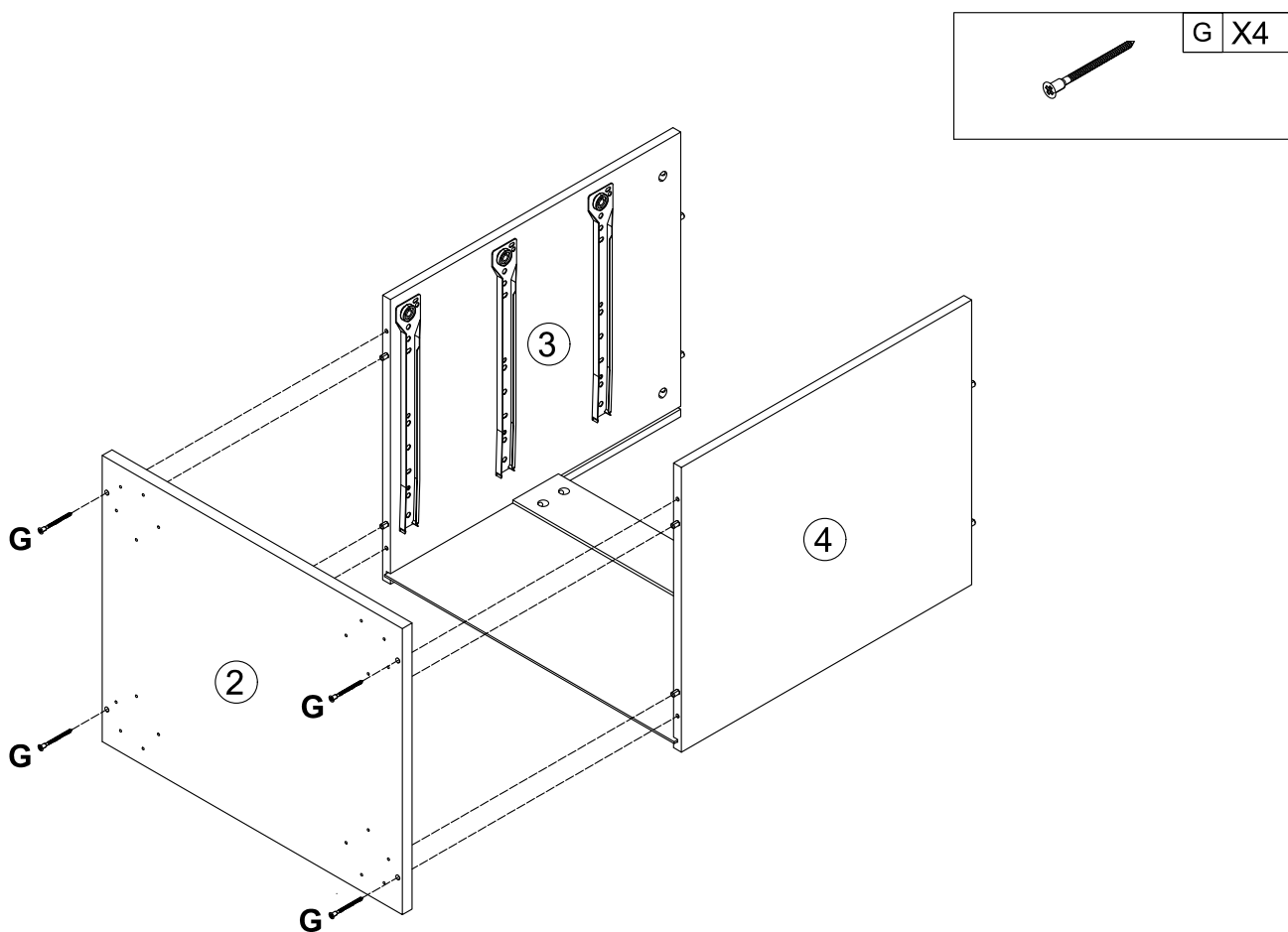
	C X4
---	------



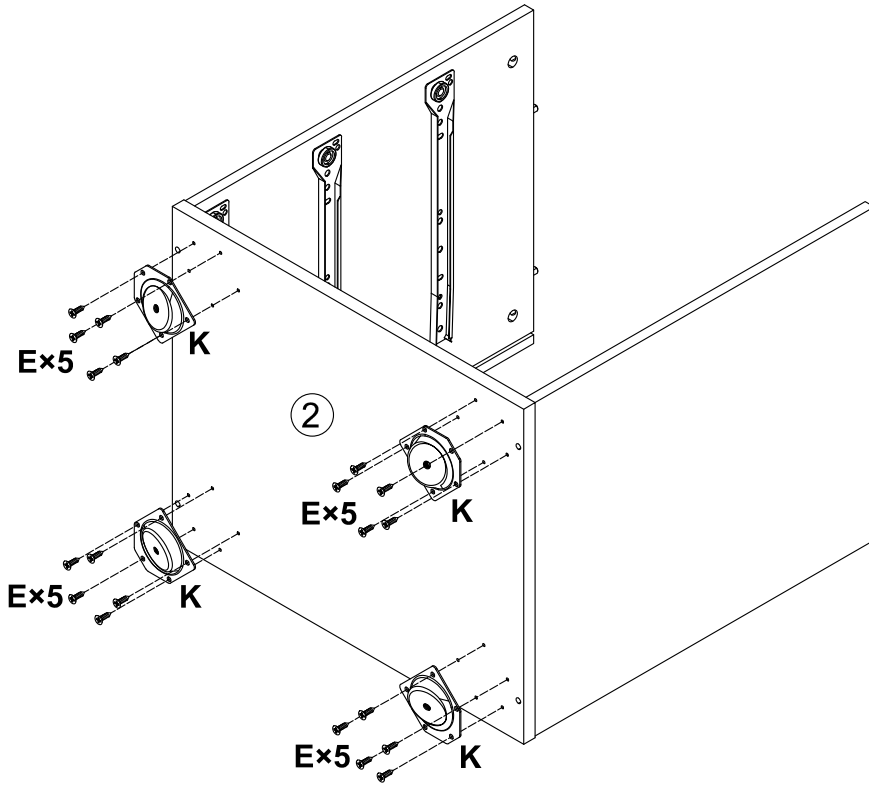
5.





6.

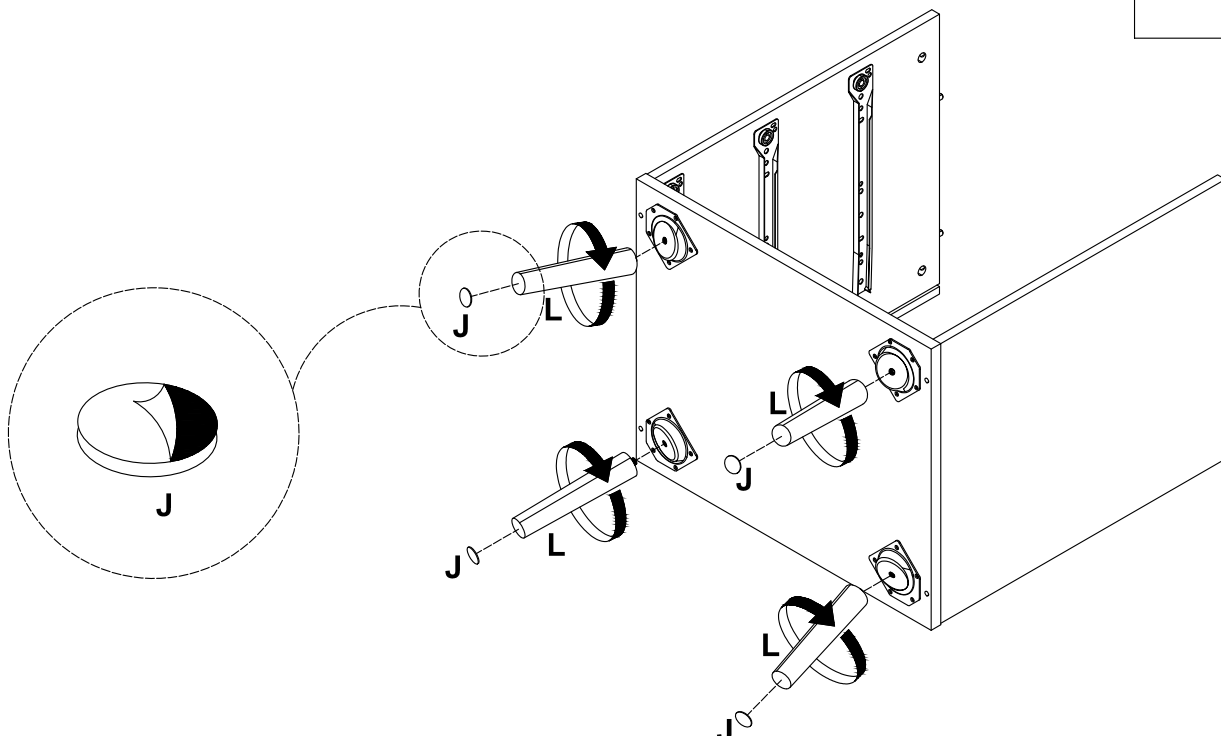




7.



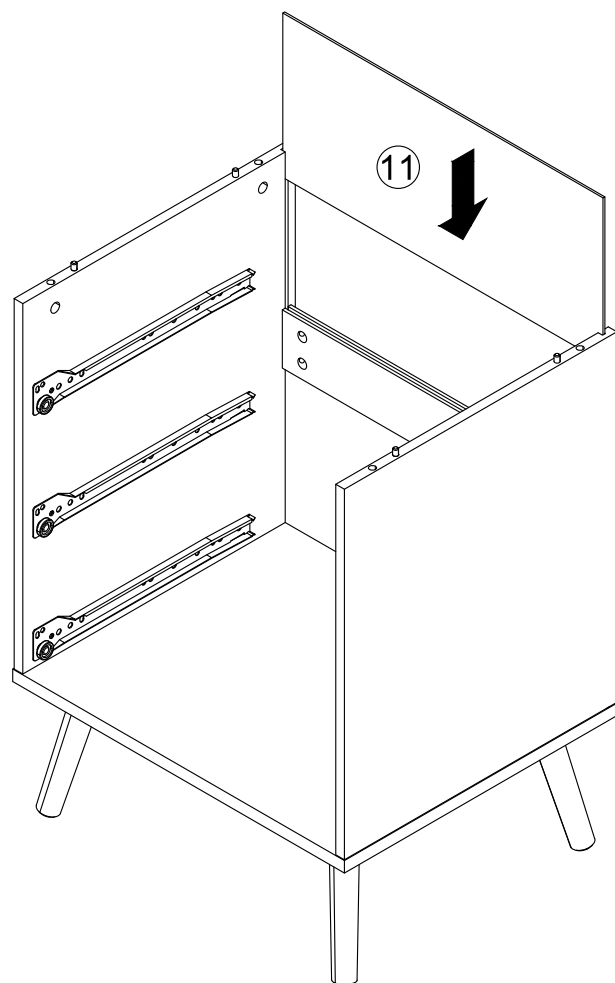
	E	X20
	K	X4

8.

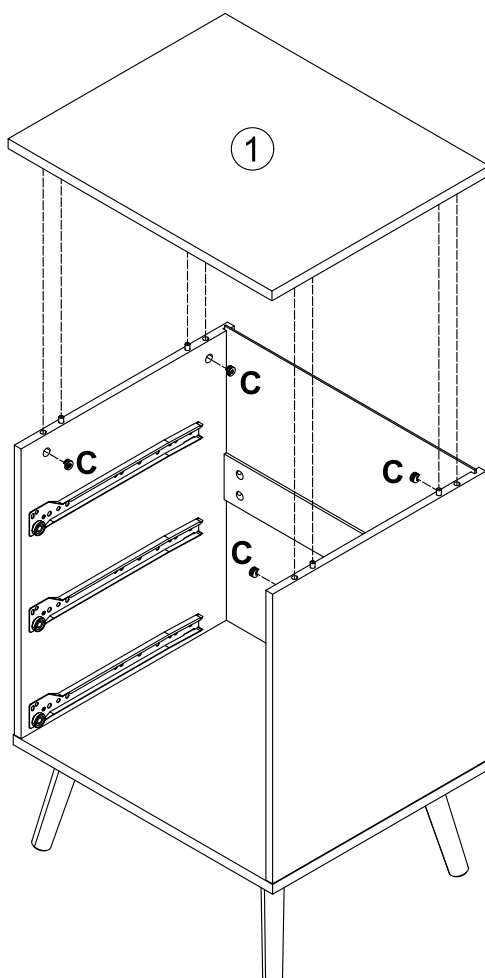
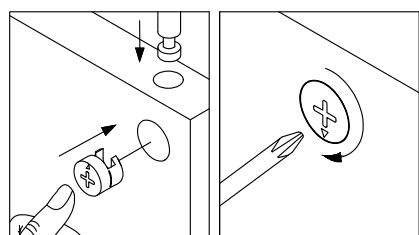
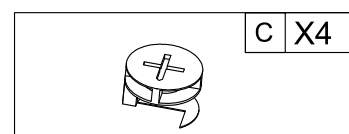


	J	X4
	L	X4

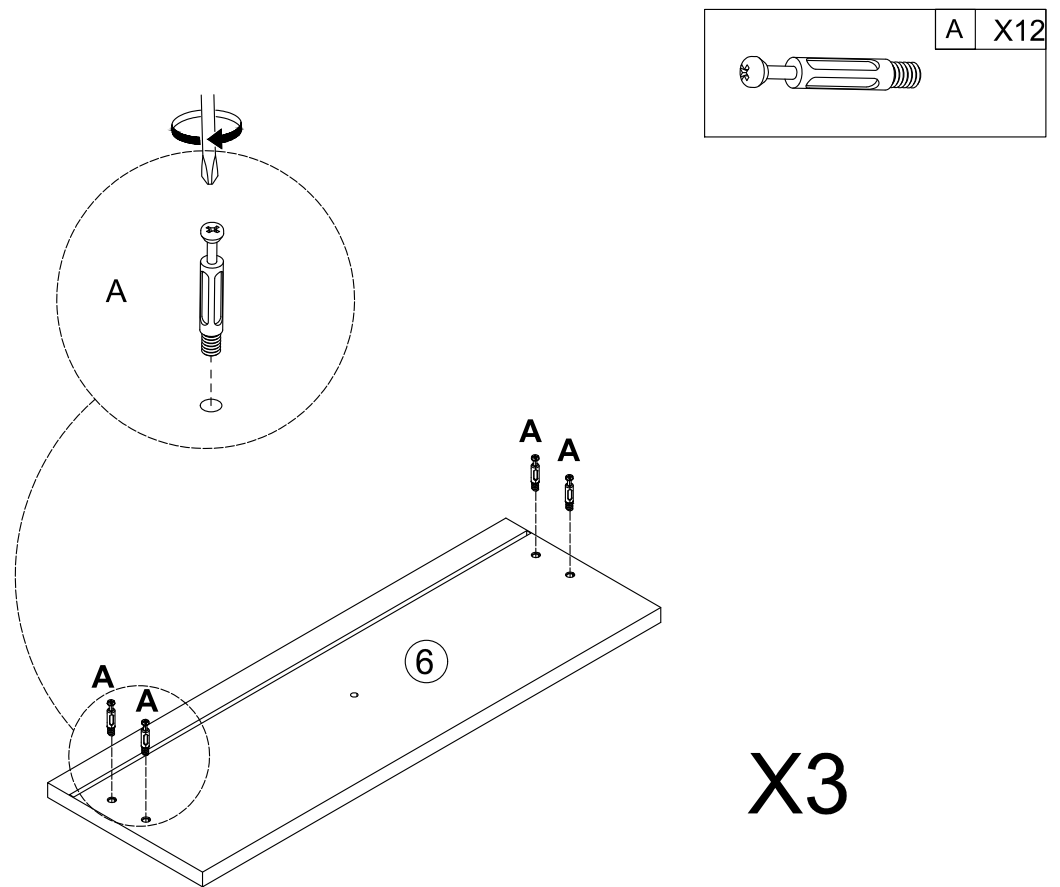
9.



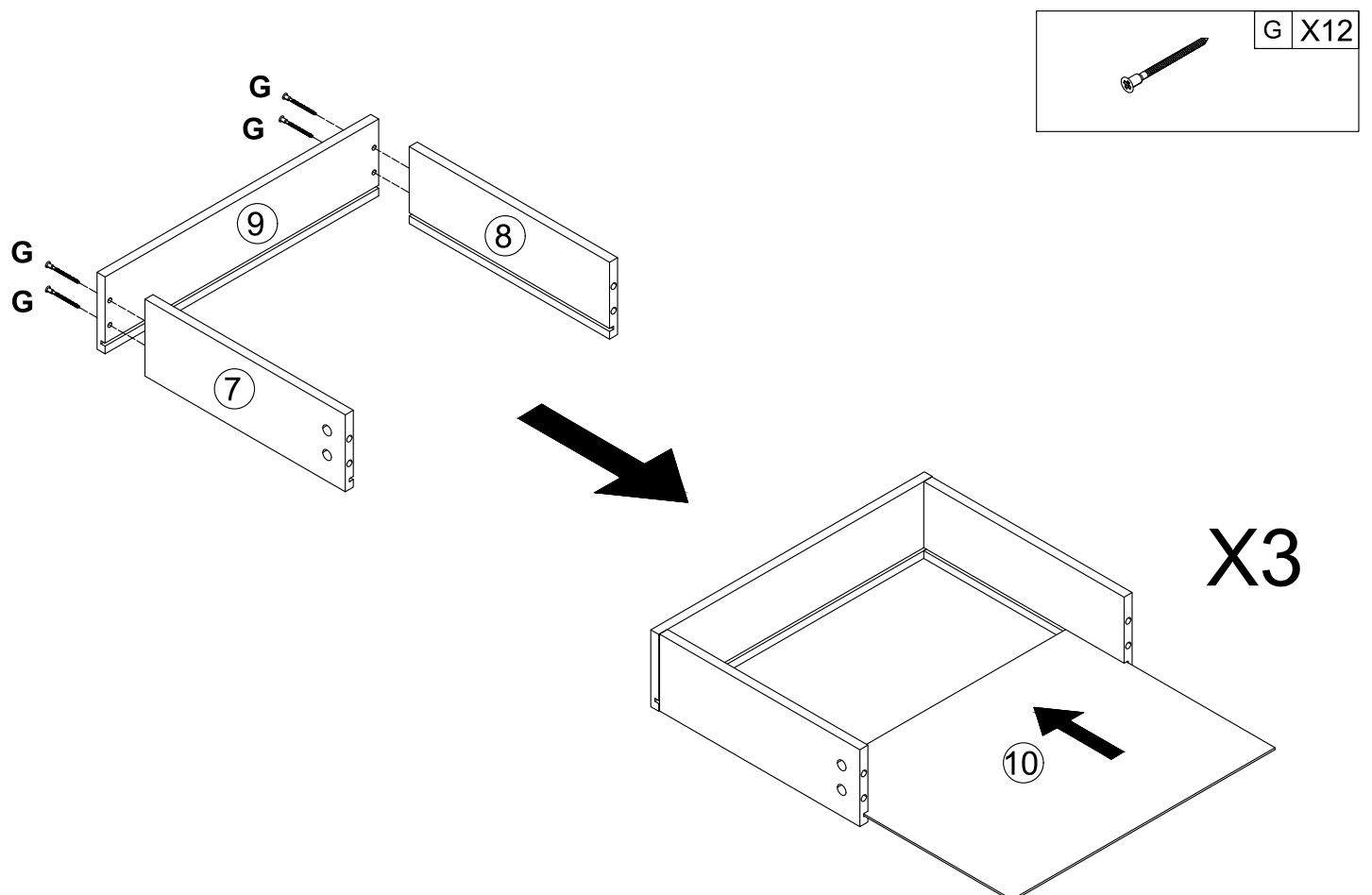
10.



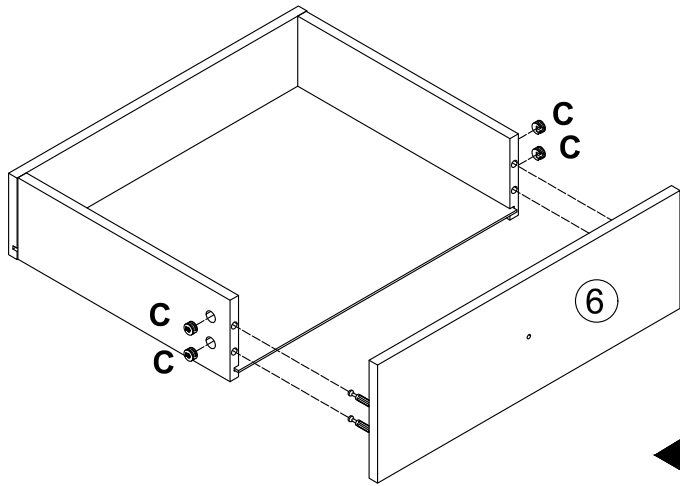
11.






12.



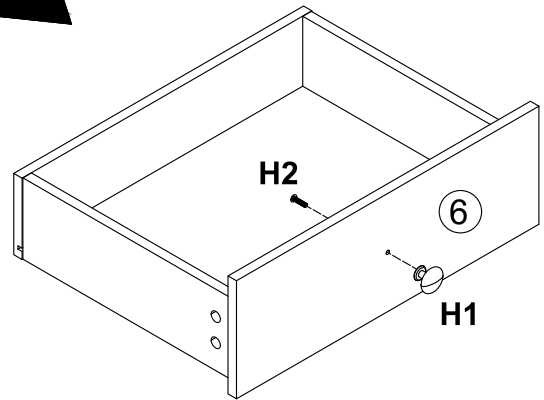
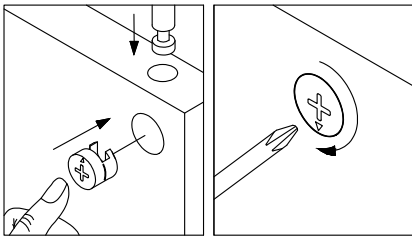
13.



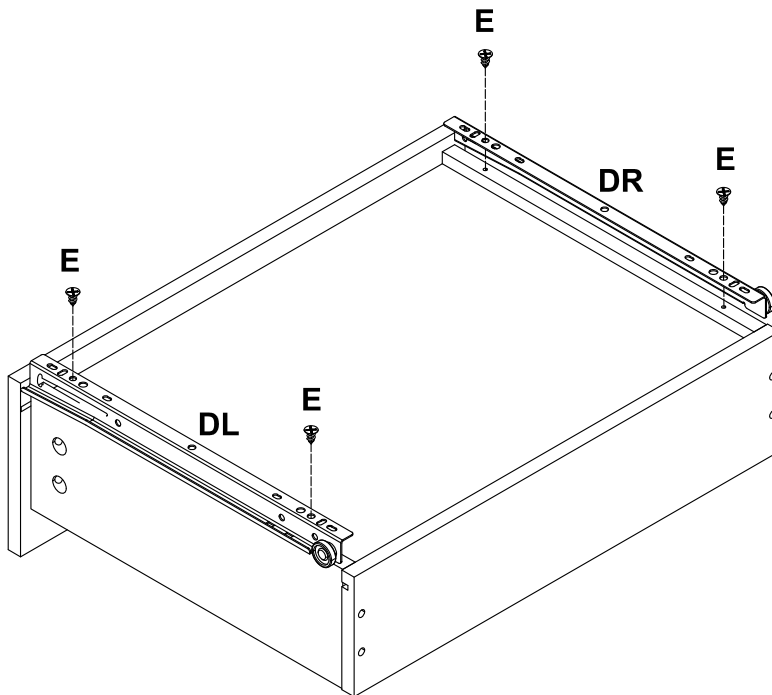
	C	X12
	H1	
	H2	X3


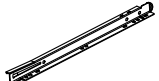



X3



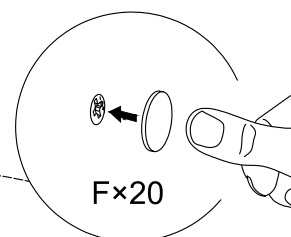
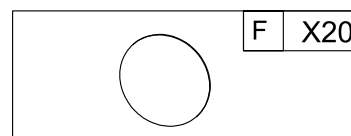
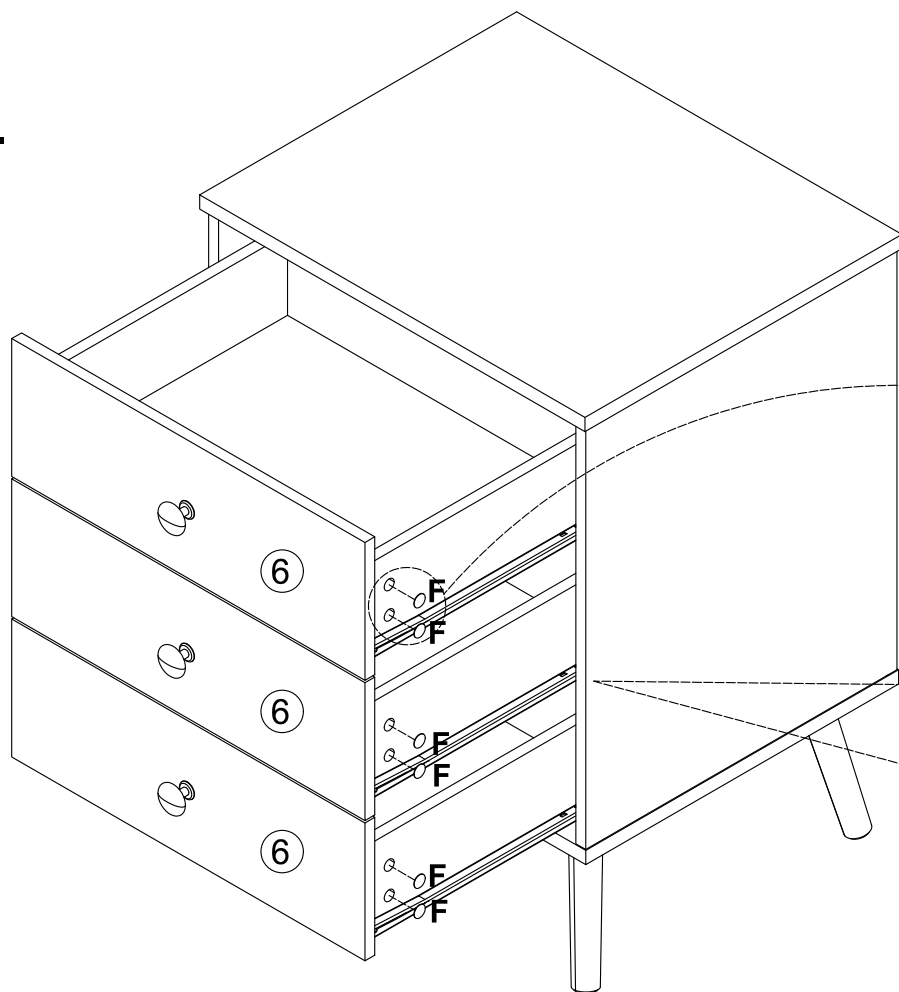
14.



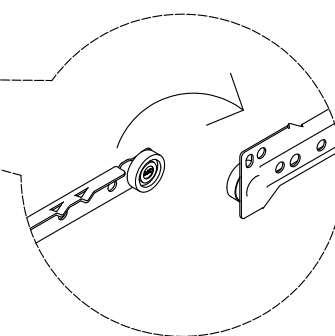
	E	X12
	DL	X3
	DR	X3

X3

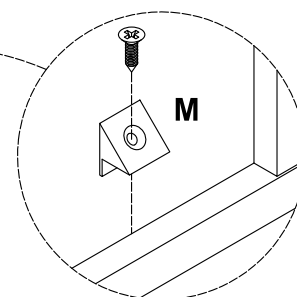
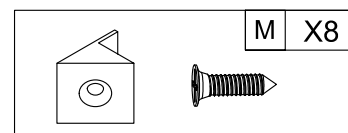
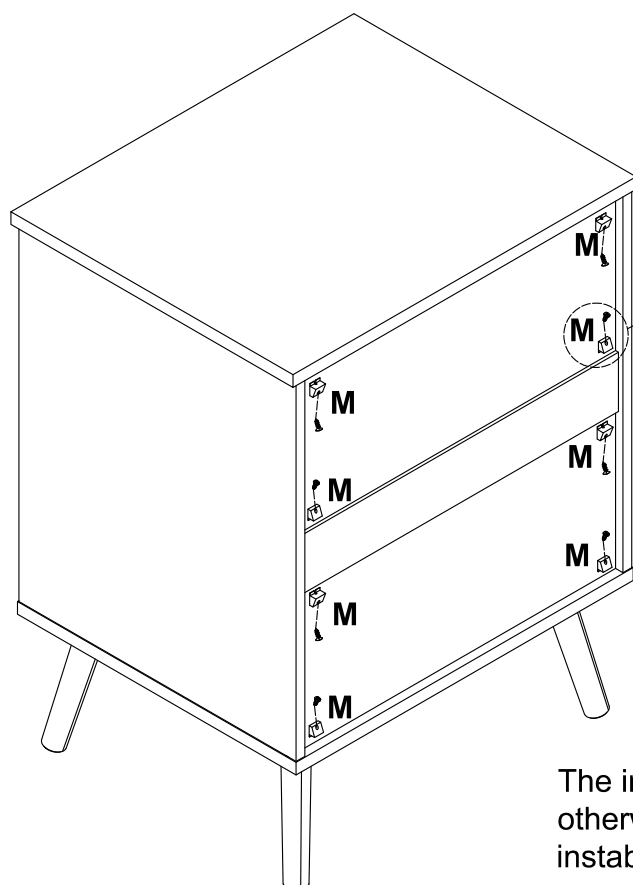
15.



Using Cover-up Sticker (F)*20 to cover the exposed part of Screws.



16.



The installation of Accessory M is mandatory; otherwise, the cabinet may experience instability or vibration.