



GLASS COFFEE TABLE

SAFETY & WARNINGS

Warning

- Do not place very hot or very cold items on the glass surface(s) unless adequately thick table mats are used to prevent such items from coming into contact with the glass.
- Do not sit or stand upon the glass surface(s).
- Do not use the glass as a chopping surface. Do not strike the glass with hard or pointed items.
- When cleaning glass panels use a damp cloth or leather with washing up liquid or soft soap if necessary, do not use washing powders or any other substance containing abrasives since these substances scratch glass.

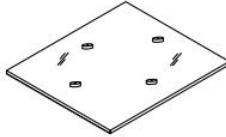
Safety Information

- Check you have all the components and tools listed on pages 3.
- Remove all fittings from the plastic bags and separate them into their groups.
- Keep children and animals away from the work area small parts could choke if swallowed.
- Make sure you have enough space to layout the parts before starting.
- Do not stand or put excessive weight on the product this could cause damage.
- Parts of the assembly will be easier with 2 people.
- Place the product on flat and steady surface during use.
- Assemble on a soft level surface to avoid damaging the unit or your floor.
- Only upon completion of the assembly should all fixing points be fully tightened.

COMPONENTS



A: Table Leg (x4)



B: Tempered Glass
Tabletop (x1)



C: Connector (x1)



D: Screw (x4)
M8 x 13



E: Washer (x8)
 $\Phi 8 \times \varphi 19 \times 1.0$



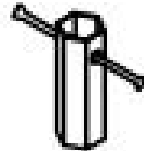
F: Nut (x4)
M8



G: Dowel (x4)
M8 x 20



H: Allen Key (x1)
5#



I: Hexagon Socket
Wrench (x1)
M8

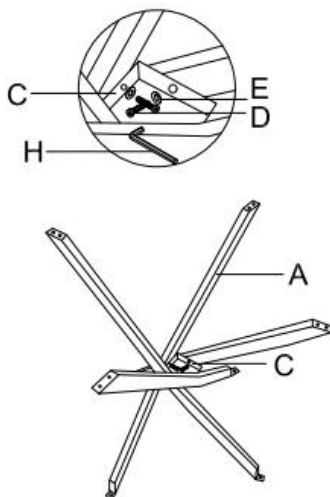


J: Glide (x4)
M6

INSTALLATION

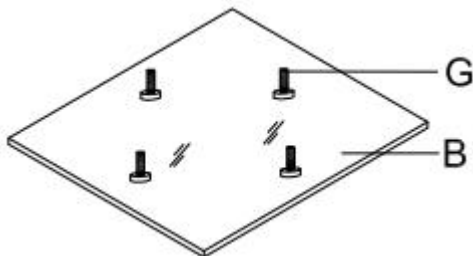
Step 1

Connect four table legs (A) together with connector (C), washers (E) and screws (D) using Allen key (H).



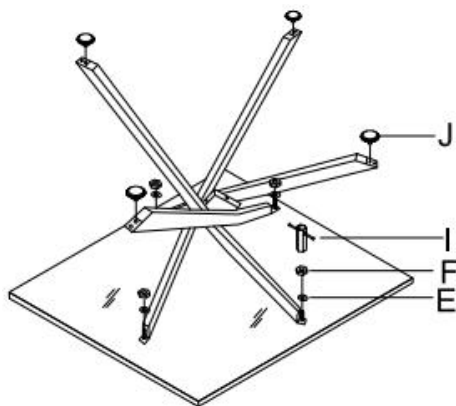
Step 2

Place the tempered glass tabletop (B) upside down on a flat and non-abrasive surface. Insert dowel (G) into tempered glass tabletop (B).



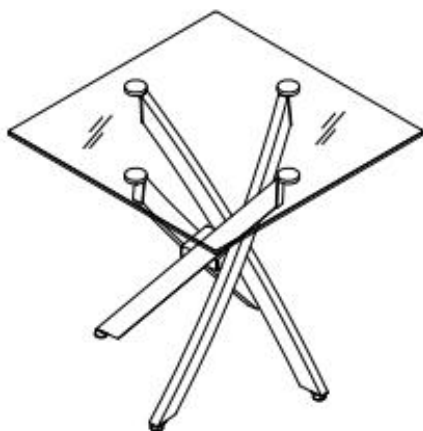
Step 3

Attach table legs (A) to the tempered glass tabletop (B) with washers (E) and nuts (F) by using the hexagon socket wrench (I). Attach glides (J) to the bottom of table legs (A).



Step 4

Carefully place the table face up.



CLEANING & CARE

- Wipe regularly with clean water and a damp, clean, soft white cloth.
- General cleaning can be done as needed with a mild detergent and water solution.
- Always rinse with clean water and dry. For heavy soiling, dampen a soft white cloth or soft bristle brush. Use care as scrubbing can damage the surface.
- DO NOT use any cleaners with corrosive ingredients (lye, acids or ammonia).
- This product should not be discarded with household waste. Take to your local authority waste disposal centre.