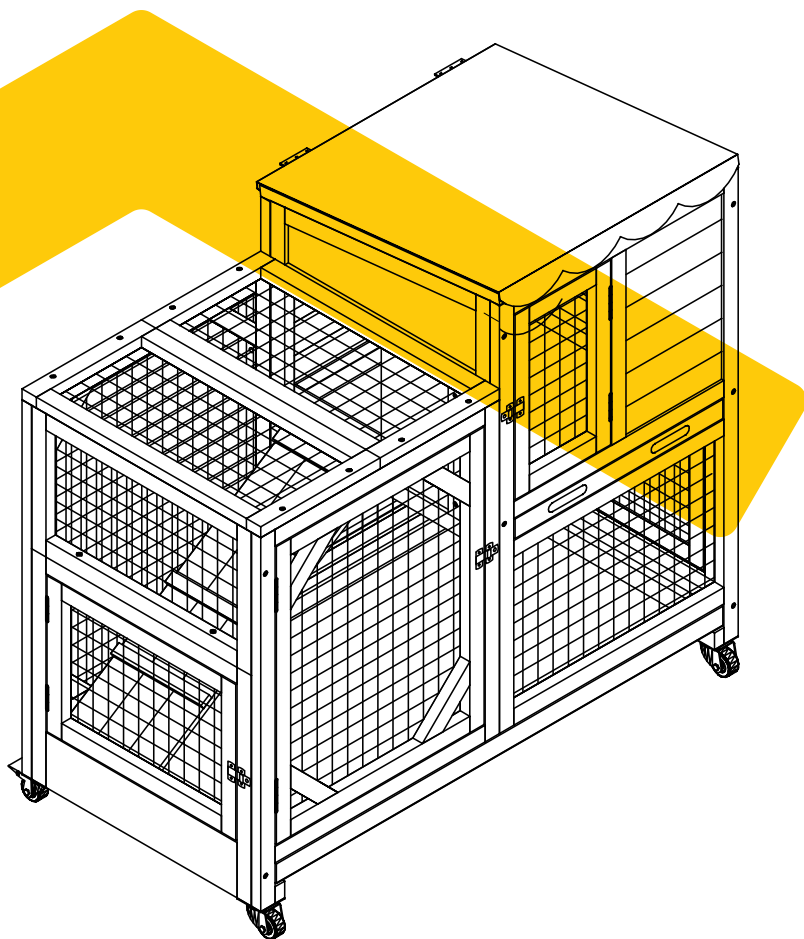


INSTRUCTION MANUAL





NOTICE

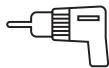
Please retain these instructions for future reference.

- Firmly secure all bolts,screws and knobs before use.
- Reconfirm that all bolts,screws,and knobs are secure every 90 days.
- Fasten screws loosely during initial assembly. Do not fully tighten screws until the item is completely assembled.
- Do not use or store this item in the proximity of open flame or flammable/combustible chemicals.
- Be aware that some parts are heavy and have sharp edges.
- Be aware that moving parts can injure,crush and cut.
- If any parts are missing,broken,damaged,or worn,stop using this product until repairs are made and/or factory replacement parts are installed.
- Do not use this item in a way inconsistent with the manufacturer' s instructions as this could void the product warranty.

TOOLS REQUIRED //



PHILLIPS
SCREWDRIVER



DRILL
(RECOMMENDED)



2PERSON
ASSEMBLY



APPROXIMATELY
45MIN. ASSEMBLY

HARDWARE //

M3.5x50mm SCREW
6PCS+1 spare



P1

M3.5x40mm SCREW
22PCS+1 spare



P2

M3.5x25mm SCREW
16PCS+1 spare



P3

M3.0x16mm SCREW
10PCS+1 spare



P4

1PC



P5

4PCS



P6

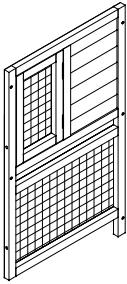
M3.0x16mm SCREW
16PCS+1 spare



P7

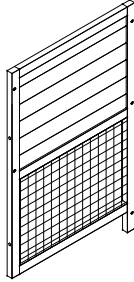
PARTS //

Right side front panel
1PC



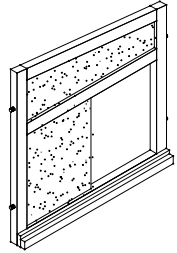
A

Right side back panel
1PC



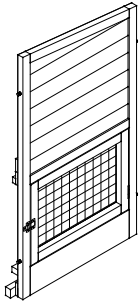
B

Left side panel
1PC



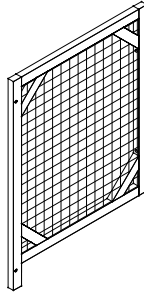
C

Right side panel
1PC



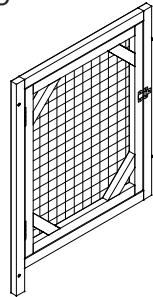
D

Left side back panel
1PC



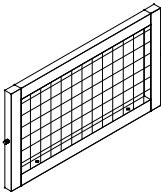
E

Left side front panel
1PC



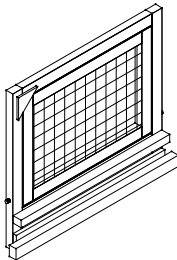
F

Left upper panel
1PC



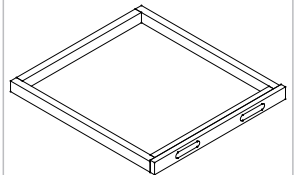
G

Left lower panel
1PC



H

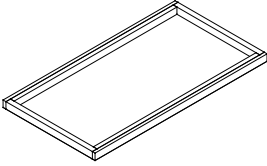
Right side tray
1PC



I

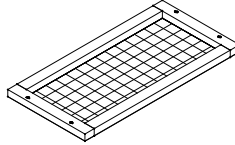
PARTS

Bottom tray
1PC



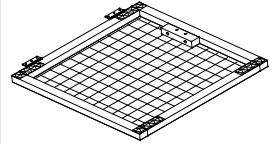
J

Left side roofs
2PCS



K

Right side roof
1PC



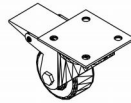
L

Casters without brake
2PCS



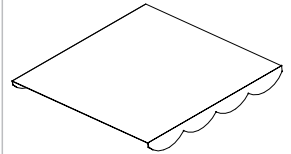
M

Brake Casters
2PCS



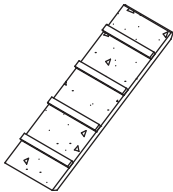
N

Roof covering
1PC



O

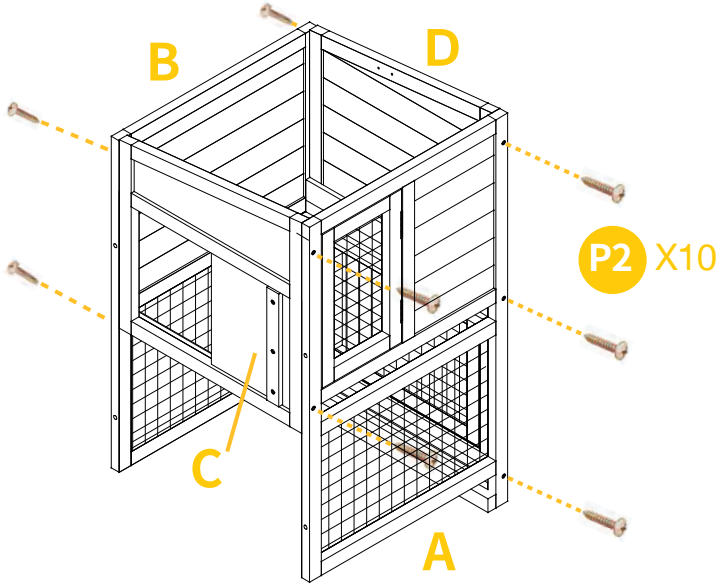
Ramp
1PC



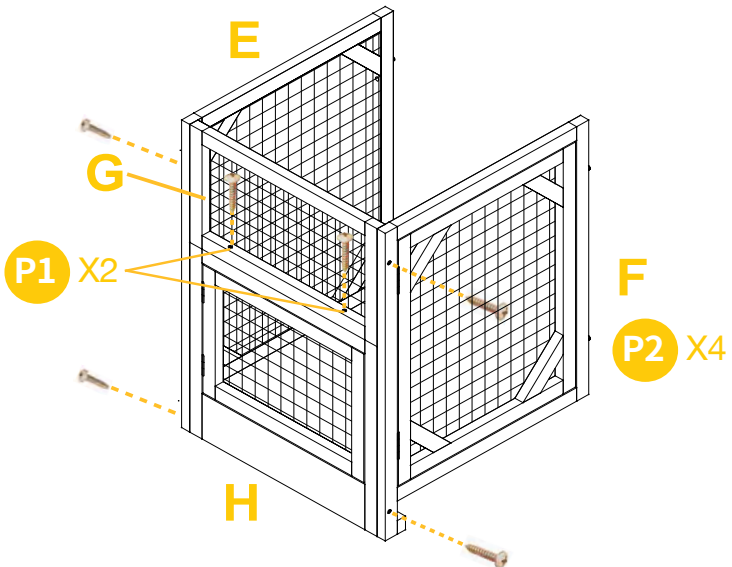
P

PRODUCT ASSEMBLY //

- 01** Attach the front and back panels Part A and B to the side panels Part C and D with 10pcs of P2 screws.

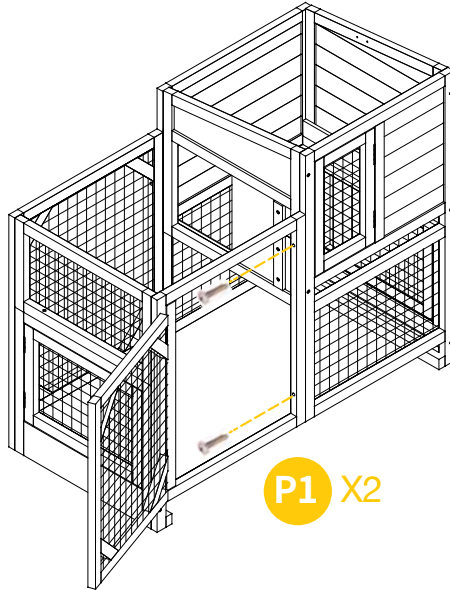


- 02** Attach the left upper and lower panels Part G and H with 2pcs of P1 screws.
Attach the front and back panels Part E and F to Part G and H with 4pcs of P2 screws.

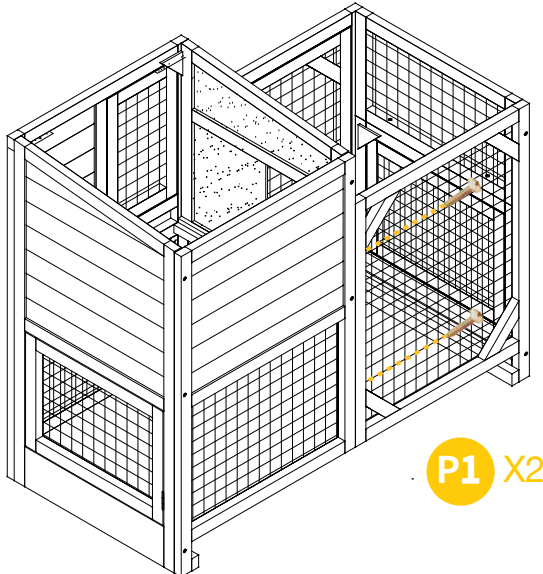


PRODUCT ASSEMBLY //

03 Attach the fronts of above two parts together with 2pcs of P1 screws.



04 Attach the backs of above two parts together with 2pcs of P1 screws.

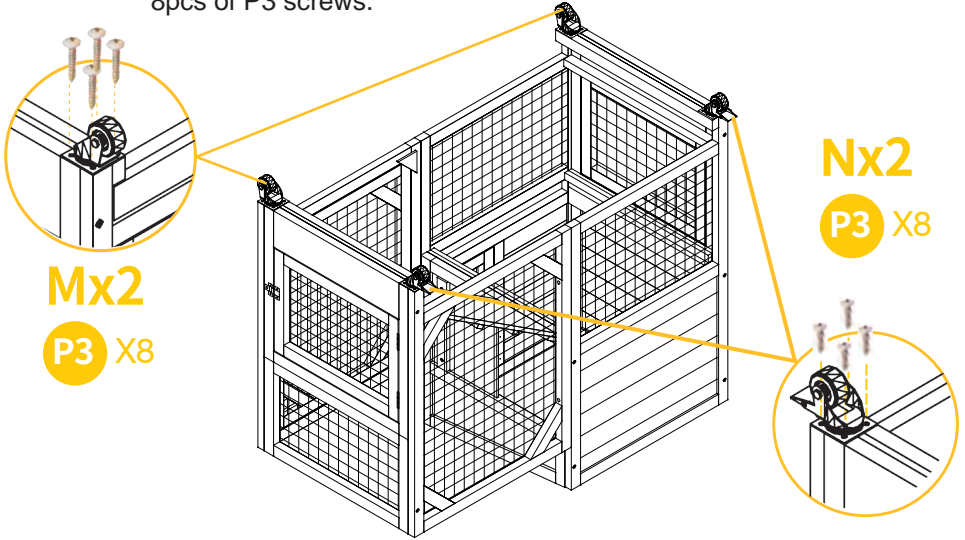


PRODUCT ASSEMBLY //

05

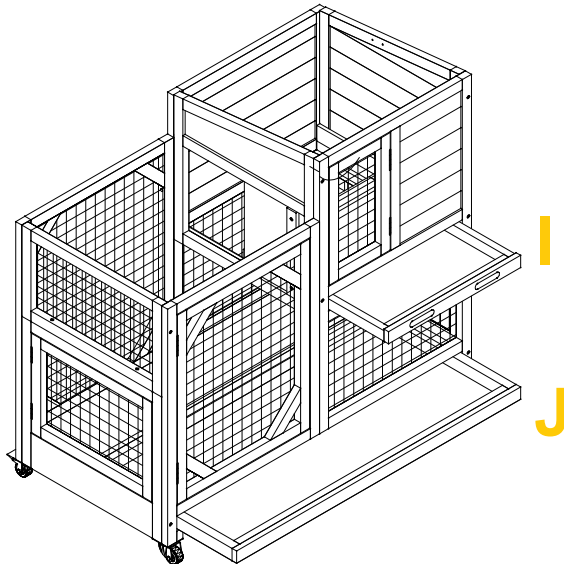
Attach two casters without brake (Part M) on the bottom of the front side with 8pcs of P3 screws.

Attach two brake casters (Part N) on the bottom of the back side with 8pcs of P3 screws.



06

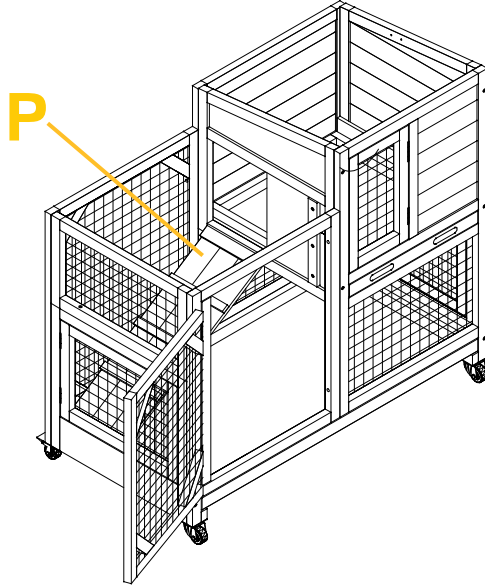
Slide in two trays.



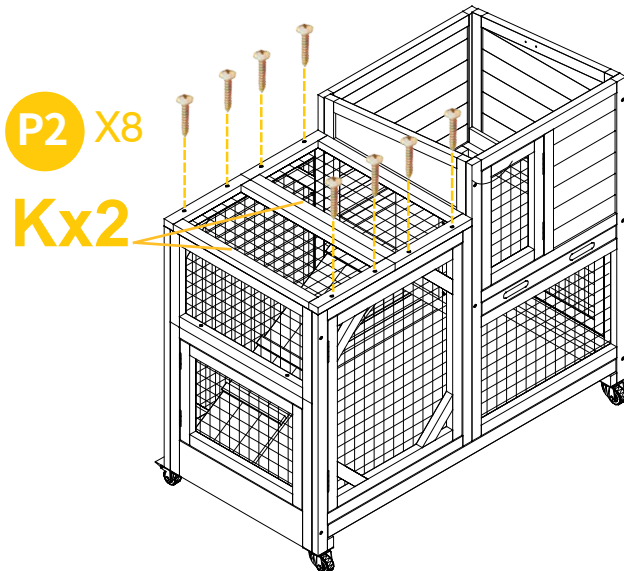
07

PRODUCT ASSEMBLY //

07 Put the ramp (Part P) inside.

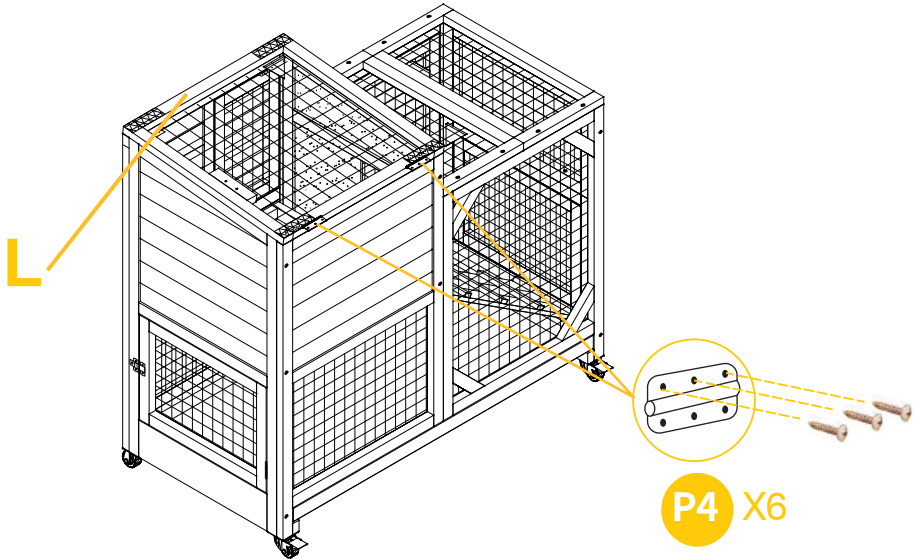


08 Attach 2pcs of roof (Part K) with 8pcs of P2 screws.

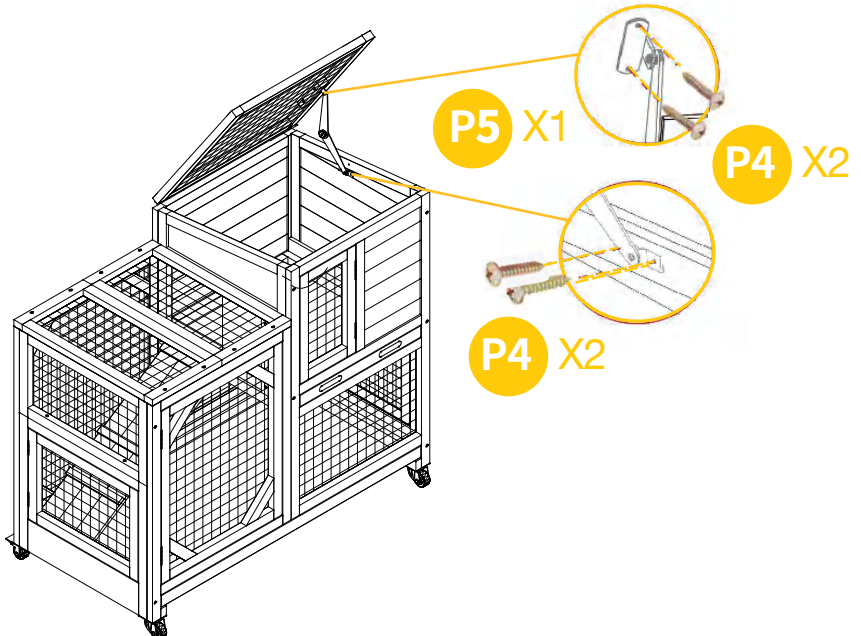


PRODUCT ASSEMBLY //

09 Attach the side of the roof near the back with 6pcs of P4 screws.



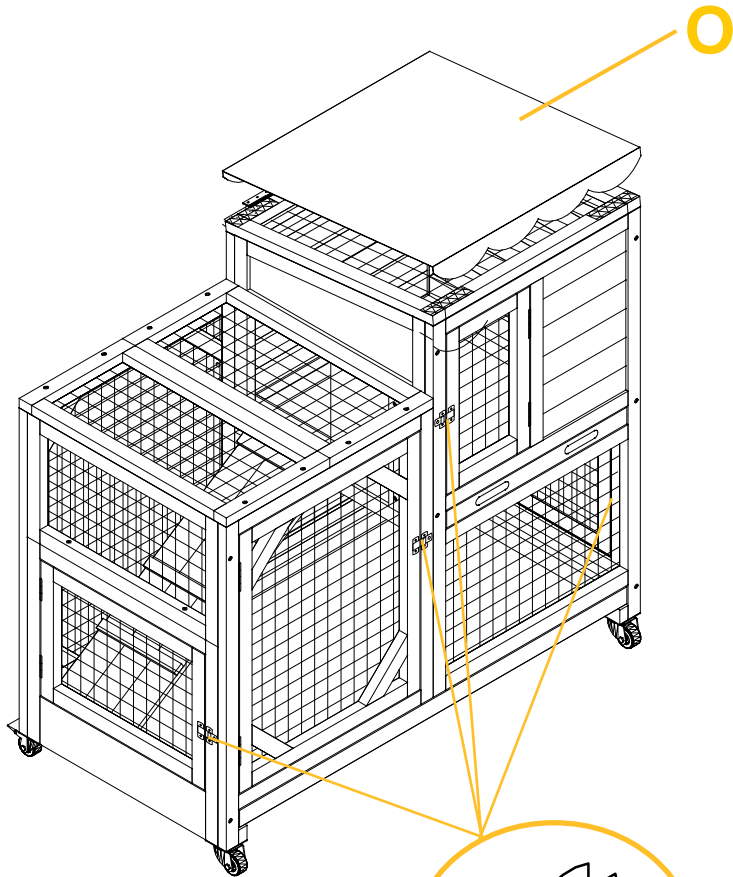
10 Attach P5 between the roof and the inside with 4pcs of P4 screws.



PRODUCT ASSEMBLY //

11

Attach P6 on the door with 16pcs of P7 screws.
Place roof covering (Part O).



P6 X4

P7 X16

