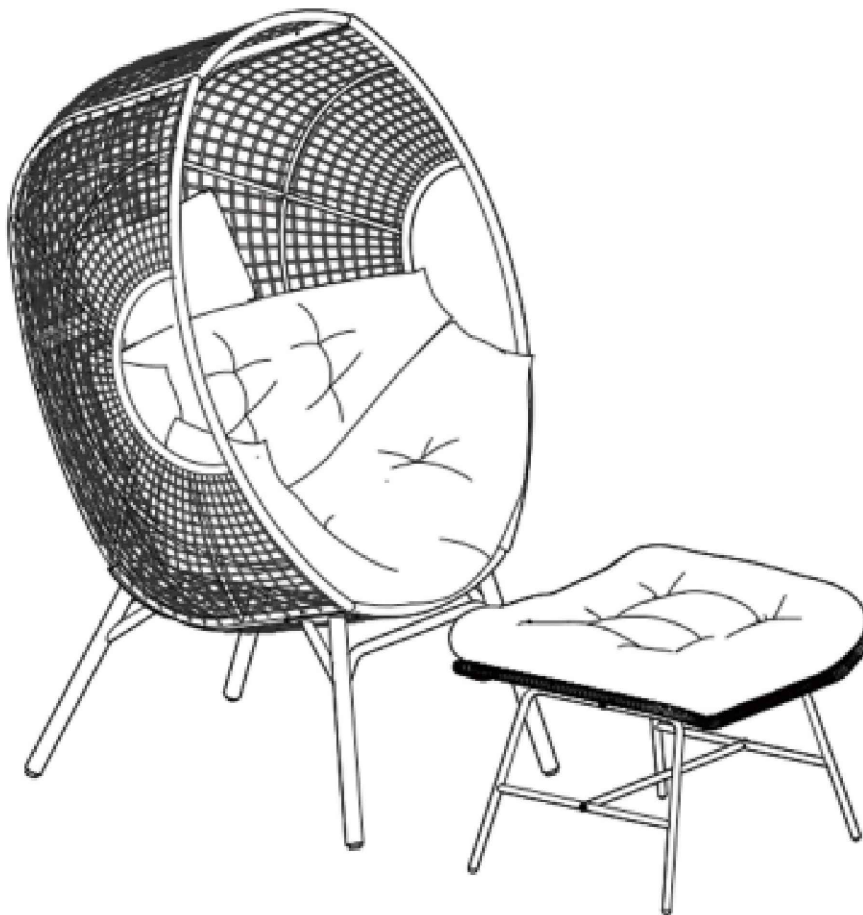


SINGLE EGG CHAIR



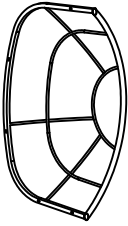
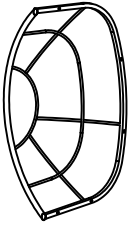
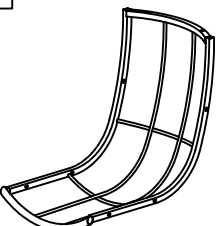
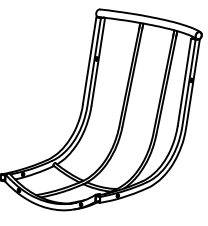
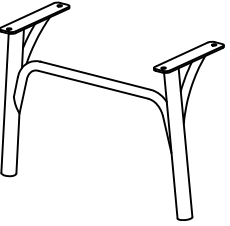
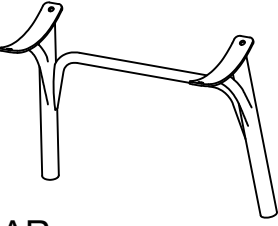
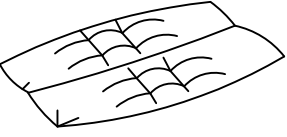
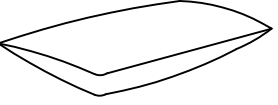
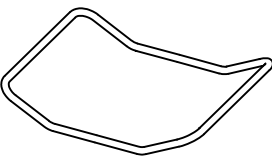
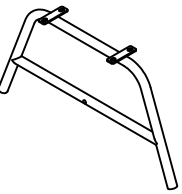
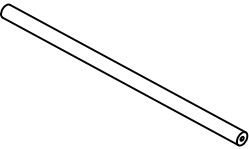
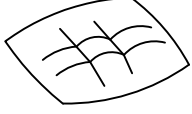
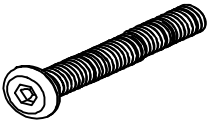
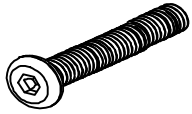
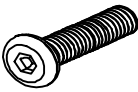





ATTENTION Section:

1. If you encounter any issues, such as missing accessories or damaged parts, please contact us immediately and include pictures.

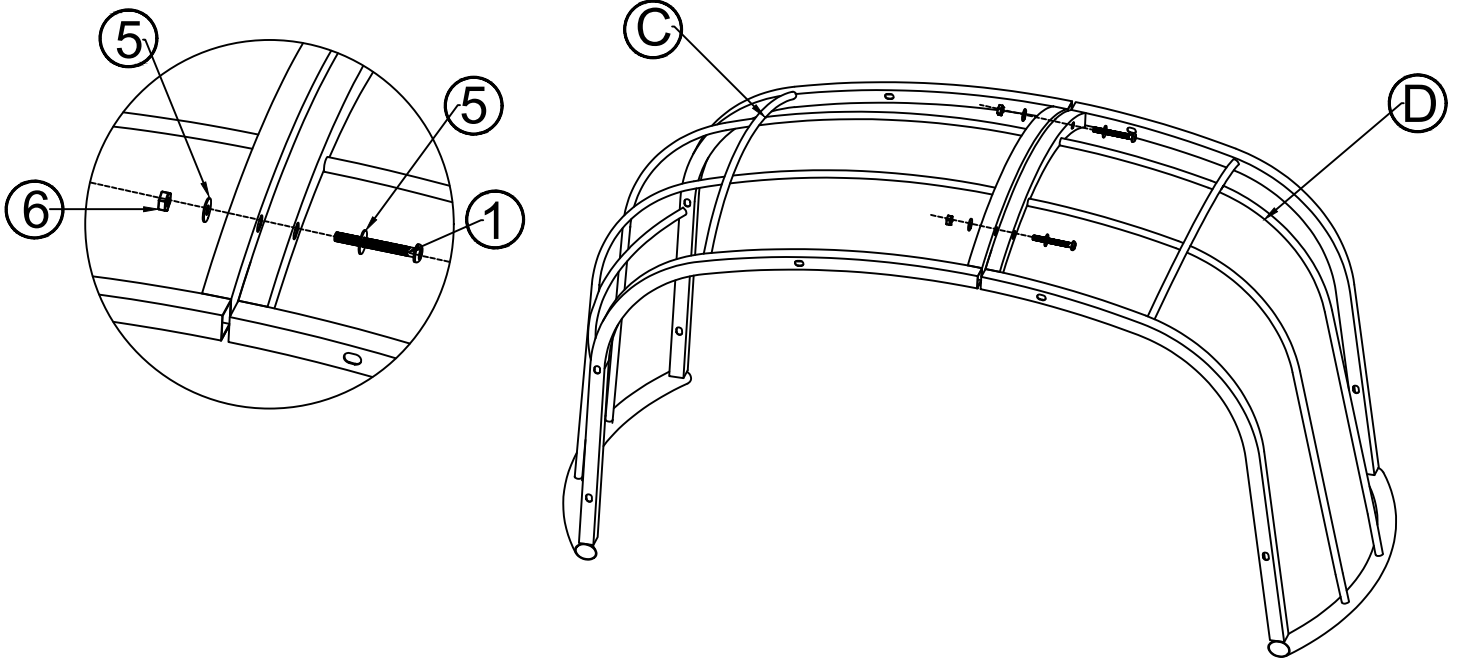
Assembly Instructions:

1. Assembly requires two people to complete.
2. For optimal assembly, we highly recommend using the provided Allen key.
If using a power tool, please set it to a low speed to prevent any damage
3. Do not fully tighten the screws until all screws are properly aligned with their holes.

PARTS LIST OF BOX A

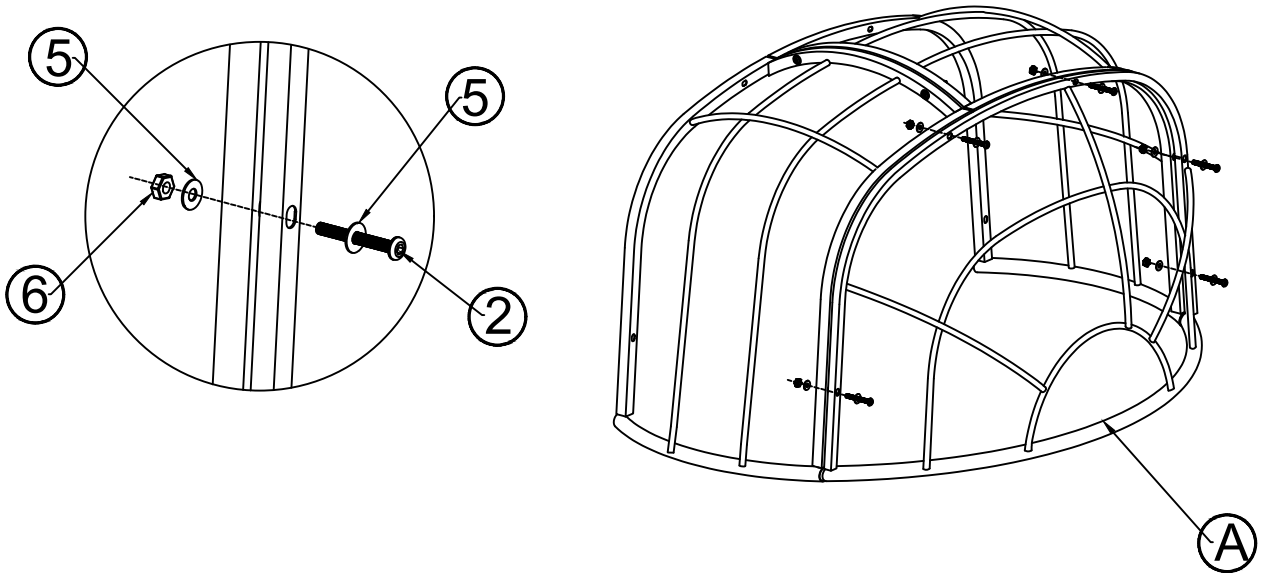
<p>A</p>  <p>LEFT PLATE 1pc</p>	<p>B</p>  <p>RIGHT PLATE 1pc</p>	<p>C</p>  <p>SEAT PLATE 1pc</p>	<p>D</p>  <p>TOP PLATE 1pc</p>
<p>E</p>  <p>FRONT CHAIR LEGS 1pc</p>	<p>F</p>  <p>REAR CHAIR LEGS 1pc</p>	<p>G</p>  <p>SEAT CUSHION 1pc</p>	<p>H</p>  <p>NECK PILLOW 1pc</p>
<p>I</p>  <p>PANEL OF FOOTSTOOL 1pc</p>	<p>J</p>  <p>LEGS OF FOOTSTOOL 2pcs</p>	<p>K</p>  <p>CROSSBAR 1pc</p>	<p>L</p>  <p>CUSHION OF FOOTSTOOL 1pc</p>
<p>①</p>  <p>M6*55 2pcs</p>	<p>②</p>  <p>M6*50 10pcs</p>	<p>③</p>  <p>M6*30 2pcs</p>	<p>④</p>  <p>M6*18 16pcs</p>
<p>⑤</p>  <p>M6 42pcs</p>	<p>⑥</p>  <p>M6 12pcs</p>	<p>⑦</p>  <p>M6 1pc</p>	<p>⑧</p>  <p>M6 1pc</p>

STEP 1



C*1pc	D*1pc	①*2pcs	⑤*4pcs	⑥*2pcs	⑦*1pc	⑧*1pc

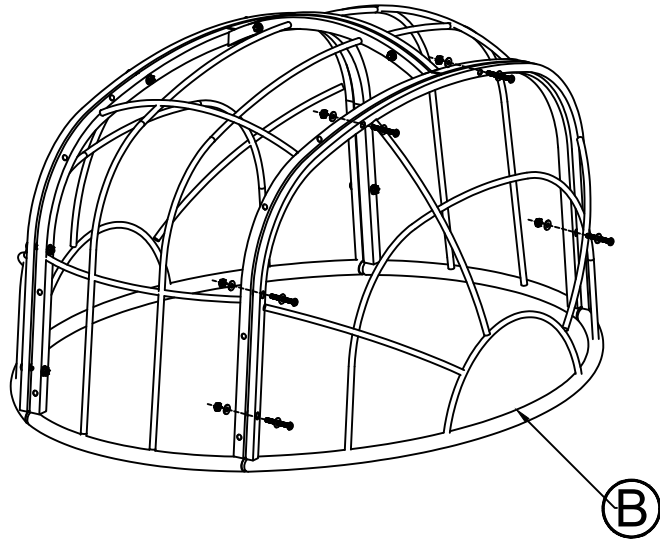
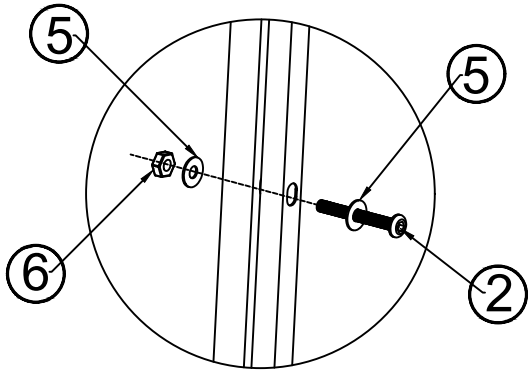
STEP 2



A*1pc	②*5pcs	⑤*10pcs	⑥*5pcs	⑦*1pc	⑧*1pc

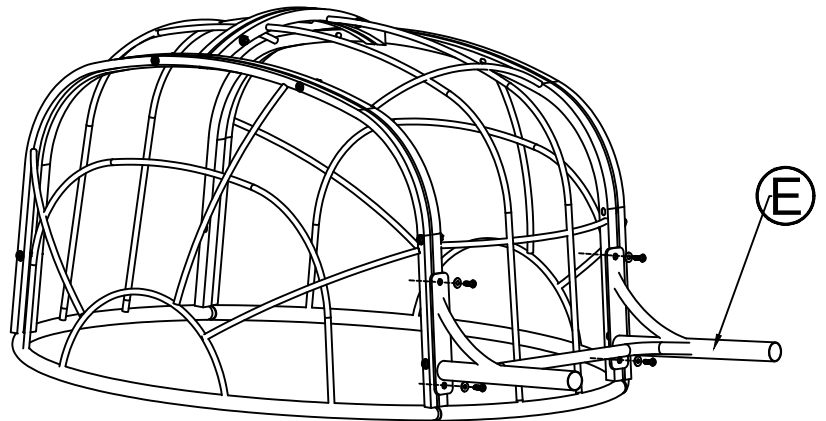
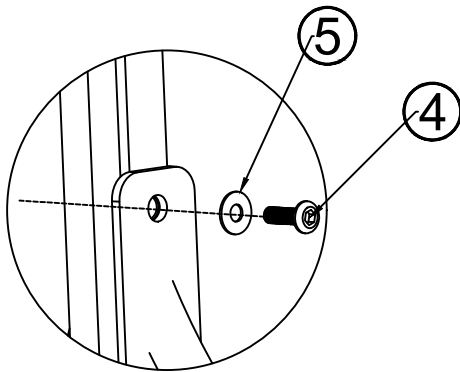
Do not fully tighten all screws until assembly is completed.

STEP 3



B*1pc	②*5pcs	⑤*10pcs	⑥*5pcs	⑦*1pc	⑧*1pc
	 M6*50	 M6	 M6	 ALLEN KEY M6	 M6

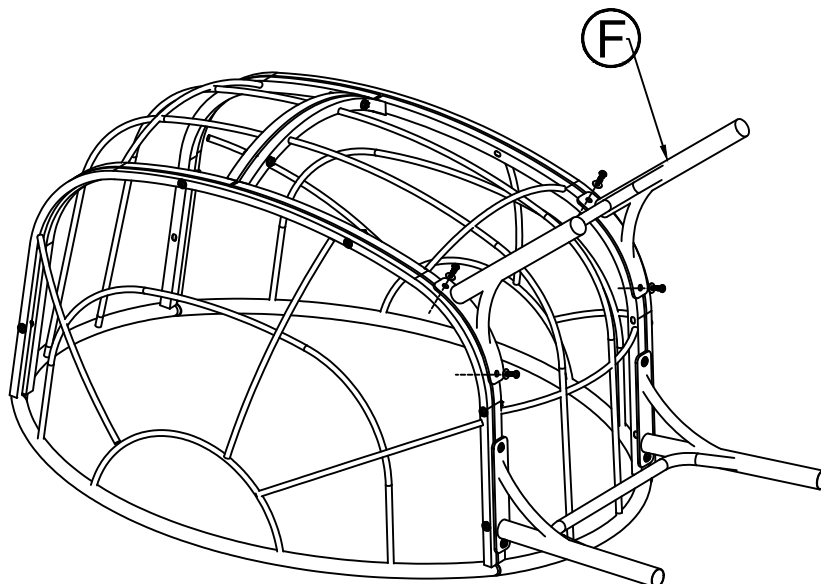
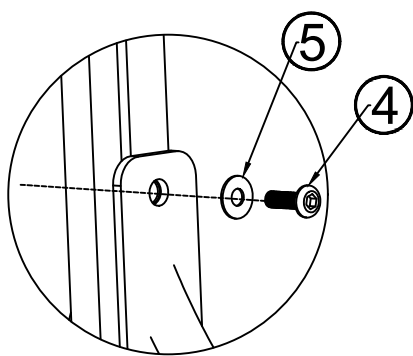
STEP 4



E*1pc	④*4pcs	⑤*4pcs	⑦*1pc
	 M6*18	 M6	 ALLEN KEY M6

Do not fully tighten all screws until assembly is completed.

STEP 5

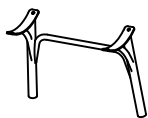


F*1pc

④*4pcs

⑤*4pcs

⑦*1pc



M6*18

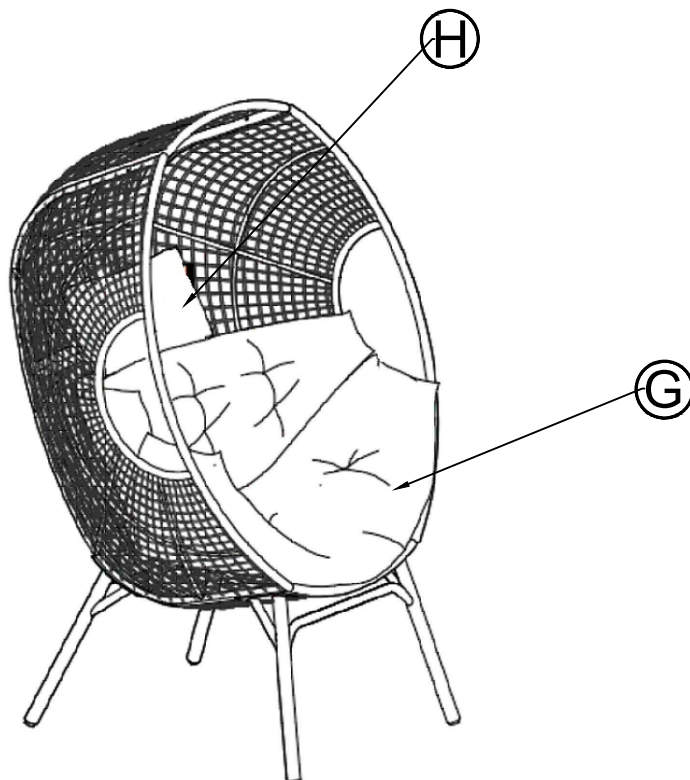


M6



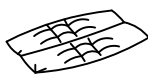
ALLEN KEY M6

STEP 6



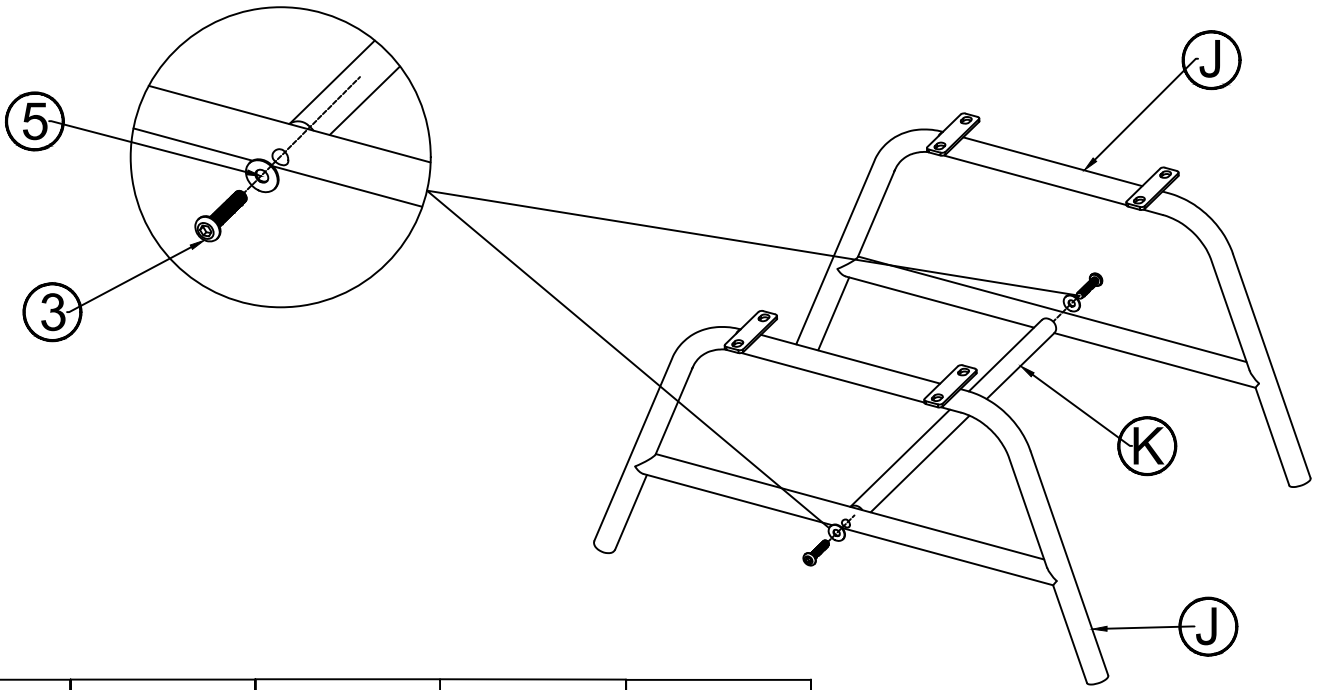
G*1pc


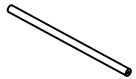



H*1pc



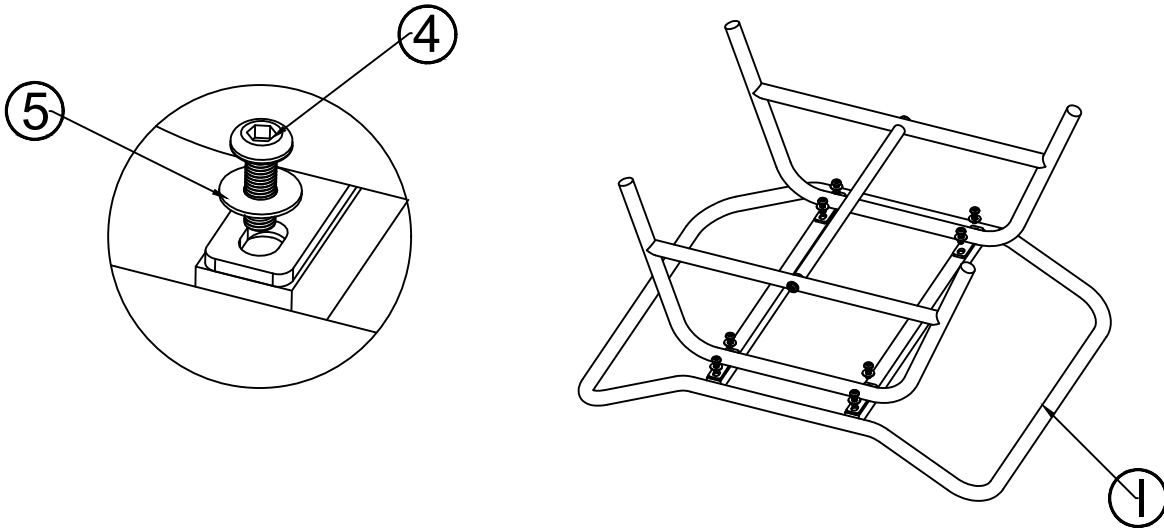
Do not fully tighten all screws until assembly is completed.





STEP 7



J*2pcs	K*1pc	③*2pcs	⑤*2pcs	⑦*1pc
				
		M6*30	M6	ALLEN KEY M6

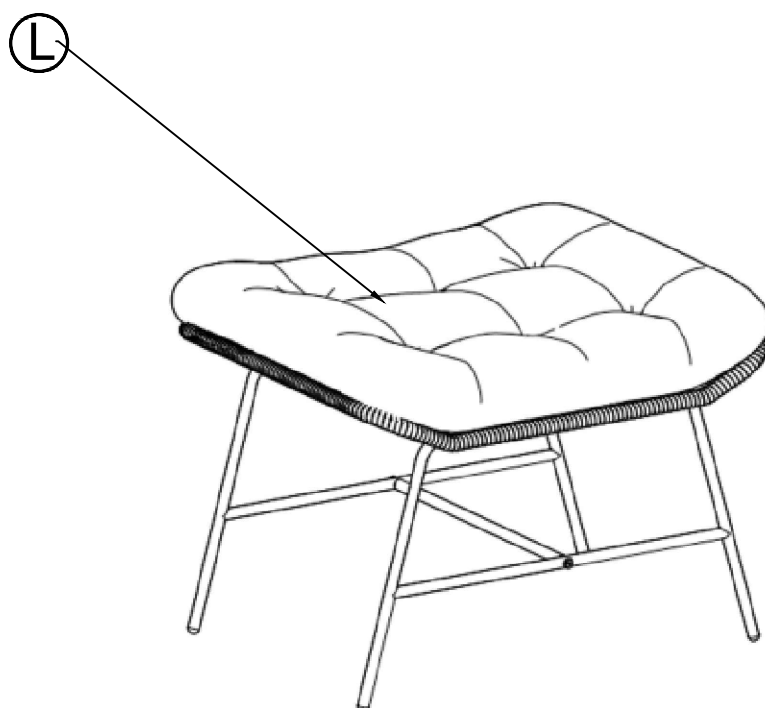
STEP 8



I*1pc	④*8pcs	⑤*8pcs	⑦*1pc
			
	M6*18	M6	ALLEN KEY M6

Do not fully tighten all screws until assembly is completed.

STEP 9



L*1pc



Do not fully tighten all screws until assembly is completed.