

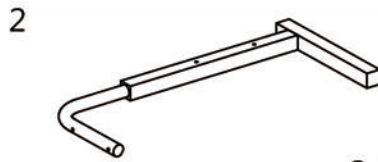
ASSEMBLY INSTRUCTION

ITEM:

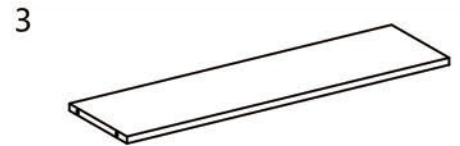


800*400

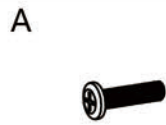
1 Pc



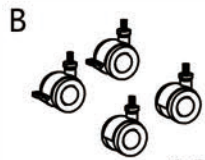
2 Pcs



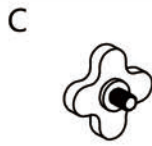
1 Pc



M6*35 4 Pcs



4 Pcs



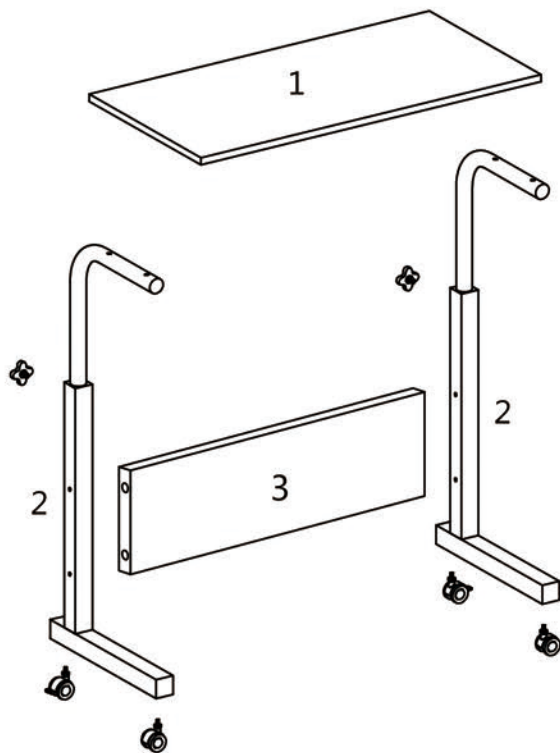
2 Pcs



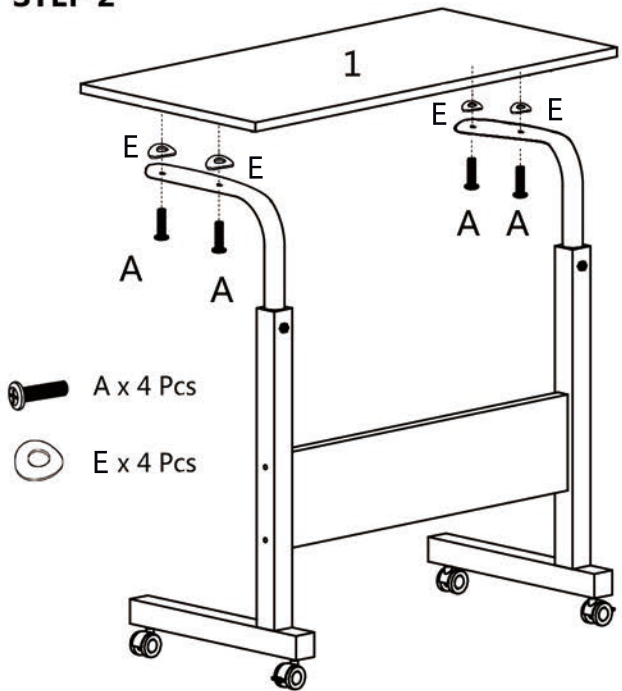
M5*60 4 Pcs



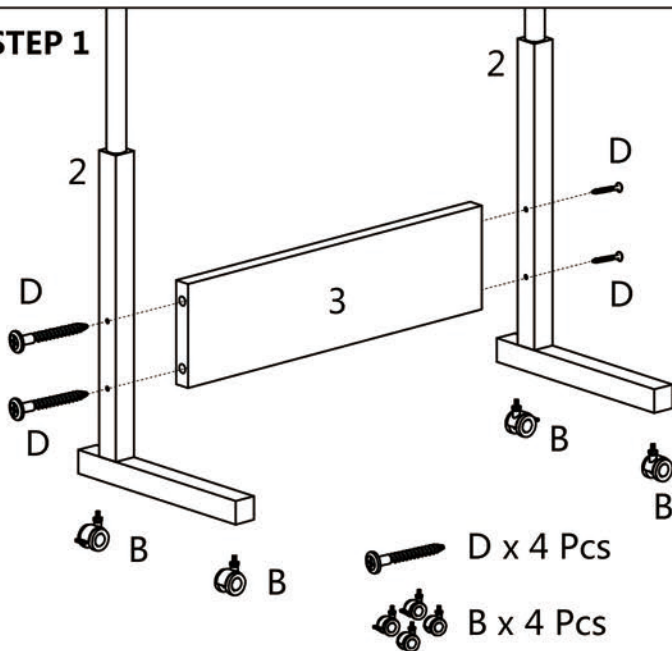
4 Pcs



STEP 2



STEP 1



STEP 3

