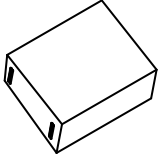


ASSEMBLY INSTRUCTION

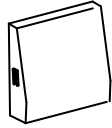
CHAIR

A Seat Frame



1pc

B Back Frame



1pc

C Left Panel



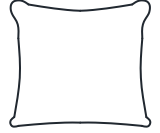
1pc

D Right Panel



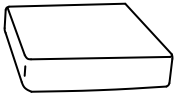
1pc

E Back Cushion



1pc

F Seat Cushion



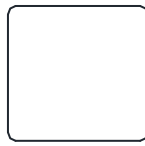
1pc

G Seat Cover



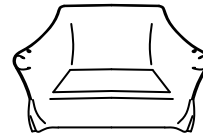
1pc

H Back Cover

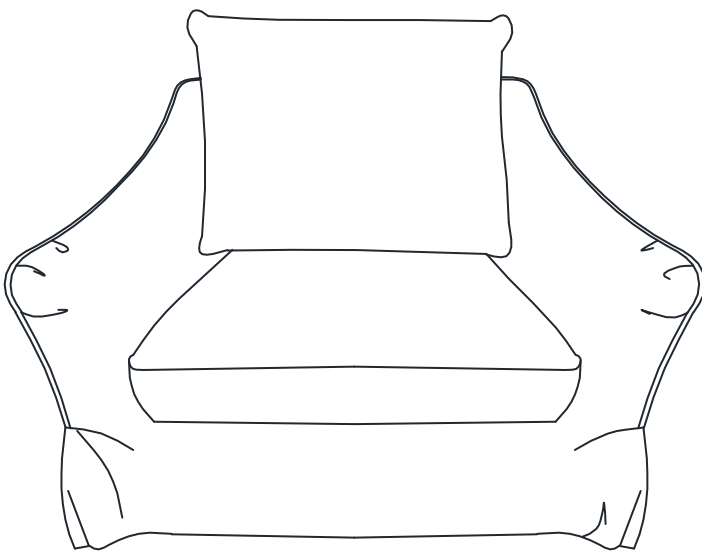


1pc

I Fabric Chair Cover

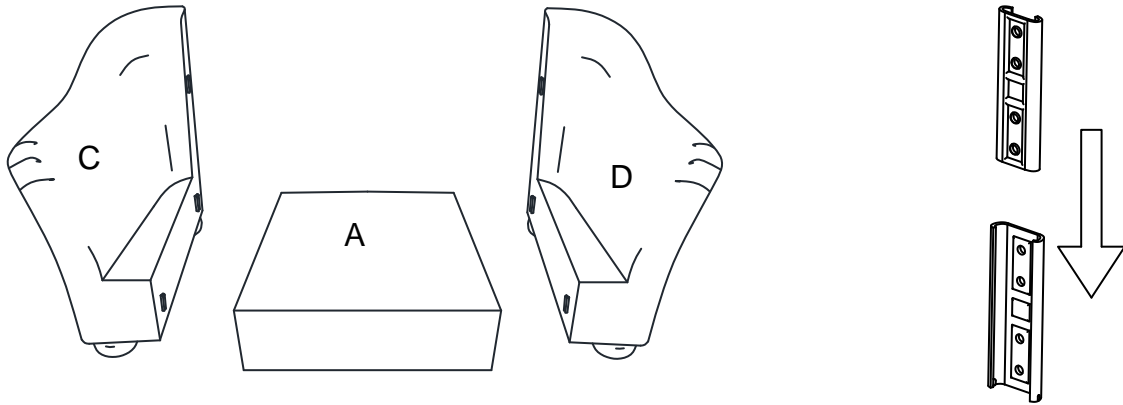


1pc

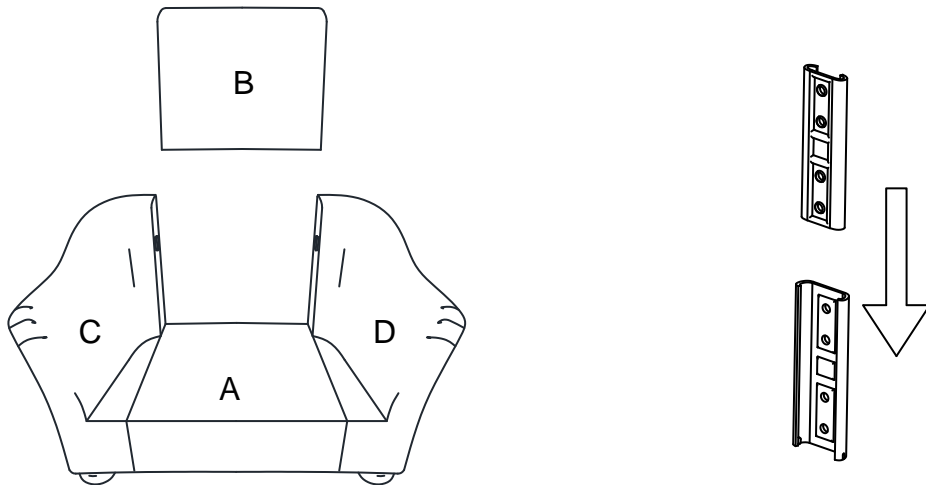


This page lists all the contents included in the box. Please take the time to identify the hardware as well as the individual components to this product. As you unpack and prepare for assembly, place the contents on a carpeted or padded area to protect them from damage

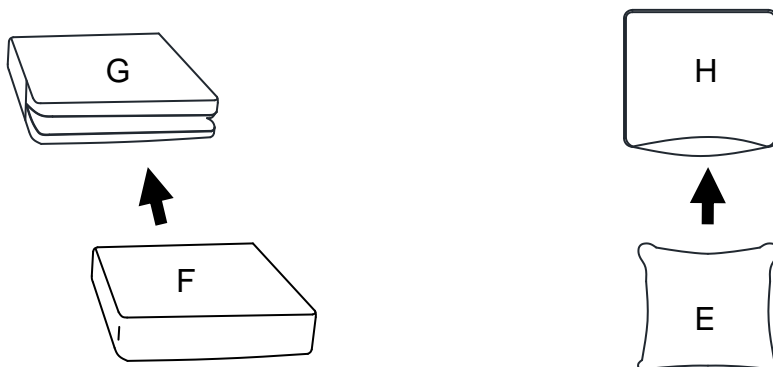
1 Hook on the Left Panel (C) & Right Panel (D) to Seat Frame (A) properly.



2 Hook on the Back Frame (B) to Left Panel (C) & Right Panel (D) properly.

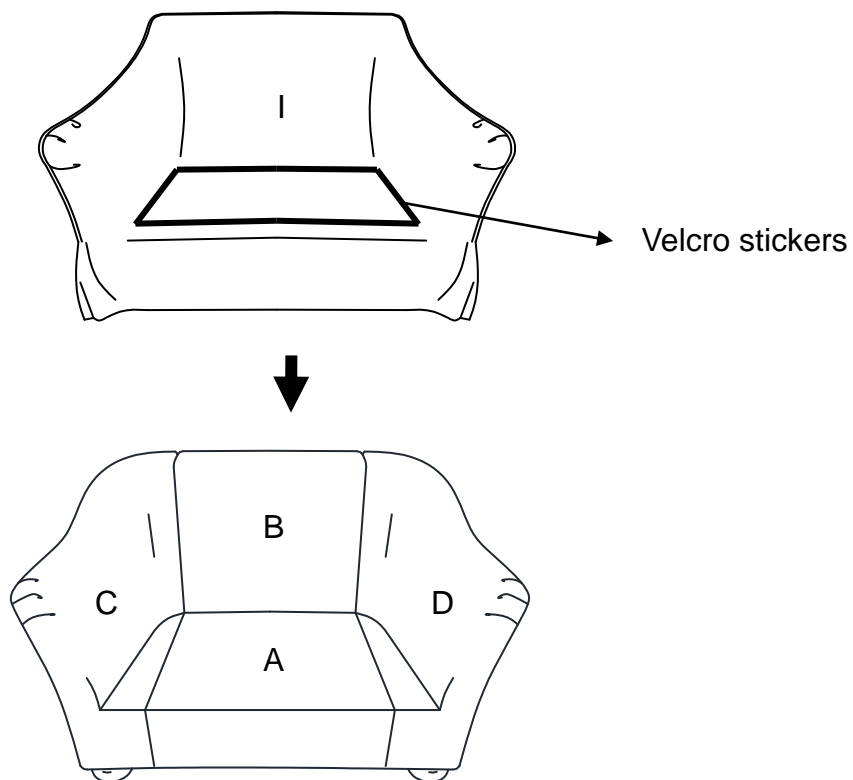


3 Put Seat Cushion (F) and Back Cushion (E) into Seat Cover (G) and Back Cover (H) separately.



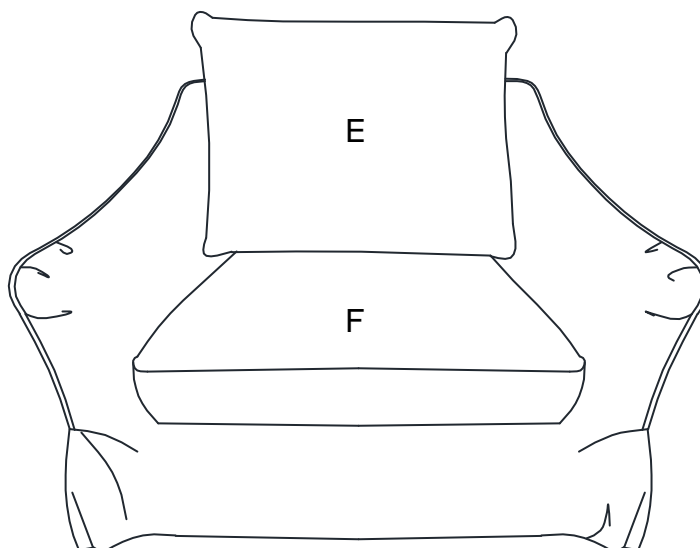
4

Fabric Chair Cover (I) to cover on the chair and use Velcro stickers for fix.



5

Put Seat Cushion (F) and Back Cushion (E) on the chair in the right position.



Cleaning & Care

Treat surface with care. Surface is resistant to scratches but is not scratch resistant. Clean surfaces with a dry or damp soft cloth. Do not use abrasive cleaners. Hardware may loosen over time. Periodically check that all connections are tight