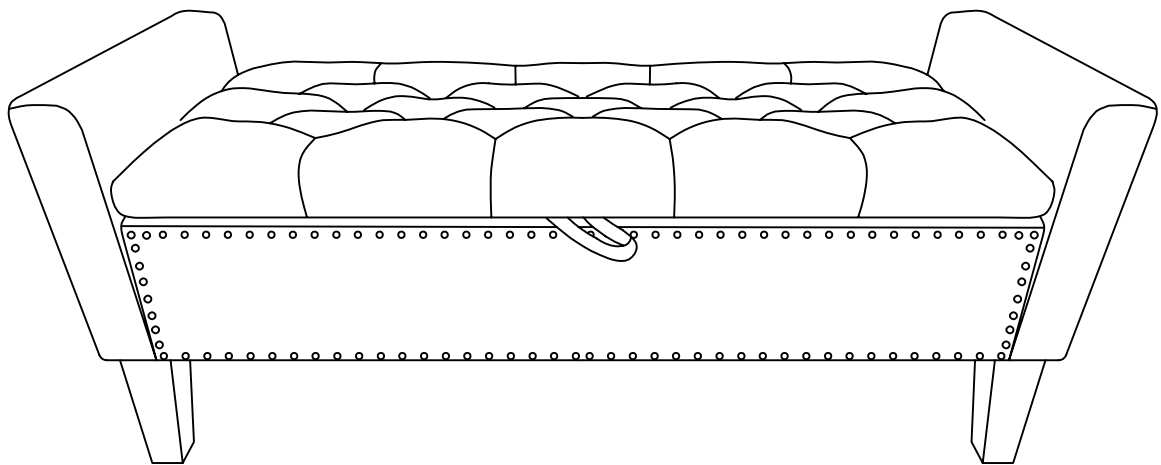
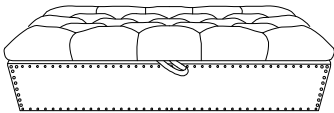
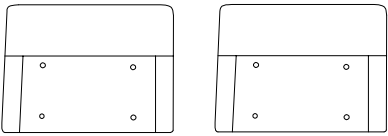
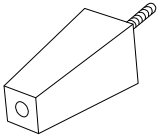
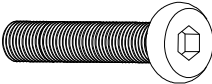

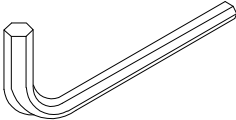
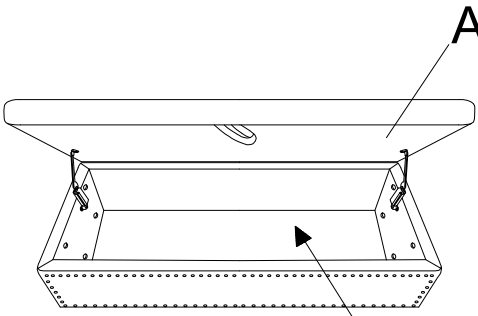
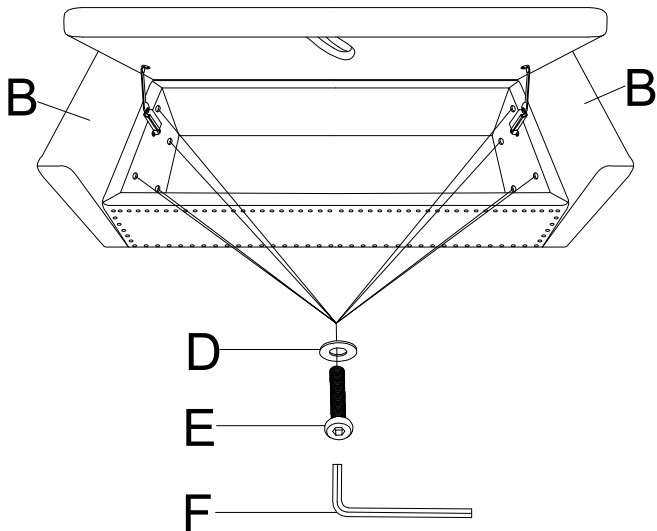
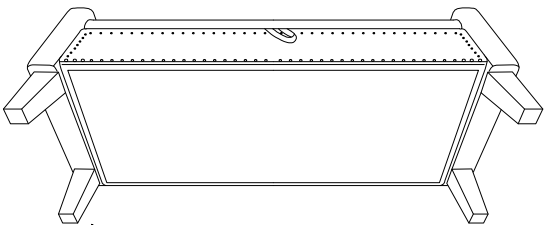


# Assembly instructions



# Packing List

<b>A</b>  Ottoman body 1 pc	<b>B</b>  Armrest 2 pcs	<b>C</b>  Wooden foot 4 pcs
<b>D</b>  8 pcs	<b>E</b>  8 pcs	<b>F</b>  1 pc

<b>Step 1</b>  Open the ottoman and take out all the accessories.	<b>Step 2</b>  D E F
<b>Step 3</b>  Lock the wooden feet clockwise.	<b>Step 4</b> 