

INSTALLATION & USER MANUAL

CEILING FAN WITH LIGHT

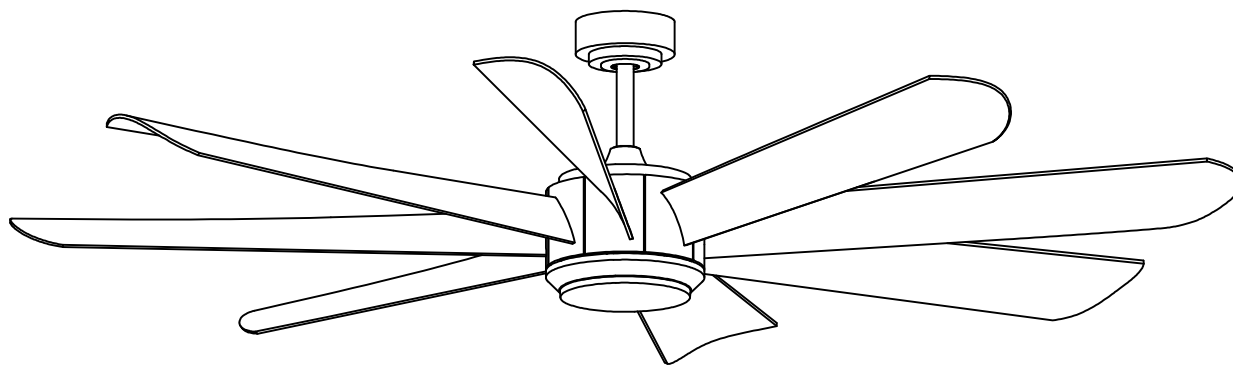


Table of Contents

Table of Contents.....	2	Exploded View.....	4
Safety Information.....	2	Installation Instructions.....	5
Dimension Reference.....	3	Troubleshooting Guide.....	12
Hardware Included.....	3	Balancing Kit.....	13
Fan Parts Included.....	3		

Safety Information

READ AND SAVE THESE INSTRUCTIONS.

1. To reduce the risk of electric shock, ensure electricity has been turned off at the circuit breaker or fuse box before you begin.
2. All wiring must be in accordance with the National Electrical Code “ANSI/NFPA 70” and local electrical codes. Electrical installation should be operated by a qualified licensed electrician.
3. The outlet box and support structure must be securely mounted and capable of reliably supporting a minimum of 35 lbs (15.9 kg). Use only UL Listed outlet boxes marked “Acceptable for Fan Support of 35 lbs. (15.9 kg) or less. ”
4. Do not place objects in the path of the blades.
5. To clean the fixture, turn off the power, wait for it to cool, and wipe the fixture with a clean, soft cloth.
6. After making electrical connections, spliced conductors should be turned upward and pushed carefully up into the outlet box. The wires should be spread apart with the grounded conductor and the equipment grounding conductor on one side of the outlet box and ungrounded conductor on the other side of the outlet box.
7. All set screws must be checked and tightened where necessary before installation.



WARNING: To reduce the risk of electrical shock or fire, not use this fan with any solid-state fan speed control device. It will permanently damage the electronic circuitry.



WARNING: To reduce the risk of personal injury, do not bend the blade brackets when installing the rackets balancing the blades, or cleaning the fan.



WARNING: To reduce the risk of fire, electric shock or personal injury, mount to outlet box marked “acceptable for fan support of 35 lbs. (15.9 Kg) or less” and use screws provided with the outlet box.



WARNING: To avoid possible electrical shock, turn the electricity off at the main fuse box before wiring.



WARNING: To reduce the risk of electrical shock, this must be installed with an isolating wall control / switch.



CAUTION: To reduce the risk of personal injury, use only the screws provided with the outlet box.



CAUTION: Please use carefully when working around or cleaning the fan to avoid injury or damage of fan.

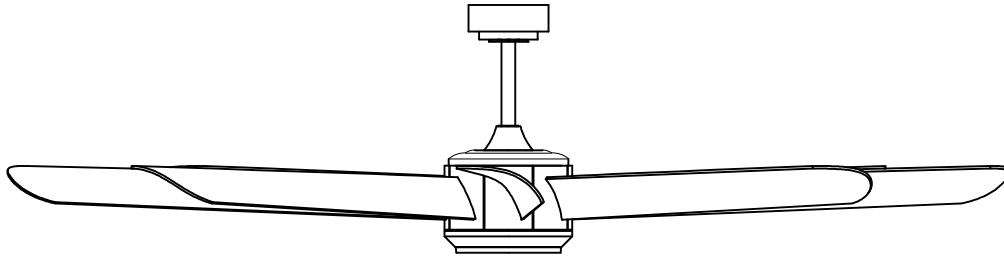


CAUTION: The fan must be mounted with a minimum of 7 ft (2.1 m) clearance from the trailing edge of the blades to the floor.

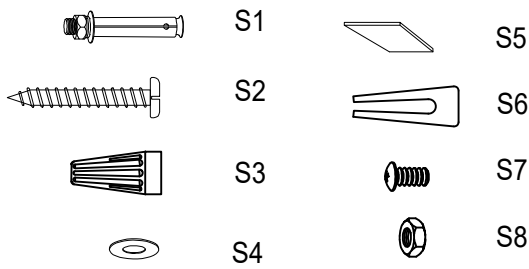


CAUTION: Changes or modifications not expressly approved by the party responsible for compliance could void the user 's authority to operate the equipment.

Dimension Reference

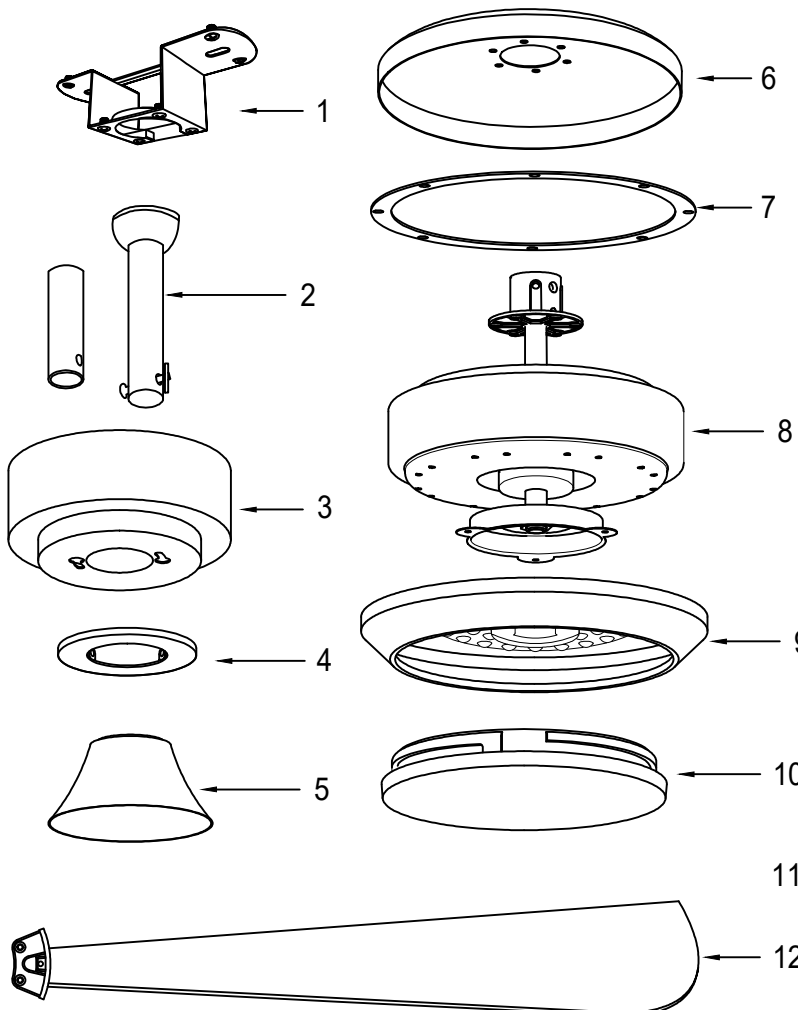


Hardware Included

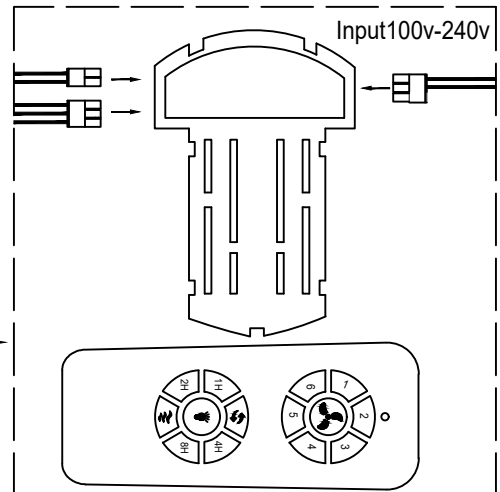


S1. Expansion Screw	2pcs
S2. Wood Screw	4pcs
S3. Wire Nut	3pcs
S4. Flat Washer	4pcs
S5. Balanced Patch	2pcs
S6. Balancing Clip	1pcs
S7. Screw	30pcs
S8. Nut	8pcs

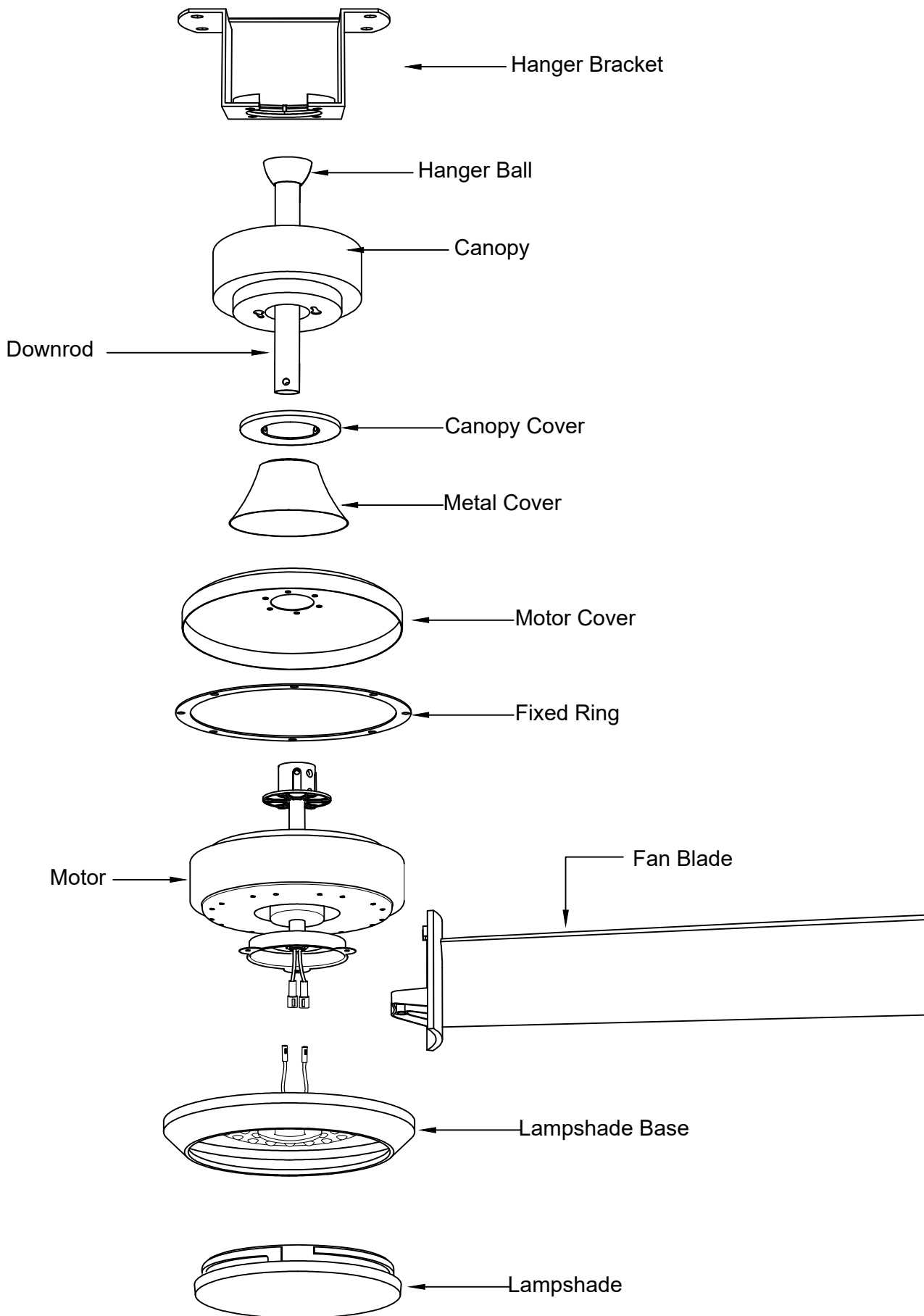
Fan Parts Included



	Quantity
1. Mounting Bracket	1
2. Downrod	1+1
3. Canopy	1
4. Canopy Cover	1
5. Metal Cover	1
6. Motor Cover	1
7. Fixed Ring	1
8. Motor	1
9. Lampshade Base	1
10. Lampshade	1
11. Remote Control	1
(Batteries Not Included)	
12. Fan Blade	8



Exploded View



Installation Instructions

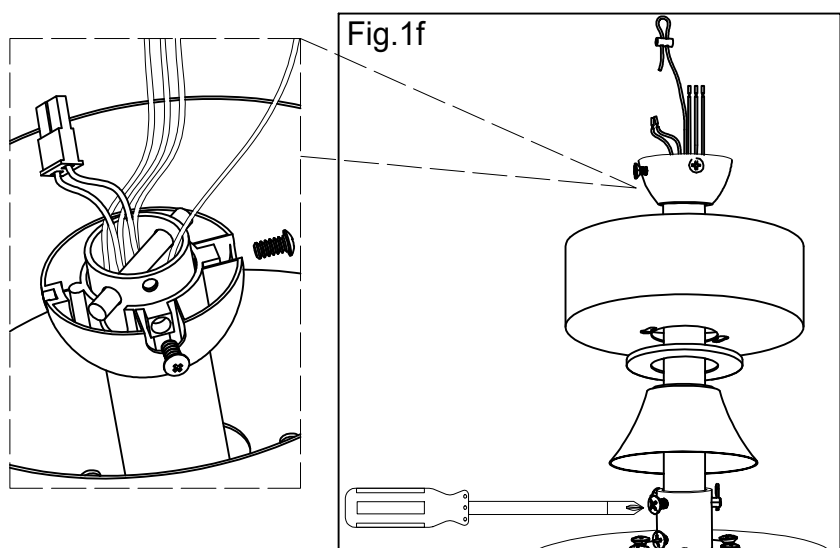
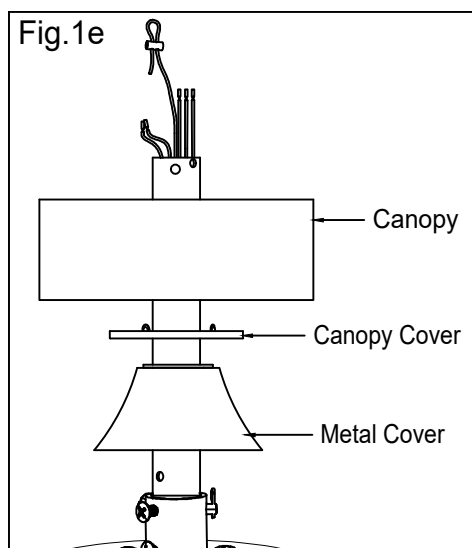
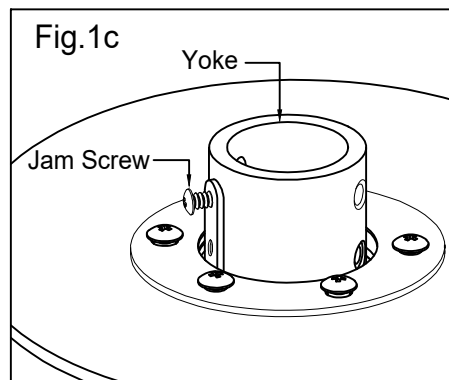
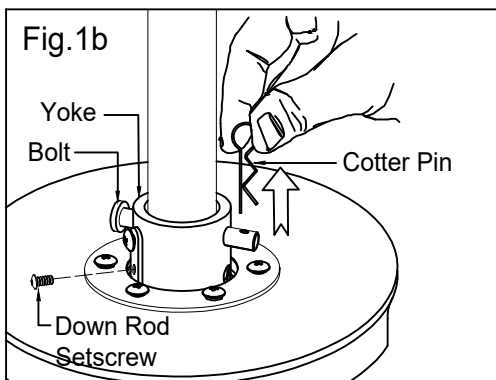
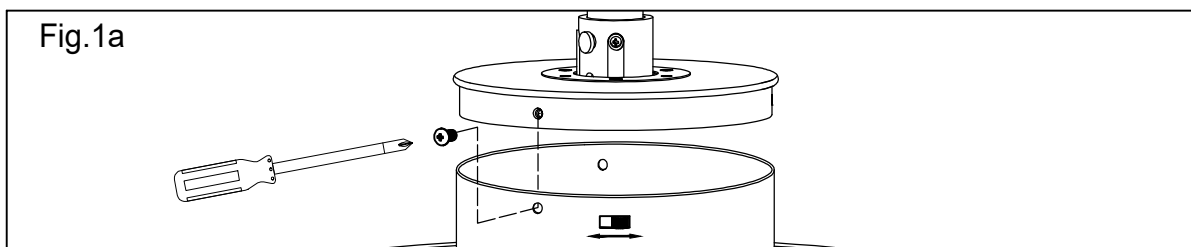
Step1 MOUNTING

- Take out fan motor housing.
- Align the lamp drum cover with the hole position on the motor and tighten it with screws. (Fig.1a)
- Remove cotter pin and bolt from yoke. (Fig.1b)
- Loosen jam screw in yoke until it is flush with the inside surface. (Fig.1c)
- Insert the down rod into the connection of the lamp body and lock the bolt with a cotter pin. (Fig.1d)
- Route wires exiting the motor through the yoke cover, canopy, and down rod. (Fig.1e)
- Insert bolt through the hole in and down rod. Be careful not to damage or cut the fan wires. (Fig.1f)
- Secure the down rod in position by tightening the jam screws. The side yoke cover is down and it will flush with the motor housing.

CAUTION: To ensure wobble-free operation and to avoid damage to the fan, the down rod and the set screw must be completely tightened.



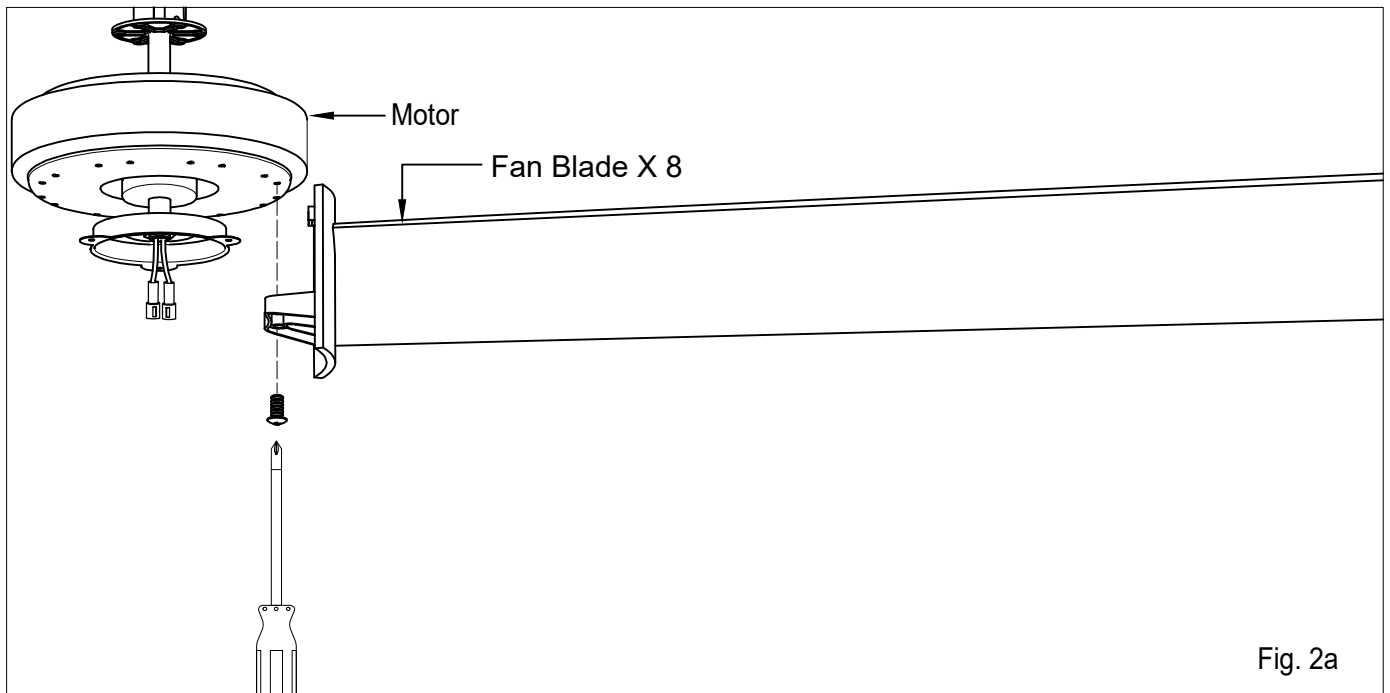
Warning:
For your safety, please turn off the power of the fuse box or circuit breaker before all your actions.



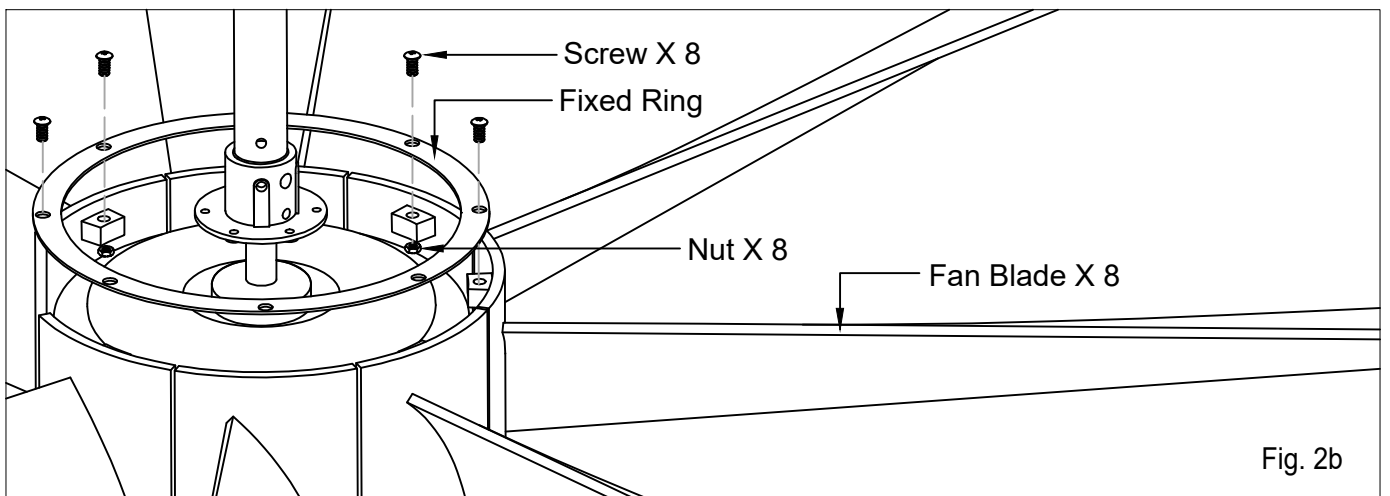
Installation Instructions

Step2 MOUNTING BLADES TO MOTOR

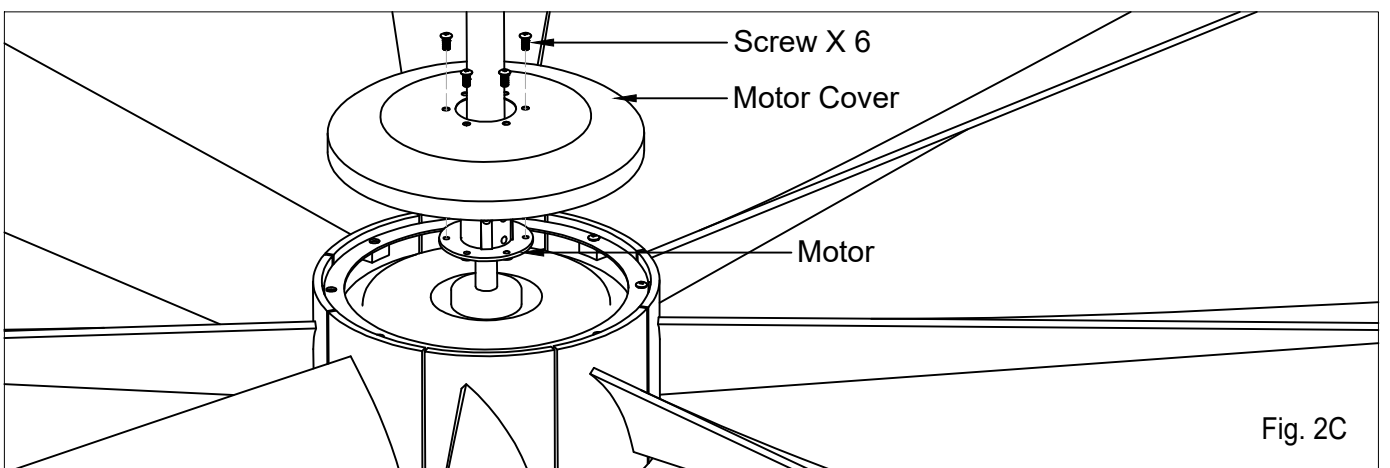
- Fix the fan blades on the motor in turn. (Fig. 2a)



- Use screws to lock fixed ring onto the installed fan blades. (Fig. 2b)



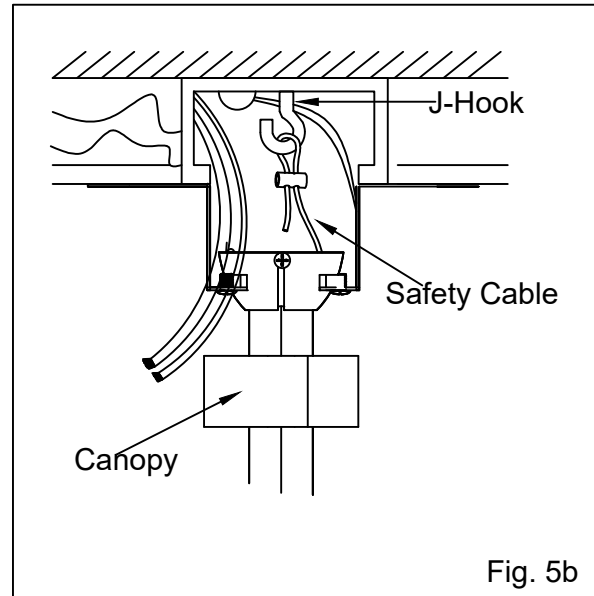
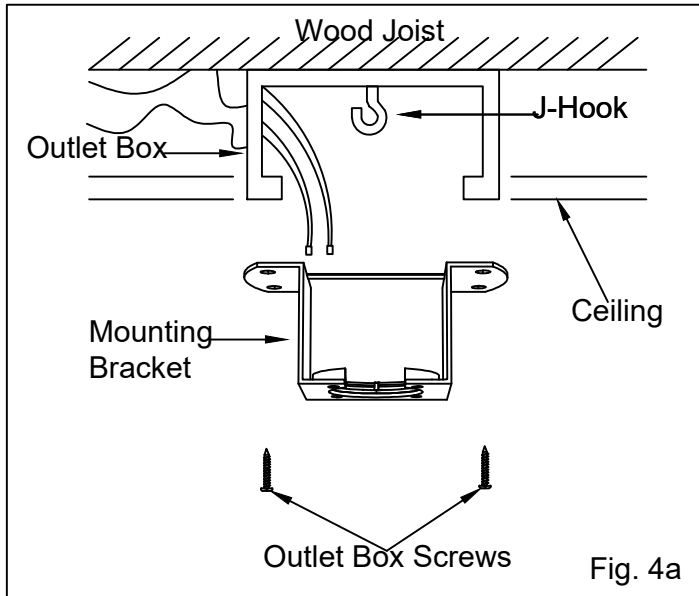
- Use screws to lock motor cover onto the Motor. (Fig. 2c)



Installation Instructions

Step4 INSTALL MOUNTING BRACKET

- Install J-Hook through the center of the outlet to the wood joist.
- Secure the mounting bracket and rubber gasket to the metal outlet box.
- Hang the safety cable onto the J-hook.



Step5 ELECTRICAL CONNECTION

A. Use wire connectors to connect household supply and receiver wires according to the diagram and the following steps:

- Connect the white wire with the "Public Zero Line" label to the white fan wire.
- Connect the black wire with the "TO Motor L" label to the black fan wire.
- Connect the blue wire with the "For Light L" label to the blue fan wire.
- Connect the green wire from the down rod and mounting bracket to the Bare/Green(ground) supply wire.
- Connect the blue wire with the "AC IN L" label to the black supply wire.
- Connect the white wire with the "AC IN N" label to the white supply wire.

Installation Instructions

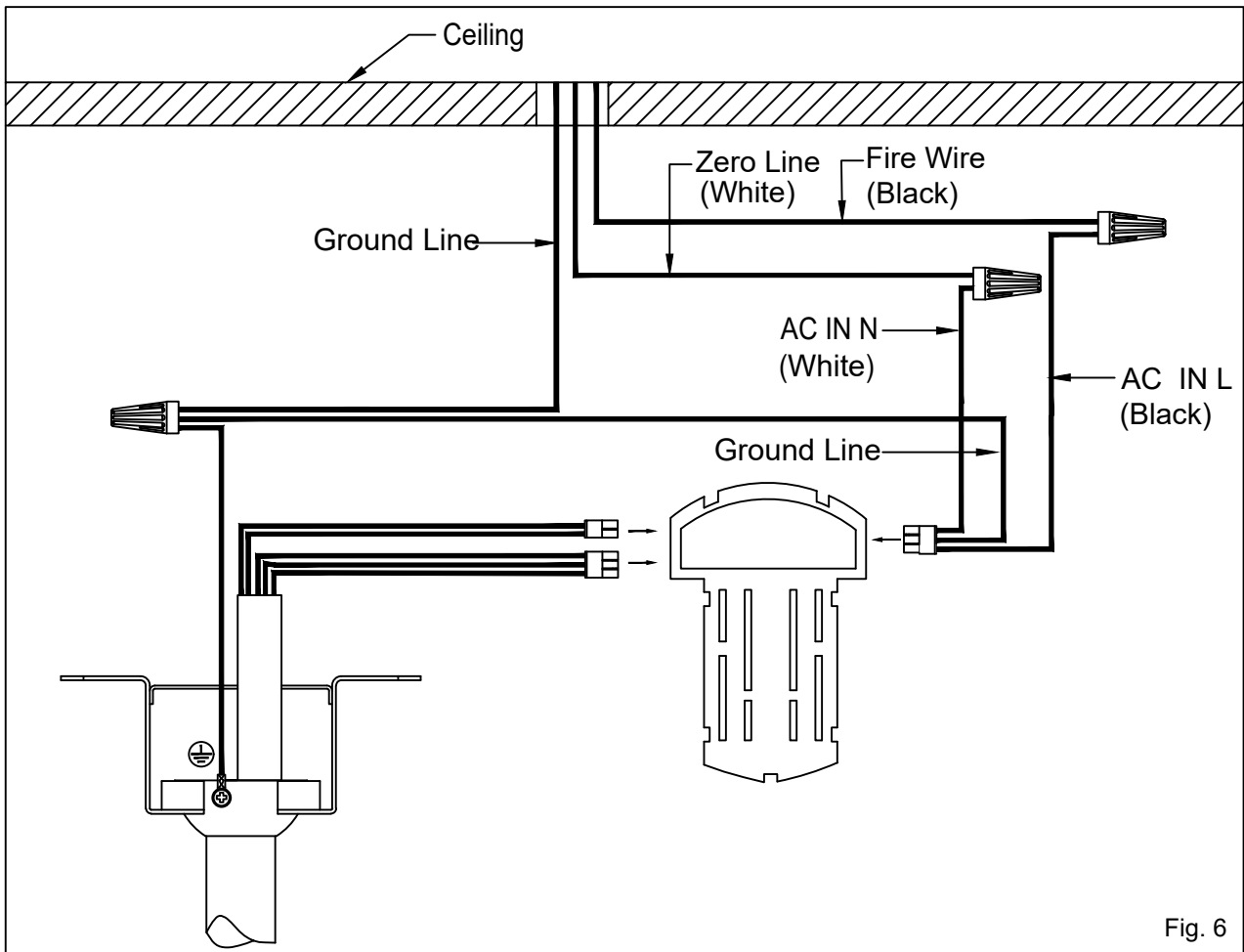


Fig. 6

Note: After connecting the ground wire, carefully put all wires into the metal box, making sure that when placed, the wires are kept away from the hanger ball and boom.

B. Push all connected wires up into ceiling box.

- After wiring finished, leave the receiver in the bracket and secure it by the electrical tape then secure the canopy to the bracket.
- Ensure to connect all ground wires accordingly.

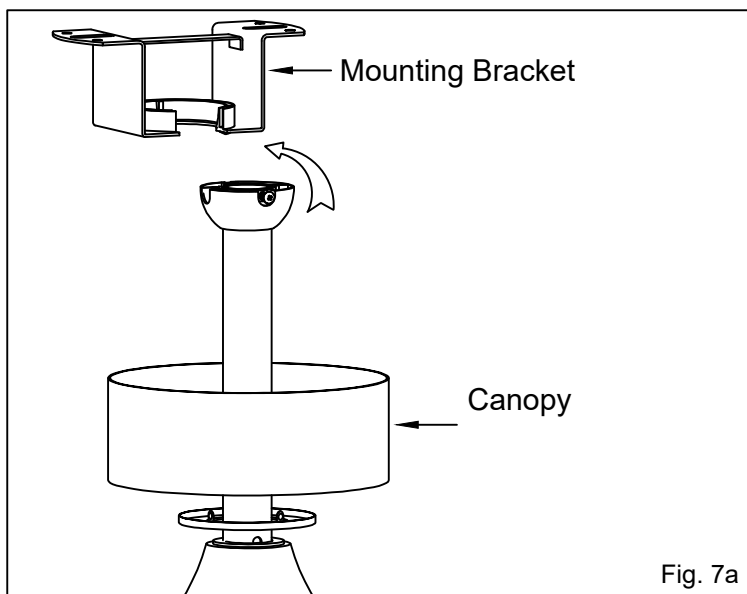


Fig. 7a

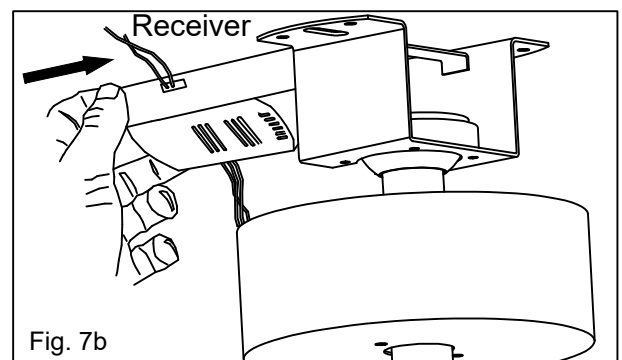
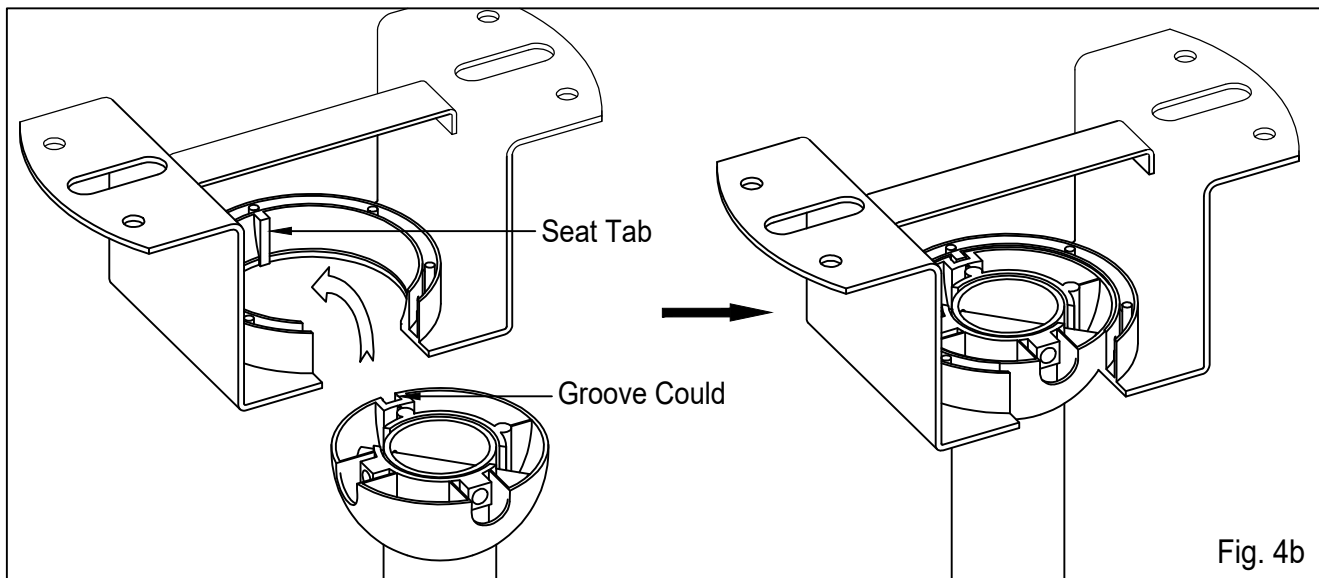


Fig. 7b

Installation Instructions

Step6 CONNECT THE HANGING BALL

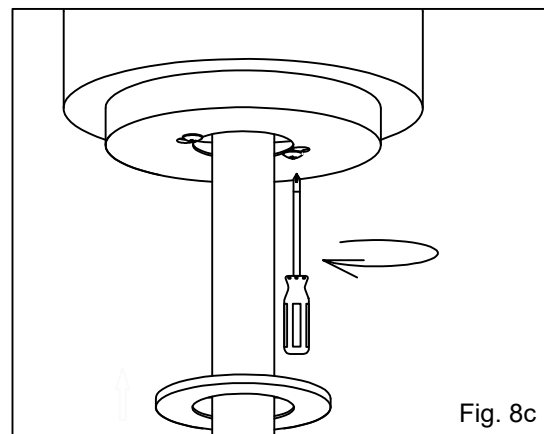
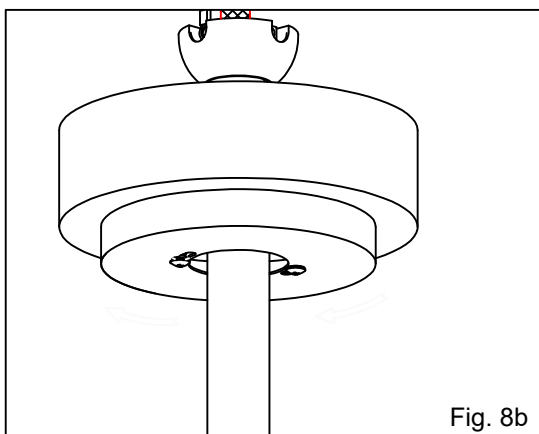
- Hang the ball joint and the fan onto the bracket, make sure the guide pin of the bracket is fitted into slot of ball joint.



WARNING: Failure to seat tab in groove could cause damage to electrical wires and possible shock or fire hazard.

Step7 INSTALLING THE CANOPY


- Place two screws and washers on mounting plate which correspond with slots in canopy. Screw in two turns.
- When installing the canopy, ensure the antenna is not pressed by the canopy.



NOTE: When installing fan on sloped ceiling, make sure tab on hanger bracket faces towards the top of the slope. Depending on the slope, a longer downrod may be required to prevent fan blades from hitting the ceiling.

Installation Instructions

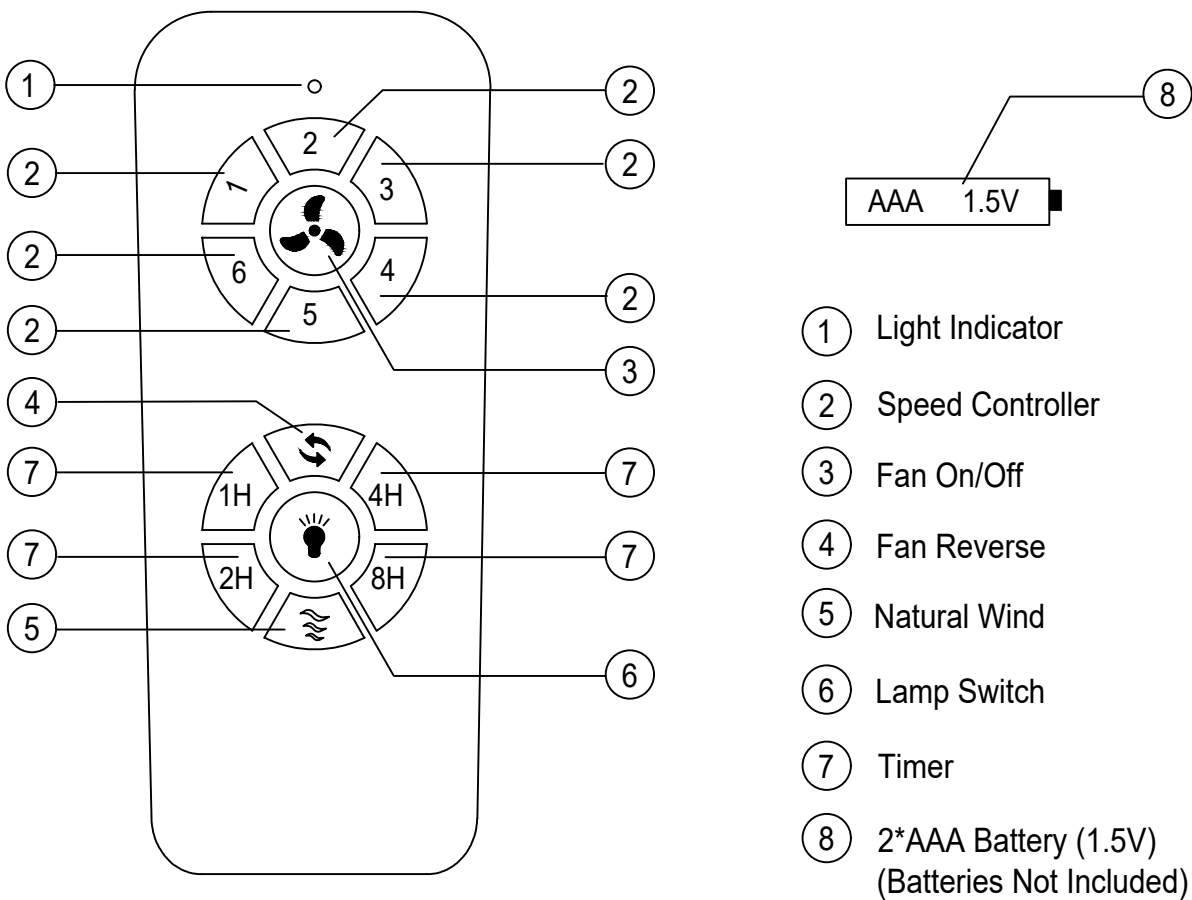
C.Function instruction of emitter.

Power on the receiver,press the  key at the emitter at once. The learning is succeed, when hear double beep ringing from the loudspeaker.

- RF wireless digital transmission technology is adopted to realize the one-to-one control providing a rate of coincident code less than 1 / 50000. The same code number is attached to the back of the emitter and the receiver. It is required to return a pair of the same code number of emitter/receiver to the manufacturer for repair service in case of any damage.
- In a sufficient space, you can use the receiver at any angle, no worry about the direction.

Notices:

- 1.When the emitter is unable to remotely control the receiver, please check whether the batteries are in good contact, whether they are fixed properly, and whether they run out of use.
2. When the emitter is unable to remotely control the receiver, please check whether there is other remote control products around the space and check whether the keys are pressed down, because same nature of remote control product may cause interference with each other resulting in poor receiving effect. Taking away such articles will normalize the remote control function. (the infrared remote controller is not included).
3. Please use this product under applicable voltage. Too low voltage will lead to failure of the remote controller to work (Please refer to the product label for the voltage range and related parameters).
4. Please take out the batteries if you will not use this product for a long time.

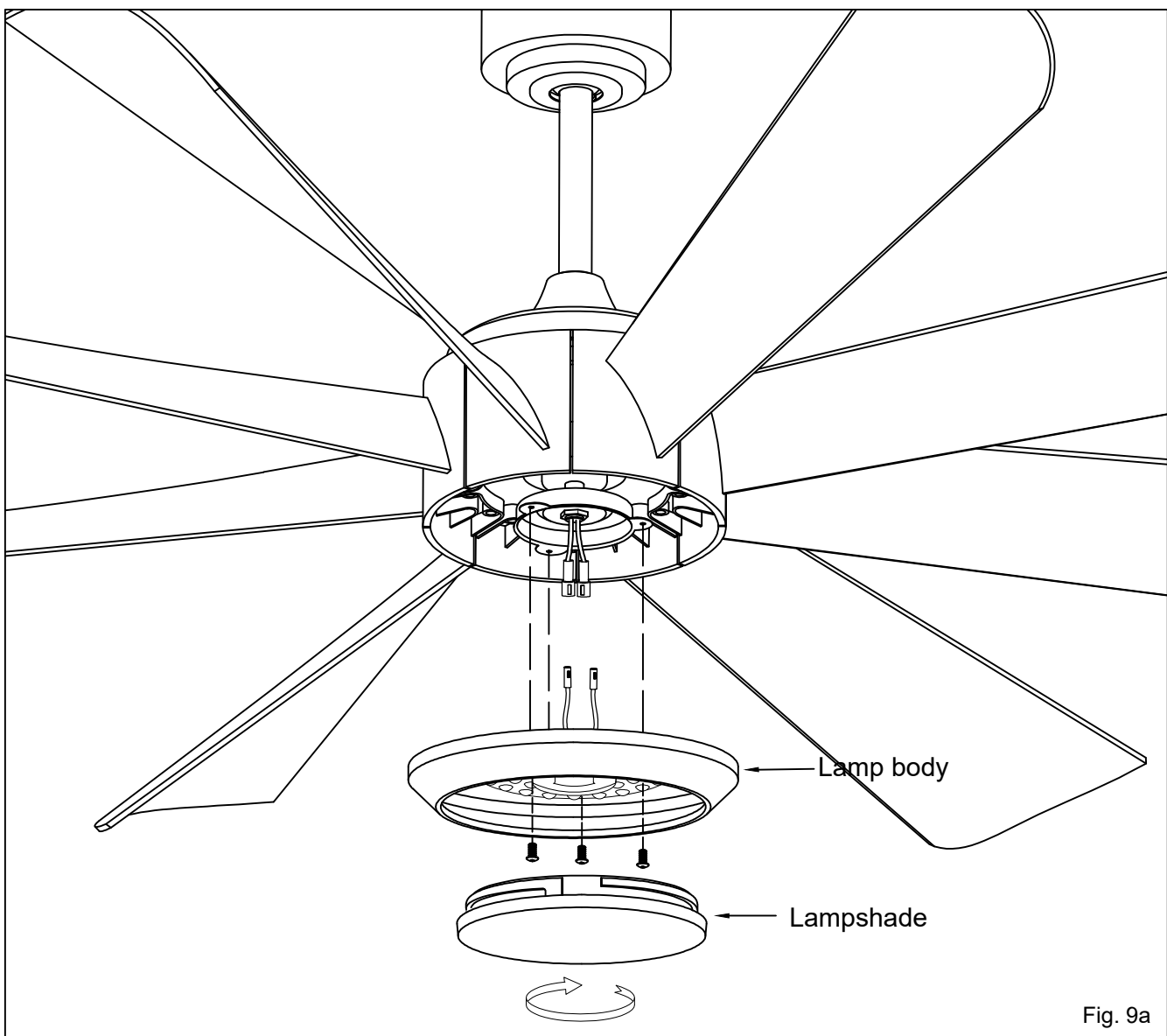


Installation Instructions

Step8 LIGHT KIT

WARNING: BE SURE TO TURN OFF POWER BEFORE INSTALLING

- Connect the corresponding wires at the bottom of the lamp and the motor.
- Tighten the three screws on the edge of the switch cover.
- Take out the decorative nuts, nuts, iron washers and plastic washers pre-locked on the lamp tube.
- Install glass, tighten plastic washer, iron washer and nut in turn.
- Install the decorative frame and fasten the decorative nut.



WARNING: Check all connections, set screws and screws are securely tightened before the next step.

Troubleshooting Guide

If you have difficulty operating your new ceiling fan it may be the result of incorrect assembly, installation, or wiring. In some cases these installation errors may be mistaken for defects. If you experience any faults please check this troubleshooting guide.

	Problem	Suggested Remedy
1	If fan does not work.	<input type="checkbox"/> Check the fuses or circuit breakers of the main and branch circuits. <input type="checkbox"/> Check the wiring connections to the fan and the switch wiring connections in the switch housing. <input type="checkbox"/> Check the battery in the remote control.
2	If fan sounds noisy.	<input type="checkbox"/> Ensure all motor housing screws are snug. <input type="checkbox"/> Ensure the screws that attach the fan blade bracket to the motor hub are tight. <input type="checkbox"/> Ensure the wire nut connections are not rattling against each other or the interior wall of the switch housing. <input type="checkbox"/> Allow a 24-hour "breaking in" period. Most noises associated with a new fan disappear during this time. <input type="checkbox"/> If you are using the Ceiling Fan light kit, ensure the screws securing the glassware are tight. Check that the light bulbs are also secure. <input type="checkbox"/> Ensure the canopy is a short distance from the ceiling. It should not touch the ceiling. <input type="checkbox"/> Ensure your outlet box is secure and rubber is isolate pads were used between the mounting plate and outlet box.
3	If fan wobbles.	<input type="checkbox"/> Check that all blades are screwed firmly into blade holders. <input type="checkbox"/> Check that all blade holders are tightened securely to motor. <input type="checkbox"/> Make sure that canopy and mounting bracket are tightened securely to ceiling junction box and junction box is mounted firmly to ceiling joist. <input type="checkbox"/> Most fan wobble problems are caused when blade levels are unequal. Check this level by selecting a point on the ceiling above the tip of one of the blades keeping measure within 1/8 in. Rotate the fan until the next blade is positioned for measurement. Repeat for each blade. If all blade levels are not equal you can adjust blade levels by the following procedure. To adjust a blade tip down insert a washer (not supplied) between the blade and blade holder at the screw closest to the motor. To adjust a blade tip up insert washer (not supplied) between the blade and blade holder at the two screws farthest the motor. <input type="checkbox"/> If blade wobble is still noticeable, interchanging two adjacent(side by side) blades can re-distribute the weight and possibly result in smoother operation.
4	If light does not work.	<input type="checkbox"/> Check blue wire from fan to make sure it is connected to hot wire from the house. <input type="checkbox"/> Check for loose or disconnected wires in fan switch housing. <input type="checkbox"/> Check for loose or disconnected wires in light kit. <input type="checkbox"/> Check for faulty light bulbs. CAUTION: Make sure main power is turned off before entering switch housing. <input type="checkbox"/> If the fan light shuts off shortly after being switched on it may be due to excessive current demand. Turn off power to the fan and replace the light bulbs with lower wattage bulbs. Turn on power to the fan using the pull chain, wall switch, or remote control (whichever is installed on the particular fan).

Balancing Kit

The balancing kit should only be used if there is an unacceptable amount of fan wobble after completing all the steps in your Owners Manual under "Attaching The Fan Blades."

1. Turn the fan on and set the speed control setting to a speed at which the wobbles is the greatest.
2. Turn off the fan and allow it to a complete stop. Select one blade and place the balance clip on it, halfway between the blade holder and the blade tip on the trailing edge of blade.
3. Turn the fan on. Note whether the wobble has increased or decreased. Turn the fan off, move the clip to another blade, and retest. Repeat this procedure on all blades noting the blade on which the greatest improvement is achieved.
4. Move the clip back to the blade that showed the greatest improvement. Move the clip inward and outward on this blade and operate the fan to find the position where the clip gives the greatest improvement.
5. Remove the clip and install a balancing weight to the top of blade along the center line near the point where the clip was positioned.
6. If the fan wobble problem has not been corrected you may wish to try to improve the balancing further by using the balancing clip and additional weights.

