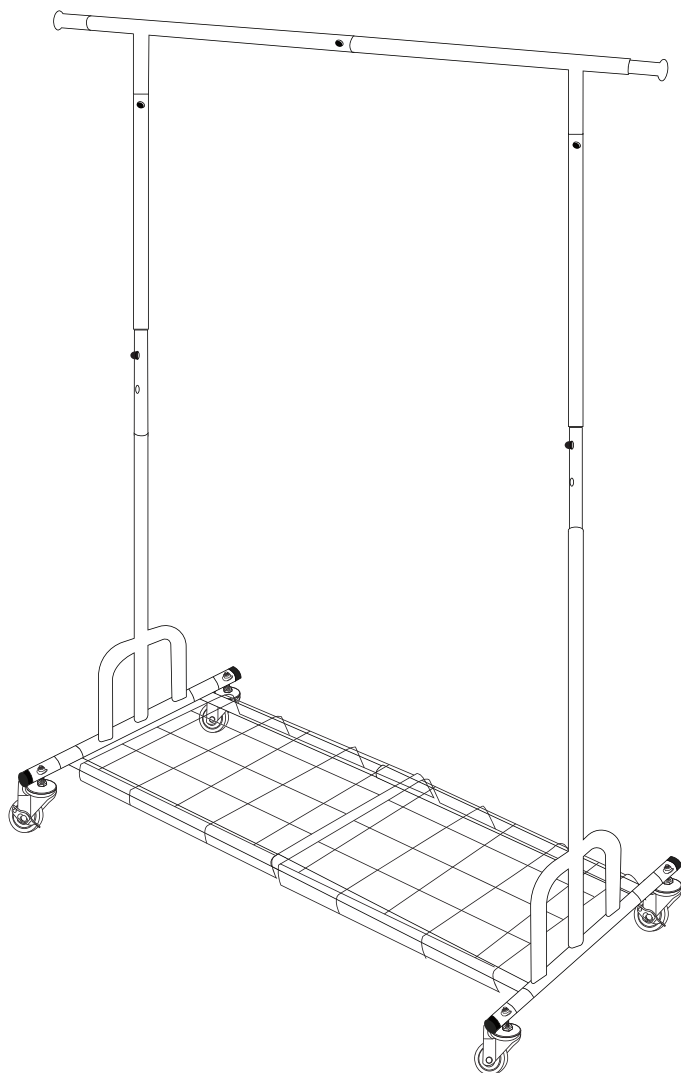


GARMENT RACK

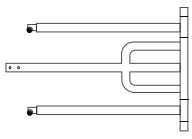
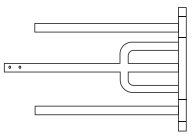
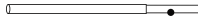
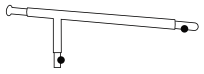
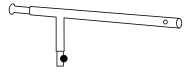
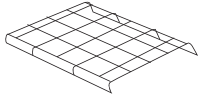
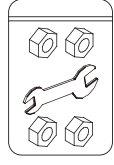

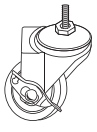

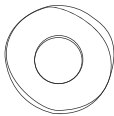
ASSEMBLY INSTRUCTIONS



Please check all parts and accessories according to the parts list before assembling, make sure all contents are sufficient and in good condition.

If there is any parts missing or defective, please contact us immediately with purchase platform message to get replacement parts.

PARTS:

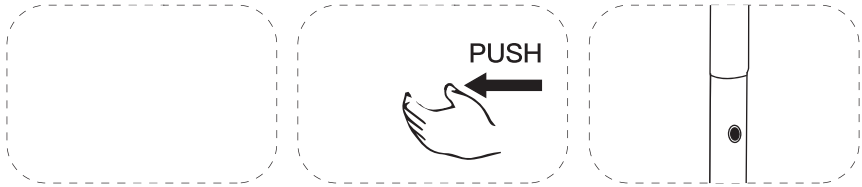
<p>A1</p>  <p>x1</p>	<p>A2</p>  <p>x1</p>	<p>B</p>  <p>x2</p>	<p>C1</p>  <p>x1</p>
<p>C2</p>  <p>x1</p>	<p>D</p>  <p>x2</p>	<p>E</p>  <p>x1</p>	<p>F1</p>  <p>x2</p>
<p>F2</p>  <p>x2</p>	<p>G</p>  <p>x1</p>	<p>H</p>  <p>x8</p>	

NOTICE:

1. When assembling, please wear gloves and pay attention to avoid fingers pinched.
2. Please **DO NOT** load more than the maximum weight described on the product page.

REMARK:

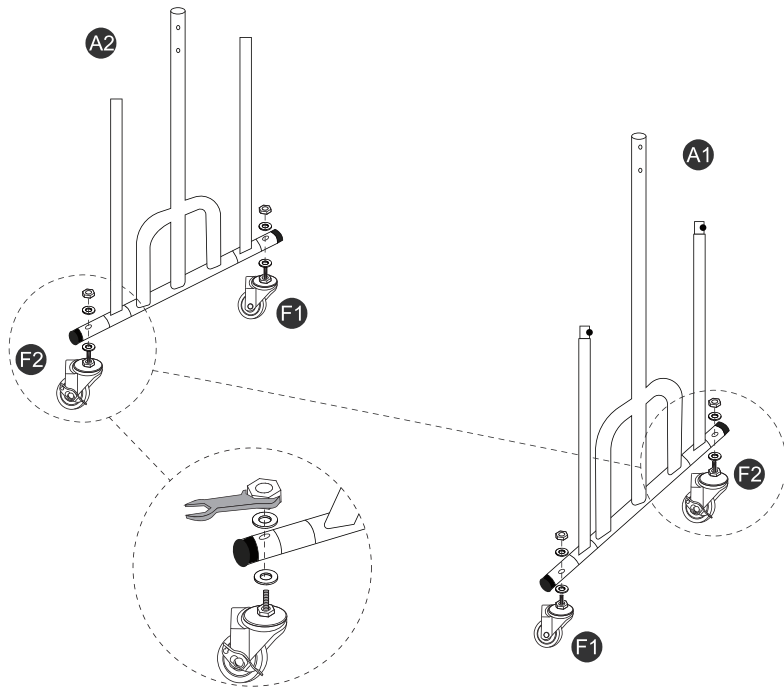
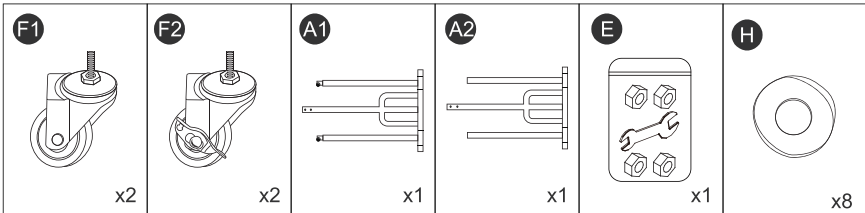
How to use the spring fasteners:



HOW TO INSTALL

Step 1

Install part (F1 & F2) on part (A1 & A2) by part (E & H).

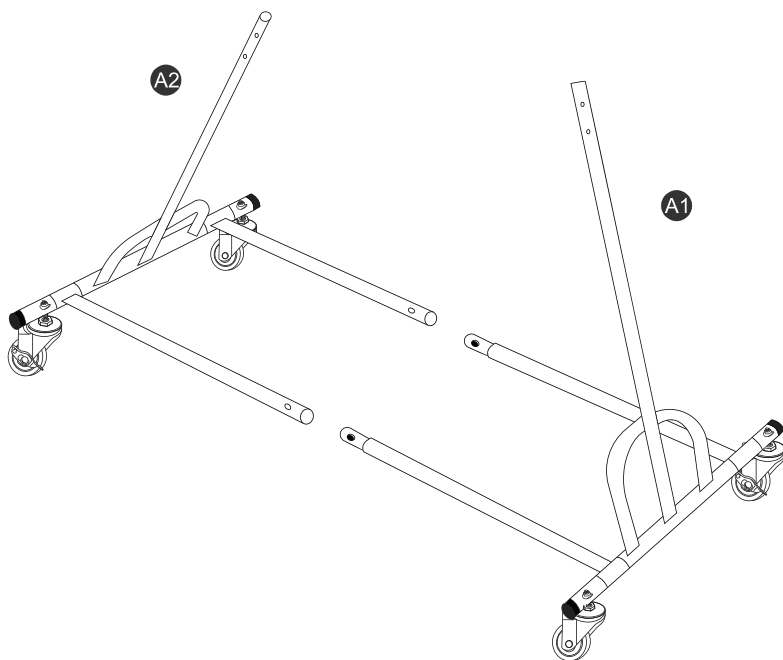
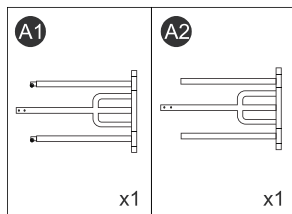


NOTICE:

Make sure that the screws on part (F1 & F2) are tightened
For better stability, please install part (F2) diagonally.

Step 2

Lift up the bottom central pole of part (A1 & A2) until they are locked (when you listen a sound of “ting”), as shown in the picture.

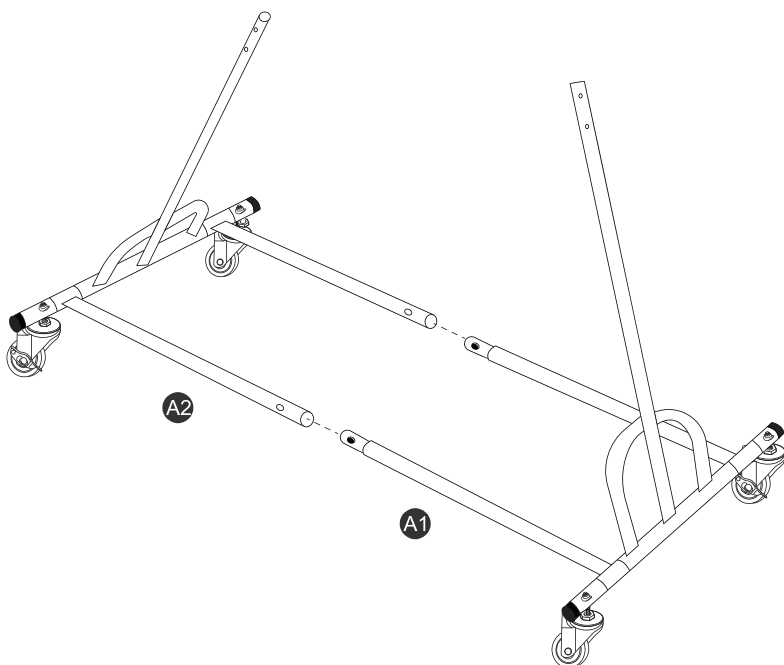
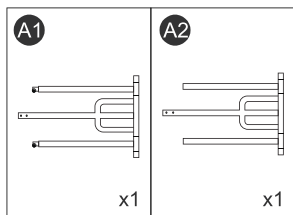


NOTICE:

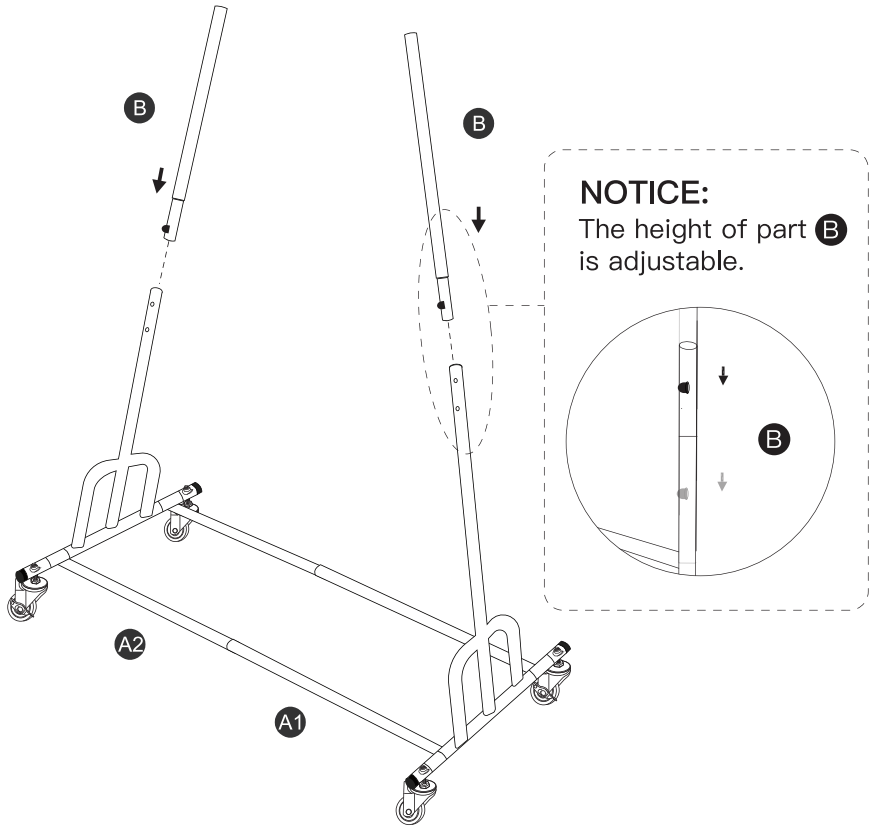
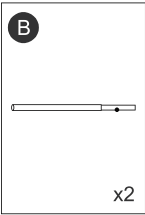
After locked, the part (A1 & A2) may be not vertical, which is normal. After installing all parts, they will be vertical.

Step 3

Connect the remaining poles of part (A1 & A2), as shown in the picture.

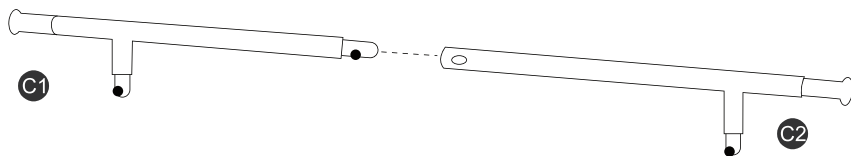
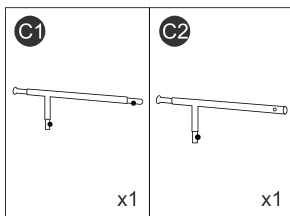


Step 4 Insert part (B) into part (A1&A2), as shown above.



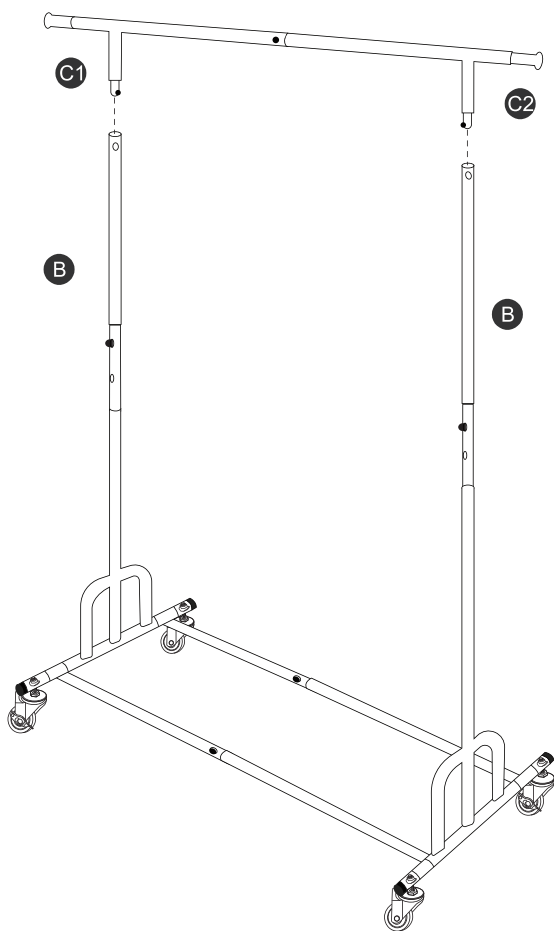
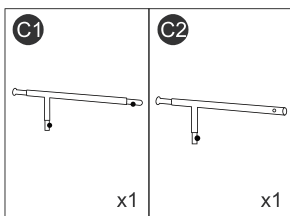
Step 5

Connect part (C1 & C2), as shown above.

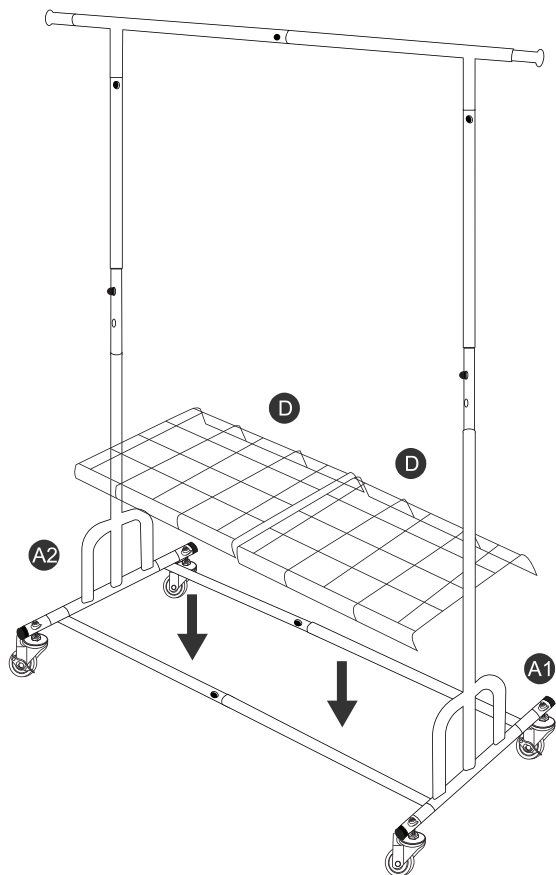
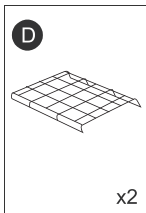


Step 6

Press the spring fastener, and insert part (C1 & C2) into part (B).



Step 7 Put part (D) on part (A1 & A2).



■ After-Sale Support

Dear Customer,

Thank you so much for purchasing our product. We sincerely appreciate your choice to incorporate our product into your living space.

Our goal is to build a mutually beneficial relationships with customers and we aim to be a reliable and recommendable brand.

We sincerely hope this product meets your expectations and that you would consider us again for your future needs.

When you receive the package, please kindly double check your package and accessories to be sure that you have all the necessary parts.

Should you have any questions, please contact us through the original purchase platform.

We will reply to each message within 24 hours and spare no efforts to help you as always.

Thank you once again for choosing us. Here's to creating wonderful memories and comfortable spaces together!

Kindest Regards,
Customer Care Team