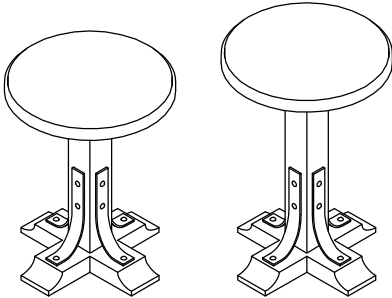


ASSEMBLY INSTRUCTIONS

111-1200 CONNOR ROUND ACCENT TABLE

www.kincaidfurniture.com

Phone : 828-728-3261



ACCENT TABLE WITH 25"H

ACCENT TABLE WITH 28"H

IMPORTANT NOTES :

- . Place all parts on the clean and smooth surface such as a rug or carpet to prevent the parts from being scratched.
- . Check to be sure that you have all parts and hardware.
- . Remove all wrapping materials, including staples and packing straps before you start to assemble.
- . Do not tighten all screws and bolts until completely assembled.
- . Keep all hardware out of the reach of children.

FOR USING TABLE WITH 25" HEIGHT

Step 1: Remove the wood extension block from the table base as shown in Figure 1 and place the table upright (Figure 2)

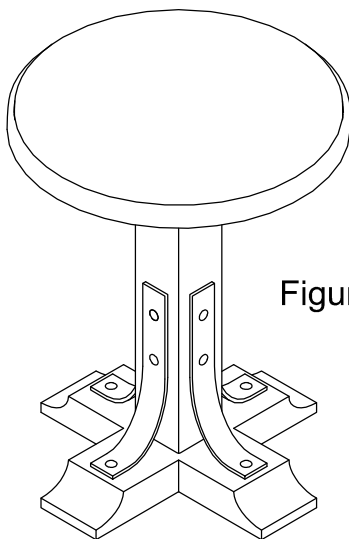


Figure 2

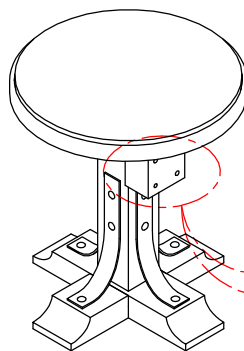
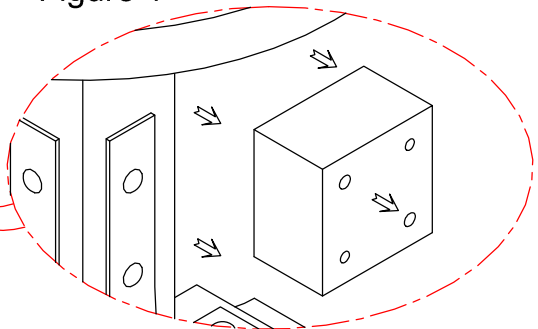


Figure 1



HARDWARE LIST			
ITEM	DRAWING	DESCRIPTION	Q' TY
A		Wood plug (Ø10*40mm)	2PCS
B		Bolt (Ø1/4"*4-1/2")	2PCS
C		Flat Washer (Ø1/4"*Ø19mm)	2PCS
D		Spring Washer (Ø1/4")	2PCS
E		Allen Wrench(4mm)	1PCS

MADE IN VIETNAM

ASSEMBLY INSTRUCTIONS

111-1200 CONNOR ROUND ACCENT TABLE

www.kincaidfurniture.com

Phone : 828-728-3261

FOR USING TABLE WITH 28" HEIGHT

Step 1: Turn the table upside down on a clean soft surface and open the bolt connect the base on the top with allen key (E) as shown Fig 3

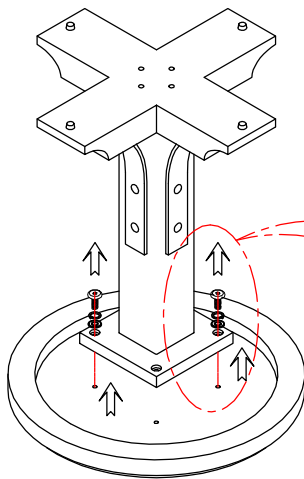


Figure 3

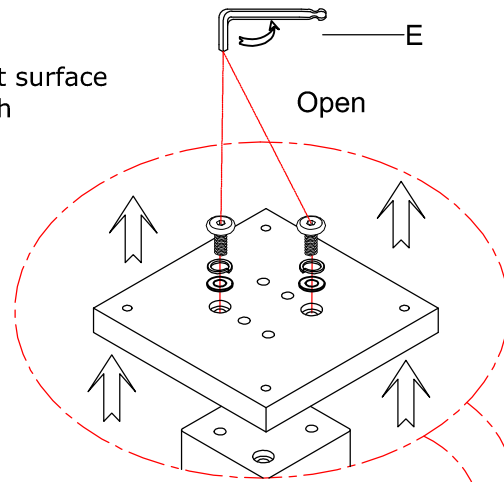
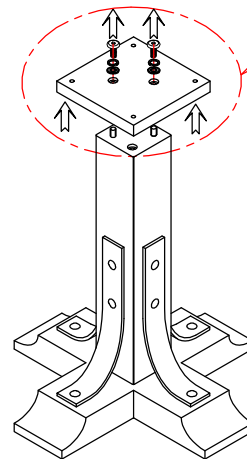
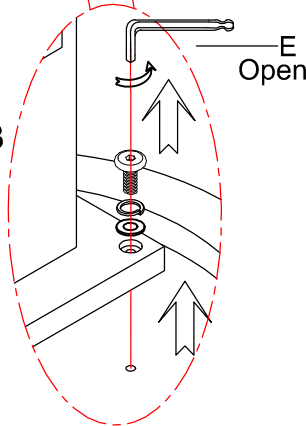


Figure 4



Step 2: Open the wood block from the base by removing the bolts with using Allen key (E) as shown on Fig 4

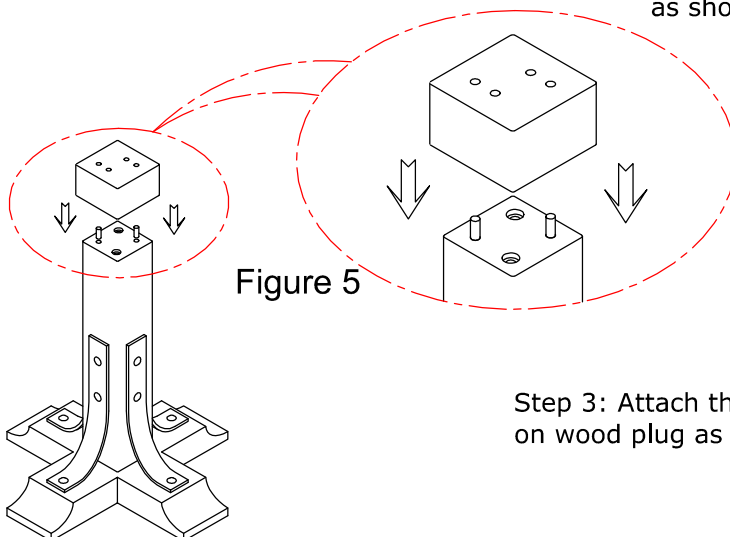


Figure 5

Step 3: Attach the wood extension block to right place on wood plug as shown on Fig 5

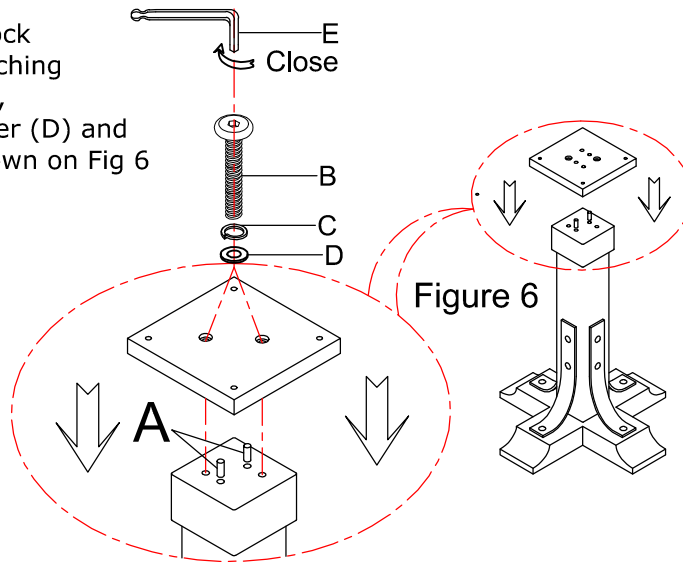
ASSEMBLY INSTRUCTIONS

111-1200 CONNOR ROUND ACCENT TABLE

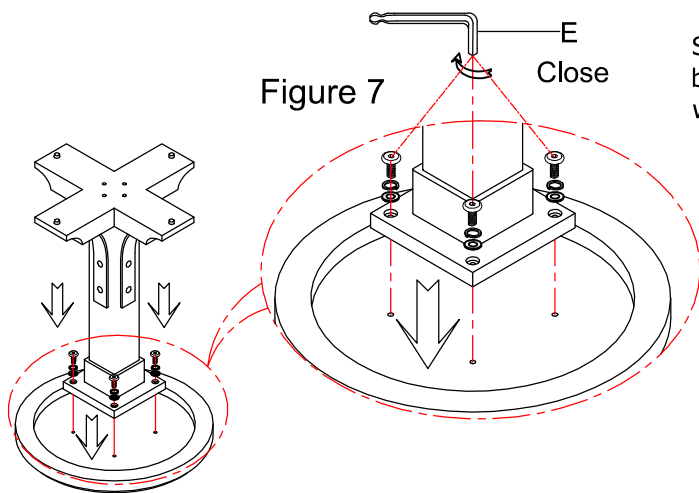
www.kincaidfurniture.com

Phone : 828-728-3261

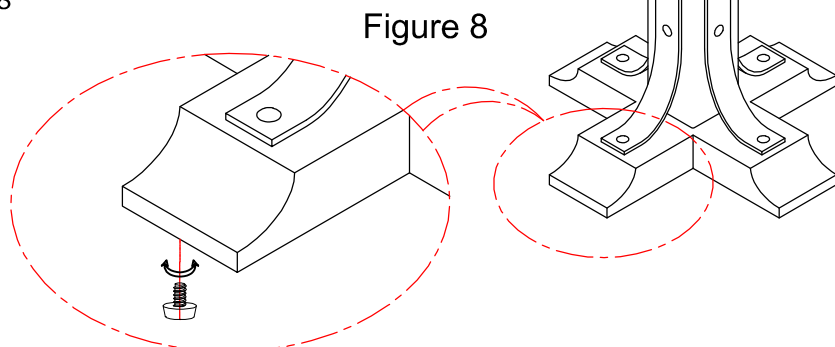
Step 4: Attach the thin wood block to extension wood block by attaching wood plug (A) and using bolt (B), spring washer (C) and flat washer (D) and tighten with allen key (E) as shown on Fig 6



Step 5: Attach the base to top using bolt (B), spring washer (C) and flat washer (D) and tighten with allen key (E) as shown on Fig 7



Step 6: Adjust leveler if needed to level case on uneven floor as shown Fig 8



MADE IN VIETNAM