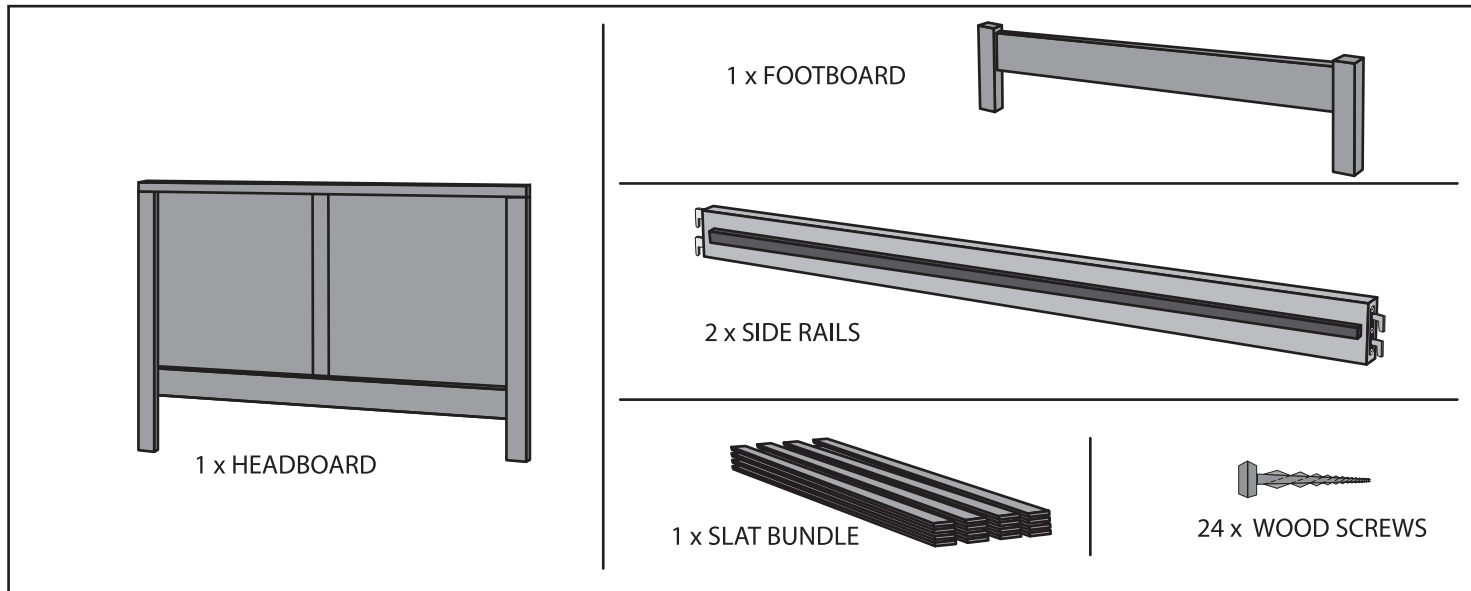


Platform Bed

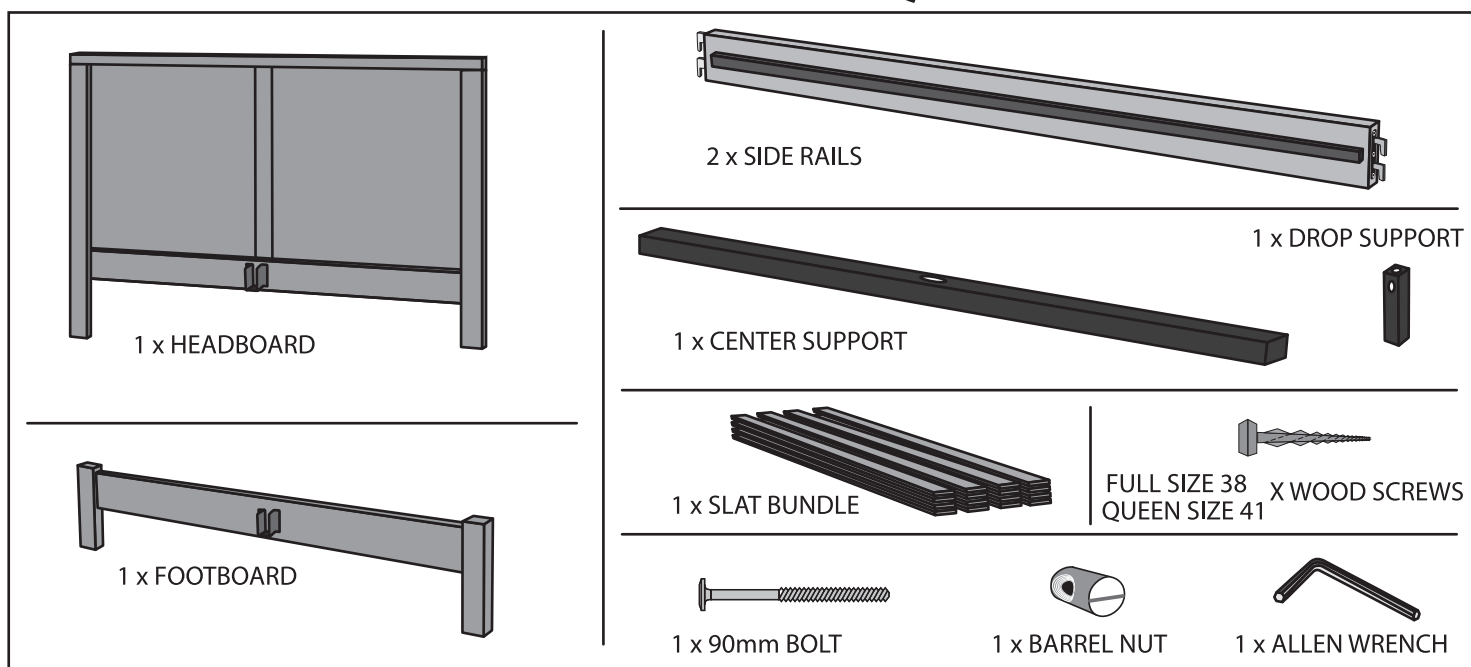
On this insert you will find a list of the hardware and platform bed parts included as well as detailed instructions for assembly. Assembly is quite simple and requires only a Phillips head screwdriver. The use of a power drill with a Phillips head attachment is helpful but not necessary. Assembly will be most easily accomplished if you take the time to carefully sort the hardware and familiarize yourself with the function of each piece.

Thank you and Enjoy

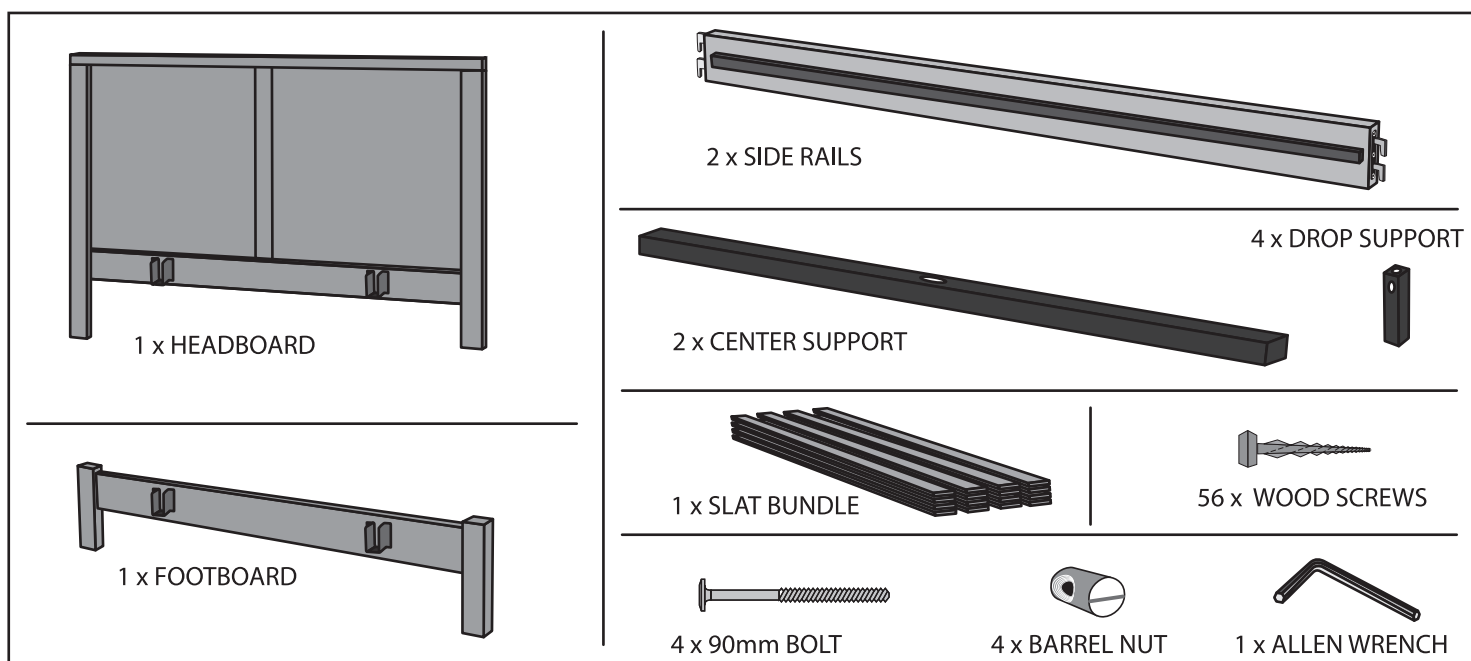
Hardware & Parts List for TWIN SIZE BED

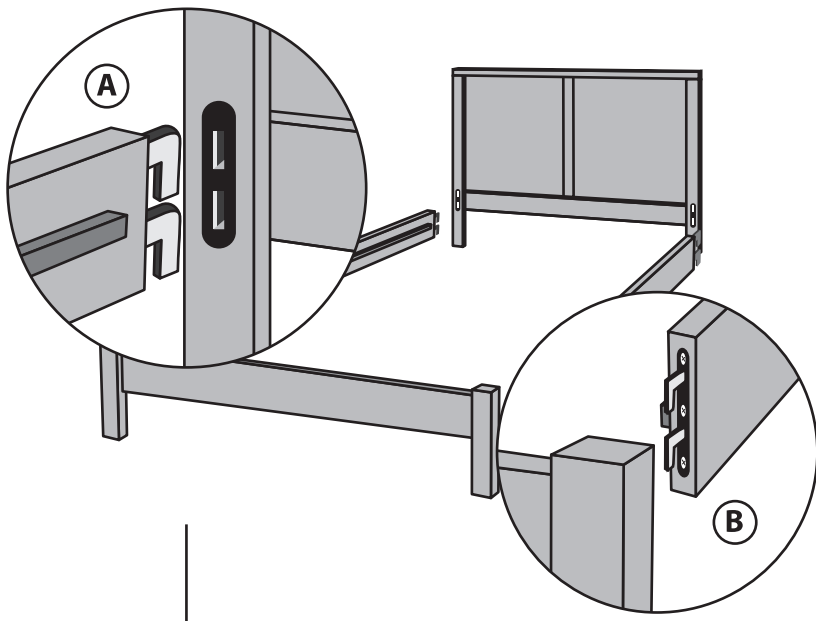


Hardware & Parts List for FULL & QUEEN SIZE BED



Hardware & Parts List for KING SIZE BED



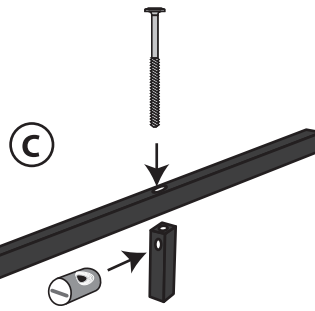


Slide one rail into the grooves of the headboard (A). Make sure the slat rail is facing the inside of the bed. Repeat this process with the other side rail. Next do the same with the other end of the rails into the footboard (B). Then tap the top of the rail ends gently with a rubber mallet to make sure the connections are secure.

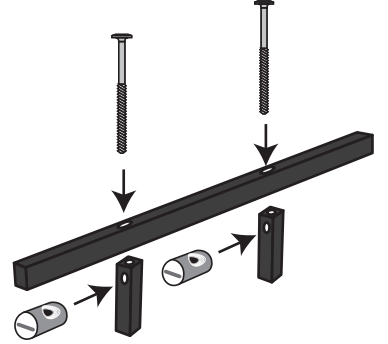
Attach the drop support(s) to the center support(s) by placing the barrel nut into the hole in the side of the drop support. Then insert a 90mm bolt through the center support into the barrel nut and tighten with the Allen Wrench provided (C).

Insert the center support(s) to the bottom of the brackets. Drive one wood screw through the hole in the side of the headboard bracket with a Phillips Head screwdriver (D). Then drive another wood screw through the hole in the side of the footboard bracket into the opposite end of the center support (E).

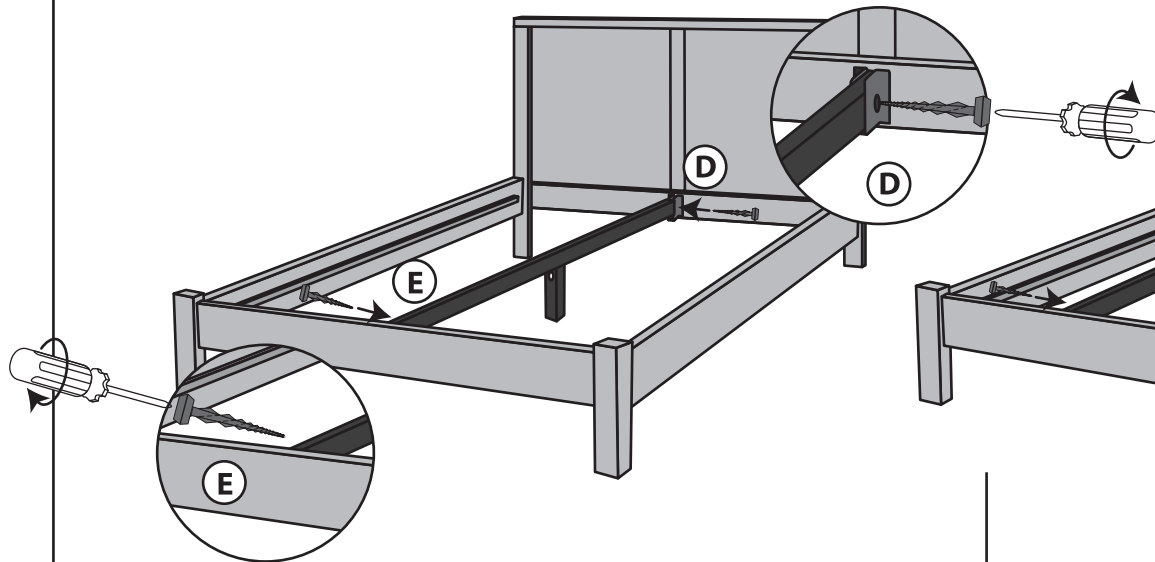
FOR FULL / QUEEN BEDS



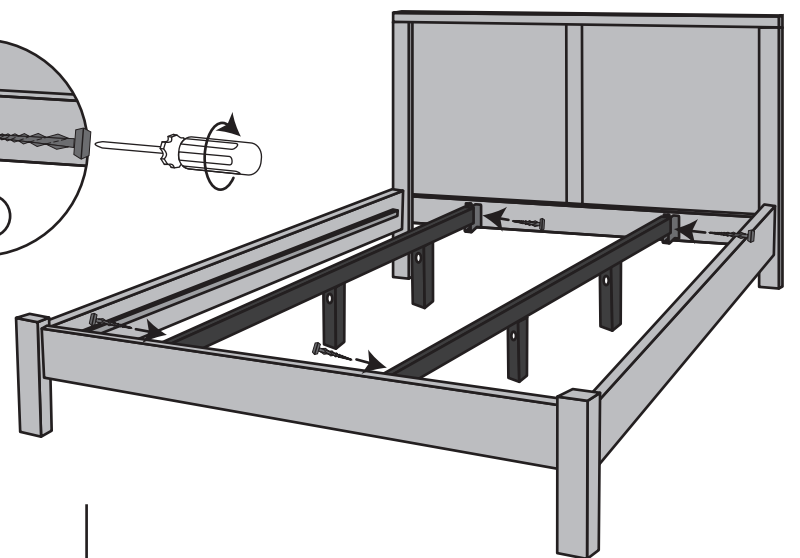
FOR KING SIZE BED



FULL & QUEEN SIZE

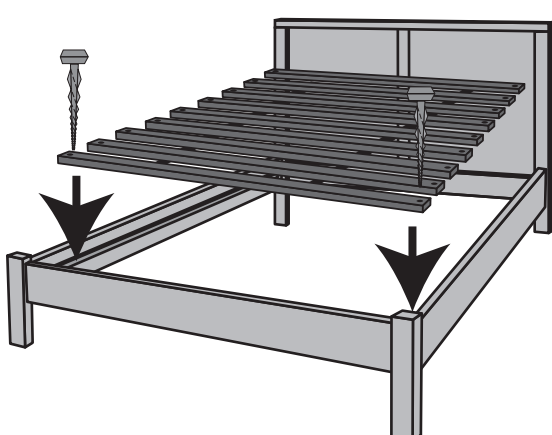


KING SIZE

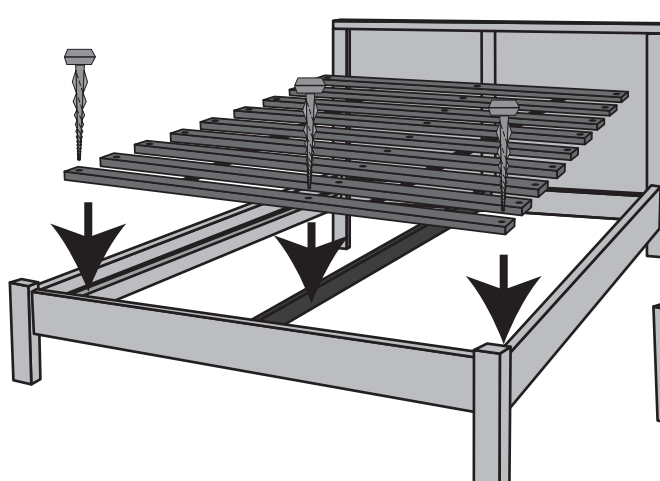


Spread the slat bundle cloth side down evenly across the slat rails. First secure one slat on one end and then the other end evenly. Then use the remaining wood screws to secure all slats to the slat rails with a Phillips Head screwdriver (F).

TWIN SIZE



FULL & QUEEN SIZE



KING SIZE

