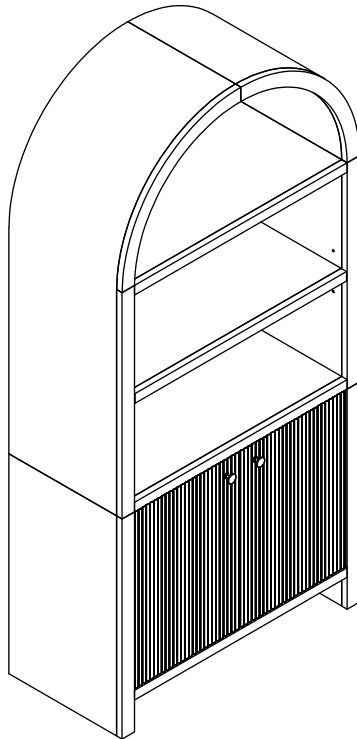


# LIABELLA 5 SHELF WOOD BOOKCASE

DESIGN# SFV4234

Assembly Instructions



**SAFAVIEH**  
C O U T U R E

# Thanks for bringing Safavieh Couture into your home

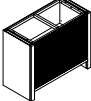
Everything we make is incredibly simple to set up, including your new bookcase. You won't need any additional tools.

## Parts List

A x 1  
Hutch



B x 1  
Cabinet



## Hardware List

HW1 x 4  
Bolt M8x45mm



HW2 x 1  
Allen key



HW3 x 4  
Plastic Brackets



HW4 x 2  
Restraint straps



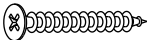
HW5 x 4  
Screws 4x20mm



HW6 x 4  
Plastic anchors

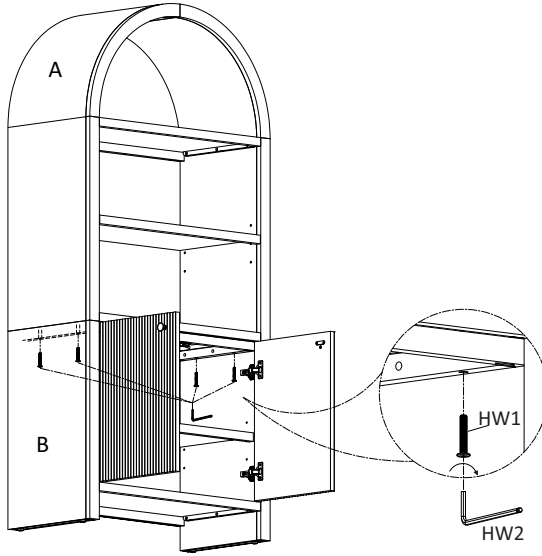


HW7 x 4  
Screws 4x40mm



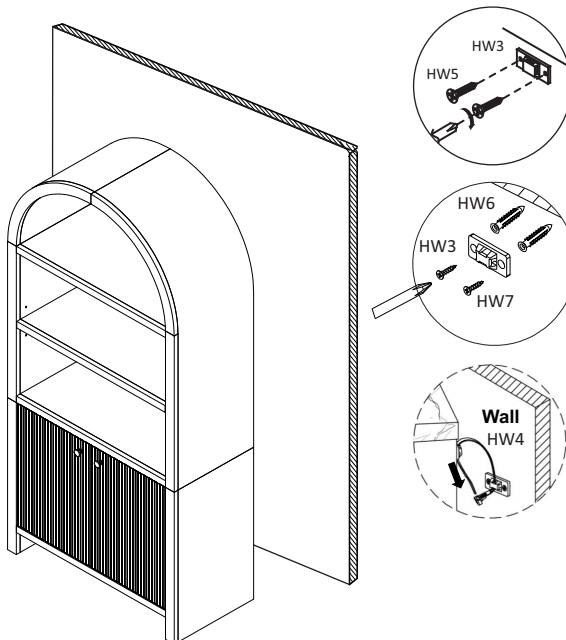
1

Attach the hutch (A) to the cabinet (B) by using the Allen Key (HW2) to screw in the bolts (HW1) as shown.



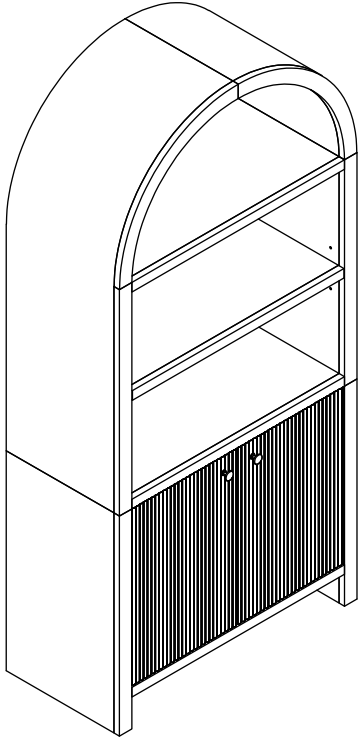
2

To help prevent the possibility of tipping over, install the tip over restraint kit provided.



Place the bookcase in the place where you will use it. We'd love to see it – just tag us (we're @safavieh) and use the hashtag #safavieh on Instagram!

@safavieh









**Need help?**

Feel free to contact us via email or call  
if you have any specific questions!

**contact us:**

[cs@safavieh.com](mailto:cs@safavieh.com)

866-422-9070