










# Assembly Instructions

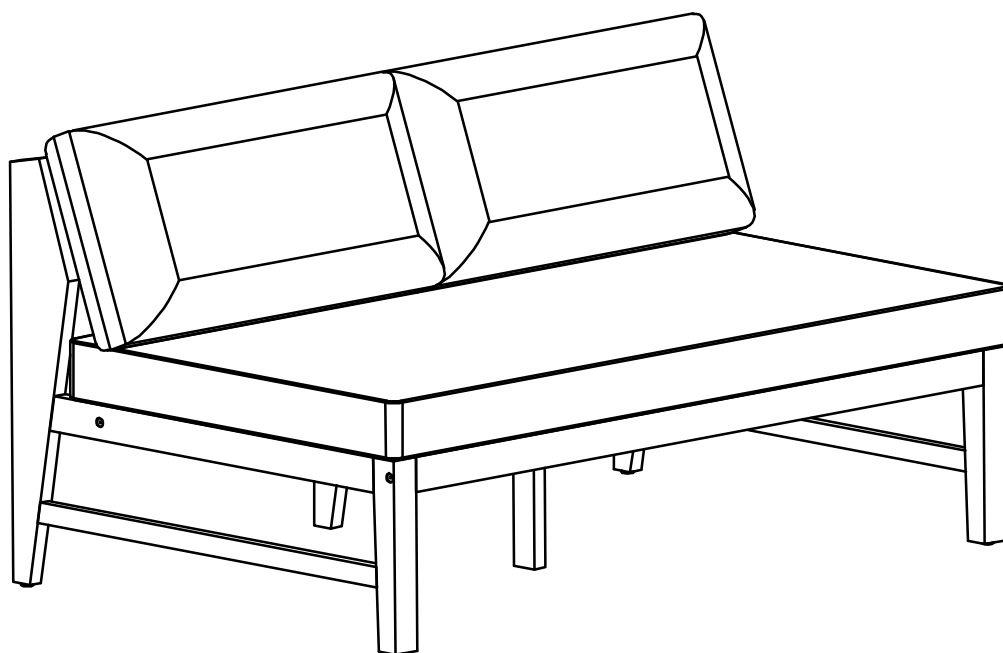
**CAUTION: You must read this before you proceed.**

## Care & Maintenance

- ⊘  • Not for commercial use. For residential use only.
  - ⊘  • Do not put hot items directly on furniture surface.
  - ⊘  • Do not clean furniture with harsh cleansers or polish.
  - ✓  • To obtain the longest lifespan of your outdoor products, minimizing exposure to direct sunlight is recommended.
  - ⊘  • Children should not climb or jump on the furniture.
  - ⊘  • Do not write on furniture without a padded barrier to protect the surface.
  - ✓  • To obtain the longest lifespan of your outdoor products, avoid extended and lengthy exposure to rain, snow, and direct sunshine. Whenever possible cover the product and /or place under patio or awnings.
  - ⊘  • Stains may be removed with mild soap solution and damp cloth.
- 
- ✓  • Dust and pick-up spills using a clean, non-colored, lint- free cloth.

**Please look in Seat Panel for hardware packs.**

## **BENCH**

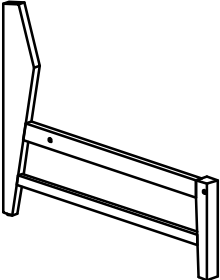
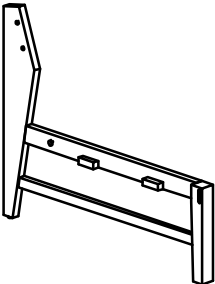
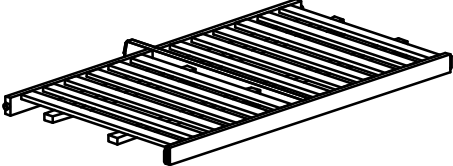
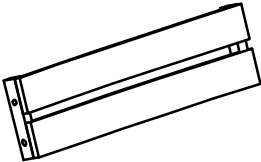


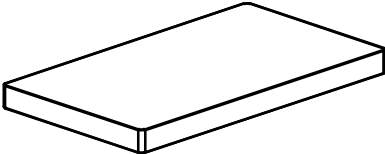
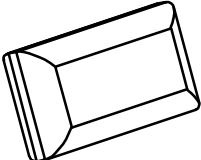


**CAUTION : This Bench is NOT a TOY.**








Keep your child / children at bay in the process of assembly.

For turning the Bench and to prevent damage to the Bench, 02 persons may be needed to execute this action

# Part List

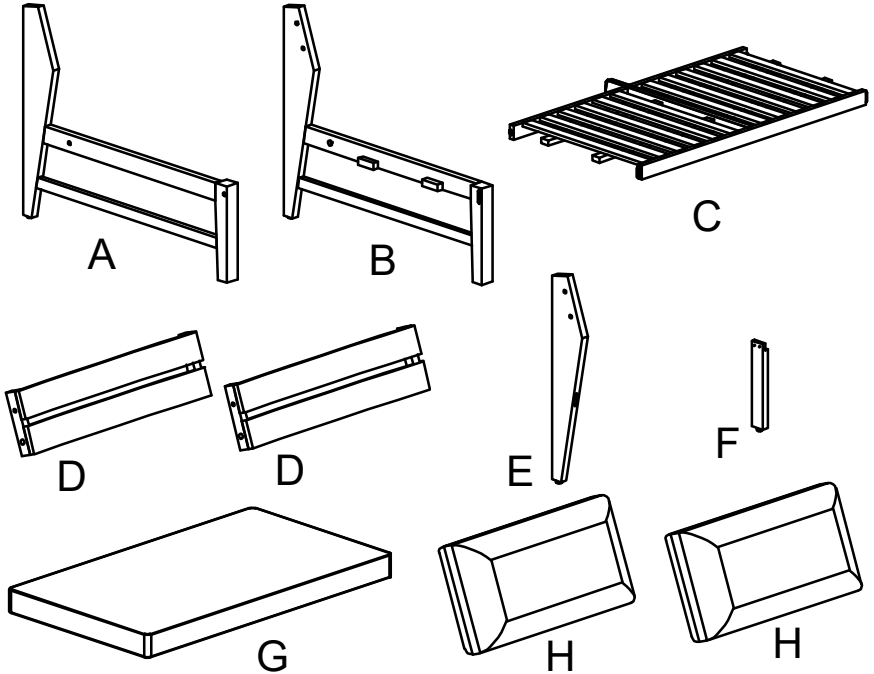
Label	Picture	Description	Qty
A		Left Leg Panel	1
B		Right Leg Panel	1
C		Seat Panel	1
D		Backrest Panel	2
E		Middle Leg	1
F		Leg Support	1
G		Seat Cushion	1
H		Back Cushion	2

# Hardware

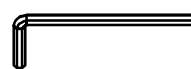






Label	Picture	Description	Qty
①		Allen Wrench	1
②		Screw (M6*60mm)	3
③		Screw (M6*90mm)	3
④		Bolt (M6*35mm)	7
⑤		Screw (M6*110mm)	2
⑥		Bolt (M6*60mm)	3
⑦		Sleeve nut (M6*15)	3

# Assembly Preparation

Before Beginning Assembly:



The diagram shows the following parts: A (headboard), B (footboard), C (slat pack), D (two side rails), E (two vertical dividers), F (two small spacers), G (mattress), and H (two bed bases). To the right is a hardware list:

①		x1
②		x3
③		x3
④		x7
⑤		x2
⑥		x3
⑦		x3



• Read instruction, cover to cover-



• Have 2 adults on hand for assembly-



• Do not assembly on flooring or carpet-



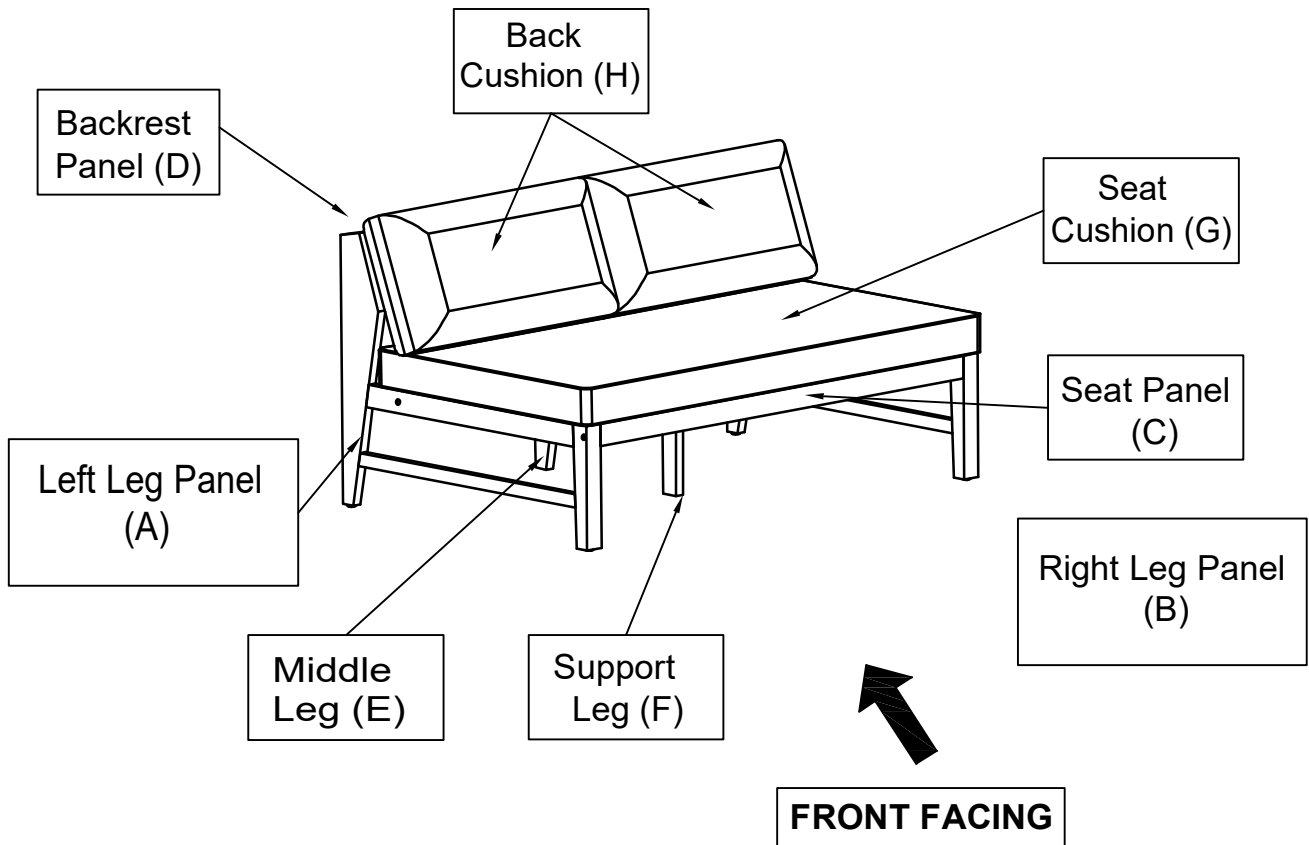
• Assemble on a clean non- marring surface (packing foam)-



• Save all packaging until finished-

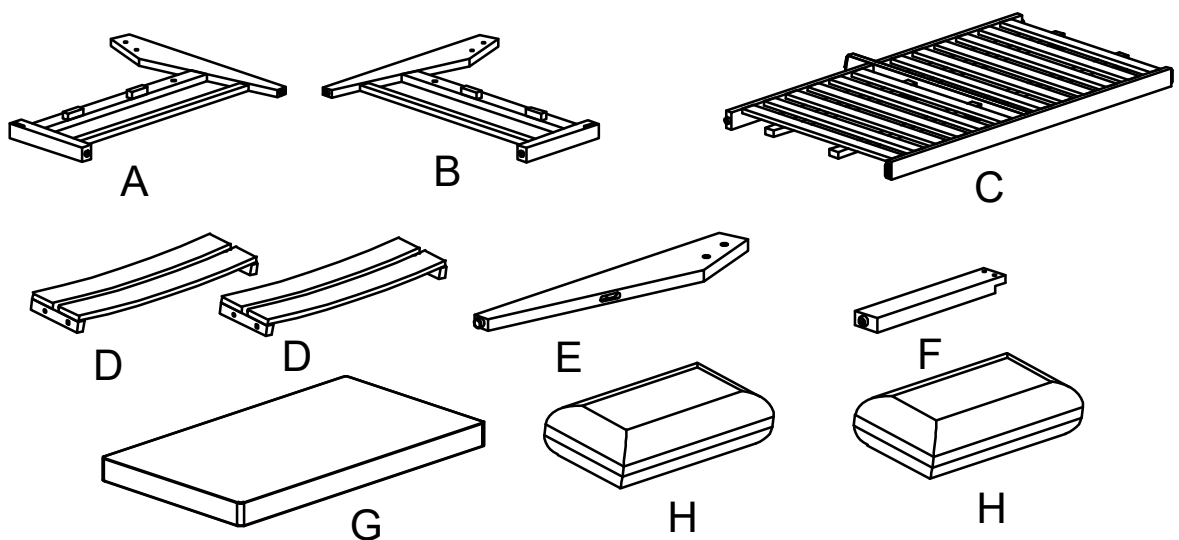
# Assembly Steps

## OVERVIEW



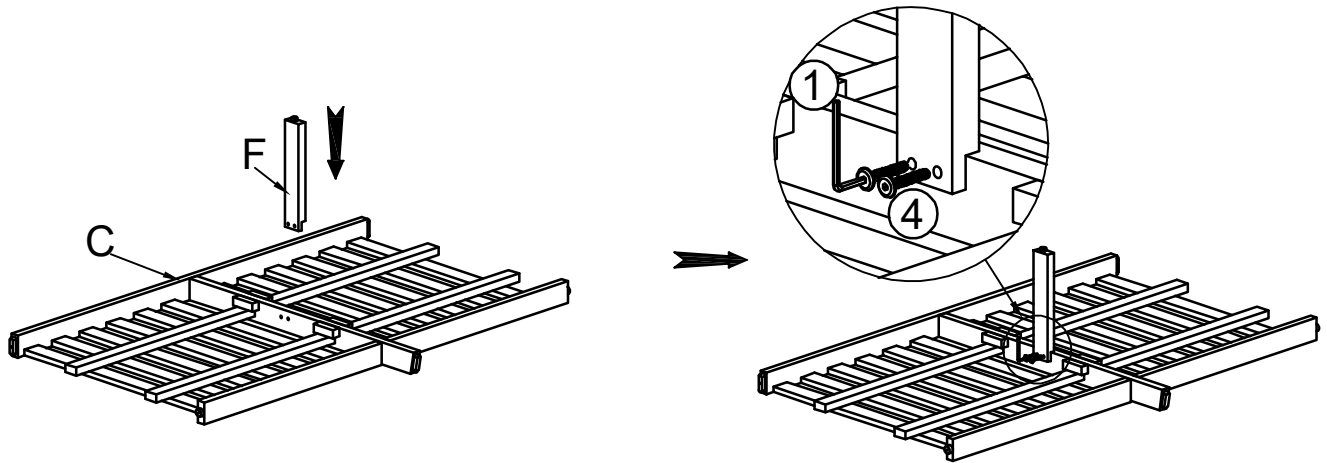
This Bench has multiple parts and may require up to 30 minutes to assemble. To give you an overview of the Bench, the above picture is to help you put the various parts into perspective. Please read through the instructions here below to familiarise the parts and steps before assembly.

## Step 1



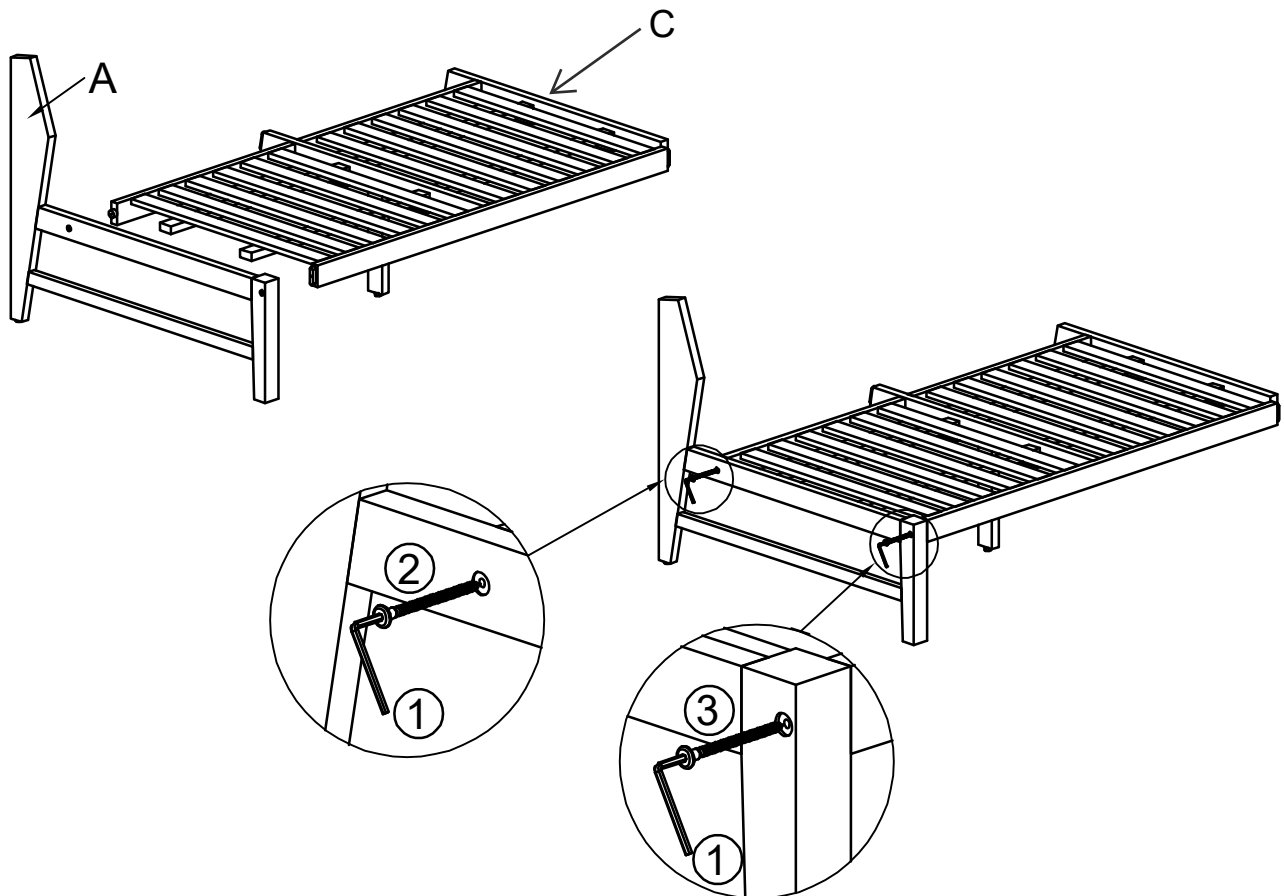
Unpack and place all parts on a clean, non-marring surface.

## Step 2



With assistance from your adult partners, flip the Bench as shown picture. Attach Support Leg (F) to Seat Panel (C) by using 2 Bolts (4) with Allen Wrench (1) to secure. **Do fully tighten the Screws.**

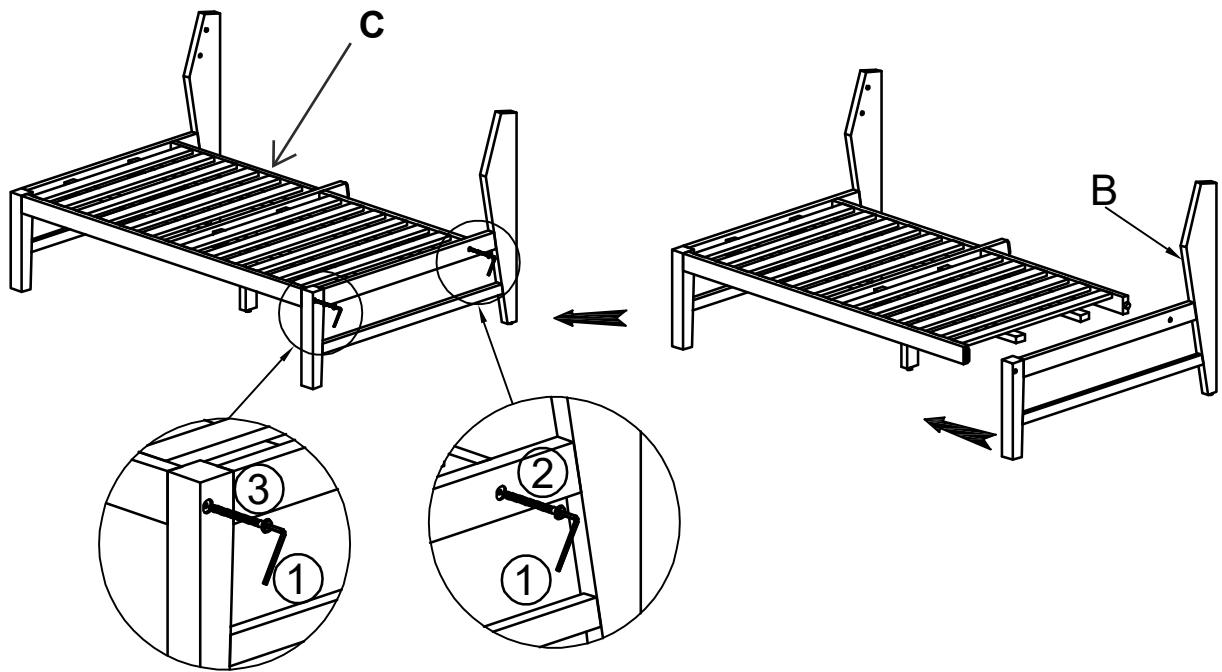
## Step 3



With assistance from your adult partners, place the Bench as above picture. Attach Left Leg Panel (A) to Seat Panel (C) by using Screws (2) +(3) with Allen Wrench to secure.

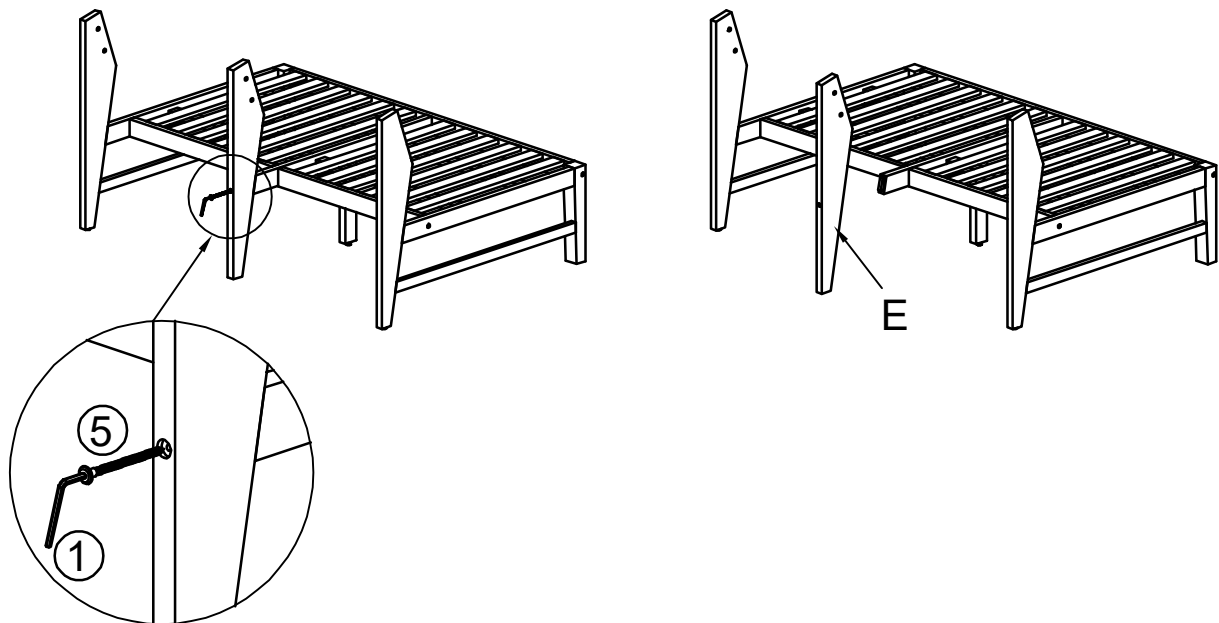
**Do not fully tighten the Screws.**

#### Step 4



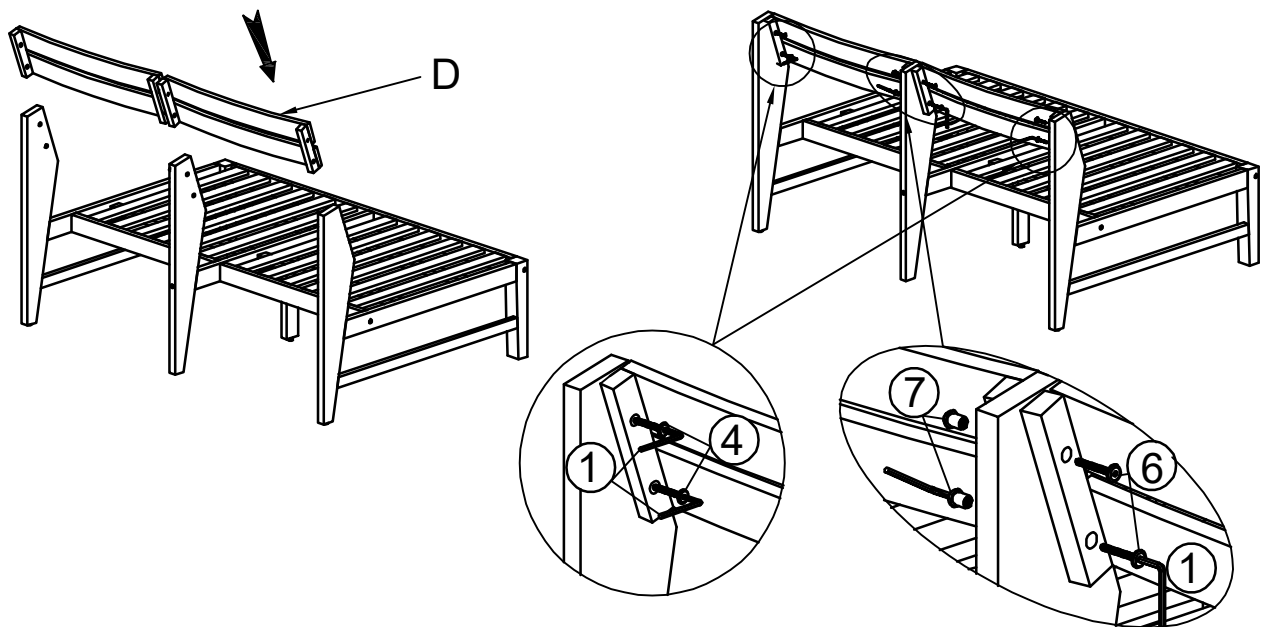
With assistance from your adult partners, place the Bench as shown picture. Attach Right Leg Panel (B) to Seat Panel (C) by using Screws (2)+(3) with Allen Wrench (1) to secure. **Do not fully tighten the Screws.**

#### Step 5



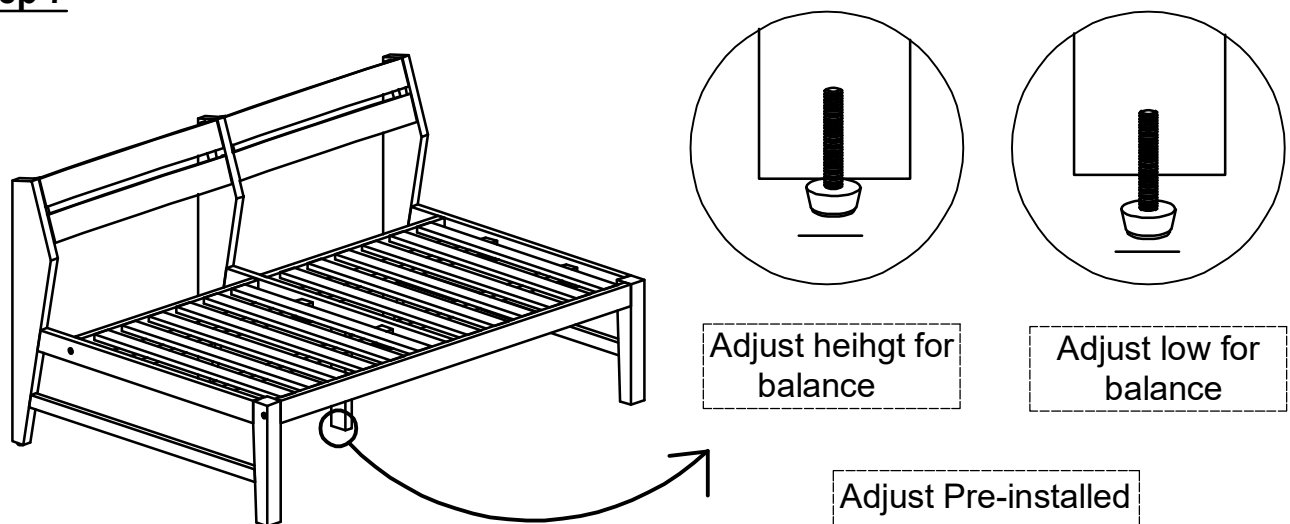
With assistance from your adult partners, place the Bench as shown picture. Attach Middle Leg (E) to Seat Panel (C) by using Screws (5) with Allen Wrench (1) to secure. **Do not fully tighten the Screws.**

### Step 6



Attach 2 Backrest Panel (D) to Left Leg Panel (A), Middle Leg (E) and Right Leg Panel (B) by using 4 Bolts (4) and 2 Bolts (6) + 2 Sleeve nuts (7) with Allen Wrench (1) to secure as above picture. **Do not fully tighten the Bolts.**

### Step 7



Inspect it and make sure all parts are adequately connected.

Gently and gracefully, sit onto the Bench.

This will help to align all the parts at all joint areas.

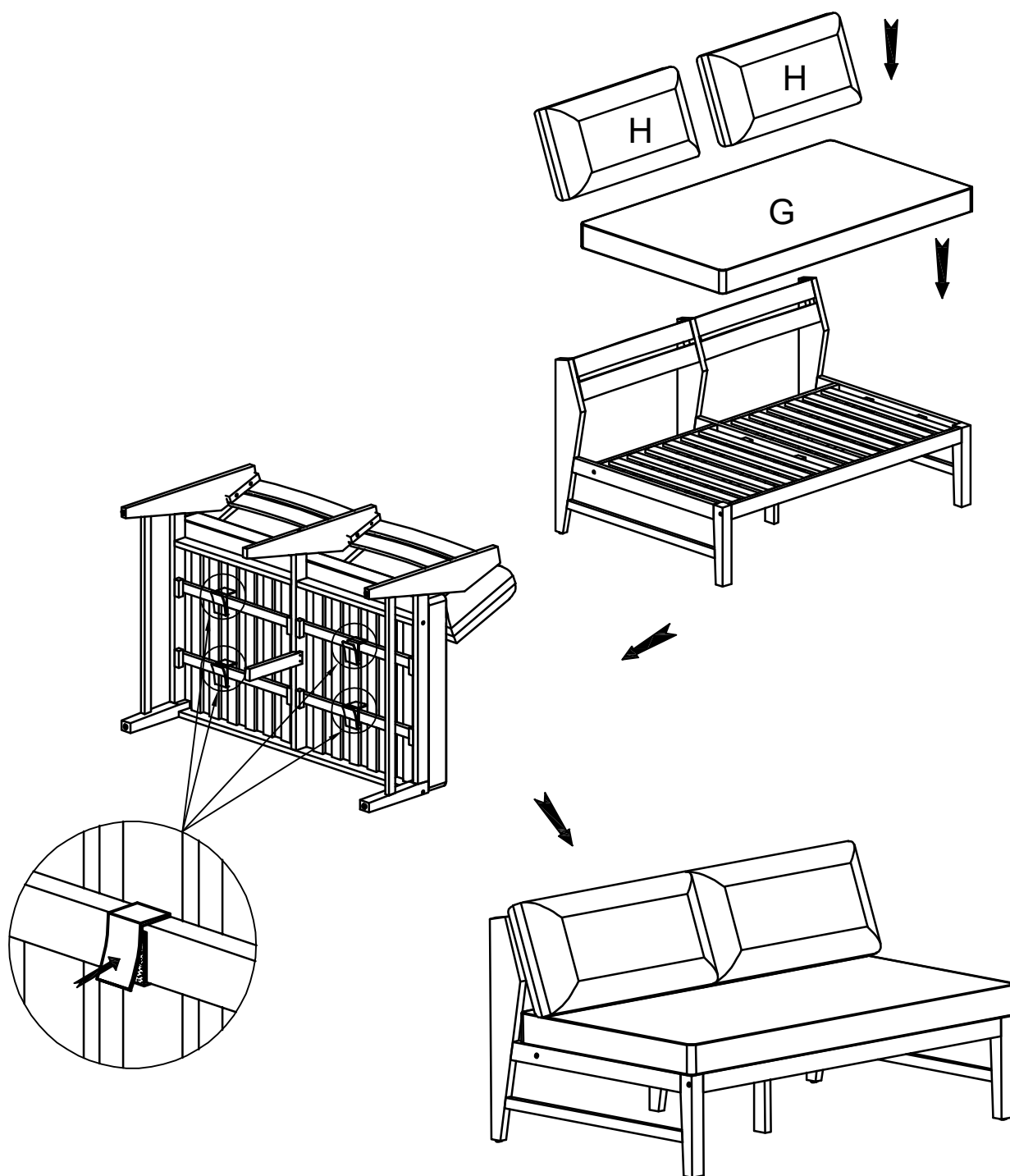
Then get off the Bench and proceed to tighten the Bolts and Screws in a sequential manner.

When tightening the Bolts, Screws tighten sequentially.

DO NOT tighten any Bolts, Screws fully and then move on towards the next one.

If there are still wobbles, loosen the Bolts, Screws and execute this same process.

**Step 8**



Place Seat Cushion (G) and Back Cushion (H) onto the Bench. Tie the velcro straps of Seat Cushion (G) to the support slats of Seat Panel (C) as shown above. Your Bench is ready to use.

**This Bench can only be used on a flat, level surface.**