

# Instruction Sheet

SAVE ALL PACKAGING MATERIALS UNTIL PRODUCT IS FULLY ASSEMBLED. HARDWARE AND SMALL PIECES MAY NOT BE SEEN AND BE ACCIDENTALLY DISCARDED WITH PACKAGING MATERIALS.

FIGURE 1

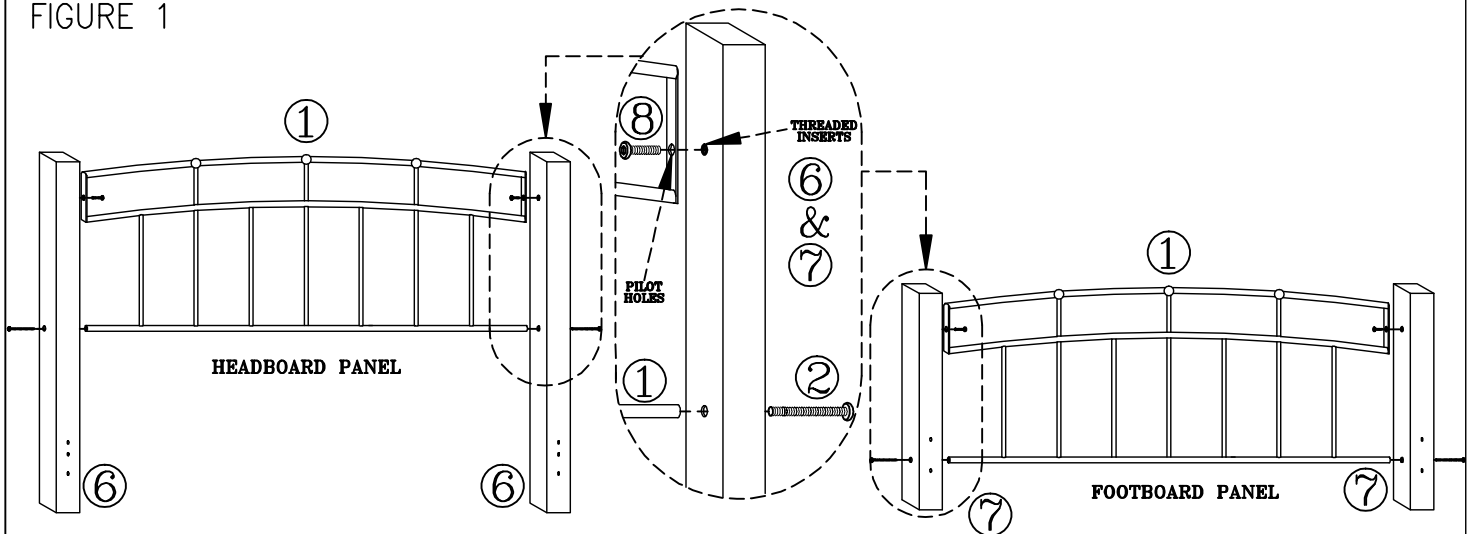
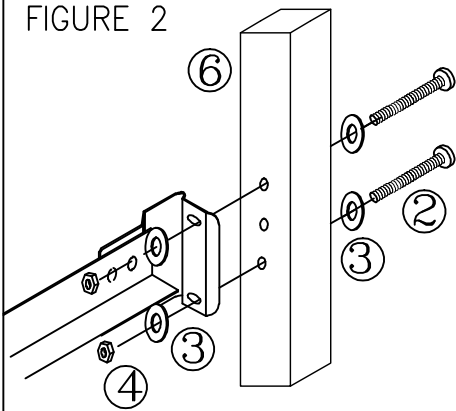


FIGURE 2



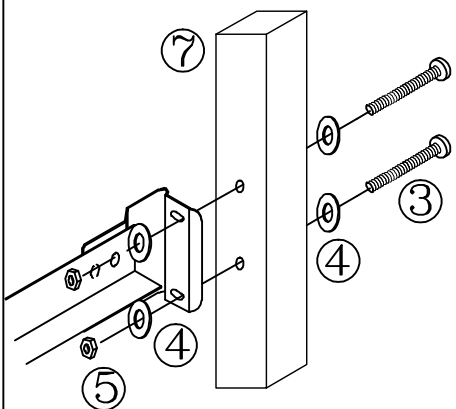
## Step 1- Assembly of Headboard and Footboard Grills.

- Align pilot holes on headboard grill (1) with threaded inserts on headboard post (6). SEE FIGURE 1
- Secure headboard grill (1) to headboard post (6) with screw (2 & 8). Use Allen wrench (5) to tighten.
- Repeat same steps with footboard panel (1) and footboard post (7).

## Step 2- Assembly of Headboard Panel to Frame.

- Place headboard panel and frame in desired location in room.
- Place flat metal washer (3) over screw (2). SEE FIGURE 2
- Insert screw (2) through holes located in post (6).
- Align bed frame over screw (2).
- Place flat metal washer (3) first and then a hex nut (4) on each screw (2). DO NOT TIGHTEN SCREWS COMPLETELY.
- Repeat on other side of headboard.
- Tighten all screws (2) securely. Using Allen wrench to tighten (5).

FIGURE 3



## Step 3- Assembly of Footboard Panel to Frame.

- Position footboard panel and align holes on post (7) with holes in the frame bracket. SEE FIGURE 3
- Place flat metal washer (3) over screw (2).
- Insert screw (2) through holes located in post (7).
- Align bed frame over screw (2).
- Place flat metal washer (3) first and then a hex nut (4) on each screw (2). DO NOT TIGHTEN SCREWS COMPLETELY.
- Repeat on other side of footboard.
- Tighten all screws (2) securely. Using Allen wrench to tighten (5).