

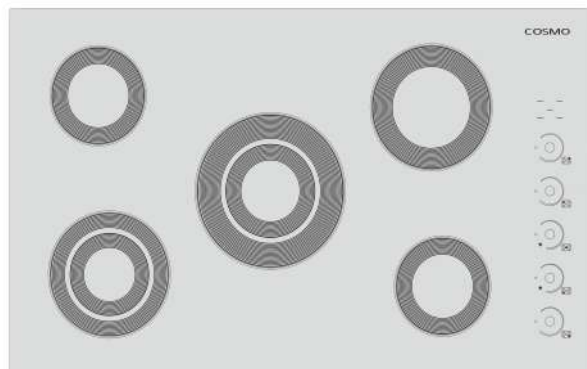
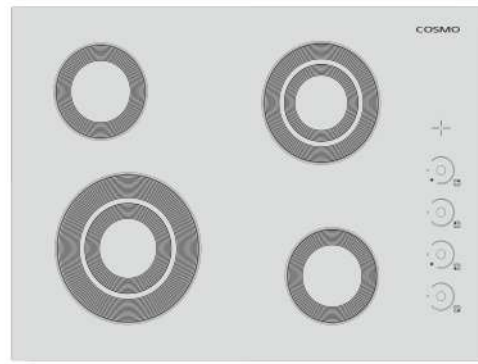
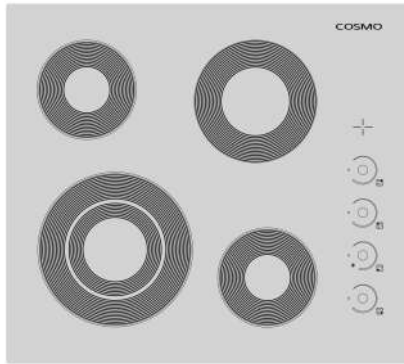


ELECTRIC COOKTOP

COS-244ECC

COS-304ECC

COS-365ECC



Installation Manual

IMPORTANT SAFETY INSTRUCTIONS: Carefully read the following important information regarding installation safety and maintenance. Keep these instructions for future reference.

THANK YOU FOR YOUR PURCHASE

Thank you for your purchase! We know that you have many brands and products to choose from and we are honored to know that you have decided to take one of our products into your home and hope that you enjoy it.

COSMO appliances are designed according to the strictest safety and performance standards for the North American market. We follow the most advanced manufacturing philosophy. Each appliance leaves the factory after thorough quality inspection and testing. Our distributors and our service partners are ready to answer any questions you may have regarding how to install, use and care for your products. We hope that this manual will help you learn to use the product in the safest and most effective manner.

If you have any questions or concerns, please contact the dealer from whom you purchased it, or contact our Customer Support Team at **1-888-784-3108**, or visit **cosmoappliances.com**.

Please read the important safety instructions before using the appliance for your own safety, and to reduce the risk of hazards such as injury, fire and electrical shock.

Please keep this manual for future use.

Once again, thank you!



APPLIANCES

TABLE OF CONTENTS

SAFETY & WARNINGS	4
INSTALLATION REQUIREMENTS	5-11
Tools & Parts	5
Location Requirements	5
Product Specs: COS-244ECC	6
Product Specs: COS-304ECC	7
Product Specs: COS-366ECC	8
Cabinet Dimensions	9
Electrical Requirements	10-11
INSTALLATION INSTRUCTIONS	12-17
Prepare Cooktop for Installation	12
Install Cooktop	12-13
Make Electrical Connection	14-16
Complete Installation	17
WARRANTY & SERVICE	18-19

SAFETY & WARNINGS

SAVE THESE INSTRUCTIONS FOR FUTURE REFERENCE AND FOR LOCAL ELECTRICAL INSPECTOR'S USE.



This is the safety alert symbol. This symbol alerts you to potential hazards that can kill or hurt you and others.

All safety messages follow the safety alert symbol and one of the following words:

⚠ DANGER! You can be killed or seriously injured if you do not immediately follow instructions.

⚠ WARNING! You can be killed or seriously injured if you don't follow instructions.

⚠ CAUTION! Hazards or unsafe practices **COULD** result in minor personal injury if you don't follow instructions.

All safety messages will tell you what the potential hazard is, tell you how to reduce the chance of injury, and tell you what can happen if the instructions are not followed.

Always read and obey all safety messages.

INSTALLATION REQUIREMENTS

TOOLS & PARTS

Gather the required tools and parts before starting installation. Read and follow the instructions provided with any tools listed here.

Tools Required

- 1/4 inch (6.35 mm) Nut Driver
- Pliers
- Flat-head Screwdriver
- Tape Measure
- Marker or Pencil

Parts Included

- Foam strip roll
- Clamping brackets (x2)
- 2 1/2 inch (6.4 cm) clamping screws (x2)

Parts Required

- A UL-listed -OR- CSA-approved connector for 1/2 inch (1.3 cm) diameter conduit
- UL-listed wire connectors

Check local codes. Check existing electrical supply. See the “Electrical Requirements” section.

It is highly recommended that all electrical connections be made by a licensed, qualified electrical installer.

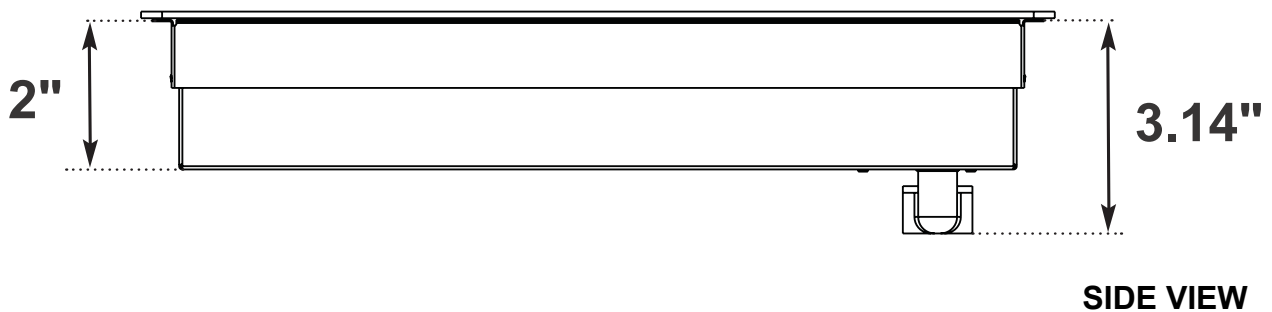
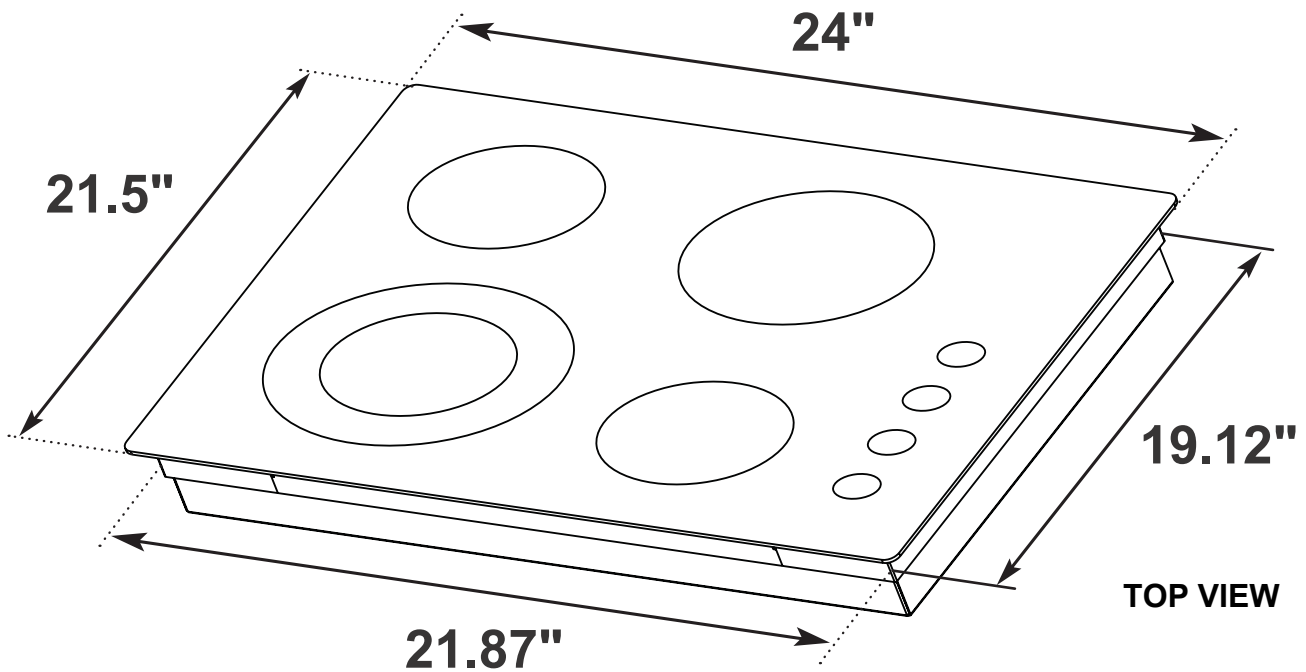
LOCATION REQUIREMENTS

⚠ IMPORTANT!: Observe all governing codes and ordinances. When installing the cooktop, use the minimum dimensions given.

- To eliminate the risk of burns or fire by reaching over the heated surface units, cabinet storage space located above the surface units should be avoided. If cabinet storage is to be provided, the risk can be reduced by installing a range hood that projects horizontally a minimum of 5" (12.7 cm) beyond the bottom of the cabinets.
- The cooktop must be a specified cooktop that is approved to be installed either alone or over an under-counter built-in oven. Check the cooktop base for an approved installation label. If you do not find this label, contact your dealer to confirm that your cooktop is approved.
- The cooktop must be installed on a level countertop.
- The cooktop should be installed away from strong draft areas, such as windows, doors, fans, or strong heating vents.
- The cooktop should be located for convenient use in the kitchen.
- Use the countertop opening dimensions that are given with these Installation Instructions. Given dimensions are minimum clearances.
- A grounded electrical supply is required. See “Electrical Requirements”, **Pages 10-11**.

⚠ IMPORTANT!: To avoid damage, check with your builder or cabinet supplier to make sure that the materials used will not discolor, delaminate or sustain other damage.

INSTALLATION REQUIREMENTS



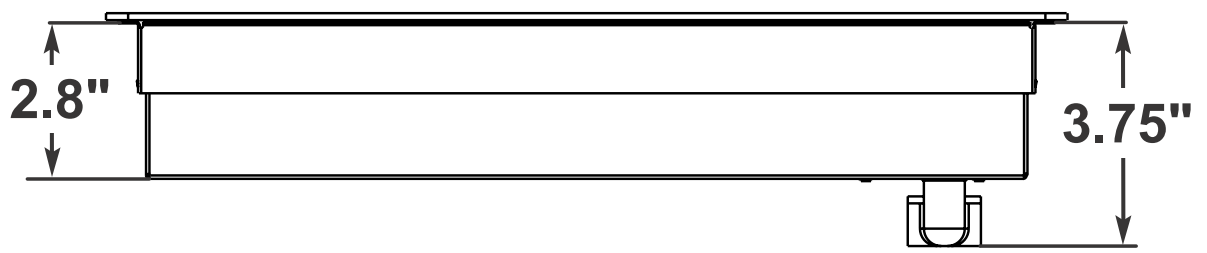
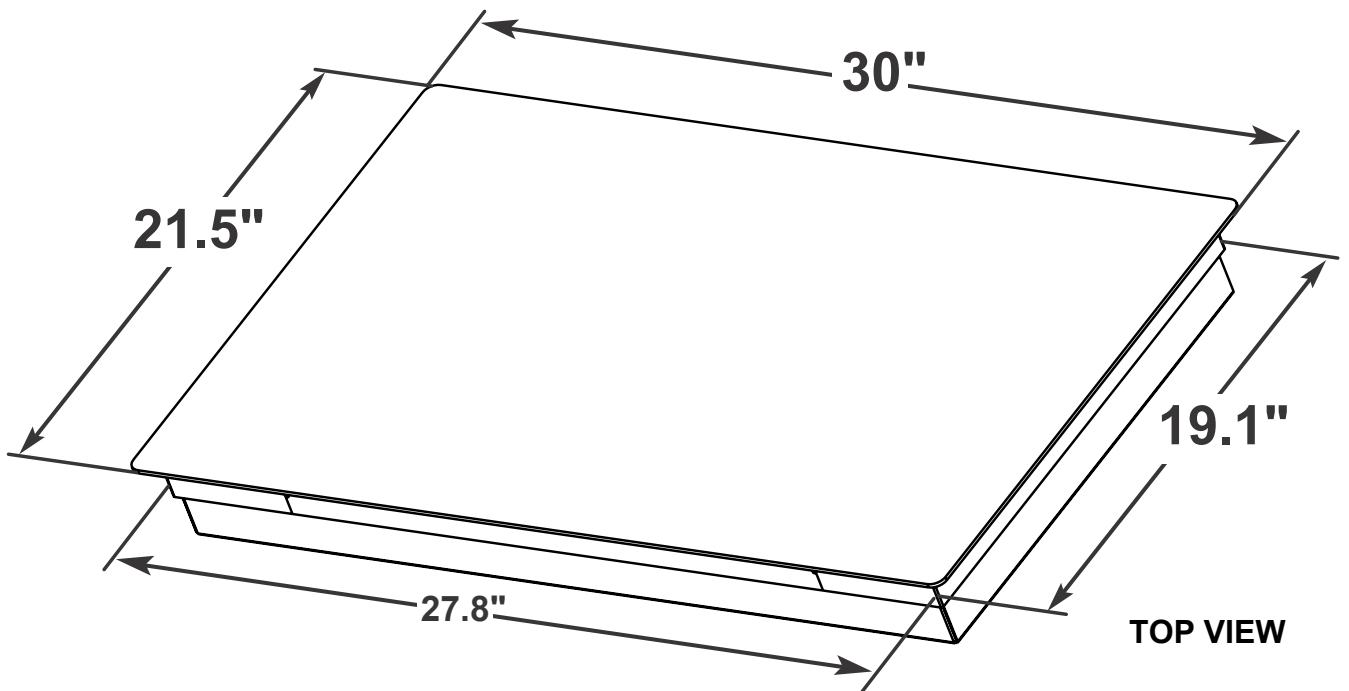
PRODUCT SPECIFICATIONS

SKU	COS-244ECC
Rated Voltage	240V
Rated Frequency	60Hz
Rated Output Power	5500W
Net Weight	20 lbs.
Glass Depth	21.5 in. / 54.6 cm
Glass Width	24 in. / 61 cm
Frame Depth	19.12 in. / 48.6 cm
Frame Width	21.87 in. / 55.6 cm
Cooktop Height	2 in. / 5.2 cm
Cooktop Height including conduit*	3.14 in. / 8 cm

BURNER	SPECS
Right Front	Single Zone, 5.9 in., 1200W
Right Rear	Single Zone, 7.5 in., 1800W
Left Front	Dual Zone, 9.3 / 5.5 in., 2500W / 1200W
Left Rear	Single Zone, 5.9 in., 1200W

*Located at rear of cooktop, right side

INSTALLATION REQUIREMENTS



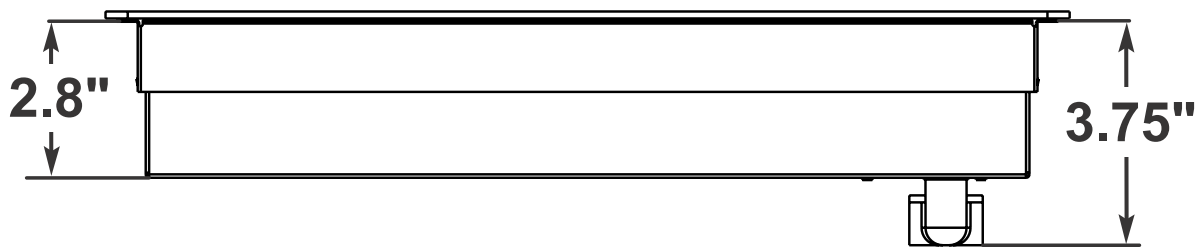
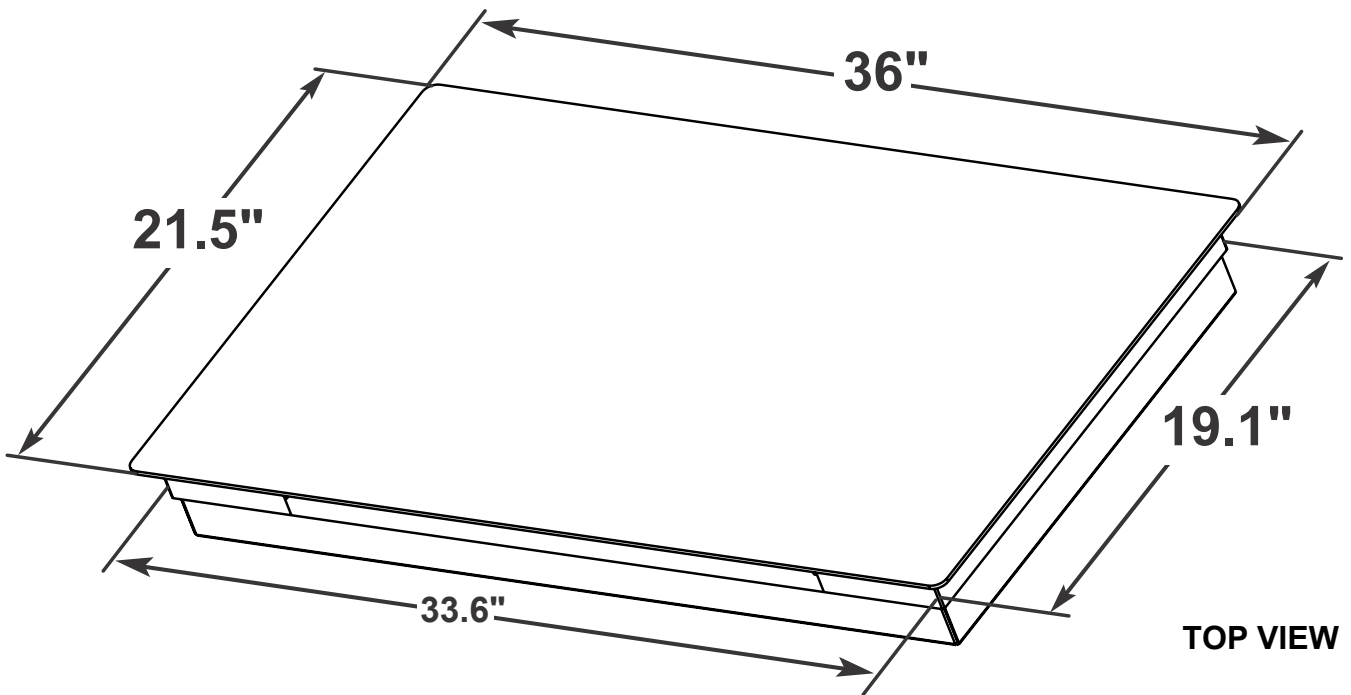
PRODUCT SPECIFICATIONS

SKU	COS-304ECC
Rated Voltage	240V
Rated Frequency	60Hz
Rated Output Power	6700W
Net Weight	23.59 lbs.
Glass Depth	21.5 in. / 54.6 cm
Glass Width	30 in. / 76.2 cm
Frame Depth	19.12 in. / 48.6 cm
Frame Width	27.81 in. / 70.6 cm
Cooktop Height	2.81 in. / 5.6 cm
Cooktop Height including conduit*	3.75 in. / 9.5 cm

BURNER	SPECS
Right Front	Single Zone, 5.9 in., 1200W
Right Rear	Dual Zone, 7.5 / 4.7 in., 1800W / 750W
Left Front	Dual Zone, 9.3 / 5.5 in., 2500W / 1200W
Left Rear	Single Zone, 5.9 in., 1200W

*Located at rear of cooktop, right side

INSTALLATION REQUIREMENTS



PRODUCT SPECIFICATIONS

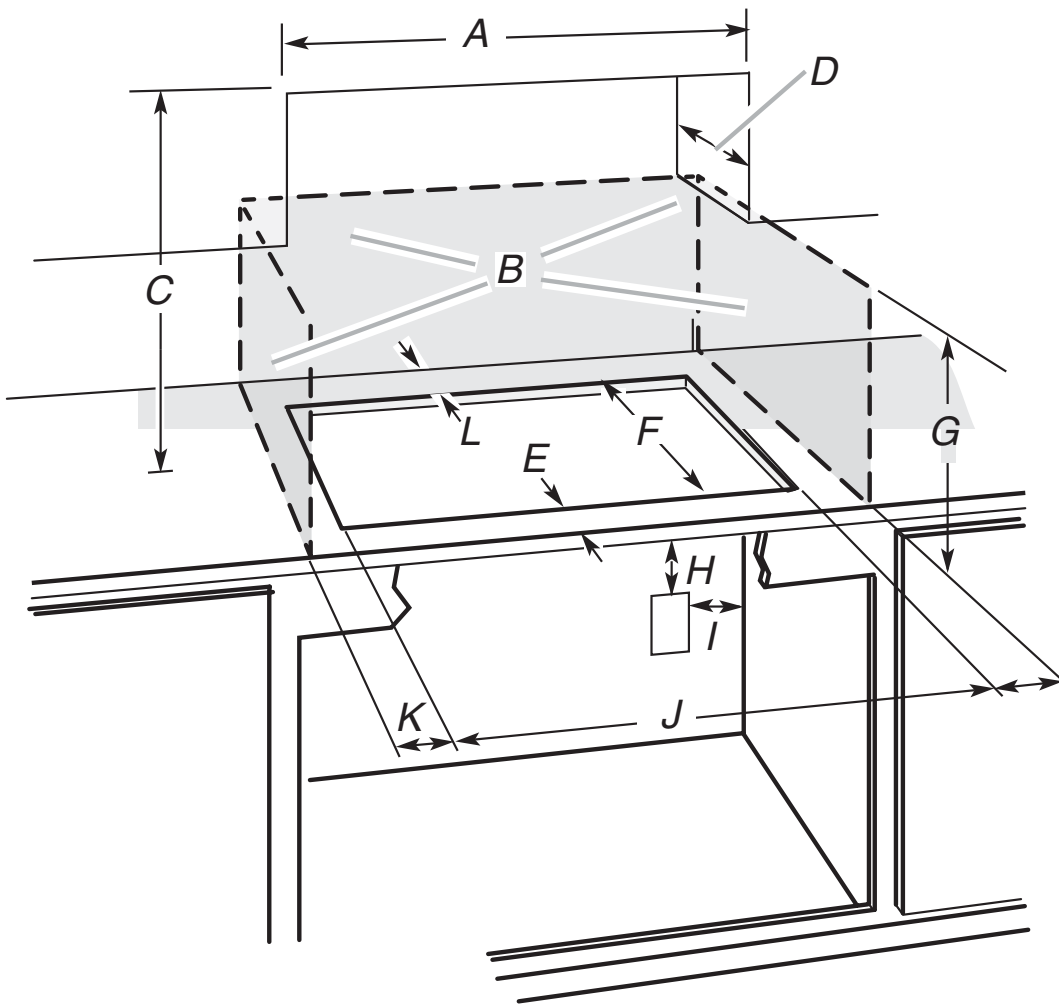
SKU	COS-365ECC
Rated Voltage	240V
Rated Frequency	60Hz
Rated Output Power	8500W
Net Weight:	28.22 lbs.
Glass Depth	21.5 in. / 54.6 cm
Glass Width	36 in. / 91.4 cm
Frame Depth	19.12 in. / 48.6 cm
Frame Width	33.68 in. / 85.6 cm
Cooktop Height	2.81 in. / 5.6 cm
Cooktop Height including conduit*	3.75 in. / 9.5 cm

BURNER	SPECS
Right Front	Single Zone, 5.9 in., 1200W
Right Rear	Single Zone, 7.5 in., 1800W
Middle	Dual Zone, 9.3 / 5.5 in., 2500W / 1200W
Left Front	Dual Zone, 7.5 / 4.7 in., 1800W / 750W
Left Rear	Single Zone, 5.9 in., 1200W

*Located at rear of cooktop, right side

INSTALLATION REQUIREMENTS

CABINET DIMENSIONS



⚠ IMPORTANT!
If installing a range hood or microwave hood combination above the cooktop, follow the range hood or microwave hood combination installation instructions for dimensional clearances above the cooktop surface.

A.) 24" (61.0 cm) on 24" models; 30" (76.2 cm) on 30" models; 36" (91.4 cm) on 36" models

B.) Combustible area above countertop (shown by dashed box above)

C.) 30" (76.2 cm) minimum clearance between top of cooktop platform and bottom of uncovered wood or metal cabinet (24" [61 cm] minimum clearance if bottom of wood or metal cabinet is covered by not less than ¼" [0.6 cm] flame retardant millboard covered with not less than No. 28 MSG sheet steel, 0.015" [0.04 cm] stainless steel, or 0.024" [0.06 cm] aluminum or 0.020" [0.05 cm] copper)

D.) 13" (33 cm) recommended upper cabinet depth

E.) 2" (5.1 cm)

F.) 19 1/4" (49.0 cm) recommended cutout. Will fit in cutout from 19 1/8"-19 5/16" (48.6- 49.0 cm)

G.) 18" (45.7 cm) minimum clearance from upper cabinet to countertop within minimum horizontal clearances to cooktop

H.) Junction box or outlet: 7" (17.8 cm) minimum from top of countertop

I.) Junction box or outlet: 9" (23.0 cm) maximum from right side of cabinet

J.) 22" (56.0 cm) recommended cutout on 24" (61.0 cm) models.

Will fit in cutout from 21 7/8"-22 1/8" (55.6-56.2 cm) on 24" (61.0 cm) models.

27 15/16" (71.0 cm) recommended cutout on 30" (76.2 cm) models. Will fit in cutout from 27 13/16"-28" (70.6-71.2 cm) on 30" (76.2 cm) models.

33 7/8" (86.0 cm) recommended cutout on 36" (91.4 cm) models. Will fit in cutout from 33 11/16"-33 15/16" (85.6-86.2 cm) on 36" (91.4 cm) models.

K.) 2" (5.1 cm) minimum distance to nearest left and right side combustible surface above cooktop

L.) 2" (5.1 cm) minimum clearance between back wall and countertop

INSTALLATION REQUIREMENTS

ELECTRICAL REQUIREMENTS



WARNING!
ELECTRICAL
SHOCK HAZARD

- **Disconnect power before servicing.**
- **Use 8-Gauge copper wire.**
- **Electrically ground the cooktop.**
- **Failure to follow these instructions can result in death, fire, or electrical shock.**

If codes permit and a separate ground wire is used, it is recommended that a qualified electrical installer determine that the ground path and wire gauge are in accordance with local codes.

Check with a qualified electrical installer if you are not sure the cooktop is properly grounded.

Make sure that the electrical connection and wire size are adequate and in conformance with the National Electrical Code, ANSI/NFPA 70-latest edition or CSA Standards C22.1-94, Canadian Electrical Code, Part 1 and C22.2 No. O-M91-latest edition, and all local codes and ordinances.

A copy of the above code standards can be obtained from the following:

National Fire Protection Association
1 Batterymarch Park
Quincy, MA 02169-7471

CSA International
8501 East Pleasant Valley Road
Cleveland, OH 44131-5575

(Continued on next page)

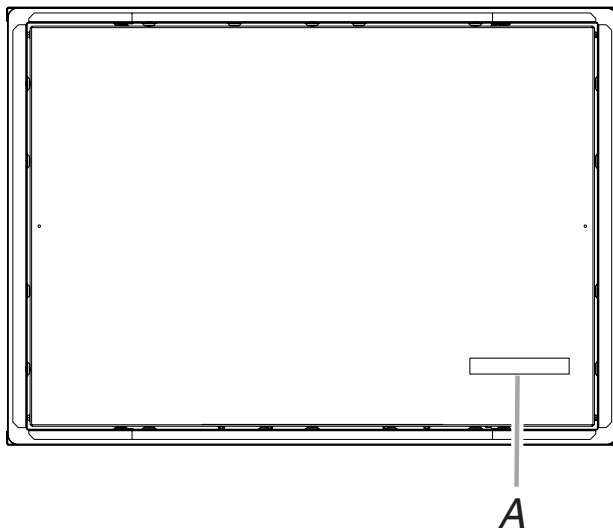
INSTALLATION REQUIREMENTS

ELECTRICAL REQUIREMENTS (Continued)

Before You Make the Electrical Connection

To properly install your cooktop, you must determine the type of electrical connection you will be using and follow the instructions provided for it here.

- A 3-wire or 4-wire, single-phase, 120/240 volt, 60-Hz., AC-only electrical supply is required on a separate, 40-amp circuit fused on both sides of the line. The model/serial number rating plate is located on the metal cabinet underneath the cooktop. See the following illustration.



A.) Model / serial number plate

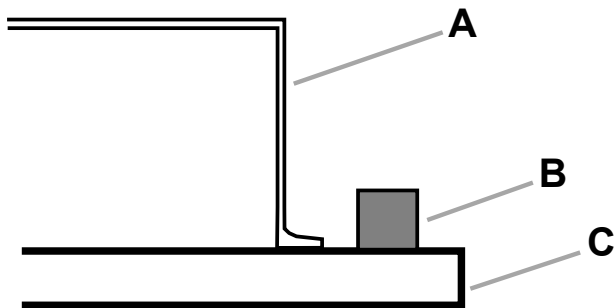
- The cooktop should be connected directly to the junction box through flexible, armored or nonmetallic sheathed, copper cable. The flexible, armored cable extending from the fuse box or circuit breaker box should be connected directly to the junction box.
- Locate the junction box to allow as much slack as possible between the junction box and the cooktop so that the cooktop can be moved if servicing becomes necessary in the future.
- Do not cut the conduit. Use the length of the conduit provided.
- A UL-listed or CSA-approved conduit connector must be provided at each end of the power supply cable (at the cooktop and at the junction box). A listed conduit connector is already provided at the cooktop.
- If the house has aluminum wiring, follow the procedure below:
 - a. Connect a section of solid copper wire to the pigtail leads.
 - b. Connect the aluminum wiring to the added section of the copper wire using special connectors and/or tools designed and UL listed for joining copper to aluminum.

Follow the electrical connector manufacturer's recommended procedure. Aluminum/copper connection must conform with local codes and industry-accepted wiring practices.

INSTALLATION INSTRUCTIONS

PREPARE COOKTOP FOR INSTALLATION

⚠ WARNING! EXCESSIVE WEIGHT HAZARD: Use two or more people to move and install the cooktop. Failure to do so can result in back or other injury.



- A.) Cooktop base
- B.) 1/16" x 3/16" (0.2 x 0.5 cm) Foam strip
- C.) Cooktop

NOTE: The foam strip helps avoid damage to the underside of the cooktop glass from debris and helps the cooktop sit flat on uneven counters.

Decide on the final location for the cooktop. Avoid drilling into or severing existing wiring during installation.

1. Using 2 or more people, place the cooktop upside down on a covered surface using the foam end posts from the packaging. Make sure that the knobs are not resting on the foam.
2. Remove foam strip roll from the package containing literature. Remove the strip at a time and apply foam strip adhesive-side down around bottom of the cooktop glass.

INSTALL COOKTOP

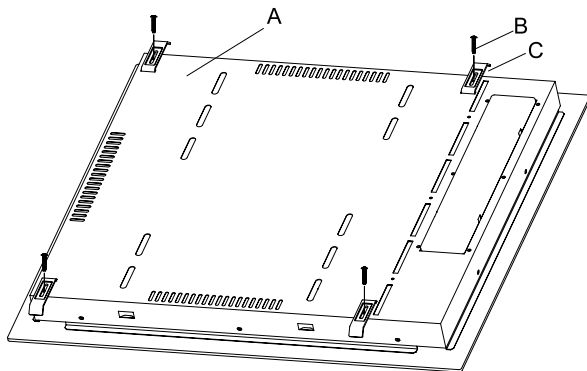
Style 1: Cooktop over under-counter built-in oven

⚠ IMPORTANT!: Clamping brackets should not be used.

1. Using 2 or more people, place the cooktop right side up into the cutout.

NOTE: Make sure that the front edge of the cooktop is parallel to the front edge of the countertop. If repositioning is needed, lift the entire cooktop up from the cutout to avoid scratching the countertop.

TRADITIONAL KNOB MODELS



- A.) Cooktop base bottom / B.) Clamping screw / C.) Clamping bracket

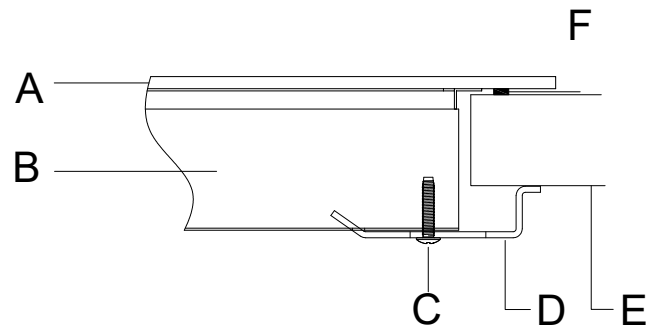
Style 2: Cooktop over cabinets

1. Determine whether your cabinet construction provides clearance for installing clamping brackets at cooktop base ends.
2. The clamping brackets must be installed after the cooktop is placed into the cutout. Complete the following steps for the option.

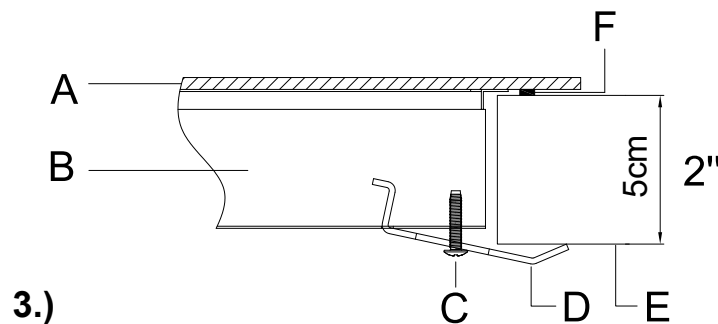
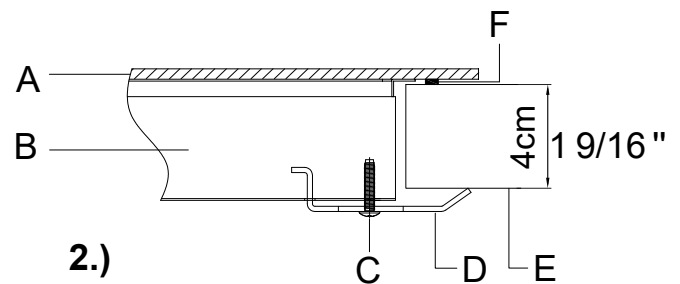
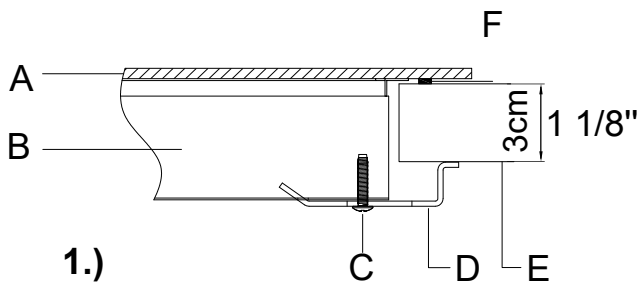
INSTALLATION INSTRUCTIONS

Installing Brackets After Placing Cooktop in Cutout

1. Using 2 or more people, place the cooktop right side up into the cutout.
 - a. NOTE: Make sure that the front edge of the cooktop is parallel to the front edge of the countertop. If repositioning is needed, lift the entire cooktop up from the cutout to avoid scratching the countertop.
2. Remove the selected bracket locations from the bottom of the cooktop base.
3. Select bracket mounting location that will allow the bracket to extend far enough out from the cooktop for the installation of clamping screws.
4. Attach brackets to cooktop base bottom with bracket clamping screws using the bracket mounting holes. Securely tighten screws.



- A) Cooktop
- B) Cooktop base
- C) Clamping screw
- D) Clamping bracket (extends far enough beyond cooktop base to allow installation of clamping screws)
- E) Countertop
- F) Foam seal



INSTALLATION INSTRUCTIONS

MAKE ELECTRICAL CONNECTION



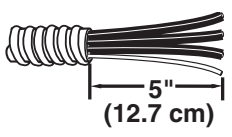
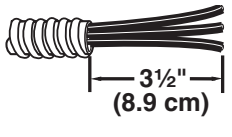
WARNING!
ELECTRICAL
SHOCK HAZARD

- **Disconnect power before servicing.**
- **Use 8-Gauge copper wire.**
- **Electrically ground the cooktop.**
- **Failure to follow these instructions can result in death, fire, or electrical shock.**

This cooktop is manufactured with a frame-connected, green, or bare-ground wire. Connect the cooktop cable to the junction box through the UL-listed or CSA-approved conduit connector.

ELECTRICAL CONNECTION OPTIONS

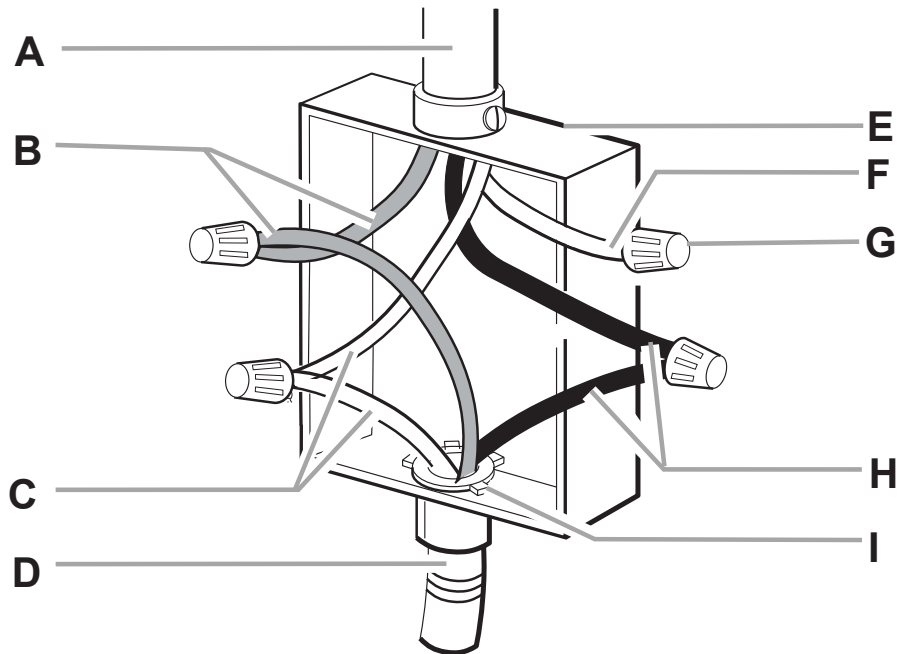
For cooktops with a 3-wire cable:

If your home has:	And you will be connecting to:	Go to Section:
4-wire direct 	A fused disconnect or circuit breaker box	4-Wire Cable from Power Supply to 3-Wire Cable from Cooktop
3-wire direct 	A fused disconnect or circuit breaker box	3-Wire Cable from Power Supply to 3-Wire Cable from Cooktop

INSTALLATION INSTRUCTIONS

4-Wire Cable from Power Supply to 3-Wire Cable from Cooktop

⚠ IMPORTANT!: Use the 4-wire cable from power supply where local codes do not permit connecting the frame-ground conductor to the neutral (white) junction box wire.



A.) 4-wire cable from power supply

B.) Red wires

C.) Green or bare ground wire (from cooktop)

D.) 3-wire cable from cooktop

E.) Junction box

F.) White wire (from power supply)

G.) UL listed wire connector

H.) Black wires

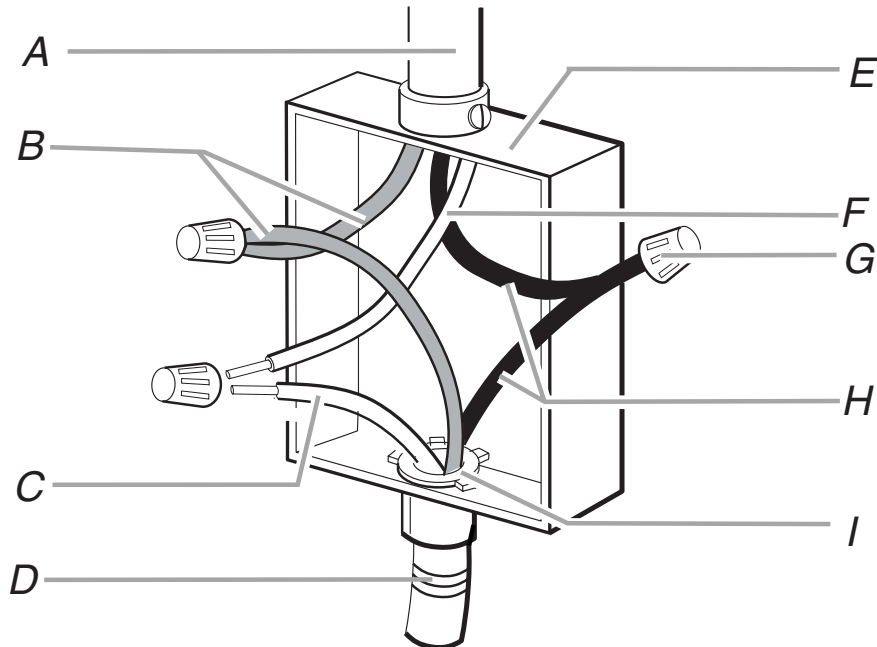
I.) UL-listed or CSA-approved conduit connector

1. Disconnect the power.
2. Remove junction box cover if present.
3. Connect the flexible cable conduit from the cooktop to the junction box using a UL-listed or CSA-approved conduit connector.
4. Tighten screws on the conduit connector, if present.
5. Connect the two black wires together using the UL-listed wire connectors.
6. Connect the two red wires together using the UL-listed wire connectors.
7. Connect the green or bare ground wire from the cooktop cable to the green or bare ground wire (in the junction box) using the UL-listed wire connectors.
8. Put a UL-listed wire connector on the end of the white wire.
 - a. NOTE: Do not connect the bare ground wire to the neutral (white) wire in the junction box.
9. Install junction box cover.
10. Reconnect power.

INSTALLATION INSTRUCTIONS

3-Wire Cable from Power Supply to 3-Wire Cable from Cooktop

⚠ IMPORTANT! Use the 3-wire cable from the power supply where local codes permit connecting the frame-ground conductor to the neutral (white) junction box wire.



A.) 3-wire cable from power supply

B.) Red wires

C.) Green or bare ground wire (from cooktop)

D.) 3-wire cable from cooktop

E.) Junction box

F.) White wire (from power supply)

G.) UL-listed wire connector

H.) Black wires

I.) UL-listed or CSA approved conduit connector

1. Disconnect the power.
2. Remove junction box cover, if present.
3. Connect the flexible cable conduit from the cooktop to the junction box using a UL-listed or CSA-approved conduit connector.
4. Tighten screws on the conduit connector if present.
5. Connect the two black wires together using the UL-listed wire connectors.
6. Connect the two red wires together using the UL-listed wire connectors.
7. Connect the green or bare cooktop cable wires to the white (neutral) wire in the junction box using the UL-listed wire connectors.
8. Install junction box cover.
9. Reconnect power.

INSTALLATION INSTRUCTIONS

COMPLETE INSTALLATION

1. Check that all parts are now installed. If there is an extra part leftover, go back through the installation steps to determine what may have been missed or skipped.
2. Check that you have all your tools.
3. Dispose of / recycle all packaging materials.
4. Use a mild solution of liquid household cleaner and warm water to clean cooktop
5. before use. Dry thoroughly with a soft cloth. For more information, see the "Care & Maintenance" section in the User Manual.
6. Read the entire "Operating Instructions" section in the User Manual.
7. Reconnect power.

NOTE: If the cooktop does not work after turning on the power, check that a circuit breaker has not tripped or a household fuse has not blown. See "Troubleshooting" in the User Manual for further information.

If you need assistance or service, please refer to sections "Warranty & Service" on **Pages 18-19** of this manual.

WARRANTY AND SERVICE

For full warranty details on this product please visit:
<http://www.cosmoappliances.com/warranty>

TO RECEIVE WARRANTY SERVICE, YOUR
PRODUCT MUST BE REGISTERED. TO REGISTER, VISIT:

WWW.COSMOAPPLIANCES.COM/WARRANTY

SCAN TO REGISTER



IMPORTANT

Do Not Return This Product To The Store If
you have a problem with this product, please contact

Cosmo Customer Support at

+1(888)784-3108

DATED PROOF OF PURCHASE, MODEL #, AND SERIAL #
REQUIRED FOR WARRANTY SERVICE

IMPORTANT

Ne pas Réexpédier ce Produit au Magasin
Pour tout problème concernant ce produit, veuillez contacter
le service des consommateurs Cosmo Customer Support au

+1(888) 784-3108

UNE PREUVE D'ACHAT DATEE EST REQUISE POUR BENEFICIER DE
LA GARANTIE.

IMPORTANTE

No regrese este producto a la tienda
Si tiene algún problema con este producto, por favor contacte el
AYUDA AL CLIENTE COSMO al

+1(888)784-3108

(Válido solo en E.U.A).

NECESITA UNA PRUEBA DE DE COMPRA FECHADA, NÚMERO DE
MODELO Y DE SERIE PARA EL SERVICIO DE LA GARANTÍA

Correct Disposal of this product:



This marking indicates that this appliance should not be disposed with other household wastes. To prevent possible harm to the environment or human health from uncontrolled waste disposal, recycle it responsibly to promote the sustainable reuse of material resources.



APPLIANCES

Cosmo is constantly making efforts to improve the quality and performance of our products, so we may make changes to our appliances without updating this manual.

Electronic version of this manual is available at:
www.cosmoappliances.com