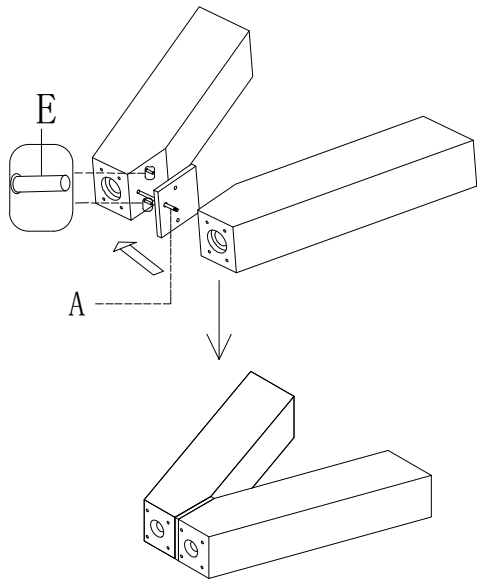
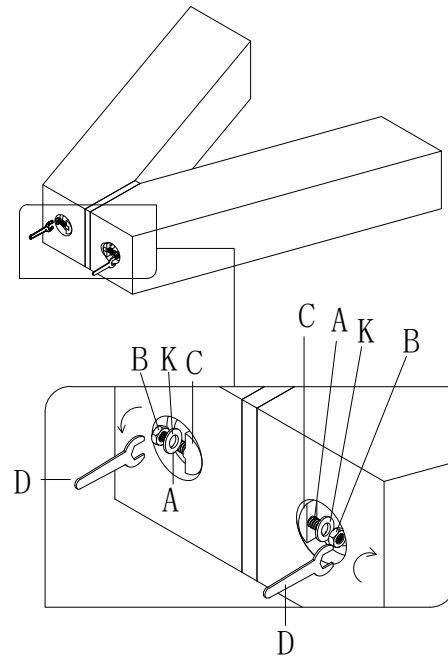


ASSEMBLY INSTRUCTION

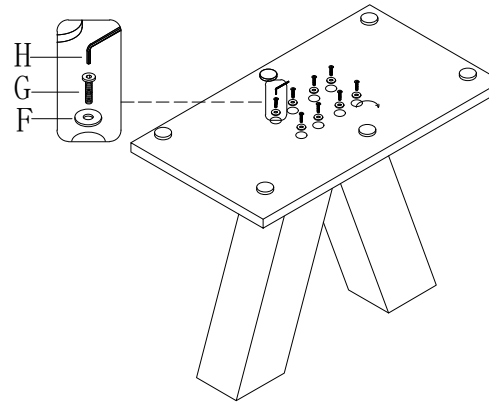
STEP 1



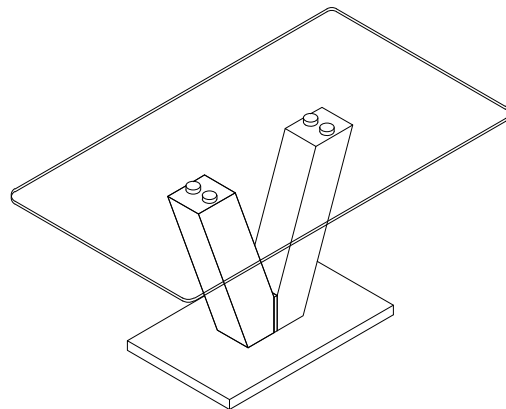
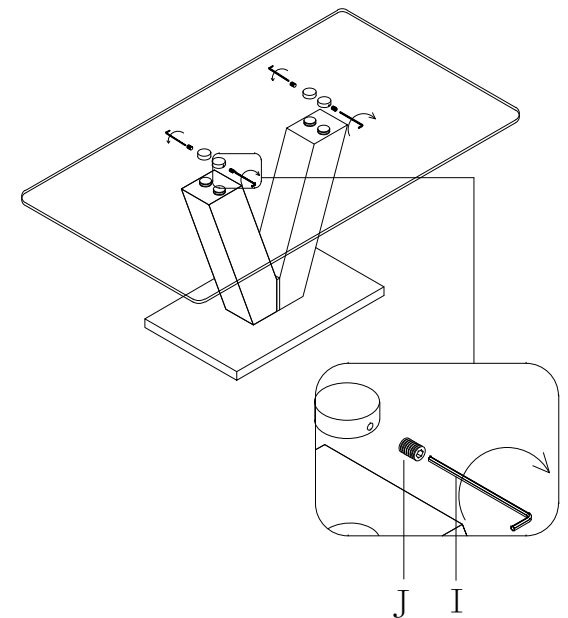
STEP 2



STEP 3



STEP 4



A		1pc	G		8pcs
B		2pcs	H		1pc
C		2pcs	I		1pc
D		2pcs	J		4pcs
E		2pcs	K		2pcs
F		8pcs			