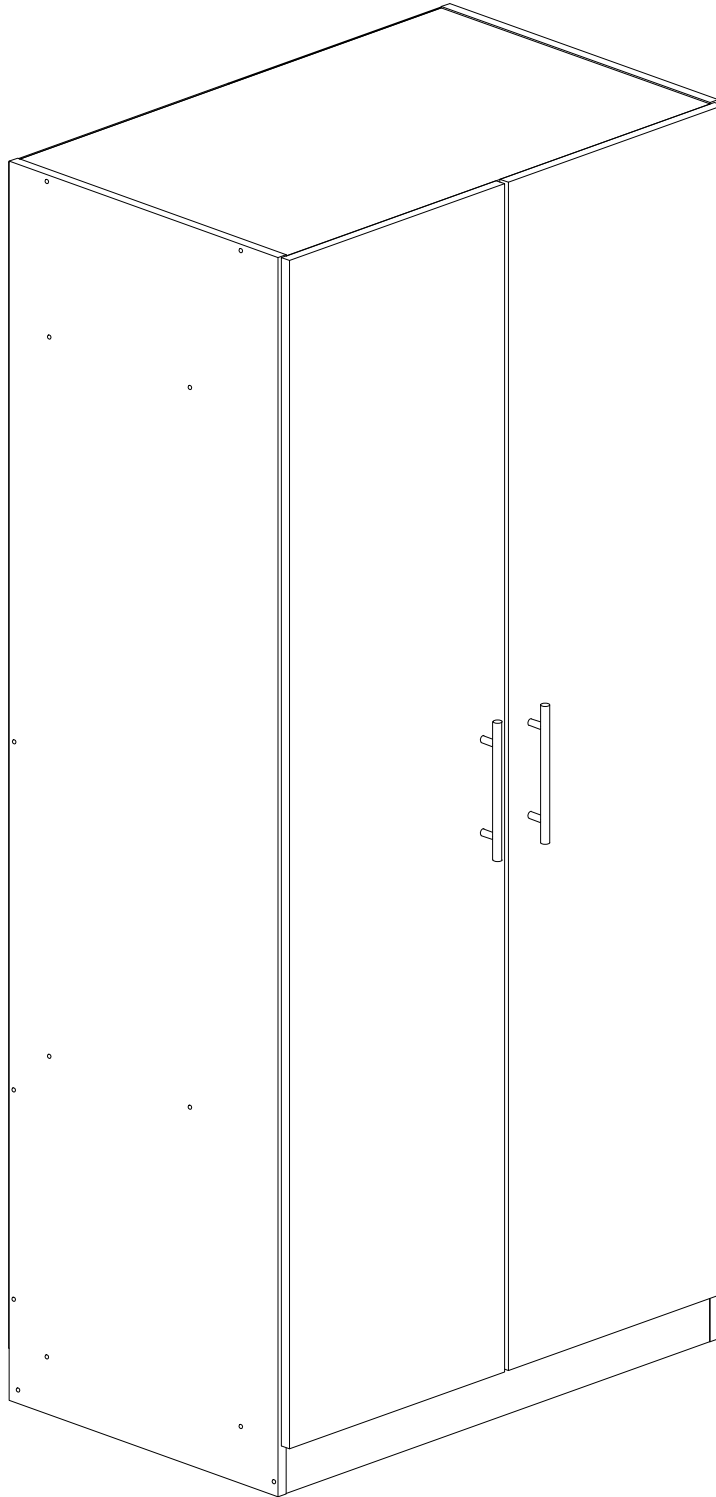
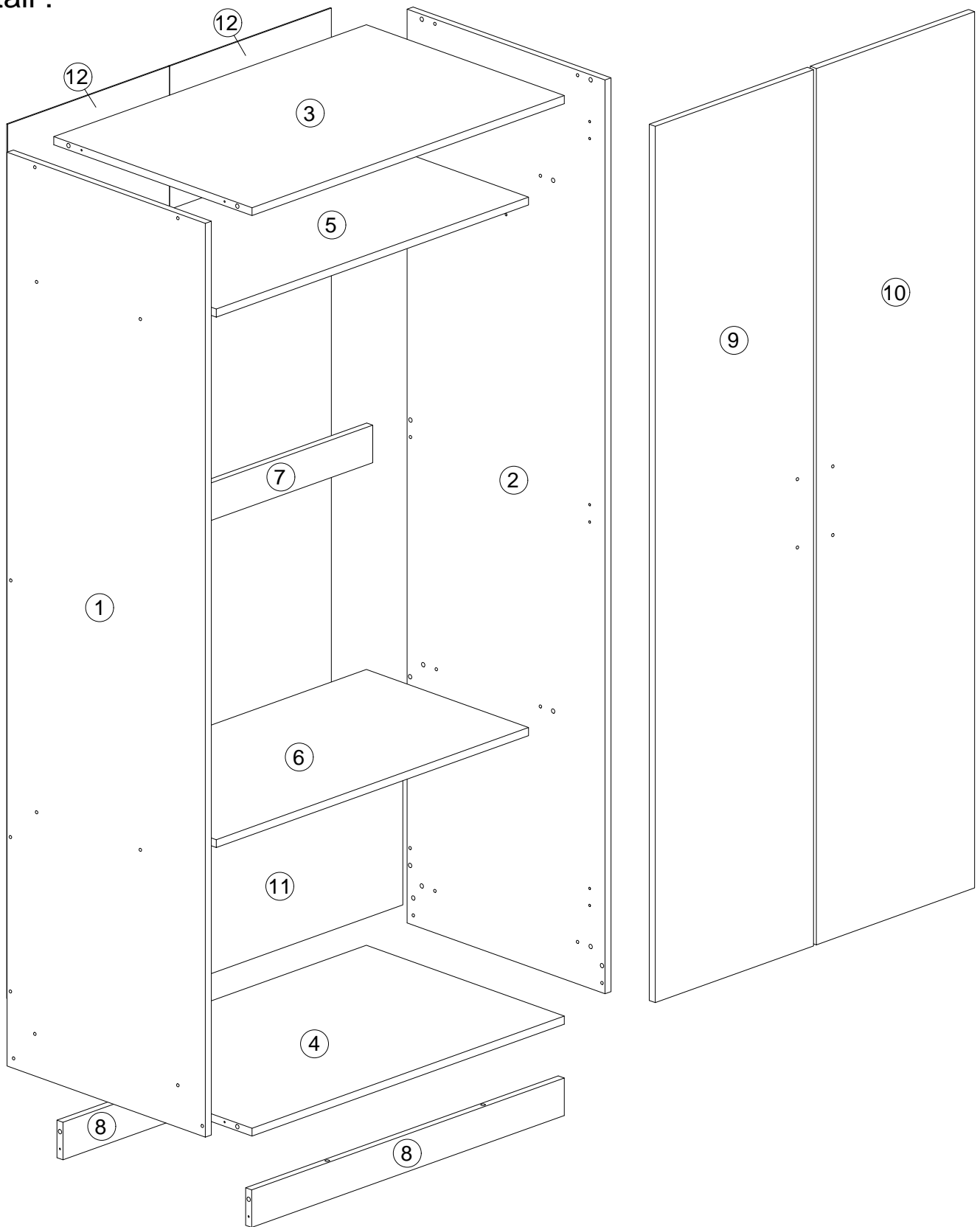


Assembly Instruction



Assembly Instruction

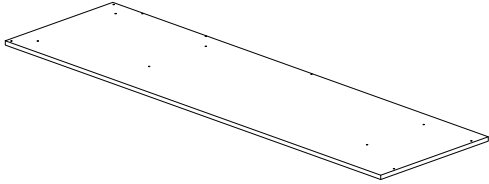
Detail :



Assembly Instruction

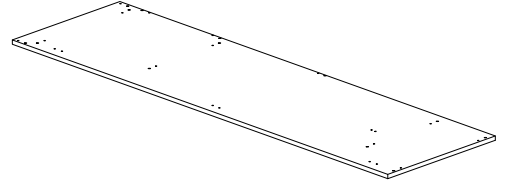
Part List

① X 1



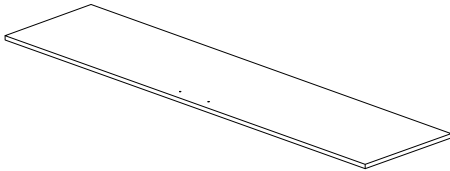
Side Panel Left

② X 1



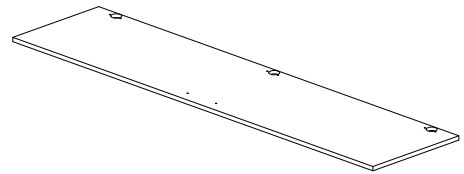
Side Panel Right

⑨ X 1



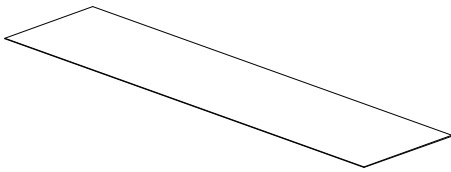
Door Panel Left

⑩ X 1



Door Panel Right

⑫ X 2

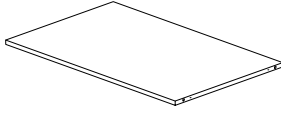


Back Panel

Assembly Instruction

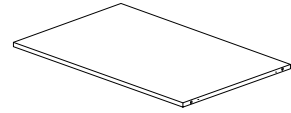
Part List

③ X 1



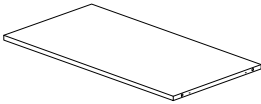
Top Panel

④ X 1



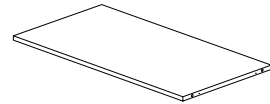
Bottom Panel

⑤ X 1



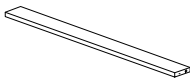
Partition Up

⑥ X 1



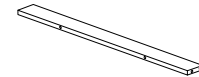
Partition Down

⑦ X 1



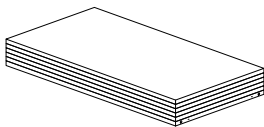
Back Support Panel

⑧ X 2



Bottom Support Panel

⑪ X 1







Back Panel Down

Assembly Instruction

Hardware List

No.	SHAPE	DESCRIPTION	Qty.
A		8x25mm Dowel Wood	30Pcs
B		M3.5x16mm Screw	40Pcs
C		M4x45mm Screw	26Pcs
D		V Bracket	2Pcs
E		Handle 12 x 128	2Pcs
F		M4x28mm Screw	4Pcs
G		Hinges 2/8	6Pcs
H		5/8 Nail With Pin	4Pcs
I		6/8 Power Pin	40Pcs
J		Aluminium Pipe(763mm)	1Pc
K		Sticker	26Pcs

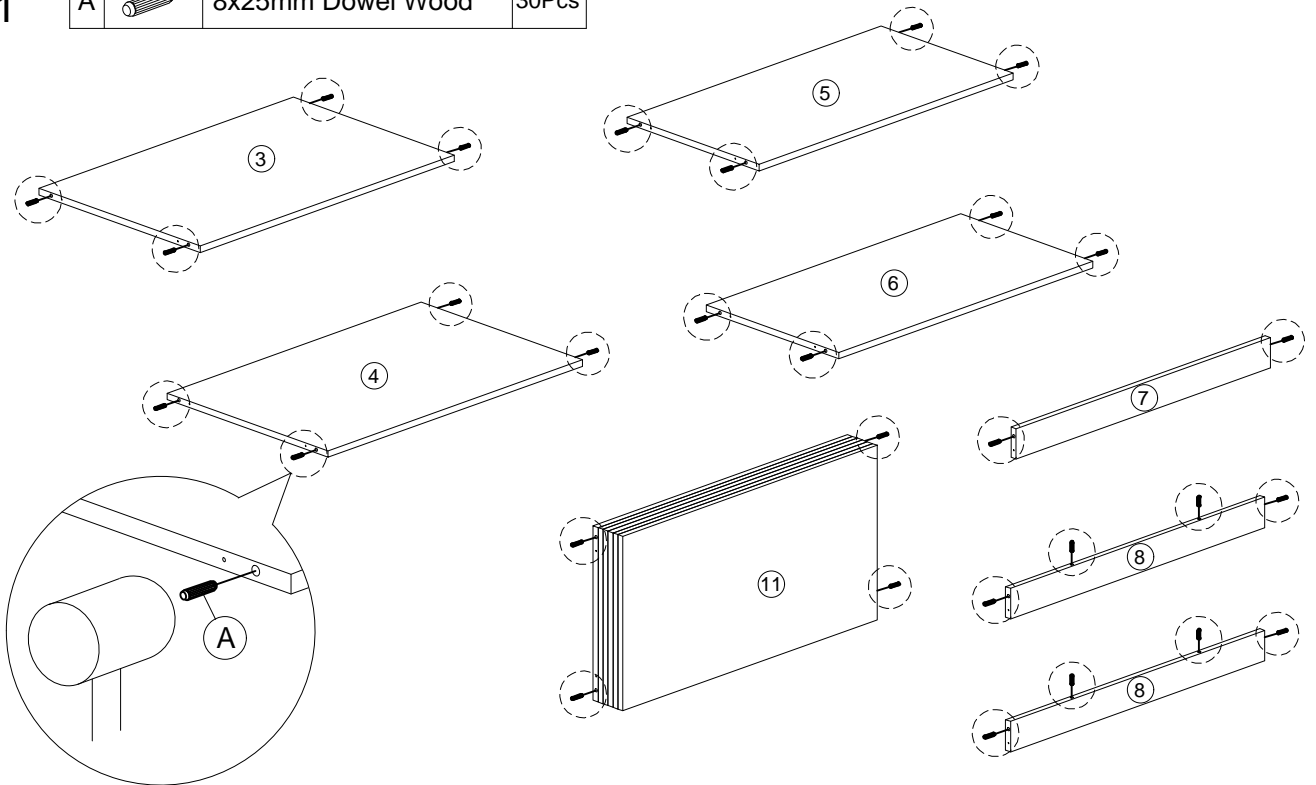
Anti Tipping Hardware (WF 325862)

No.	SHAPE	DESCRIPTION	Qty.
a		Mounting Bracket	2Pcs
b		TP 6# x 5/8" Screw	1Pc
c		TP 8# x 2" Screw	1Pc
d		Restraint Strap	1Pc

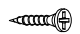

Assembly Instruction

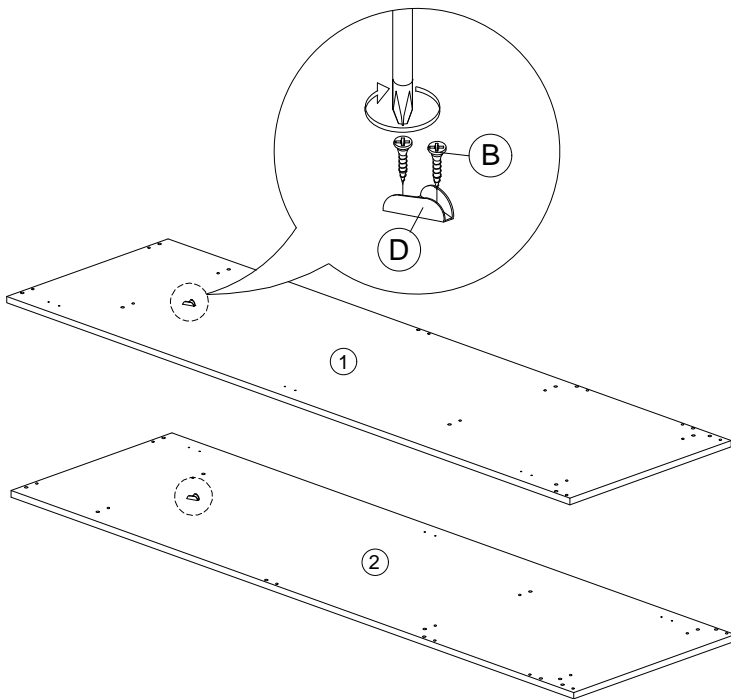
Step 1

A		8x25mm Dowel Wood	30Pcs
---	---	-------------------	-------

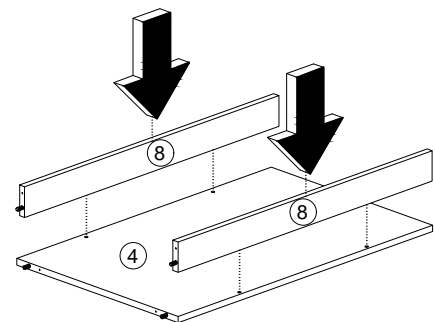


Step 2

B		M3.5x16mm Screw	4Pcs
D		V Bracket	2Pcs





Step 3

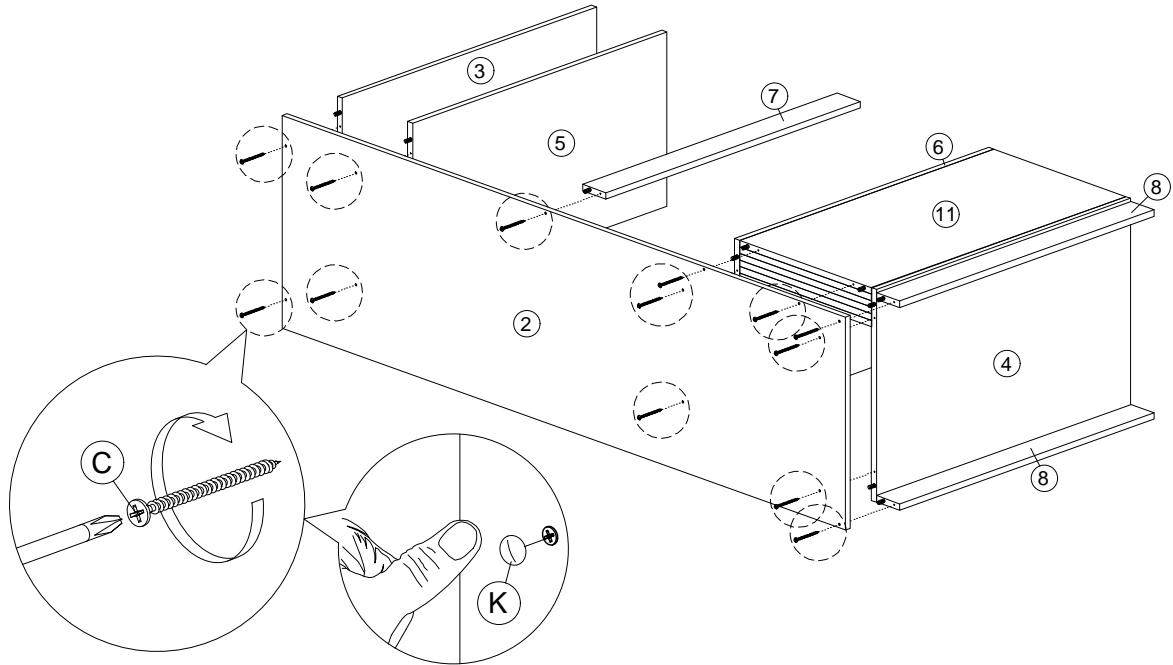


Assembly Instruction


Step 4

C		M4x45mm Screw	13Pcs
---	---	---------------	-------

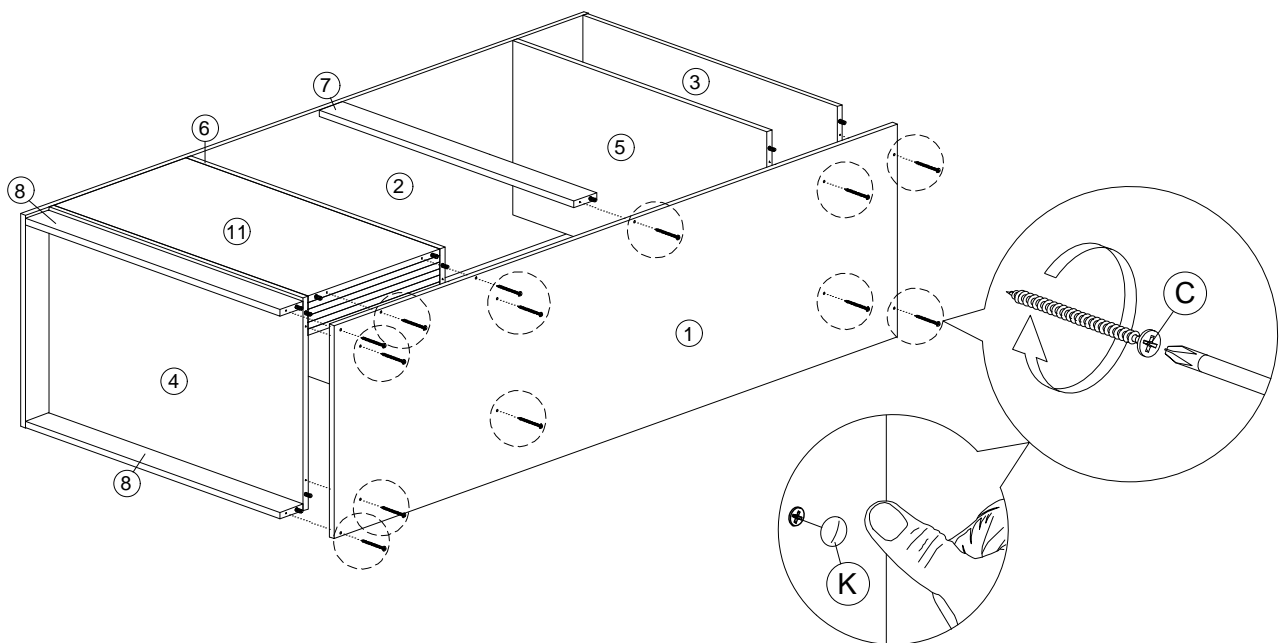
K		Sticker	13Pcs
---	---	---------	-------



Step 5

C		M4x45mm Screw	13Pcs
---	---	---------------	-------

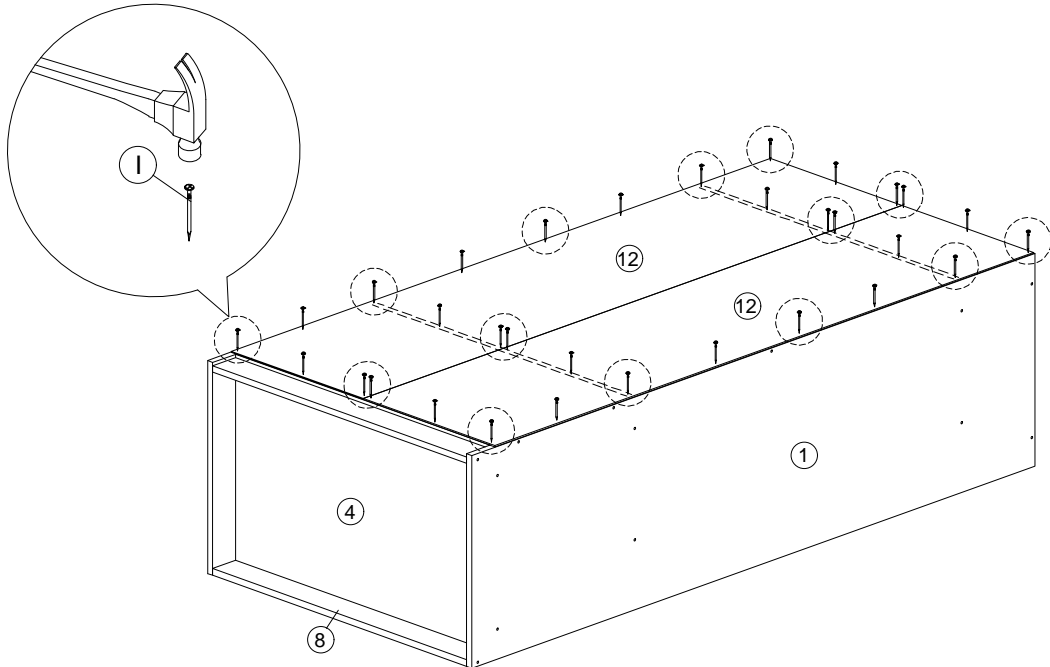
K		Sticker	13Pcs
---	---	---------	-------



Assembly Instruction

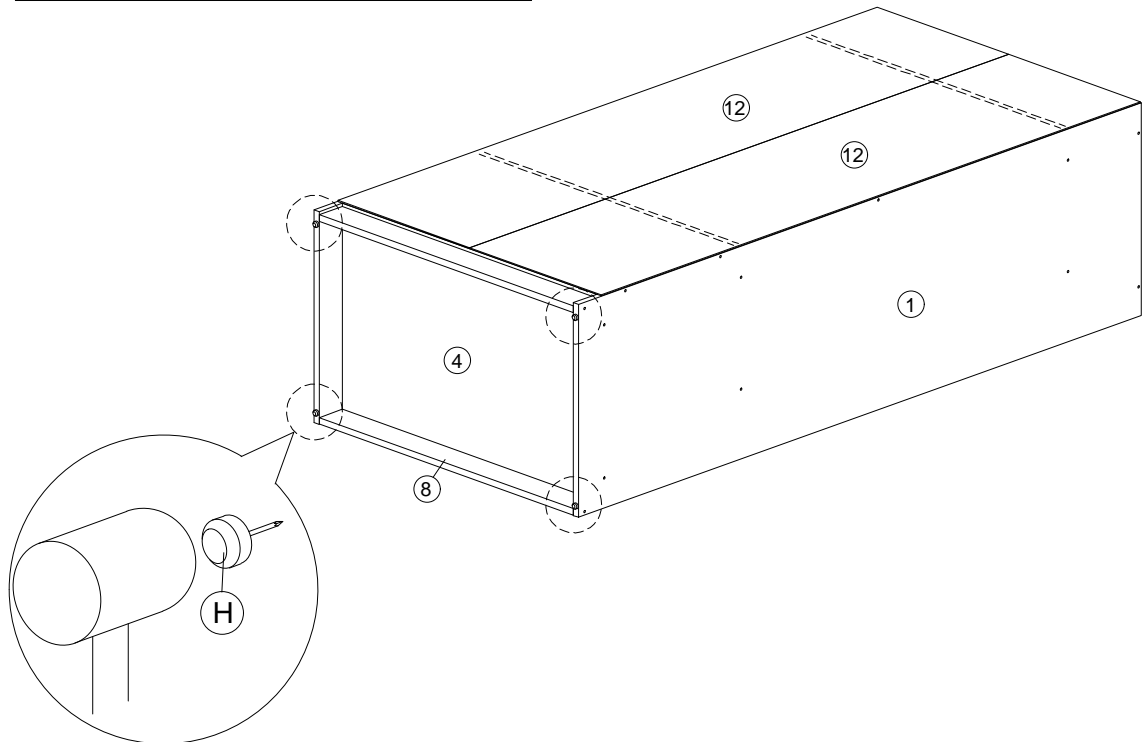
Step 6

I		6/8 Power Pin	40Pcs
---	---	---------------	-------




Step 7

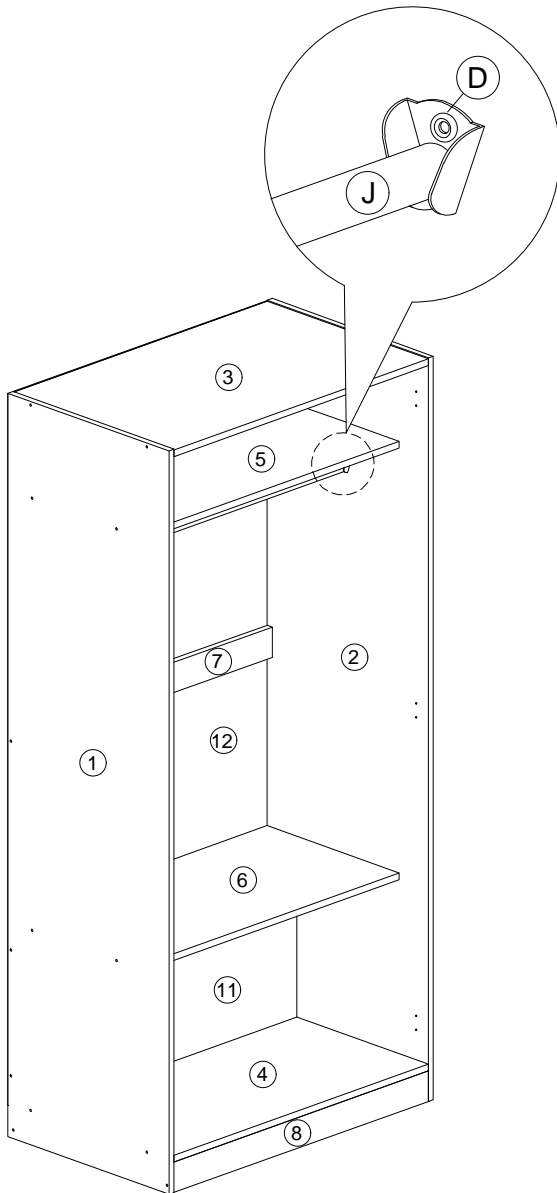
H		5/8 Nail With Pin	4Pcs
---	---	-------------------	------



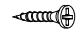

Assembly Instruction

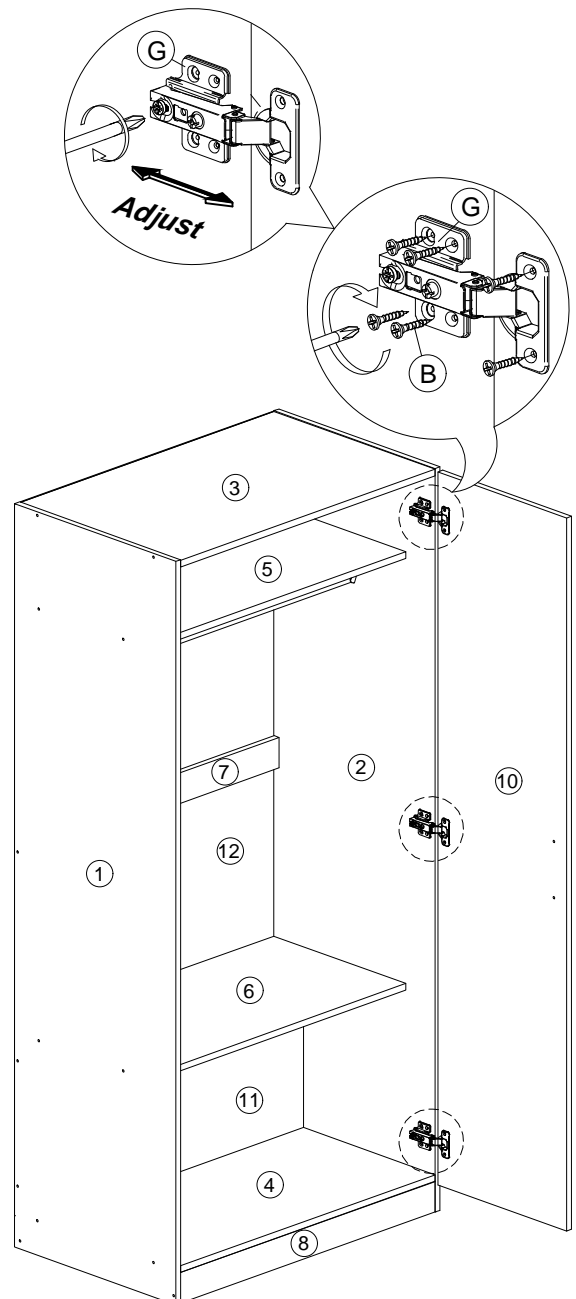
Step 8

J		Aluminium Pipe (763mm)	1Pc
---	---	------------------------	-----





Step 9

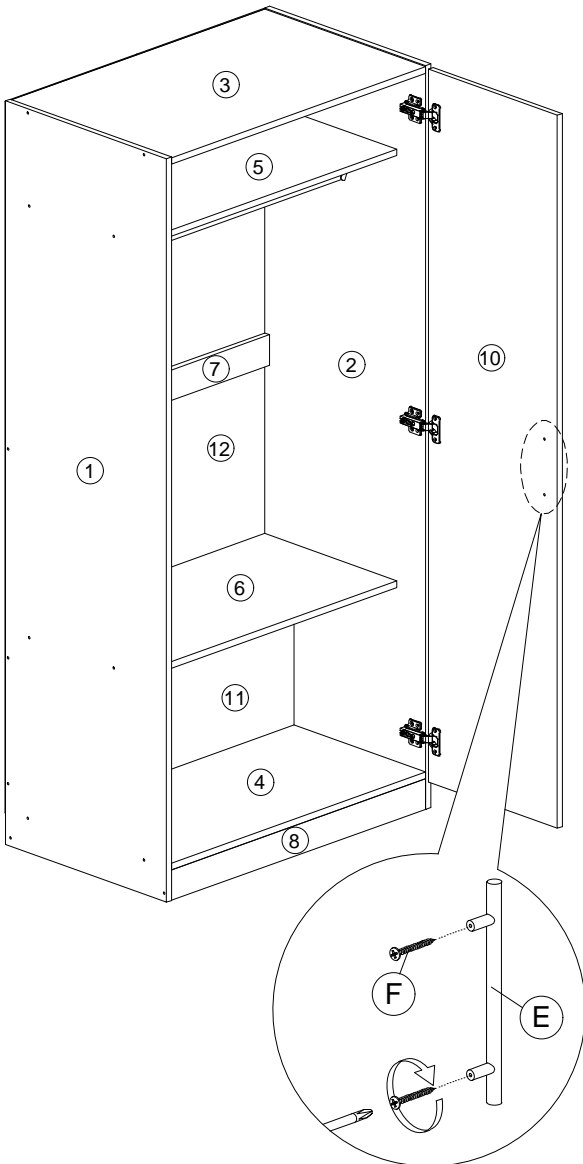
B		M3.5x16mm Screw	18Pcs
G		Hinges 2/8	3Pcs



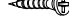

Assembly Instruction

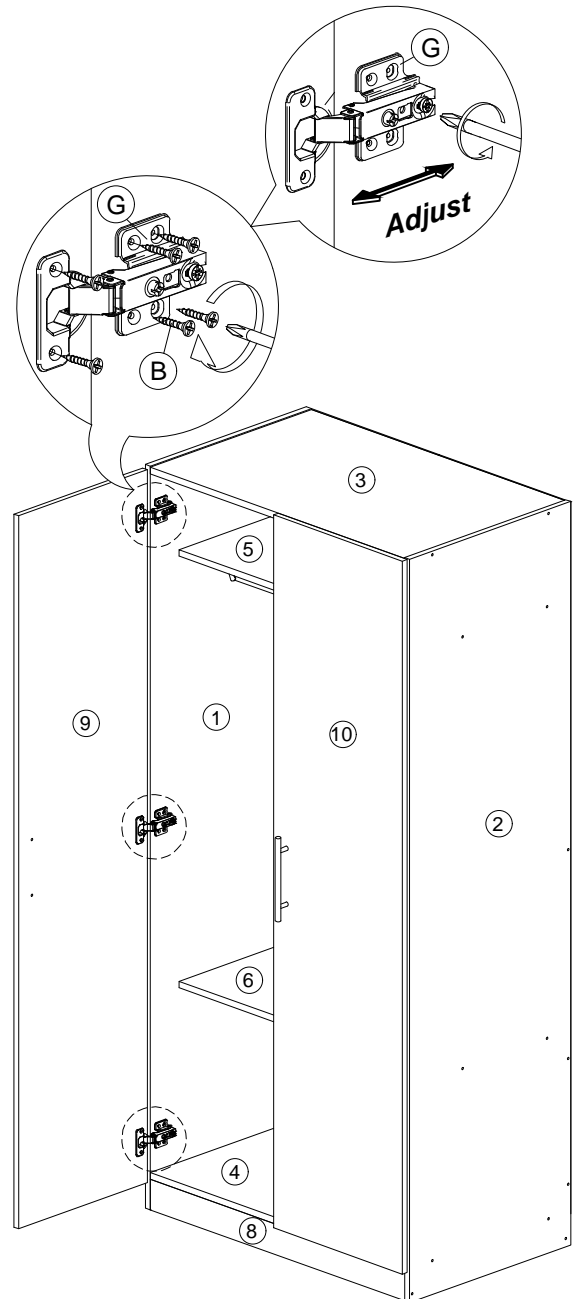
Step 10

E		Handle 12 x 128	1Pc
F		M4x28mm Screw	2Pcs



Step 11

B		M3.5x16mm Screw	18Pcs
G		Hinges 2/8	3Pcs



Assembly Instruction

Step 12

E



Handle 12 x 128

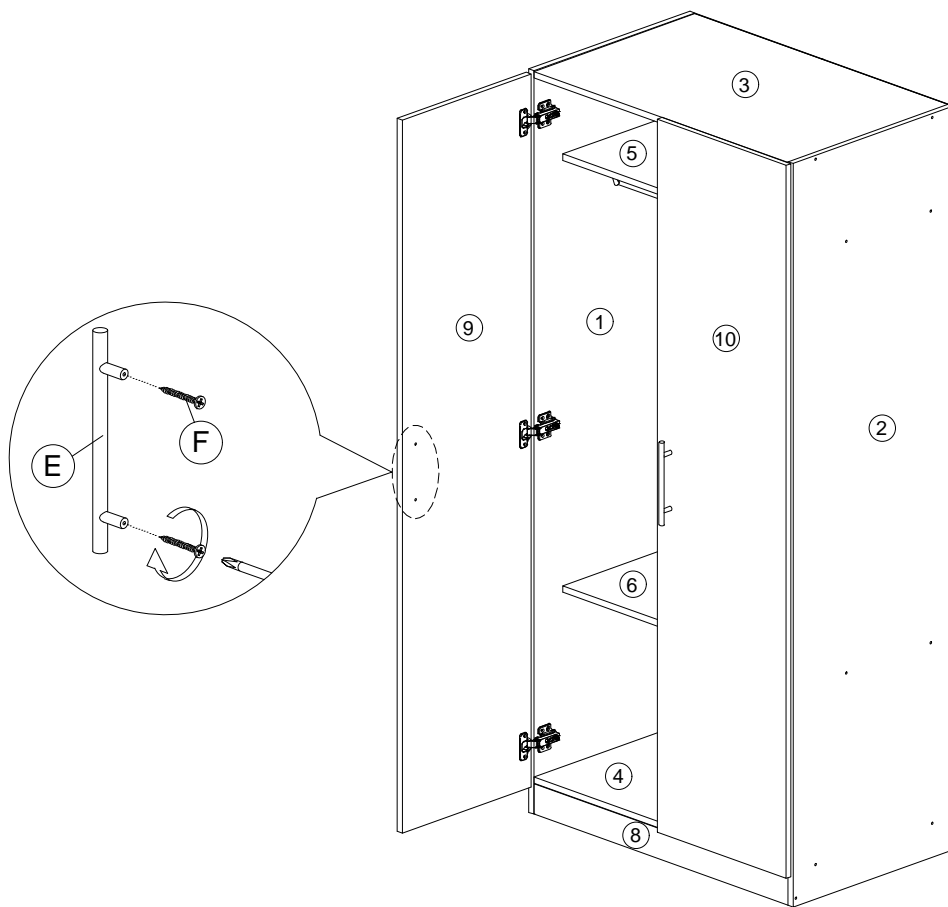
1Pc

F



M4x28mm Screw

2Pcs



FITTING OF ANTI-TIP SAFETY STRAP

STEP 1:

- Attach the mounting bracket (a) to the furniture in the solid part below the top panel a few inches away from the side of the unit.
- Screw (b) through the smallest hole of (a).

STEP 2:

- Locate a stud in behind the have to
- Place the other mounting bracket (a) on the wall stud 2 inches below the mounting bracket secured to the back of your unit.
- Attach to the wall stud using (c) through the smaller hole of (a).

STEP 3:

- Repeat the same step a few inches away from the other side of the unit.
- Place the furniture into position so both mounting brackets are vertically in line.
- Lace the end of the restraint strap through the larger holes in each mounting bracket.
- Secure the straps and lock into place.

