

# ASSEMBLY INSTRUCTION

## QUEEN CANOPY KIT

**A** UPPER POSTS  
FOR HB



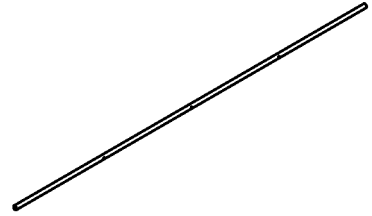
2pcs

**B** UPPER POSTS  
FOR FB



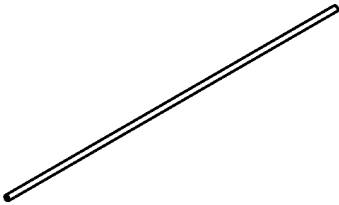
2pcs

**C** LONG CANOPY TUBES



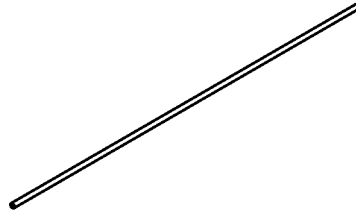
2pcs

**D** SHORT CANOPY TUBES



2pcs

**E** MIDDLE CANOPY TUBES



3pcs

**F** BOLT  
1/4",38MM



6pcs

**G** BOLT  
1/4",51MM



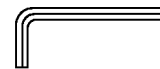
8pcs

**H** BOLT  
3/16",13MM

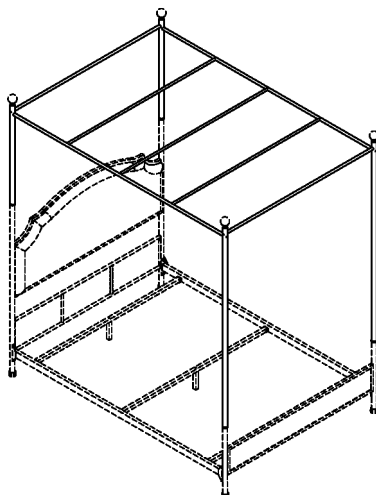


4pcs

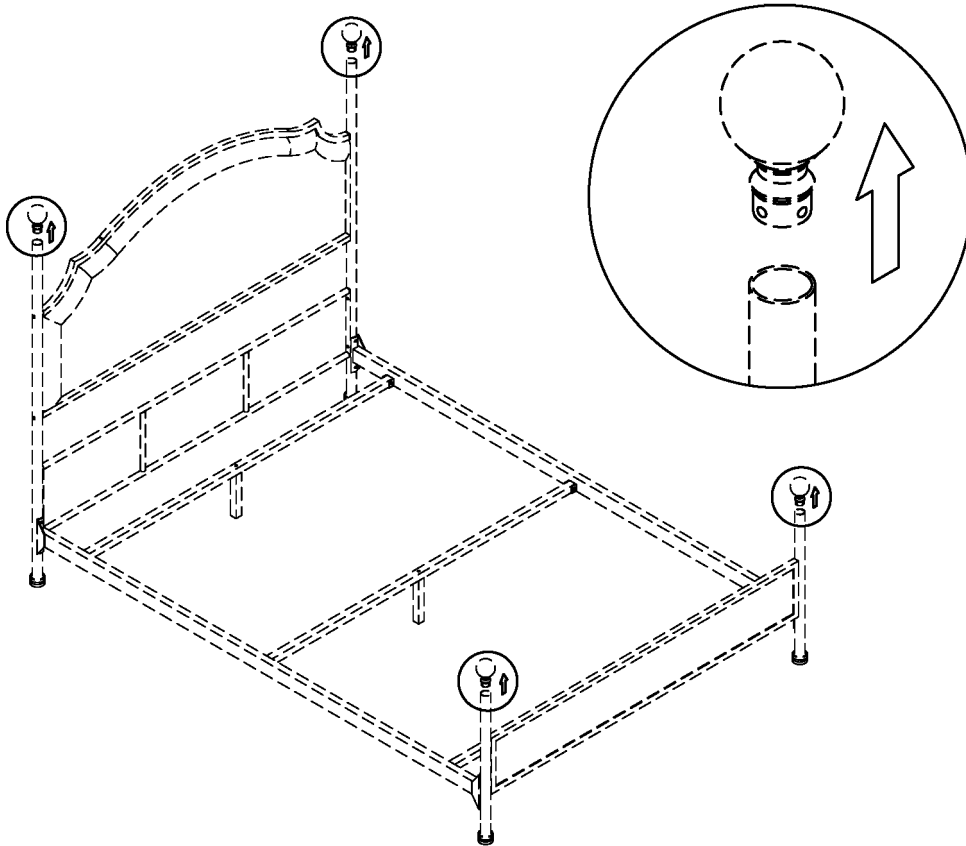
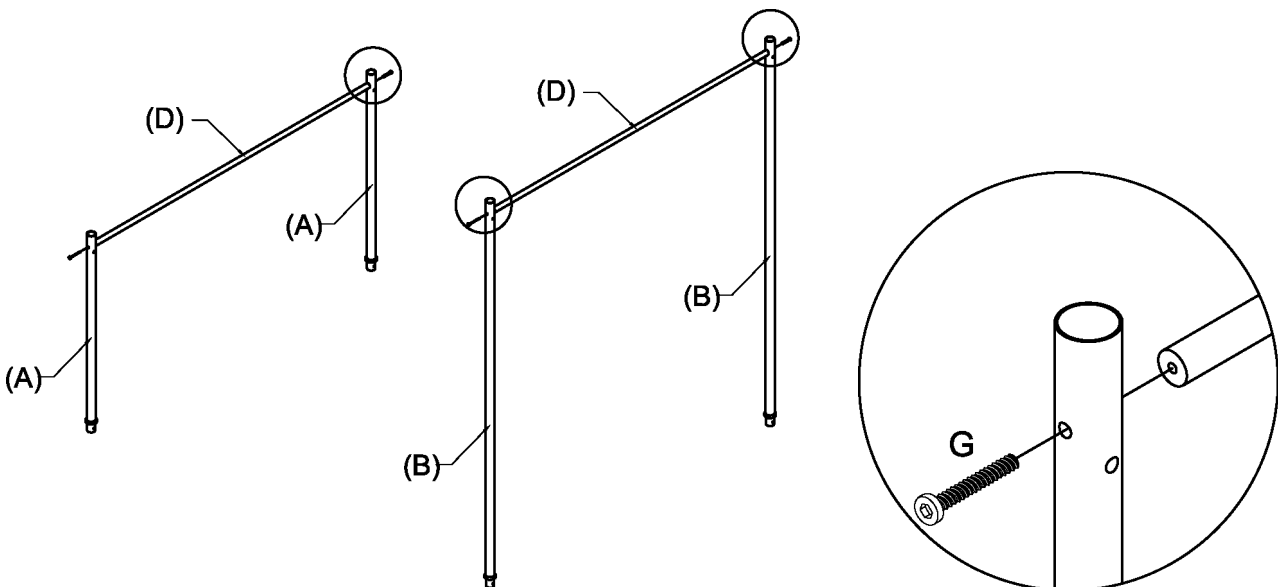
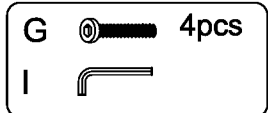
**I** ALLEN WRENCH  
4X4MM



1pc

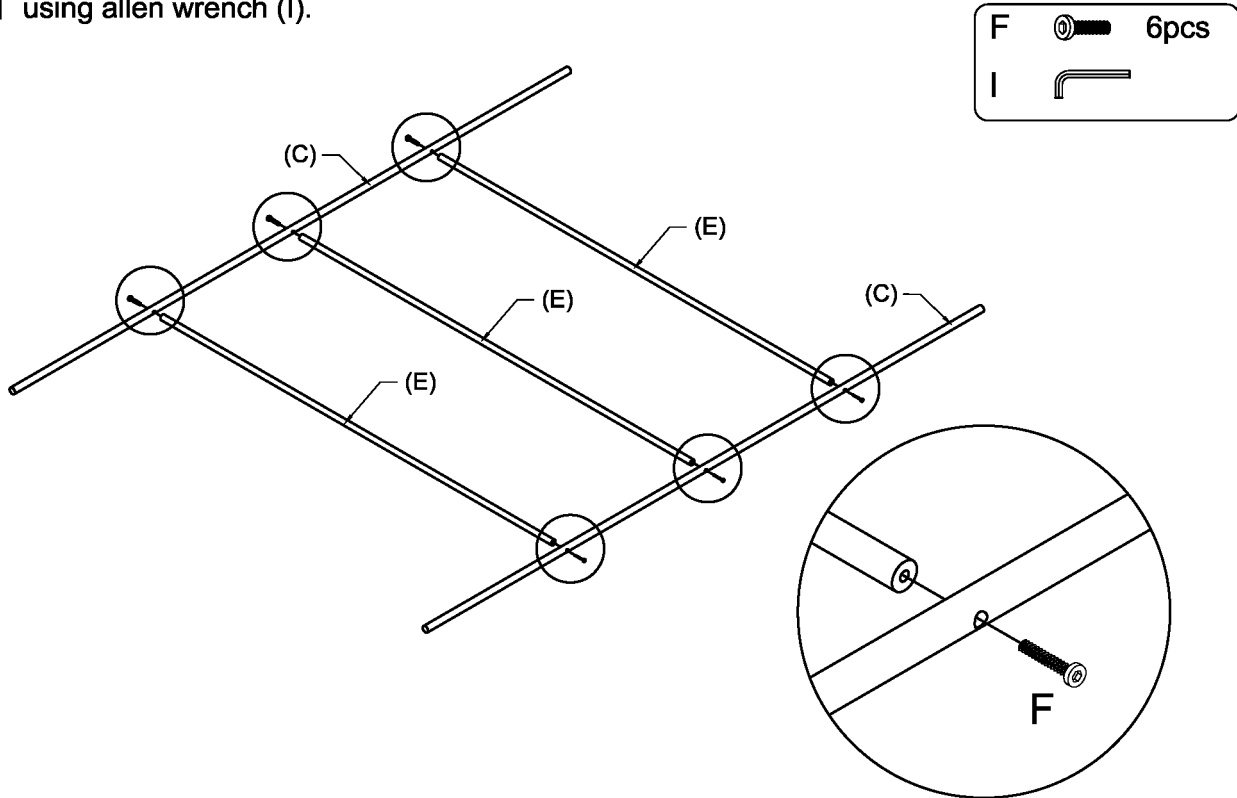


This page lists all the contents included in the box. Please take the time to identify the hardware as well as the individual components to this product. As you unpack and prepare for assembly, place the contents on a carpeted or padded area to protect them from damage.

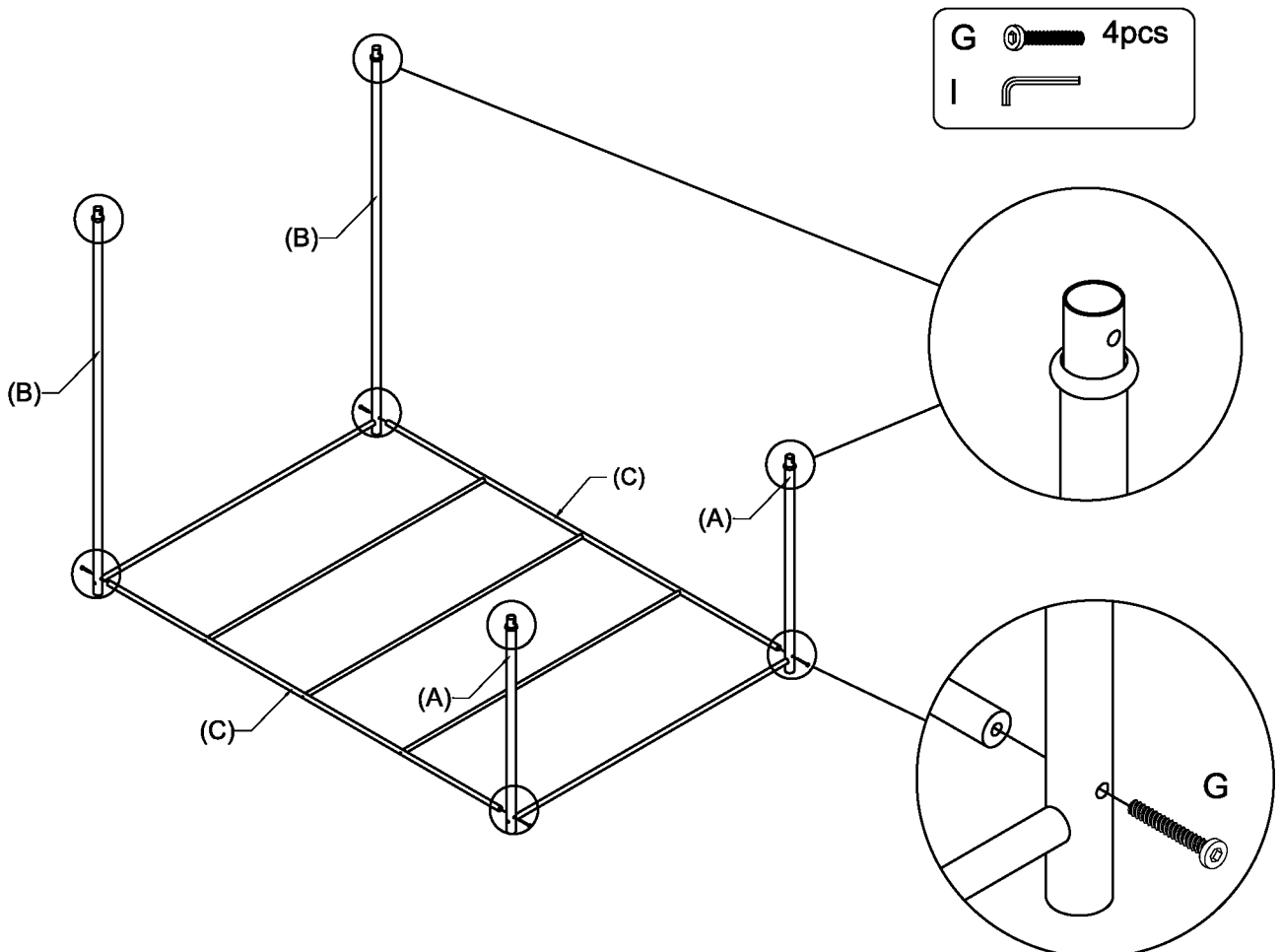
**1****Take off 4pcs finials.****2****Assemble short canopy tubes (D) to upper posts (A) (B) with 4pcs bolt (G) then fastened using allen wrench (I).**

**3**

Assemble the short canopy tubes (E) to long canopy tubes (C) with 6pcs bolt (F) then fastened using allen wrench (I).

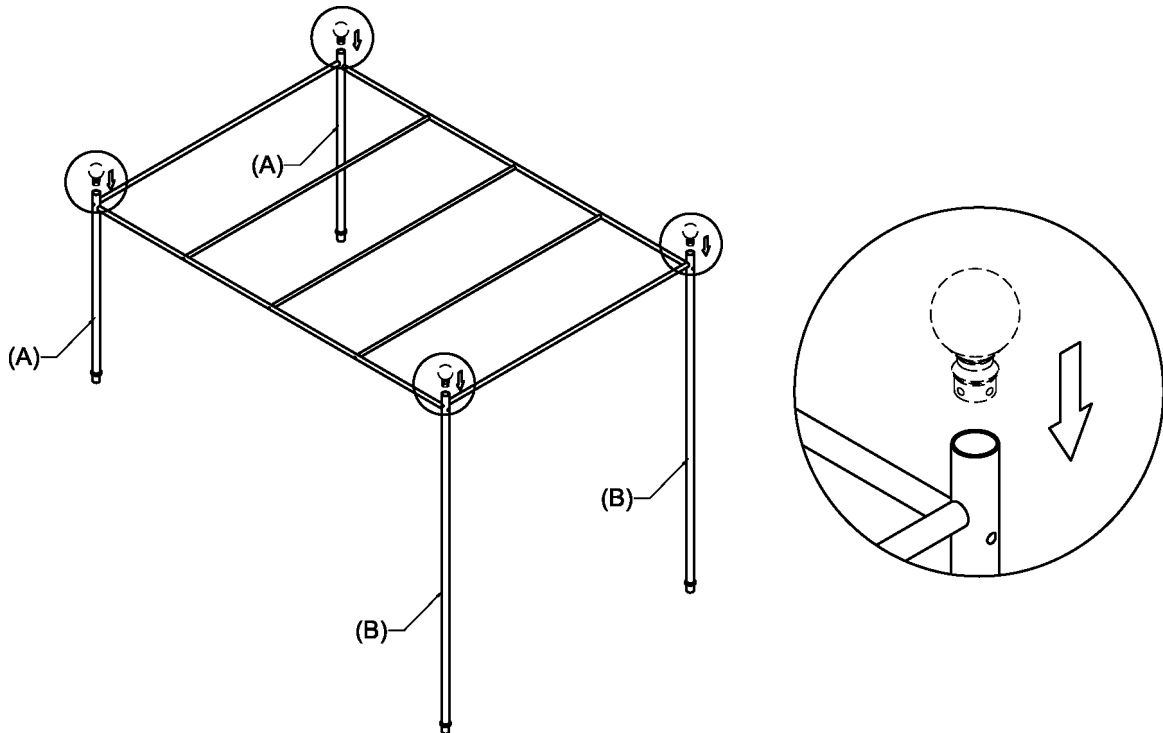
**4**

Assemble the long canopy tubes (C) to 4 upper posts (A) (B) with 4pcs bolt (G) then fastened using allen wrench (I).

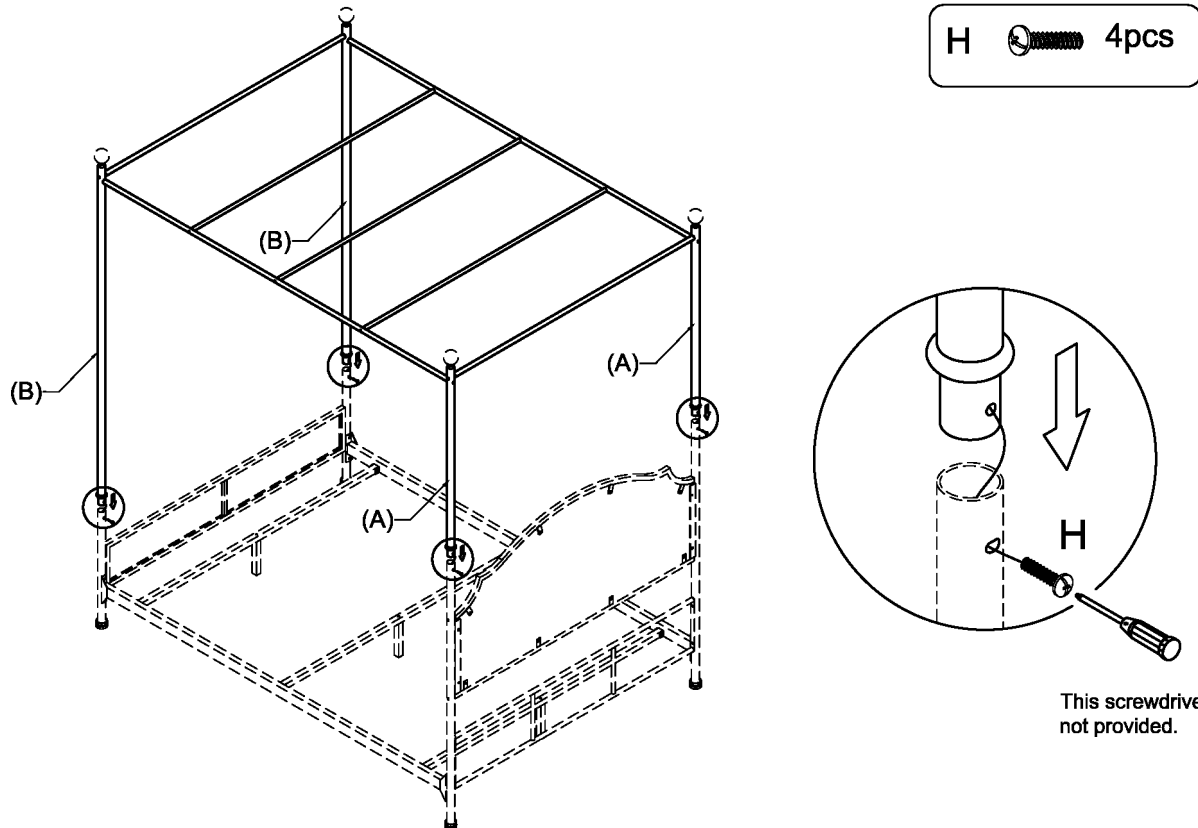


**5**

Assemble the finial to the upper posts (A) (B).

**6**

Assemble 2pcs upper posts (A) to headboard with 2pcs bolt (H) ,assemble 2pcs upper posts (B) to footboard with 2pcs bolt (H).

H  4pcs

This screwdriver is not provided.

**Cleaning & Care**

Treat surface with care. Surface is resistant to scratches but is not scratch resistant. Clean surfaces with a dry or damp soft cloth. Do not use abrasive cleaners. Hardware may loosen over time. Periodically check that all connections are tight.