

### Features

- Handshower features contemporary design.
- Three spray functions with ADA non-positive shut off.
- ADA compliant.
- Thumb tab allows for a smooth transition between sprays.
- MasterClean™ sprayface is easy to clean.
- 24-inch slidebar features adjustable mounting brackets for installation flexibility.
- Includes 60-inch smooth hose.

### Water Conservation & Rebates

- WaterSense®-labeled 2.0-gpm handshowers use up to 20 percent less water than standard 2.5-gpm handshowers, while still meeting strict performance guidelines.
- This product can help a building earn Water Efficiency points in the LEED® Green Building Rating System.

### Recommended Products/Accessories

- K-30646 shower filter
- K-30647 Shower Filter Replacement

### Optional Products/Accessories

- K-98350 wall-mount supply elbow
- K-98351 wall-mount supply elbow with check valve



ADA	CSA B651	OBC
-----	----------	-----

### Codes/Standards

ASME A112.18.1/CSA B125.1  
 ASSE 1014  
 DOE - Energy Policy Act 1992  
 EPA WaterSense®  
 ADA  
 ICC/ANSI A117.1  
 CSA B651  
 OBC

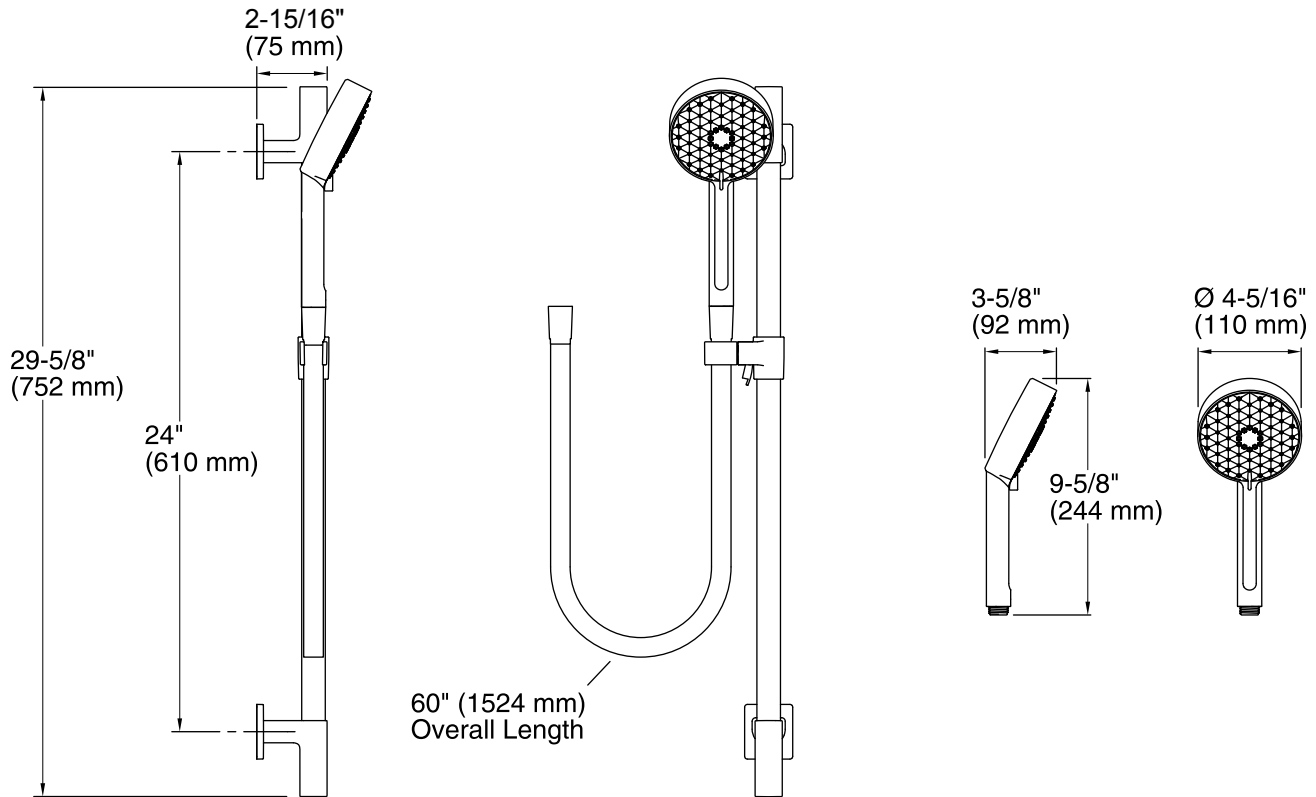
### KOHLER® Faucet Lifetime Limited Warranty

See website for detailed warranty information.

### Available Colors/Finishes

*Color tiles intended for reference only.*

Color	Code	Description
	CP	Polished Chrome
	BN	Vibrant® Brushed Nickel
	2BZ	Oil-Rubbed Bronze



**Technical Information**

All product dimensions are nominal.

**Handshower:**

Rated maximum flow: 2 gal/min (7.6 l/min)

**Notes**

Install this product according to the installation guide.

Plumbing codes require approved backflow prevention devices to be installed in-line to handshowers. Please consult with local plumbing officials.

ADA, OBC, CSA B651 compliant when installed to the specific requirements of these regulations.