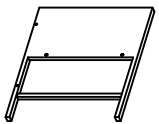
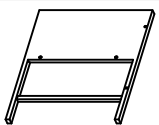
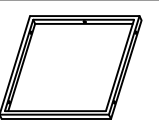
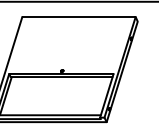
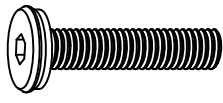
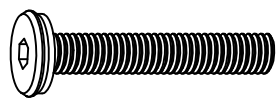
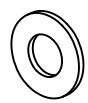

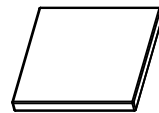
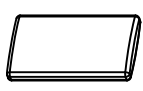


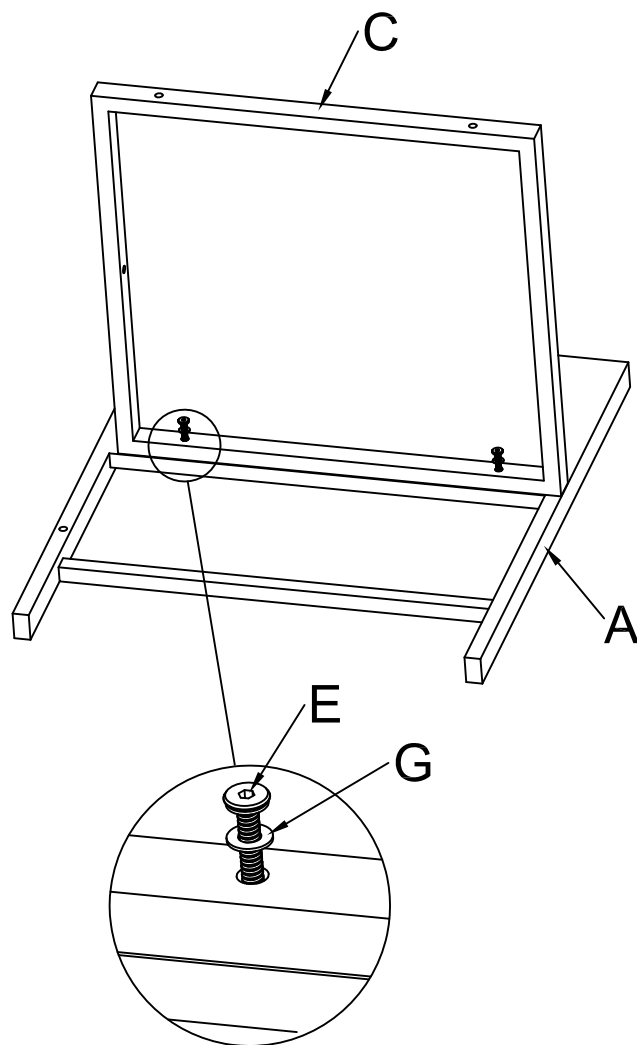
ASSEMBLING INSTRUCTION

A		1pc
B		1pc
C		1pc
D		1pc
E	 M6*35	5pcs

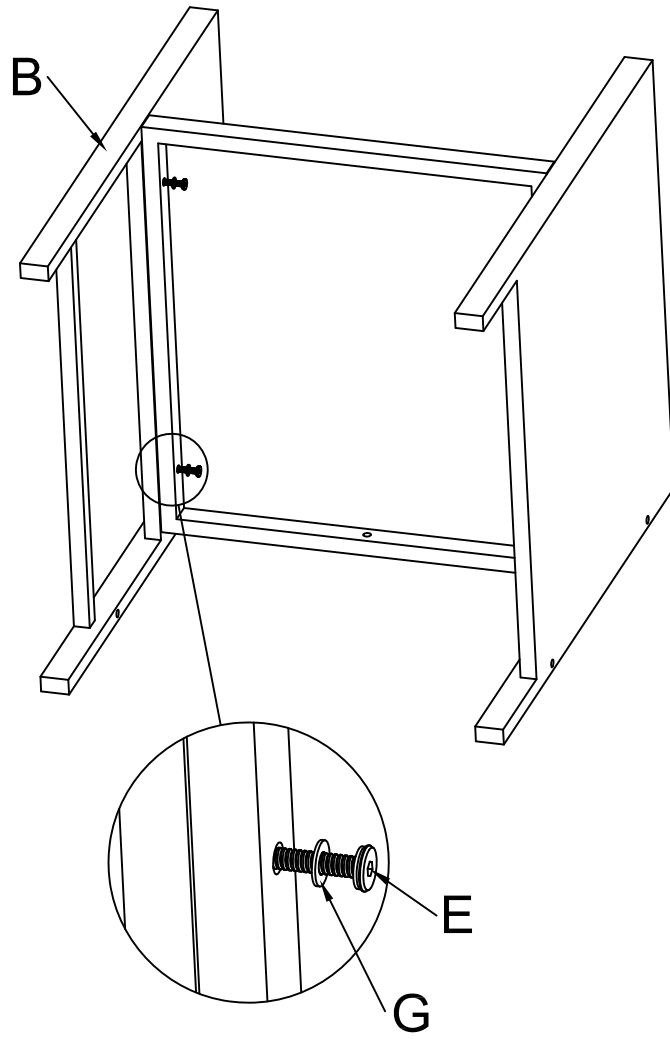
F	 M6*50	4pcs
G	 M6	9pcs
H		1pc
I		1pc
J		1pc

Note: first screw all bolts in by hand, before tightening.

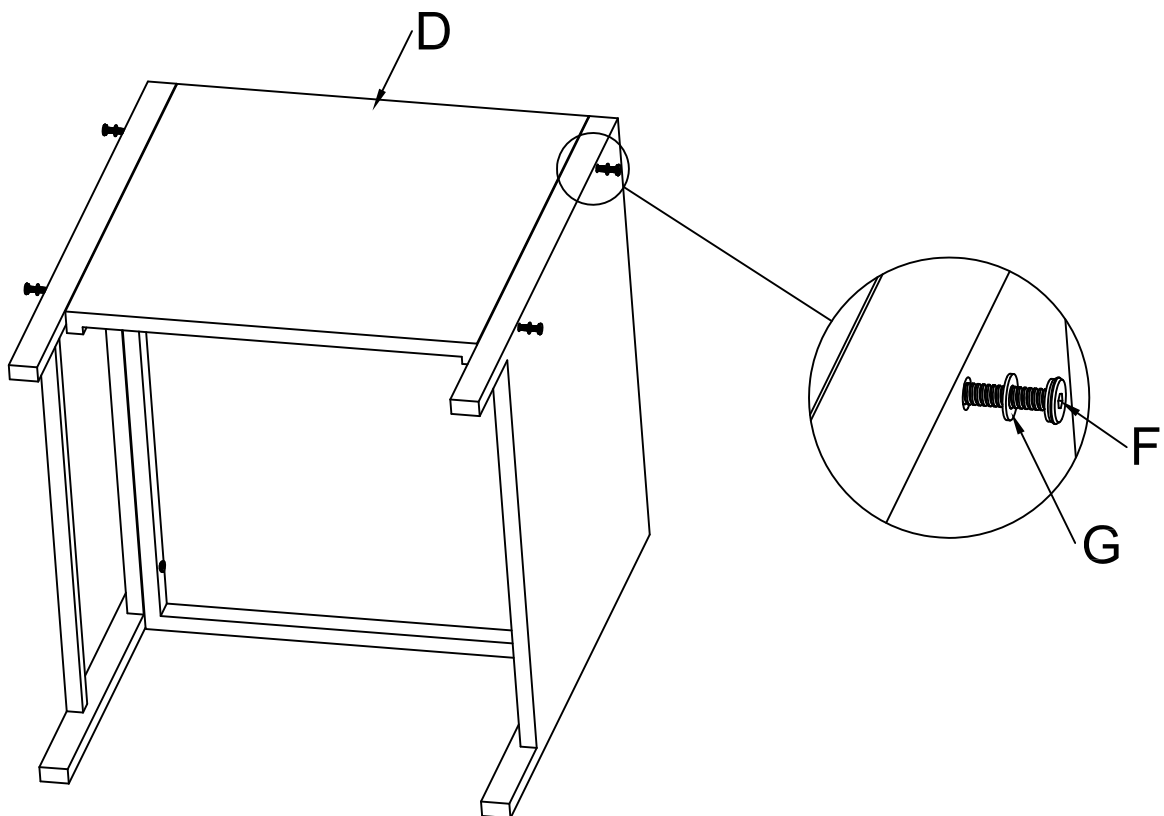
①



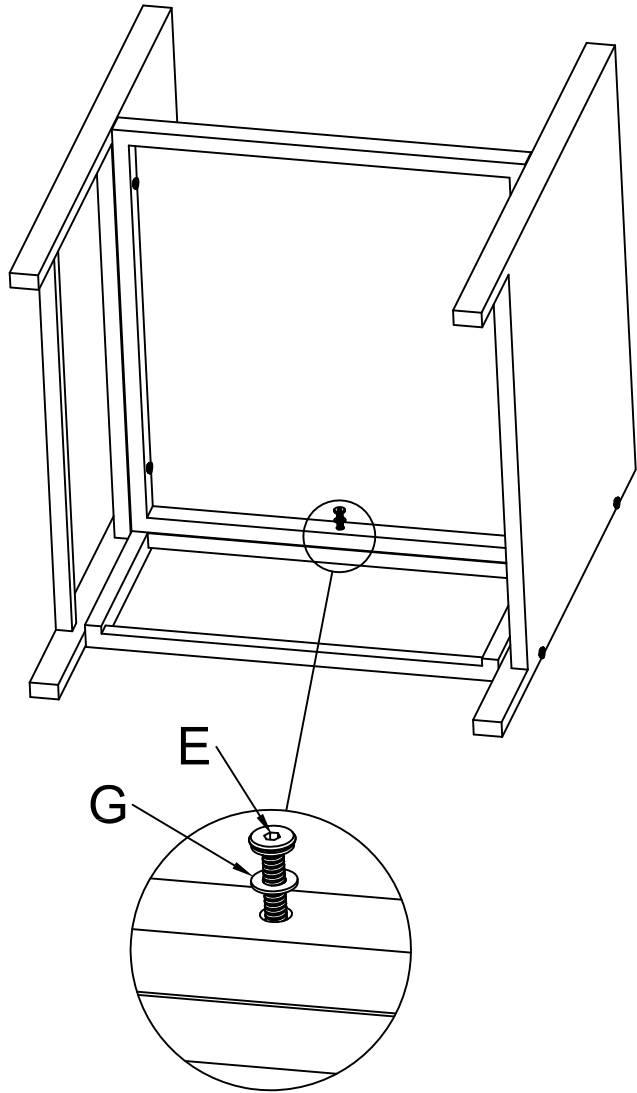
2



3



5



6

