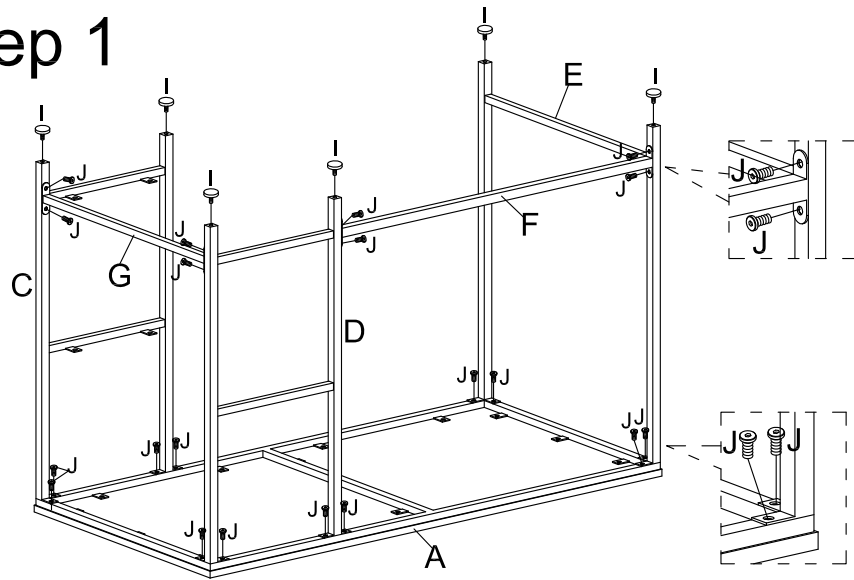
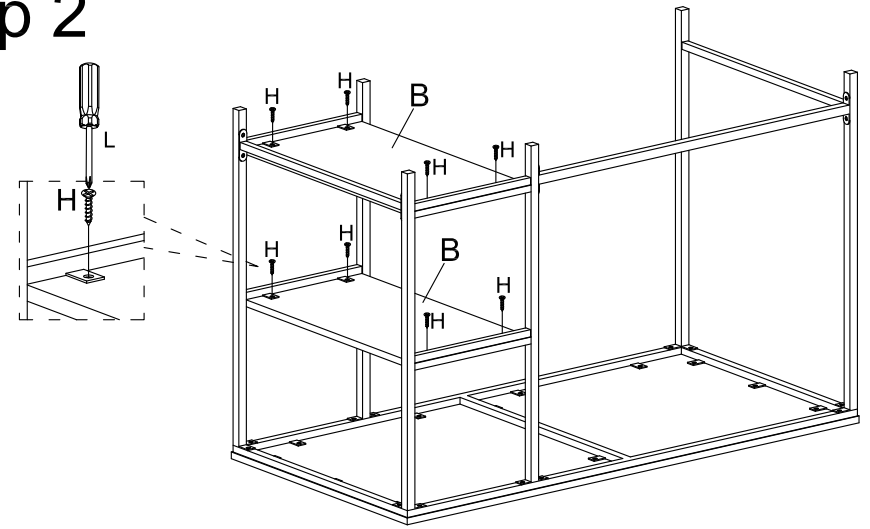


ASSEMBLY INSTRUCTIONS

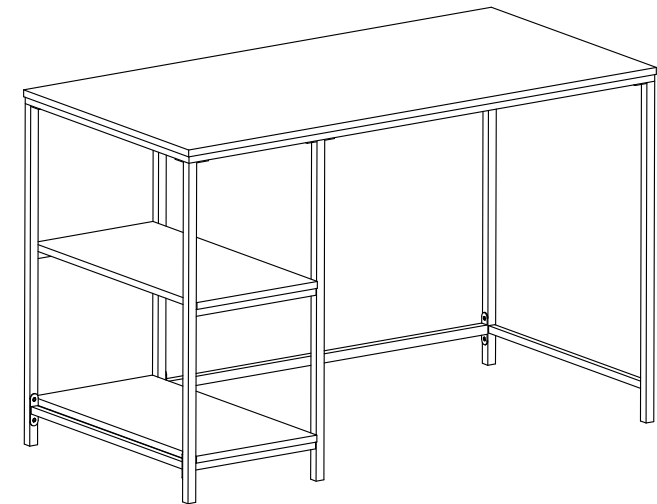
Step 1

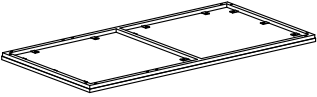
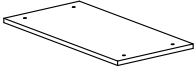
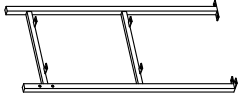
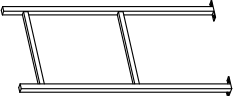
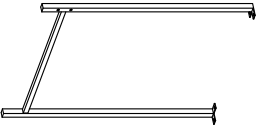


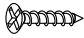



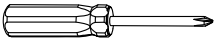


Step 2



Step 3



		
A×1PC	B×2PCS	C×1PC
		
D×1PC	E×1PC	F×1PC
		
G×1PC	H×8PCS	I×8PCS
		
J×18PCS	K×1PC	L×1PC