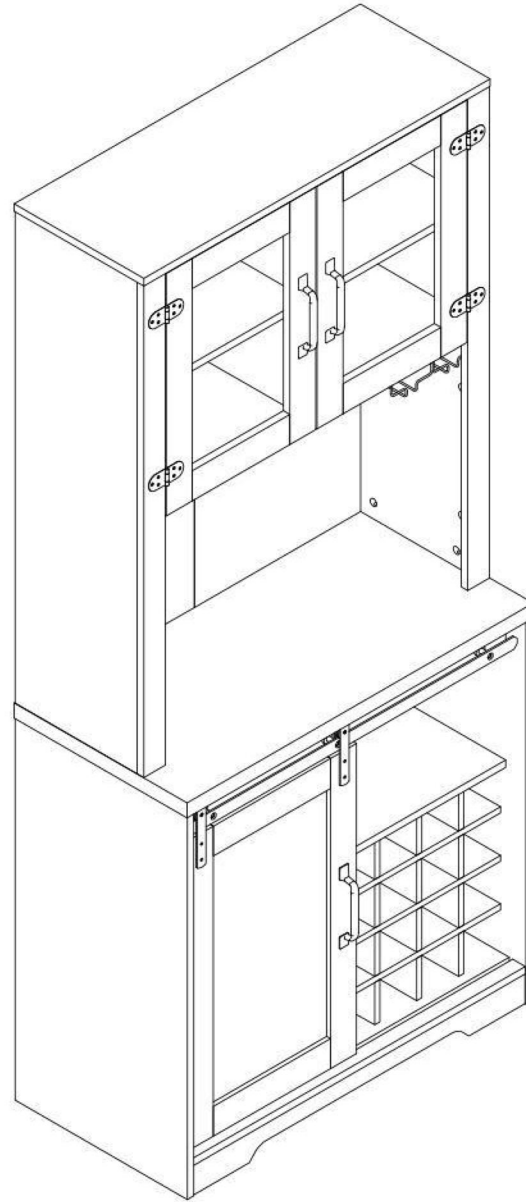
















User Manual

ASSEMBLY INSTRUCTION










Parts List








NO.	Drawing	Dimension	QTY
1		985*283*15mm	1
2		985*283*15mm	1
3		768*283*15mm	1
4		470*283*15mm	1
5		375*260*15mm	2
6		800*300*15mm	1
7		500*384*15mm	2

NO.	Drawing	Dimension	QTY
8		480*386*4mm	2
9		800*400*30mm	1
10		985*50*15mm	1
11		985*50*15mm	1
12		485*346*15mm	1
13		485*346*15mm	1
14		220*200*65mm	1

NOTE: Panel 9 is in the package of CD-068B.

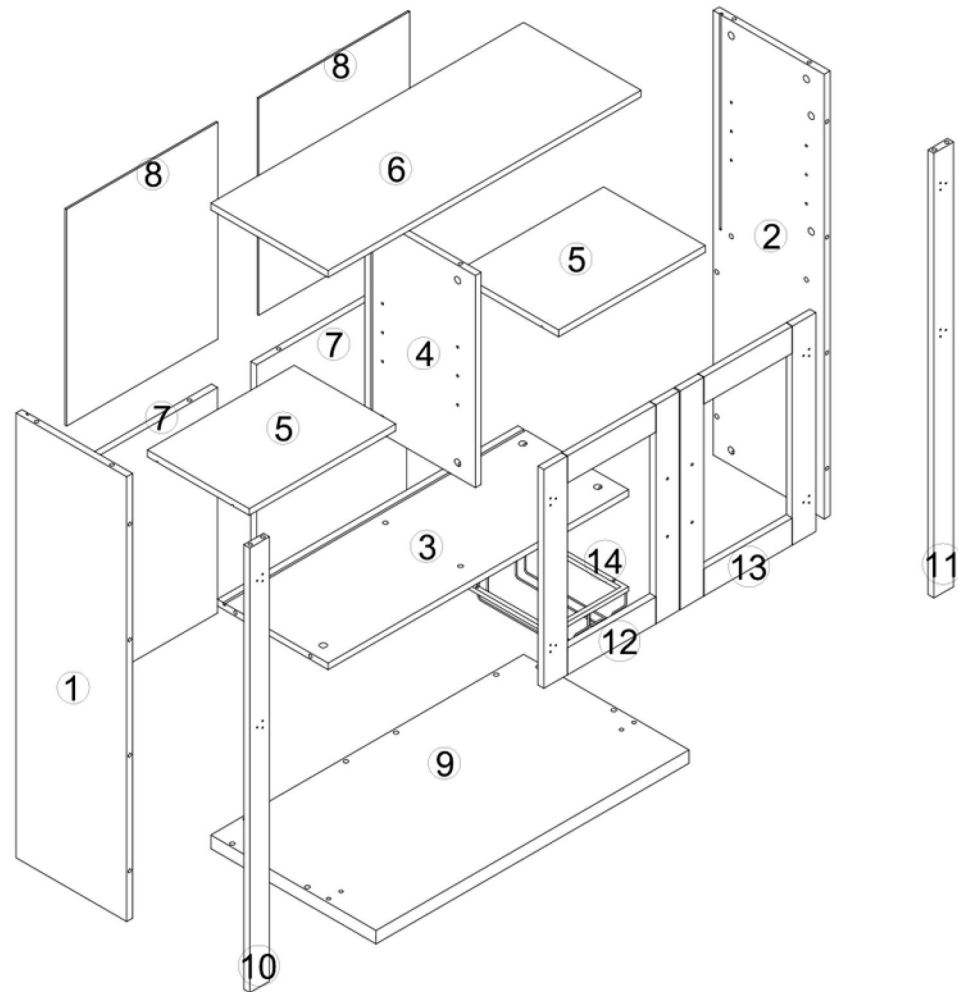
Hardware Fitting

NO.	Drawing	QTY
A		36
B		36
C	 8*40mm	10
D		16
E	 3.0*14mm	16
F		2
G	 3.5*14mm	16

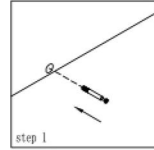
NO.	Drawing	QTY
H		4
I		24
J		2
K	 4*18mm	4
L		8
M	 3.5*35mm 3.5*14mm	2
N		1



Split Graph

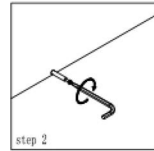


Cam Coupling Using Methods



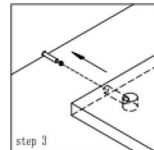
Step1.

Connect the cam coupling A as directed in the assembly instructions using hand.



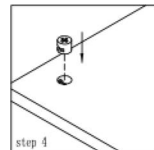
Step2.

Screw the cam coupling A as directed in the assembly instructions.



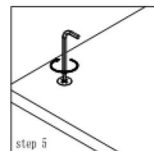
Step3.

Push the cam coupling A into the entry hole.



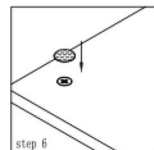
Step4.

Insert the cam coupling B as shown in the instructions.



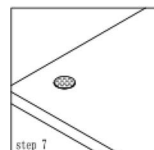
Step5.

Turn the cam coupling B clockwise with a screwdriver



Step6.

Put on Beautycam.

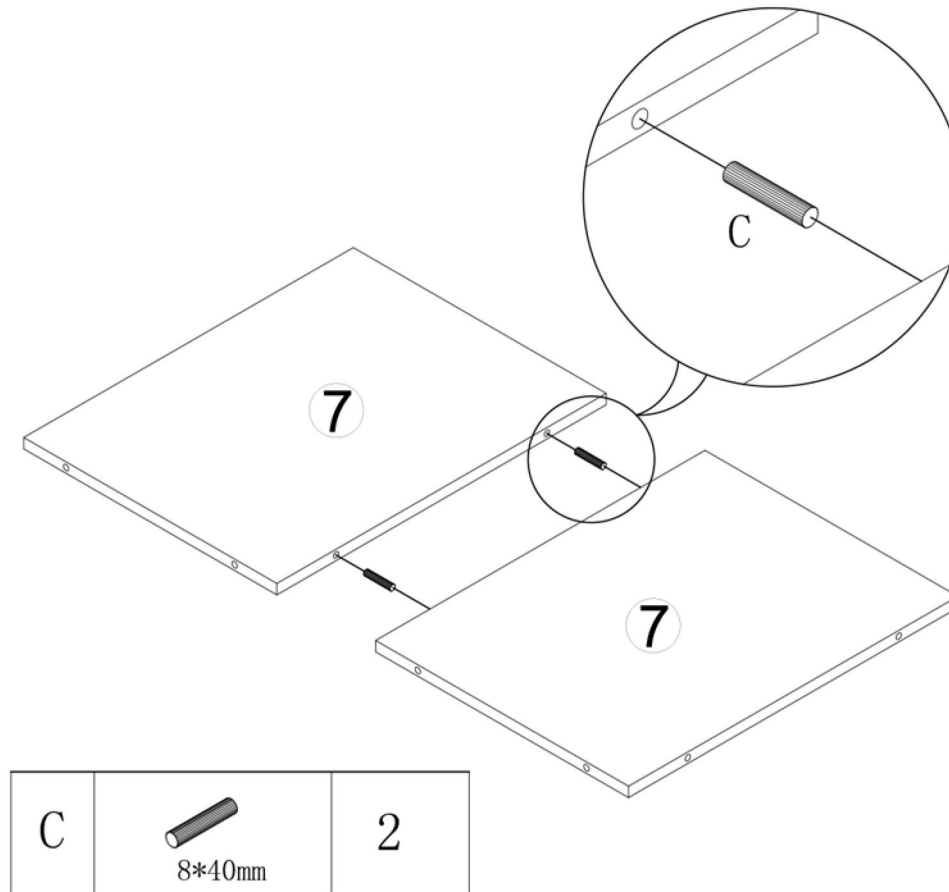


Step7.

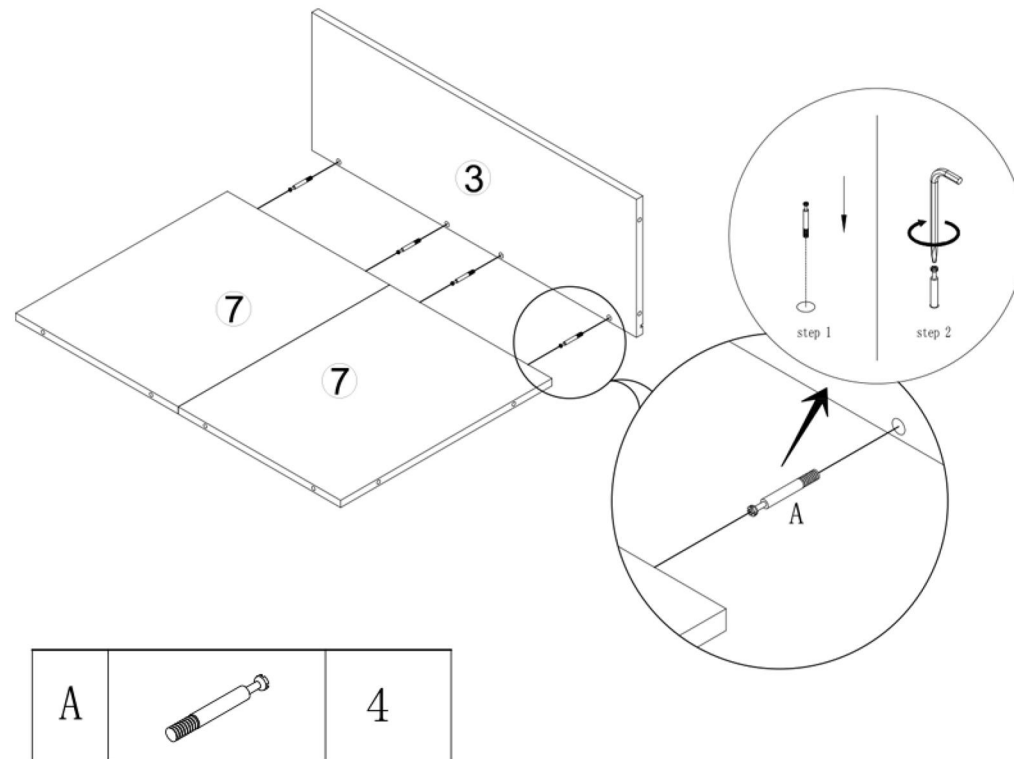
Finished.

You should feel a click when the camlock is locked in place.
The joint is now secure.

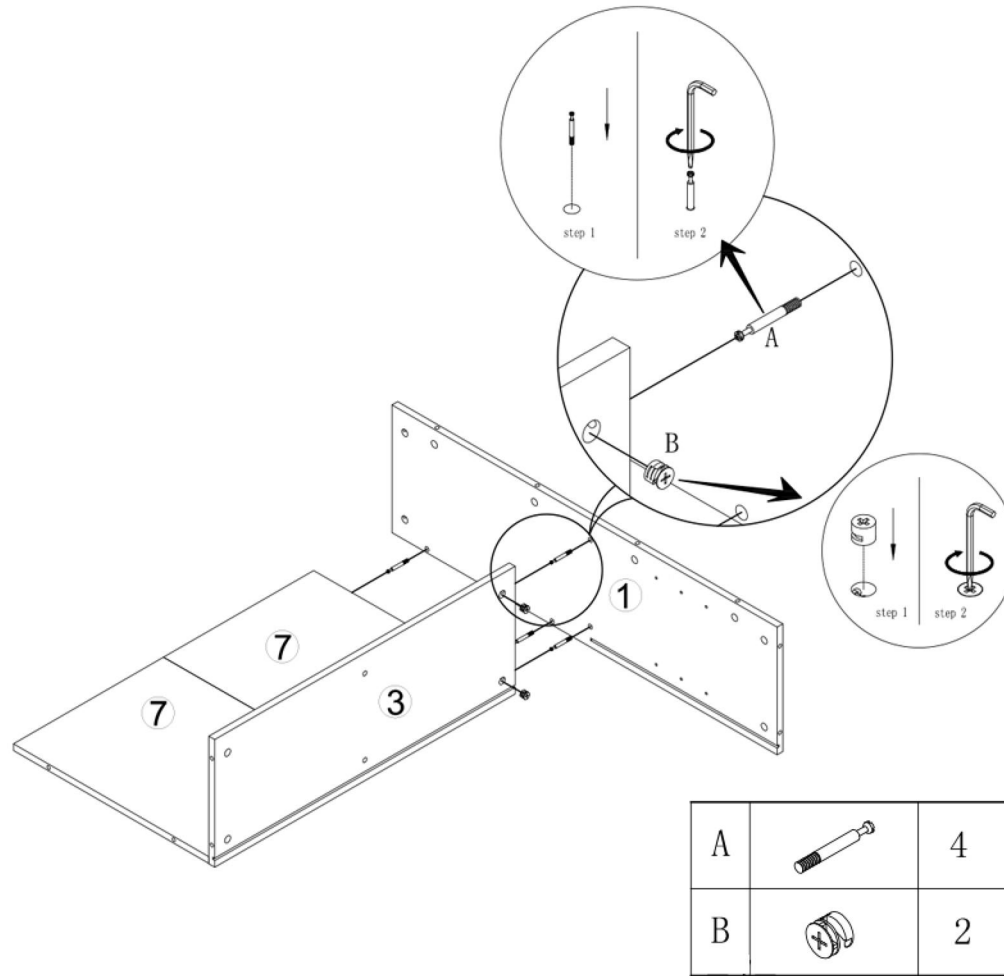
Note: Cam Coupling Using Method,
Please refer to Page 4.



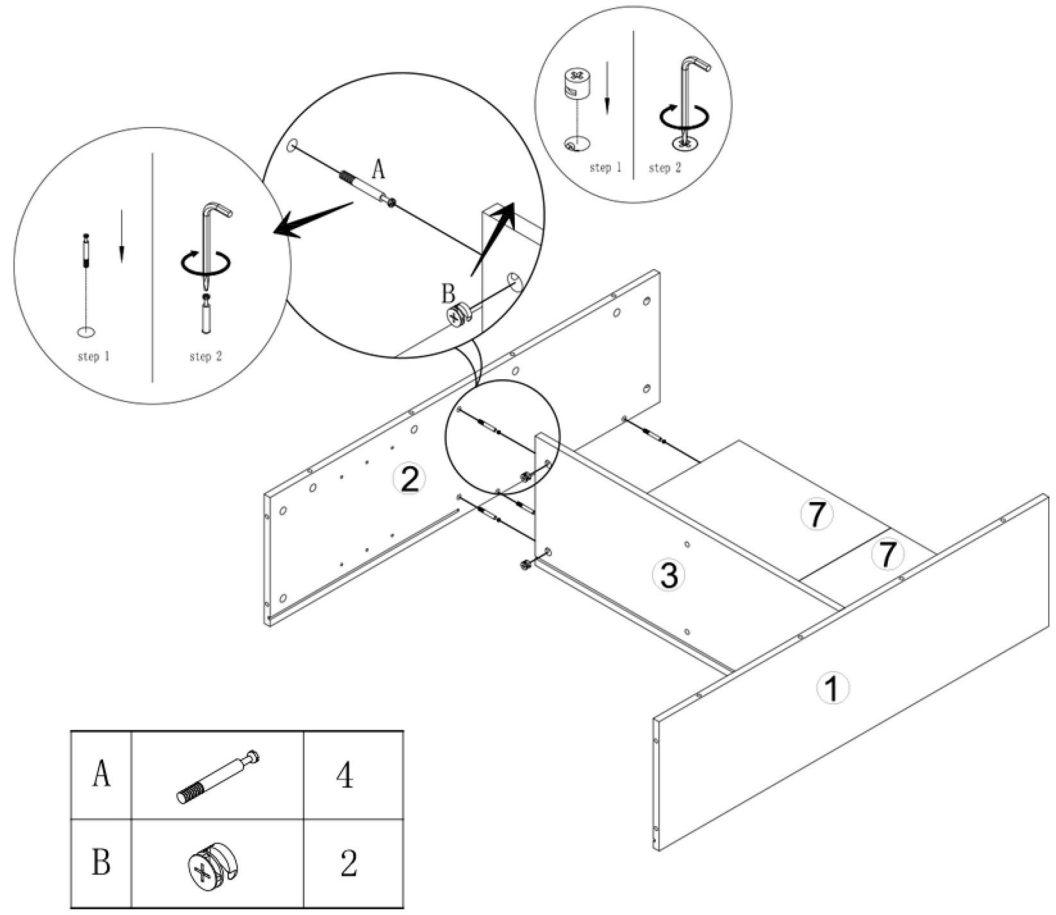
Step 1.
Connect 2PCS Panel 7 with C.



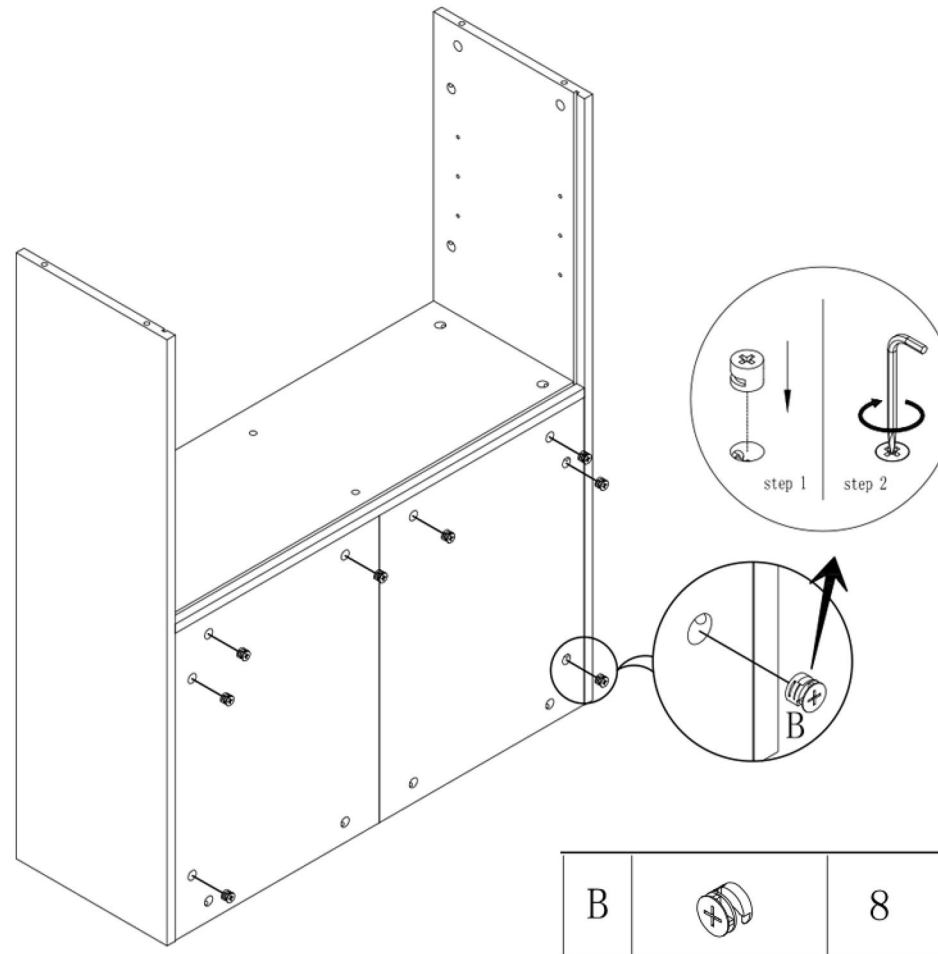
Step 2.
Connect Panel 3 to Panel 7 with Cam Coupling A.



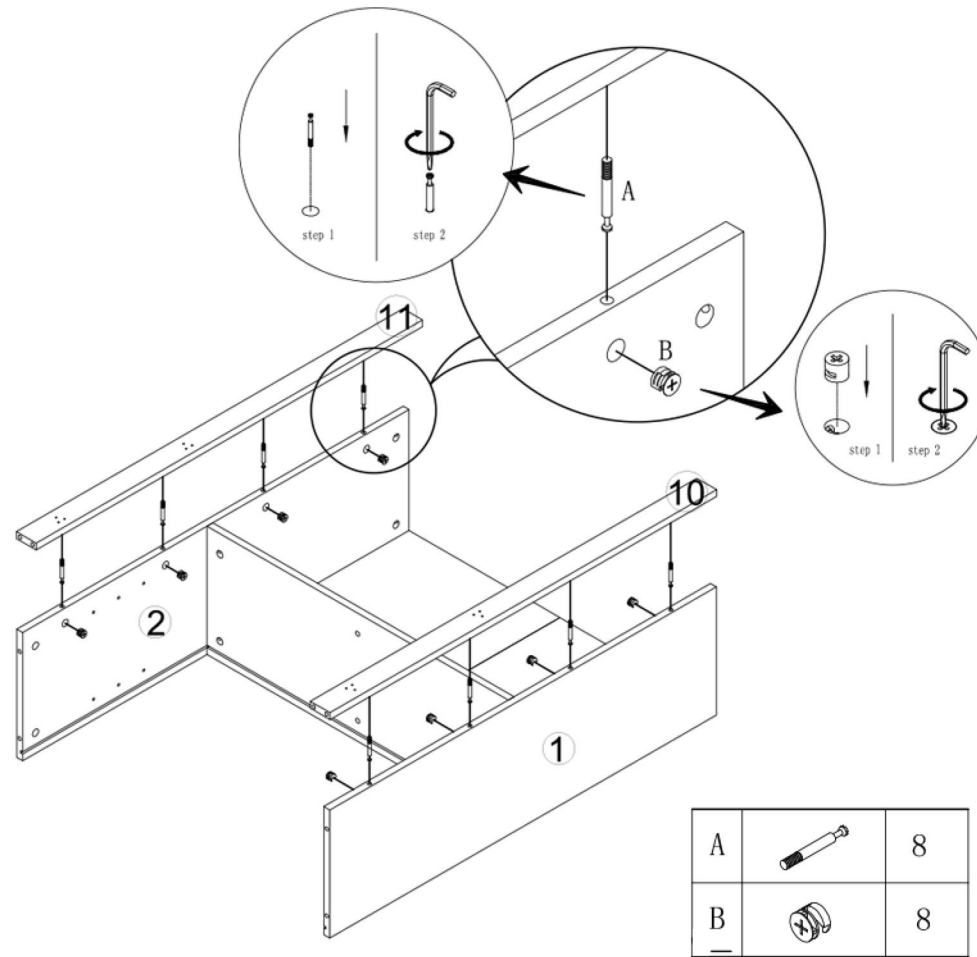
Step 3.
Connect Panel 1 to Panel 3,7 with Cam Coupling A&B.



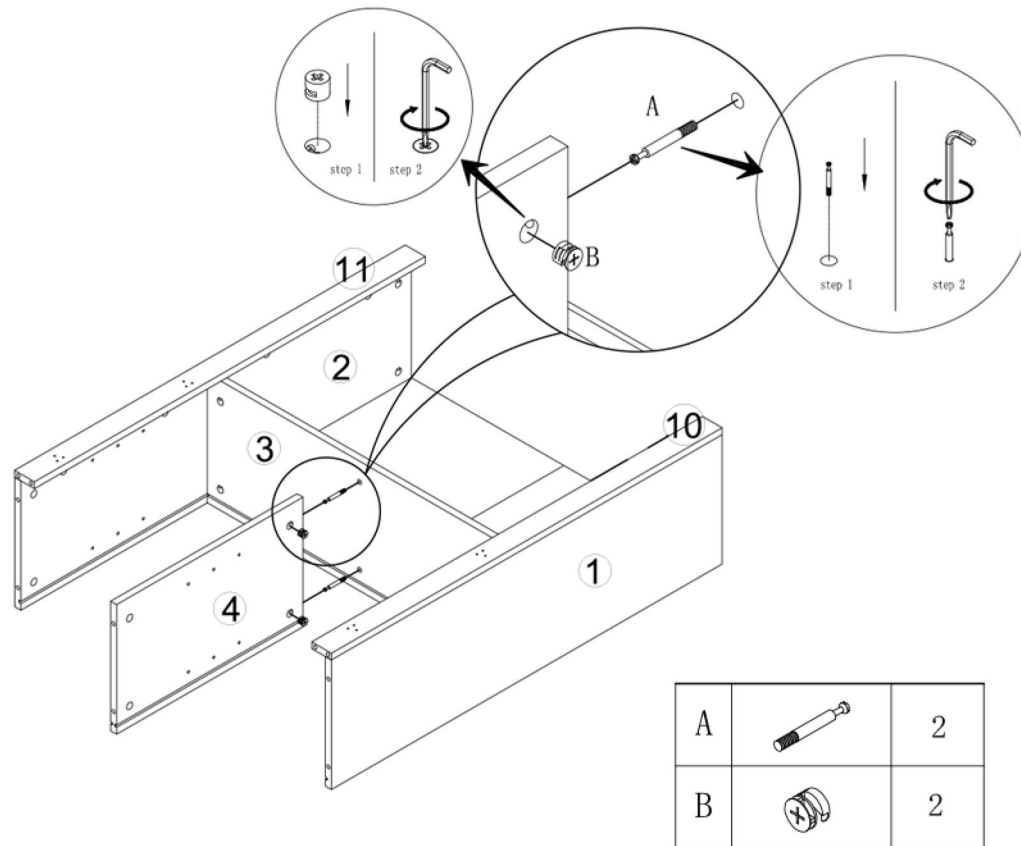
Step 4.
Connect Panel 2 to Panel 3,7 with Cam Coupling A&B.



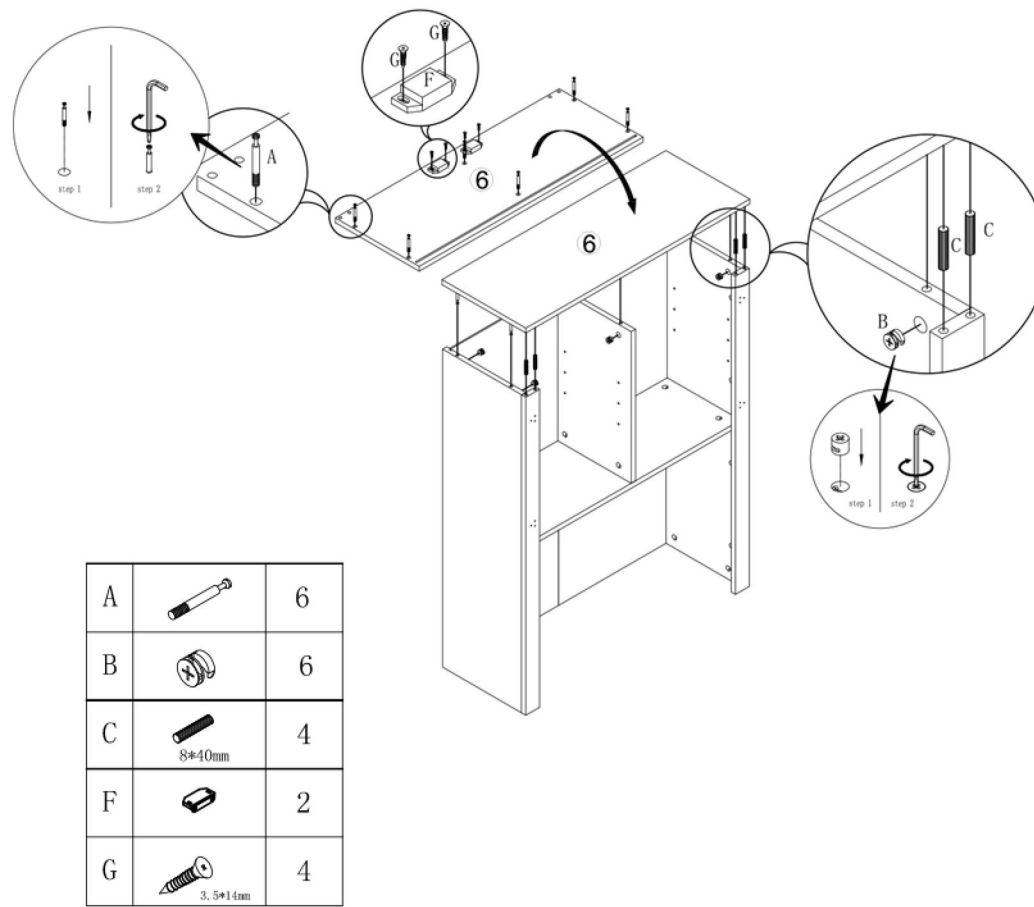
Step 5.
Connect Panel 7 to Panel 1,2,3 with Cam Coupling B.



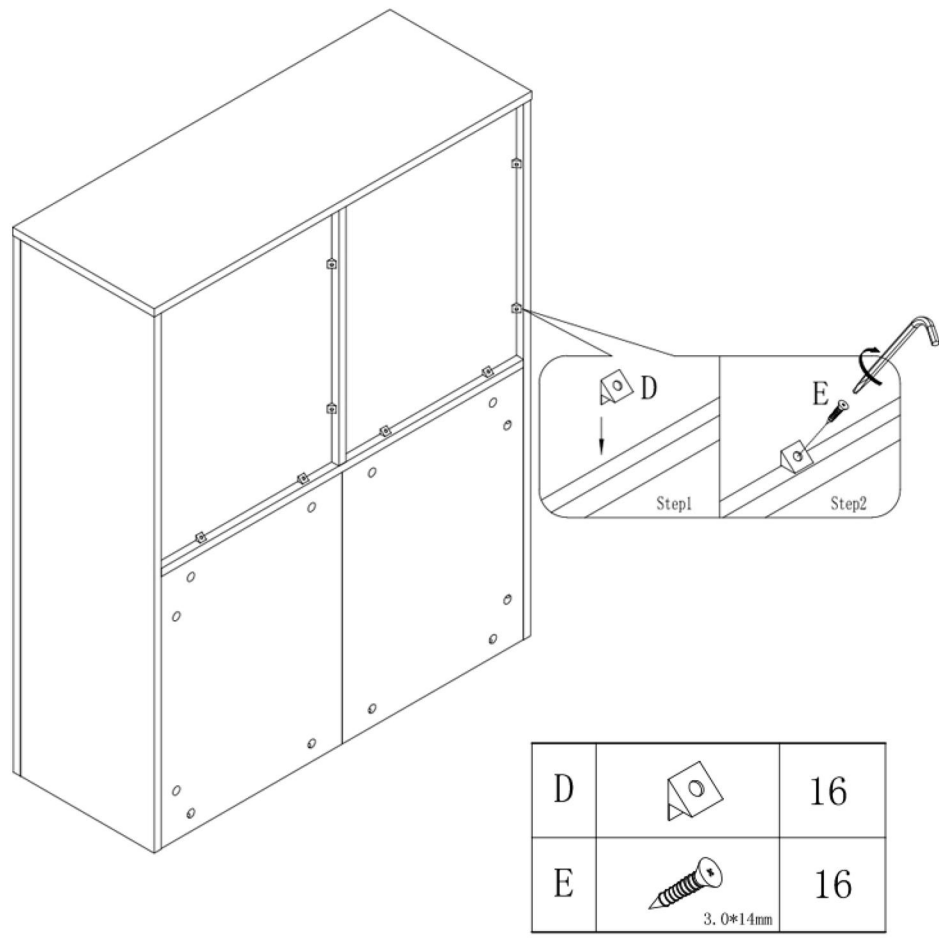
Step 6.
 Connect Panel 10 to Panel 1 with Cam Coupling A&B;
 Connect Panel 11 to Panel 2 with Cam Coupling A&B.



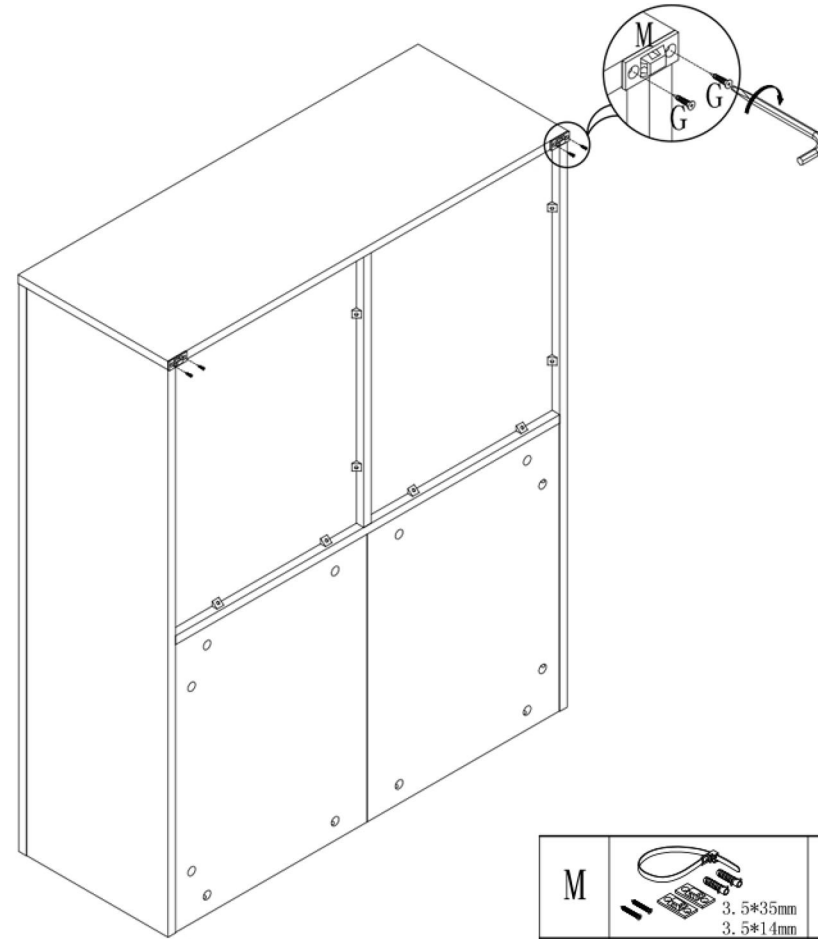
Step 7.
Connect Panel 4 to Panel 3 with Cam Coupling A&B.



Step 9.
 Fix metal part F on top Panel 6 with Screw G;
 Then fix it on the cabinet body with Cam Coupling A&B and C.

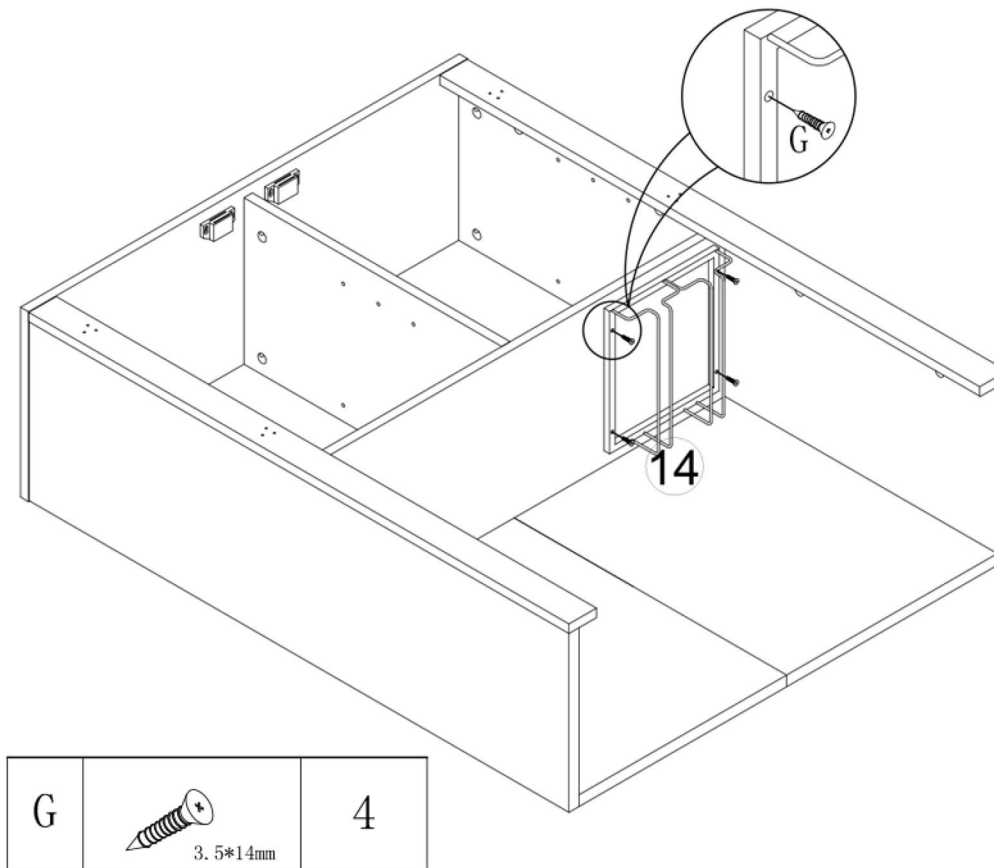


Step 10.
Fix D on cabinet back with Screw E.

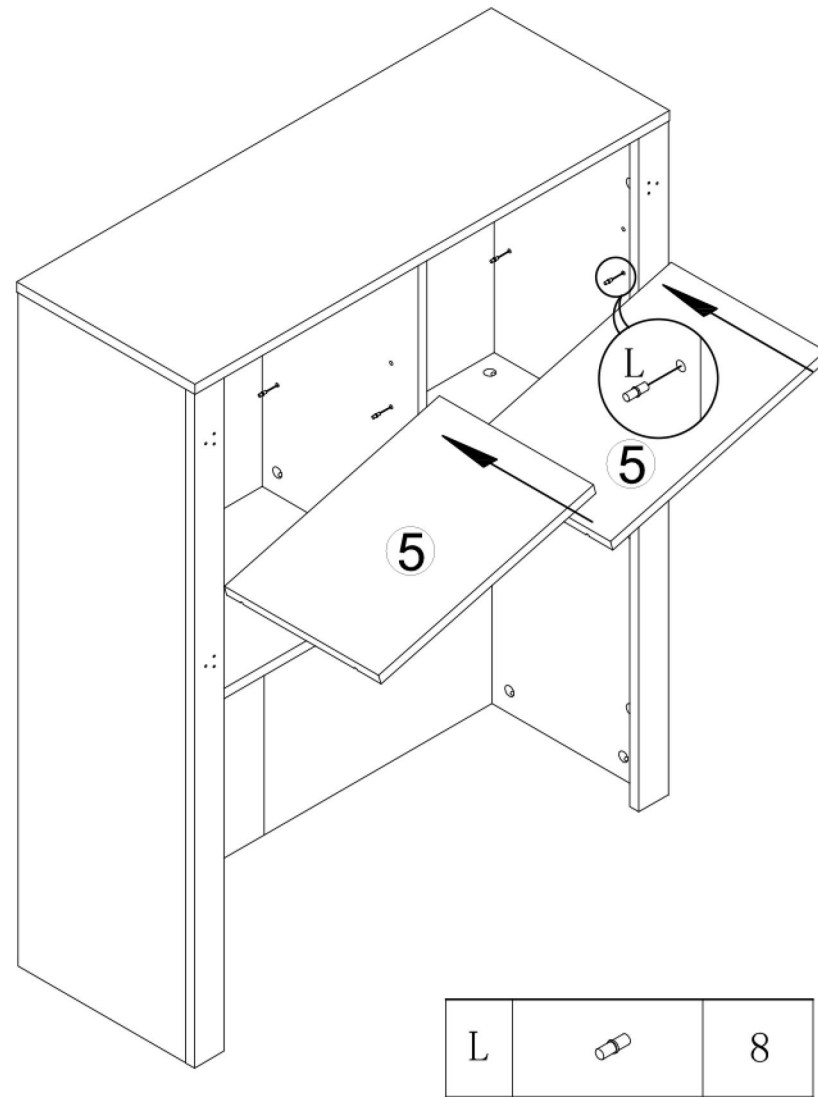


M	 3.5*35mm 3.5*14mm	2
G	 3.5*14mm	4

Step 11.
 Fix metal part M on cabinet back with Screw G.

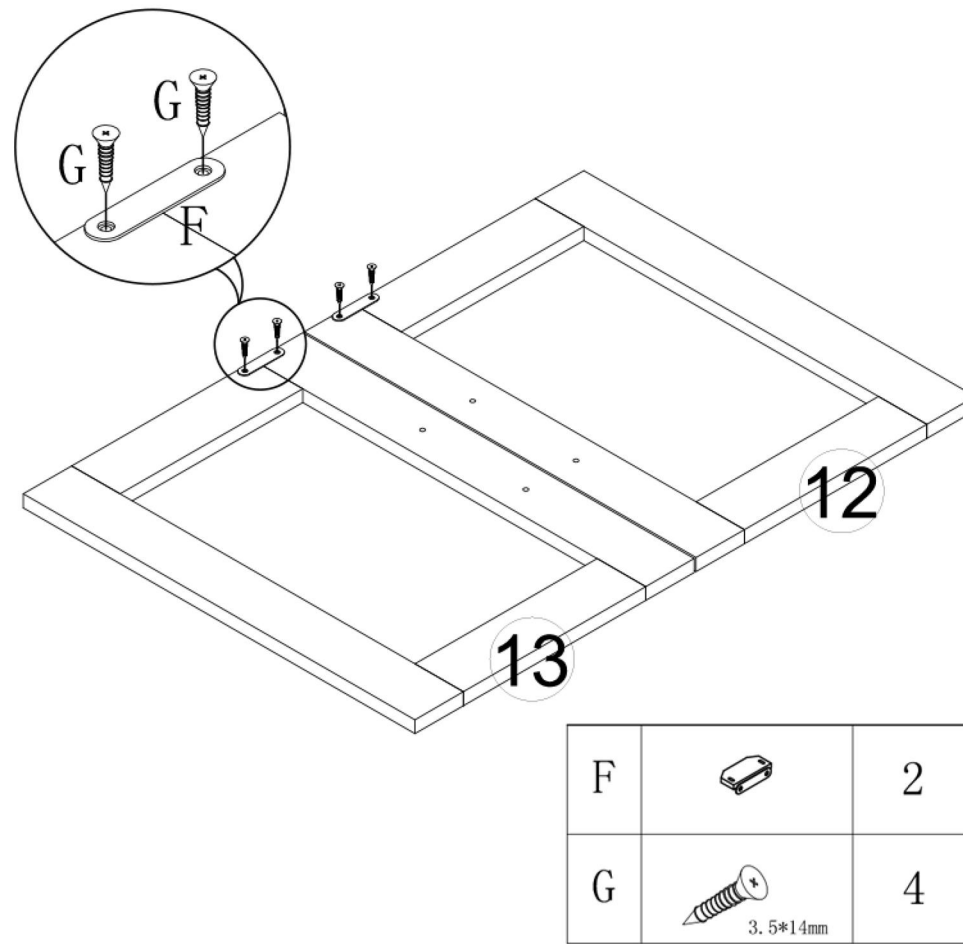


Step 12.
Fix metal part 14 under Panel 3 with Screw G.

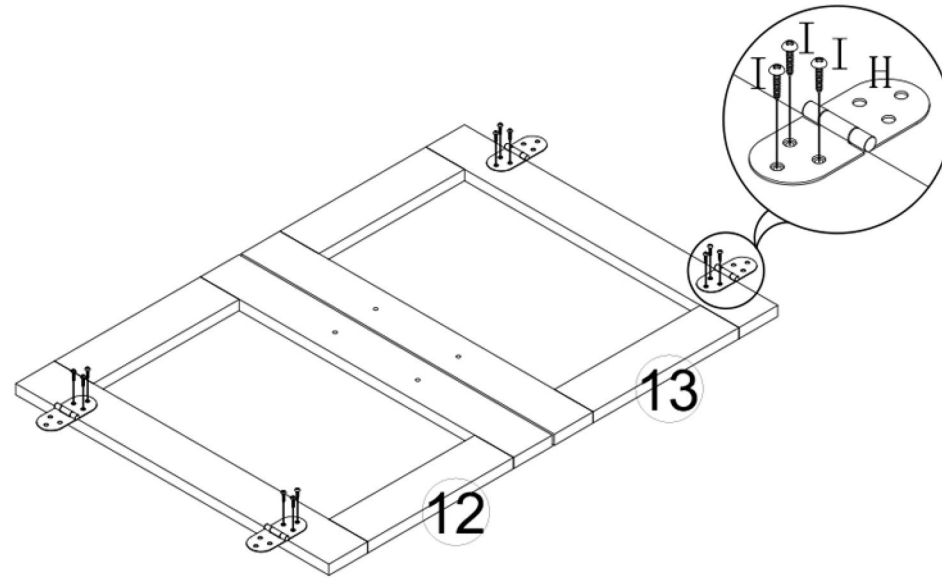




Step 13.

Insert metal part L into the holes on Panel 1,2,4, put Panel 5 on them.

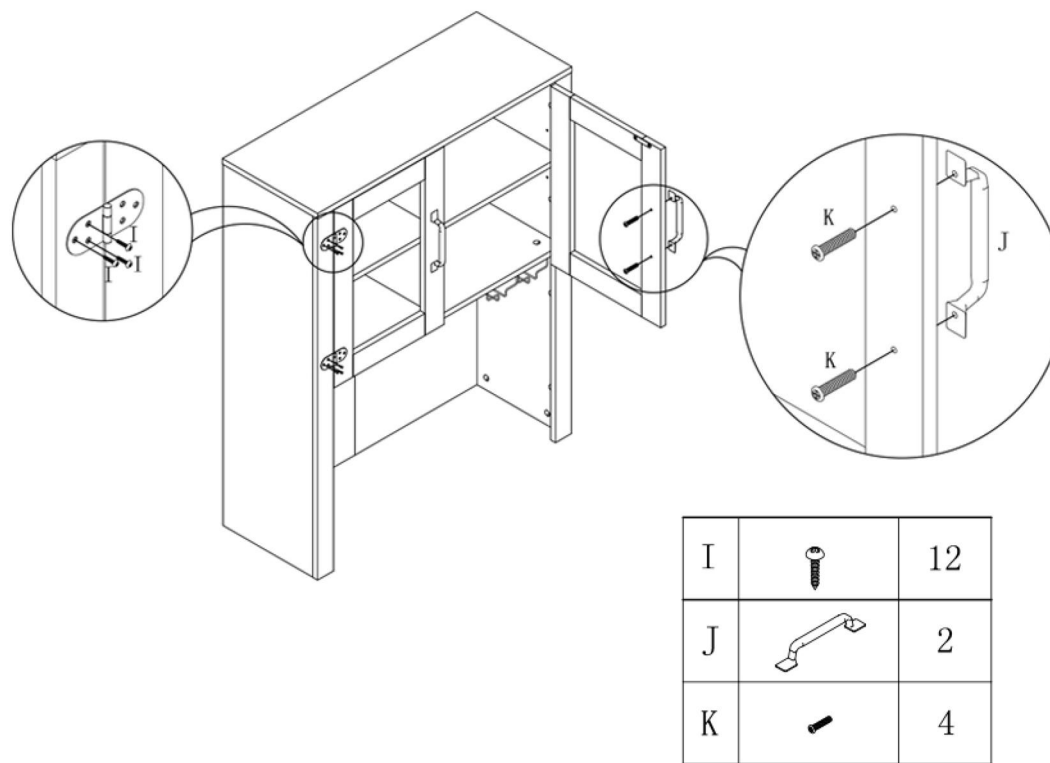


Step 14.
Fix metal part F on the doors panel 11,12 with Screw G.



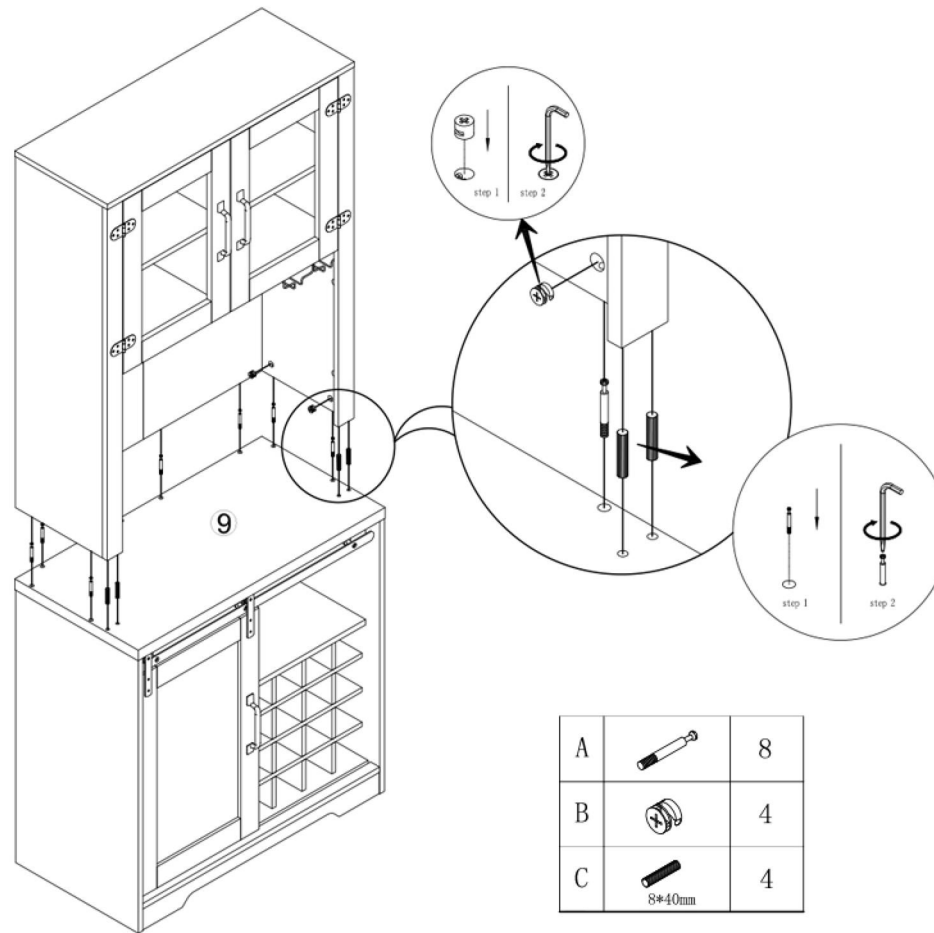
H		4
I		12

Step 15.
Fix the hinge H on the doors Panel 11,12 with Screw I.

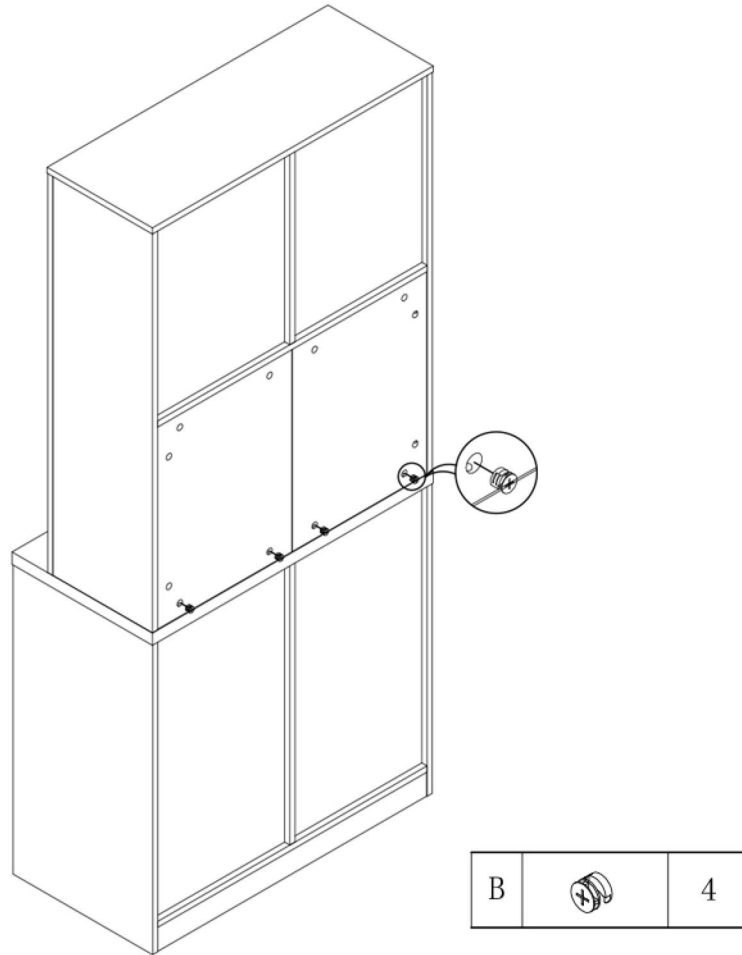


Step 16.

Fix handle J on the doors Panel 11,12 with Screw K.
 Connect the doors Panel 11,12 to the cabinet body with Screw I



Step 17.
 Connect Panel 10,11 to Panel 9 with C;
 Connect Panel 2,1,7 to Panel 9 with Cam Coupling A&B.



Step 18.
Connect Panel 7 to Panel 9 with Cam Coupling B.