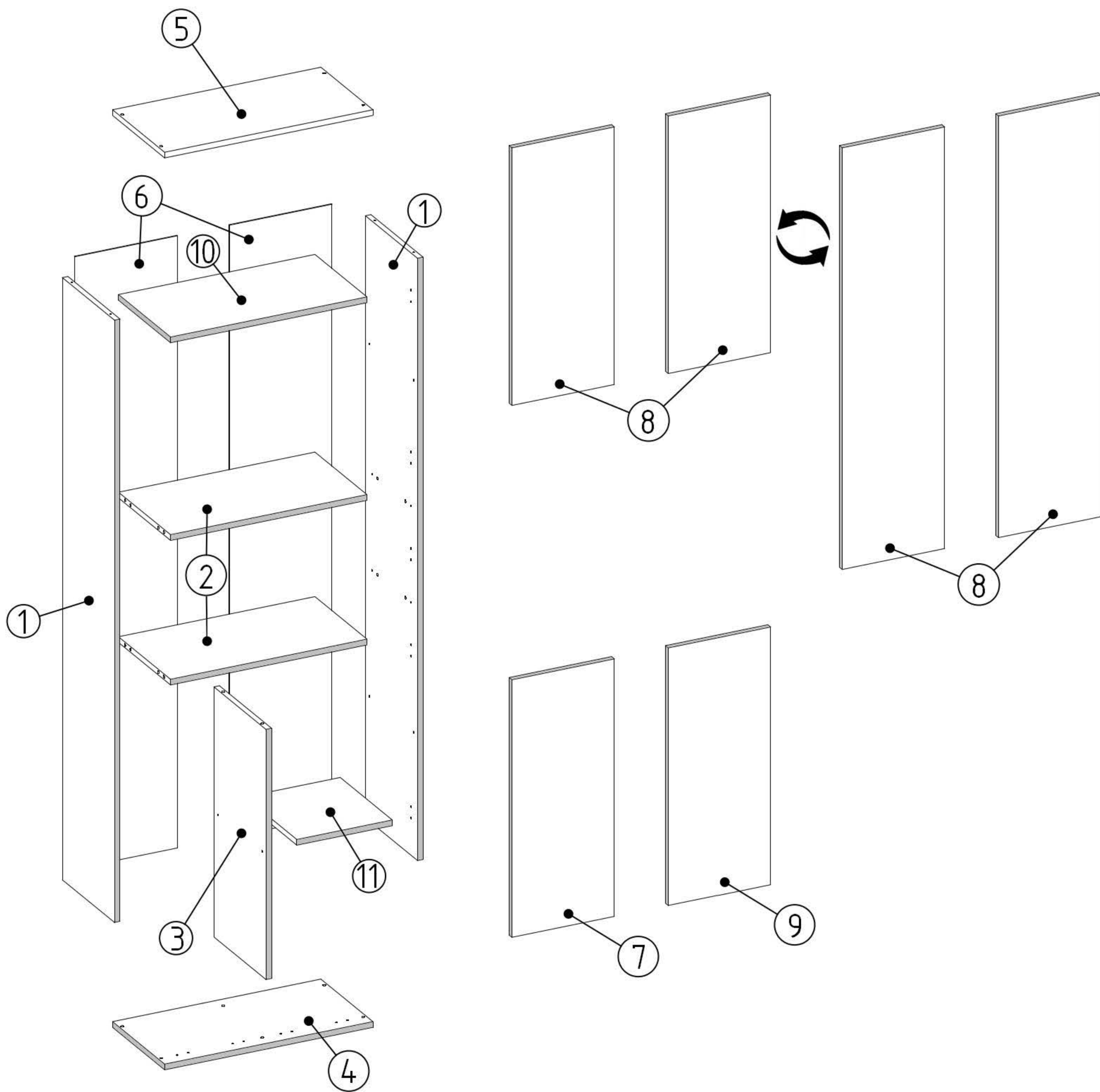


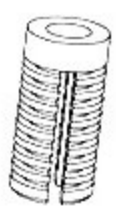


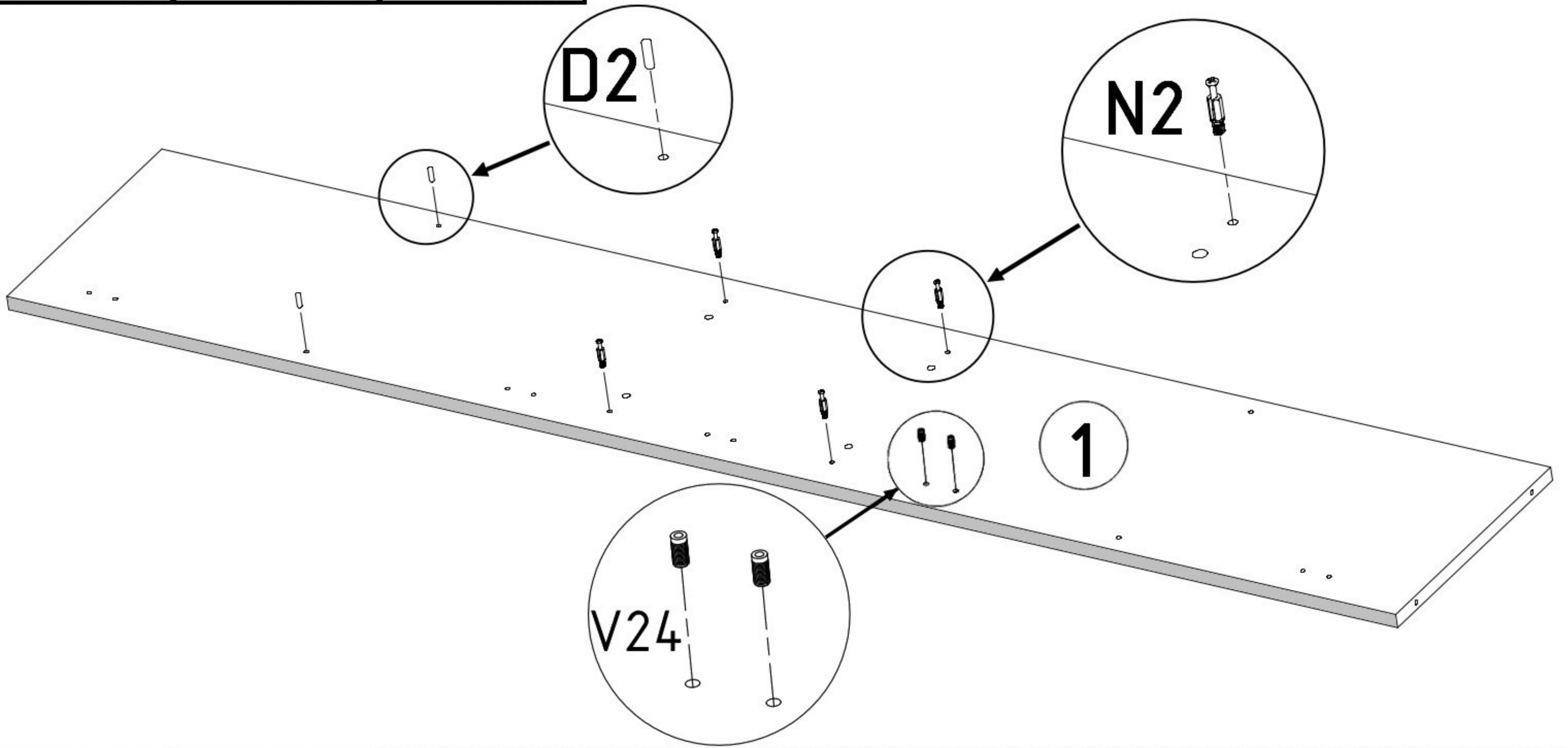
<b>U3</b>  L=190mm <b>x 4</b>	<b>V24</b>  <b>x 2</b>	<b>K3</b>  <b>x 4</b>	<b>K4</b>  <b>x 4</b>	<b>L9</b>  L=975mm <b>x 1</b>			
<b>N2</b>  L=35 mm <b>x 8</b>	<b>M3</b>  12x15 mm <b>x 8</b>	<b>A0</b>  <b>ZP</b> <b>x 8</b>	<b>S1</b>  3,5x16 mm <b>x20</b>	<b>E1</b>  8x30 mm <b>x 12</b>	<b>K2</b>  <b>x 1</b>	<b>S5</b>  2,5x20 mm <b>x 5</b>	<b>D2</b>  5x16 mm <b>x 8</b>
<b>Z2</b>  <b>x 80</b>	<b>F2</b>  7x50 mm <b>x 8</b>	<b>Z4</b>  <b>x 5</b>	<b>K1</b>  <b>x 1</b>	<b>V13</b>  <b>x 1</b>	<b>V26</b>  <b>x 1</b>	<b>T1</b>  <b>x 4</b>	<b>S11</b>  4x30 mm <b>x 8</b>





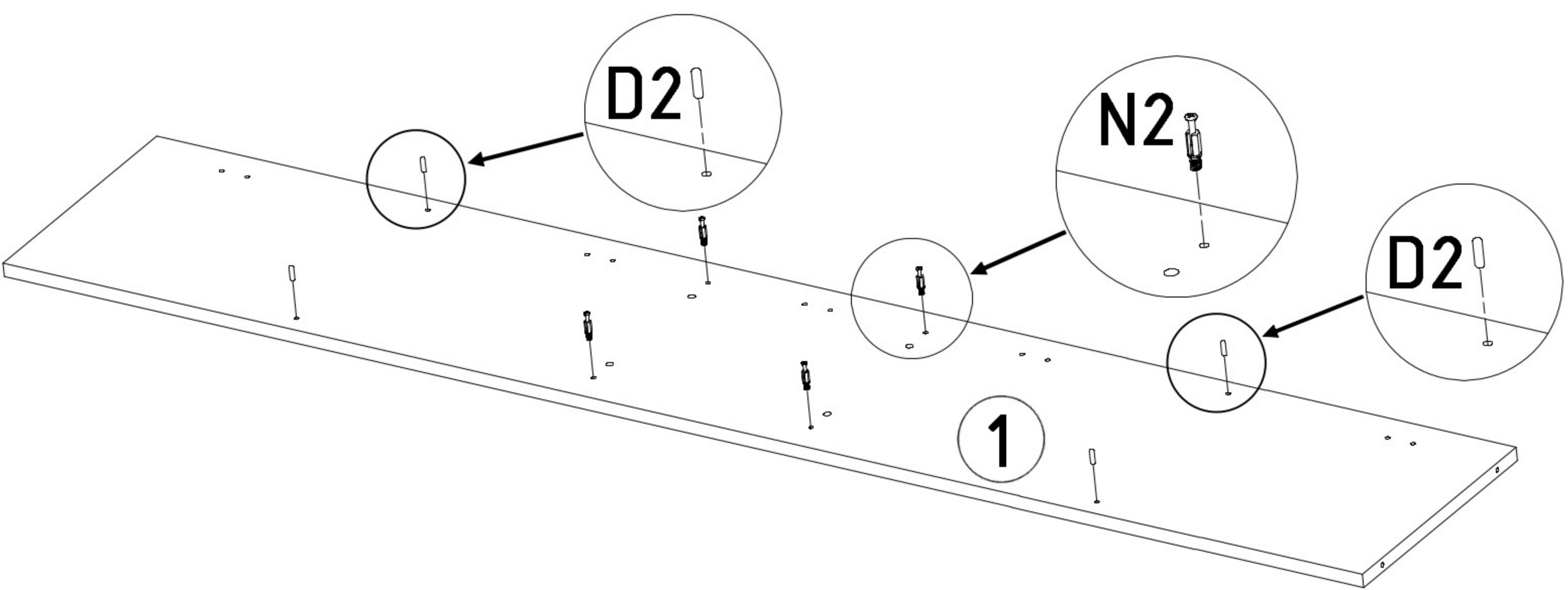
<b>1</b>	x 2
<b>2</b>	x 2
<b>3</b>	x 1
<b>4</b>	x 1
<b>5</b>	x 1



<b>6</b>	x 2
<b>7</b>	x 2
<b>8</b>	x 2
<b>9</b>	x 1
<b>10</b>	x 1
<b>11</b>	x 1

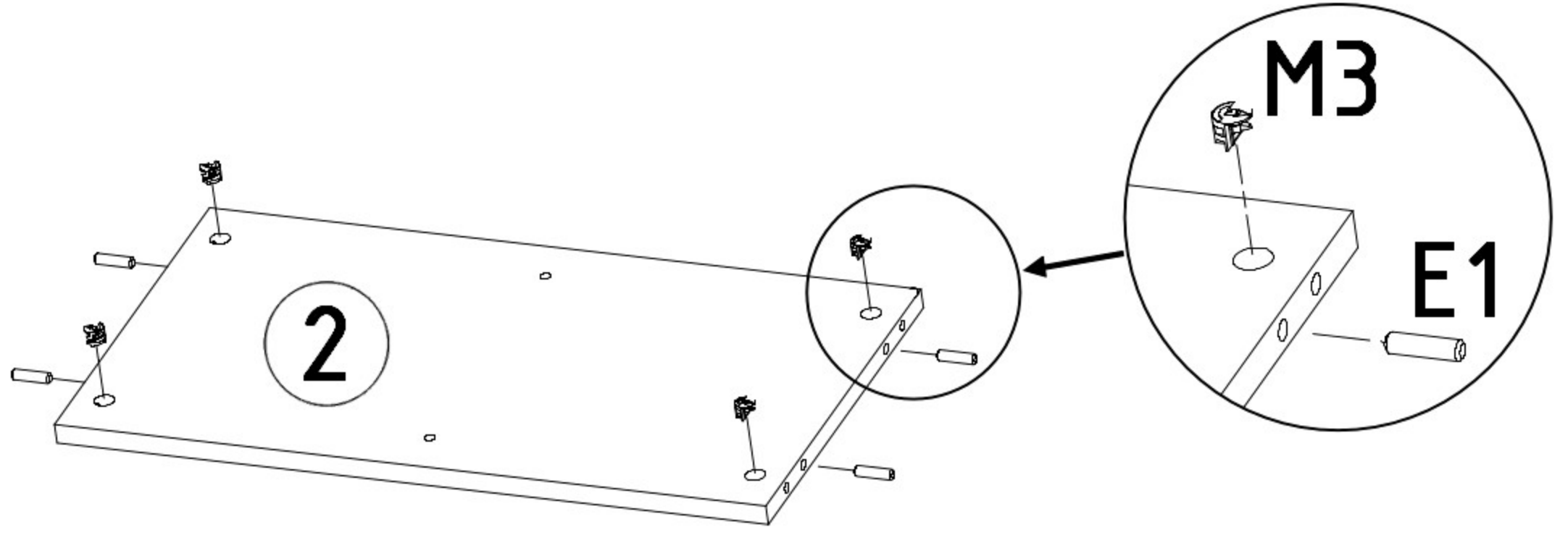
<b>N2</b>  <b>x 4</b>	<b>D2</b>  <b>x 2</b>	<b>V24</b>  <b>x 2</b>
---	--	---



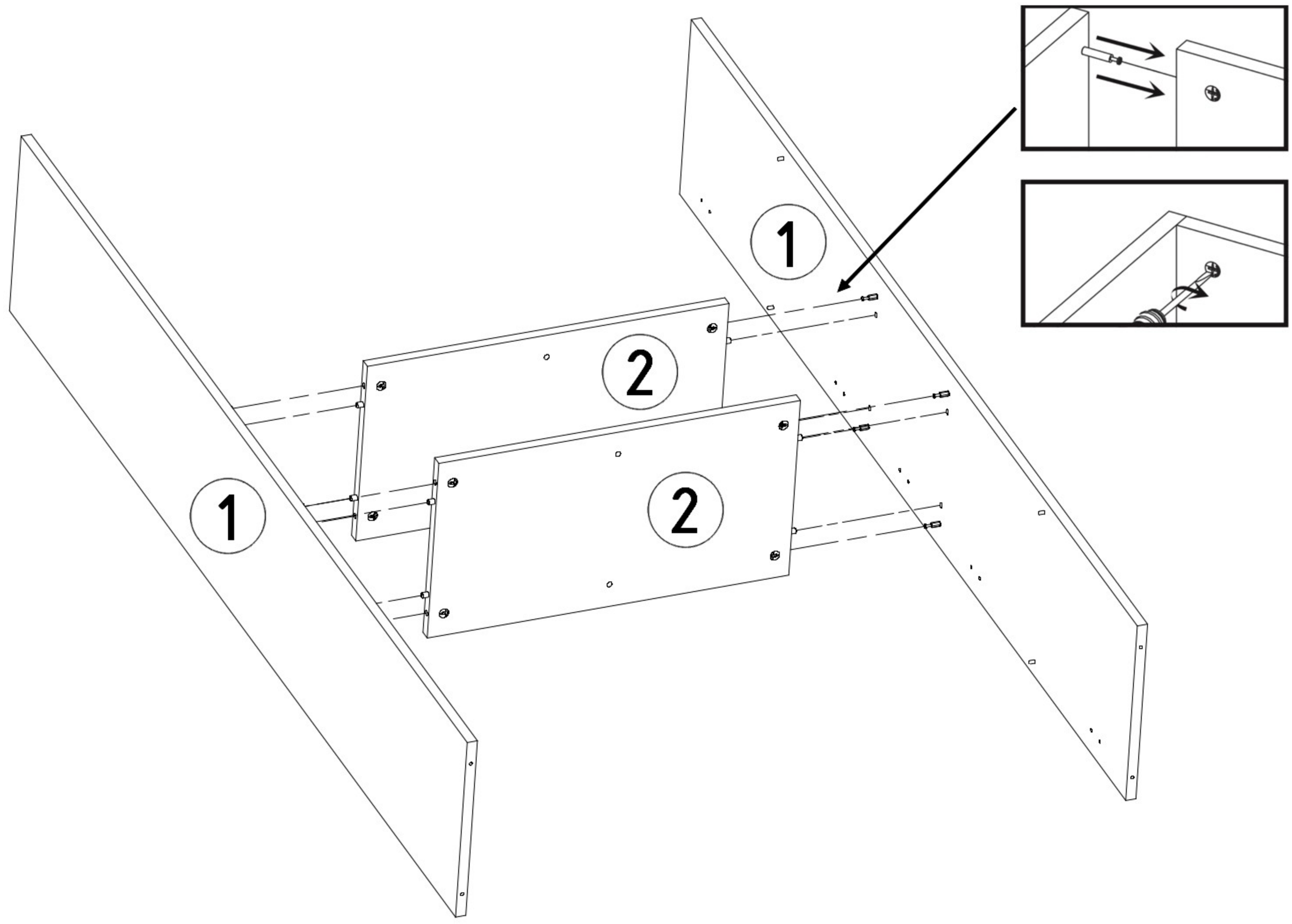
<b>N2</b>  <b>x 4</b>	<b>D2</b>  <b>x 4</b>
---	--



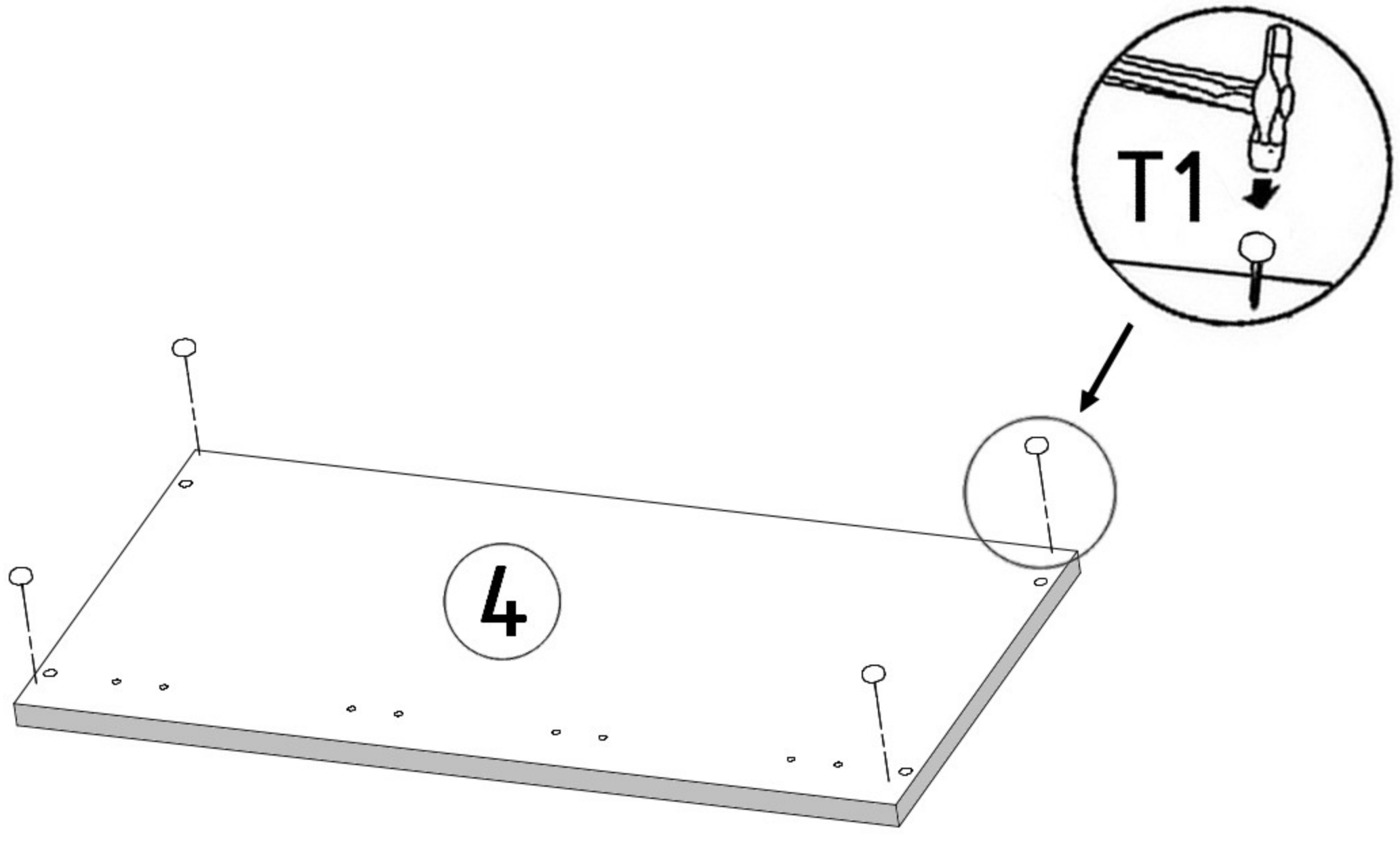
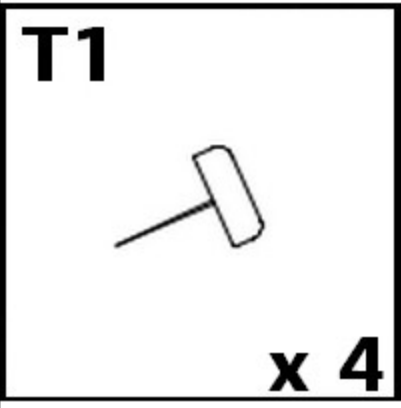
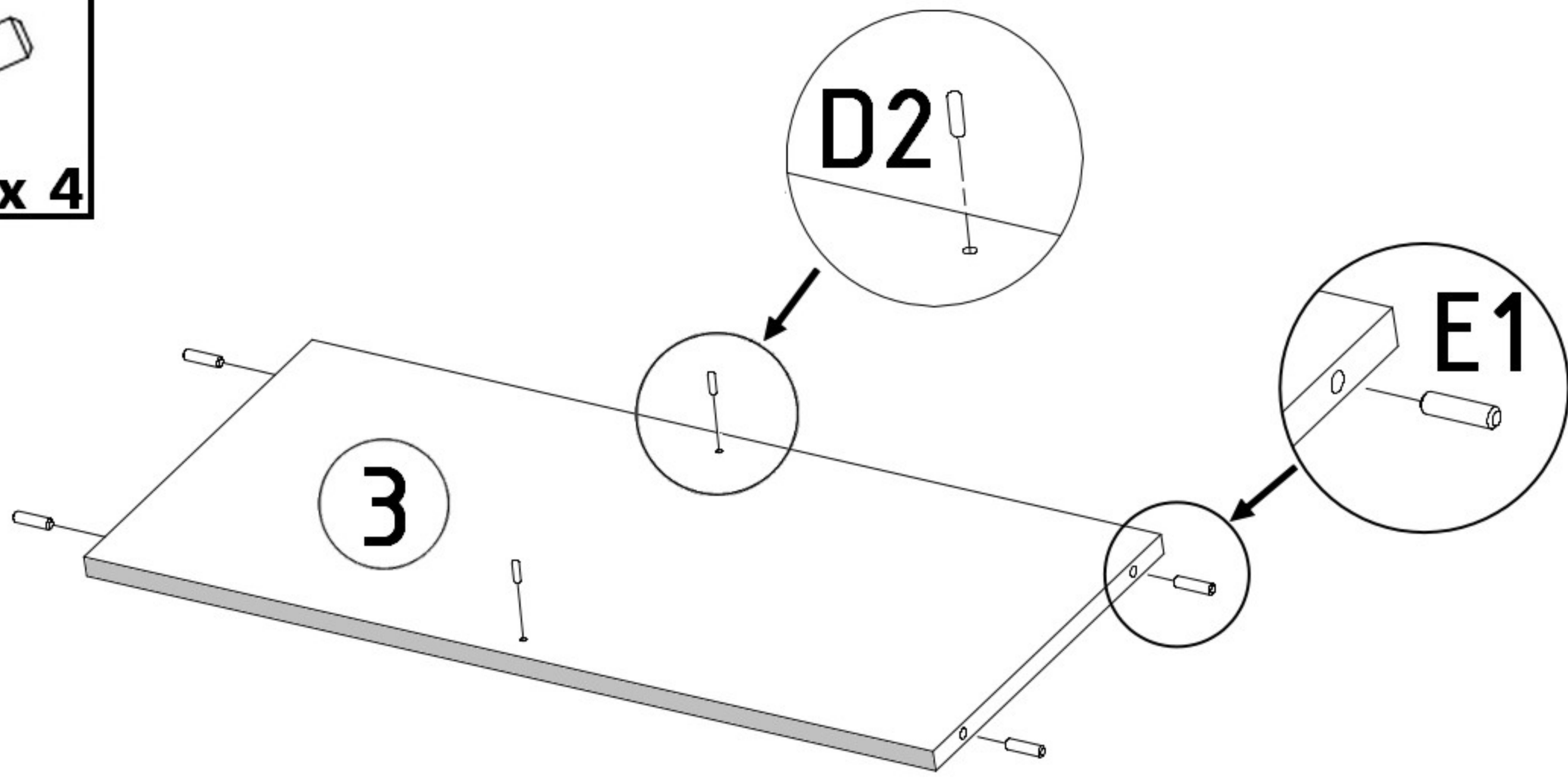
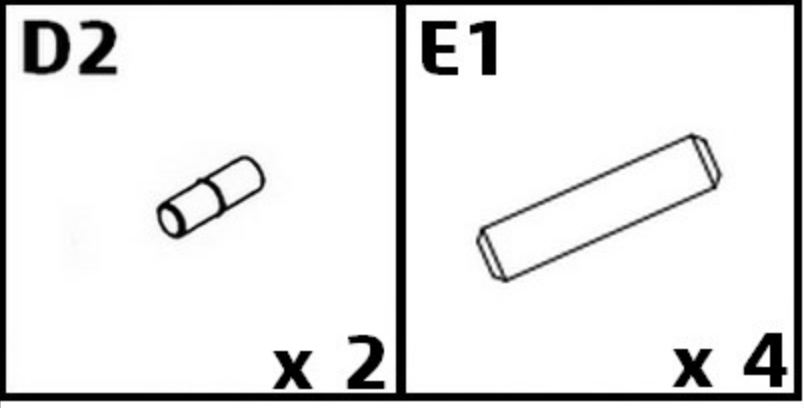
<b>M3</b>  <b>x 8</b>	<b>E1</b>  <b>x 8</b>
--	--

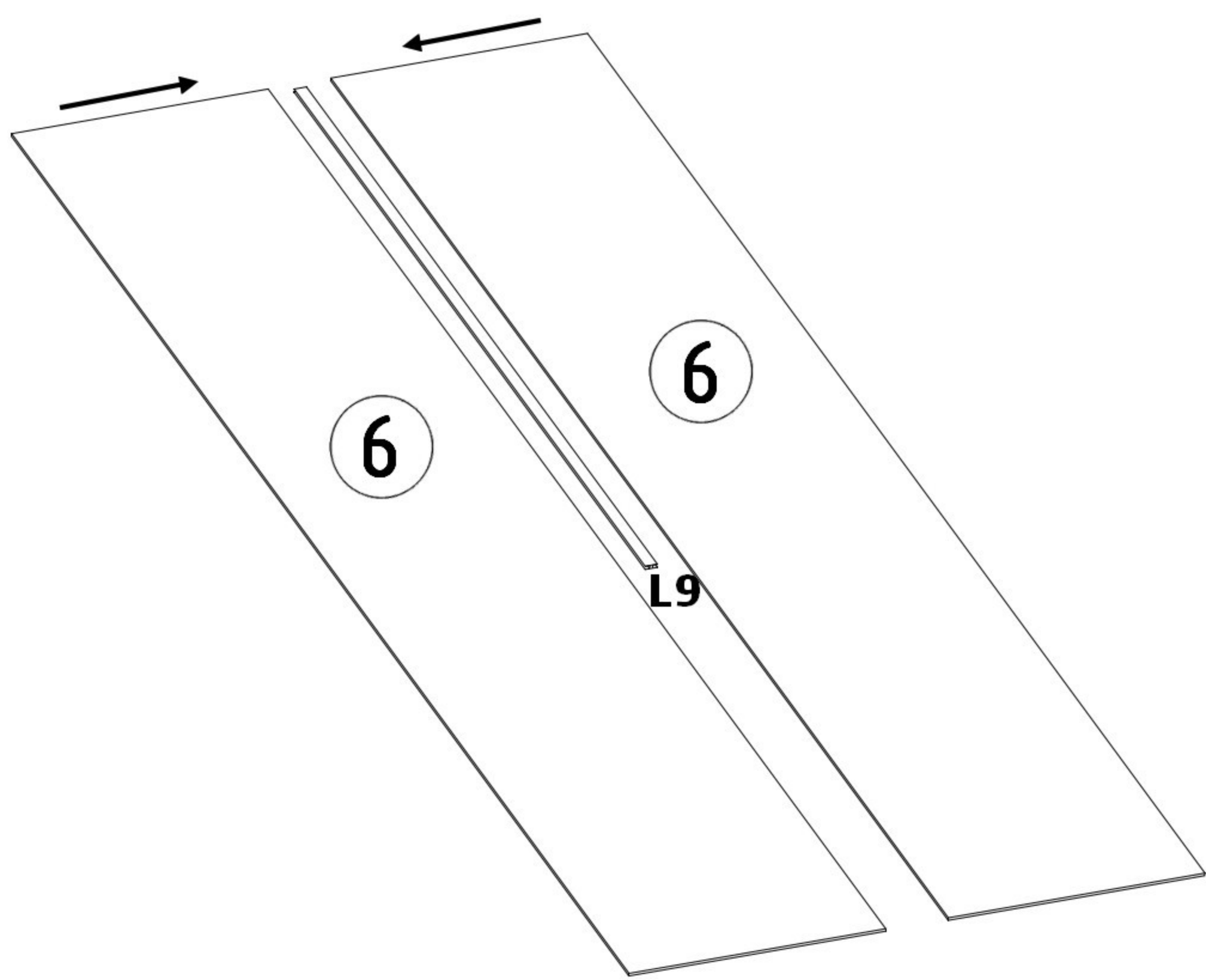
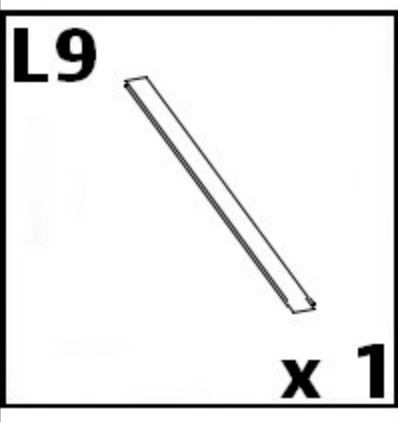
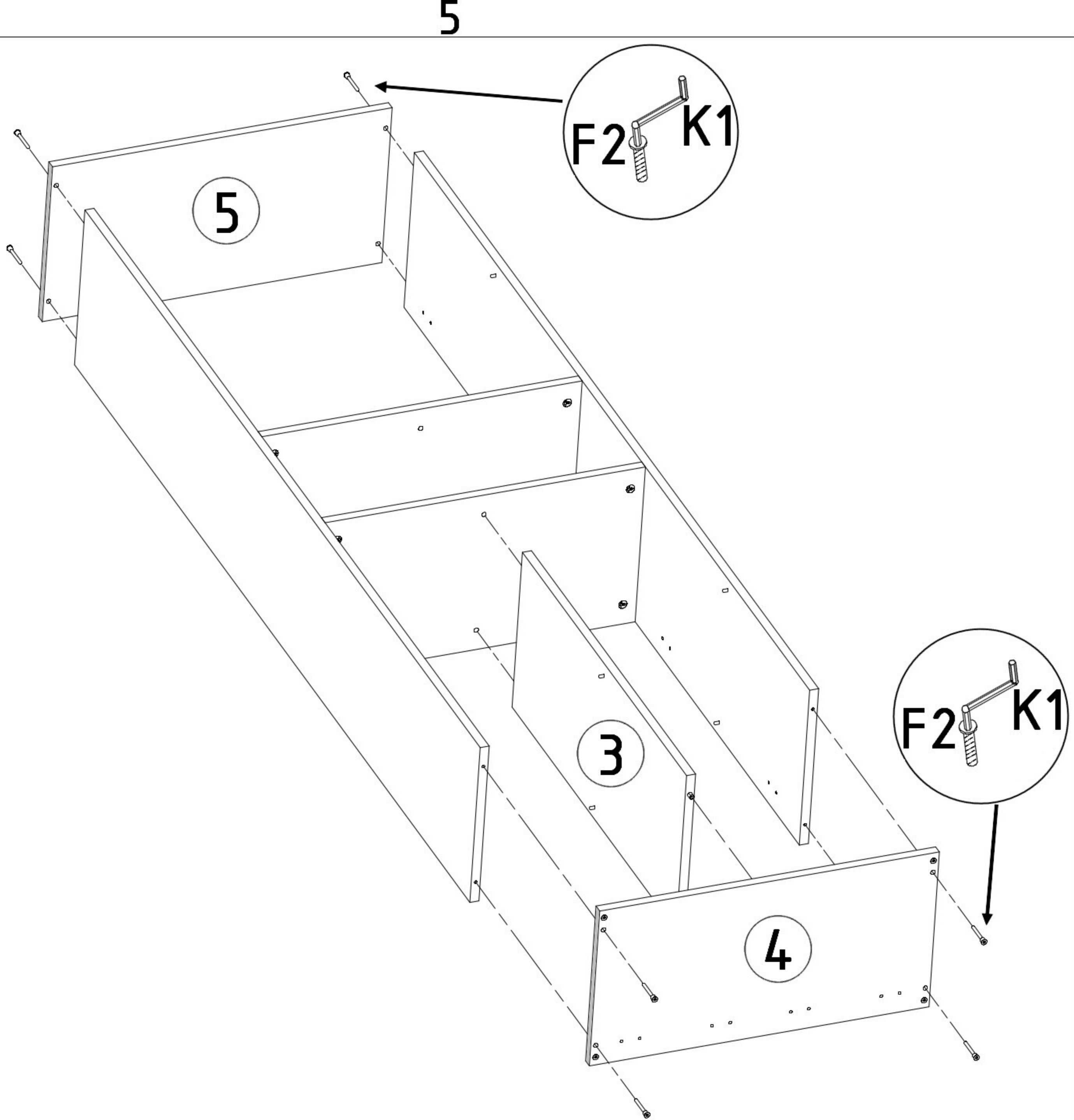
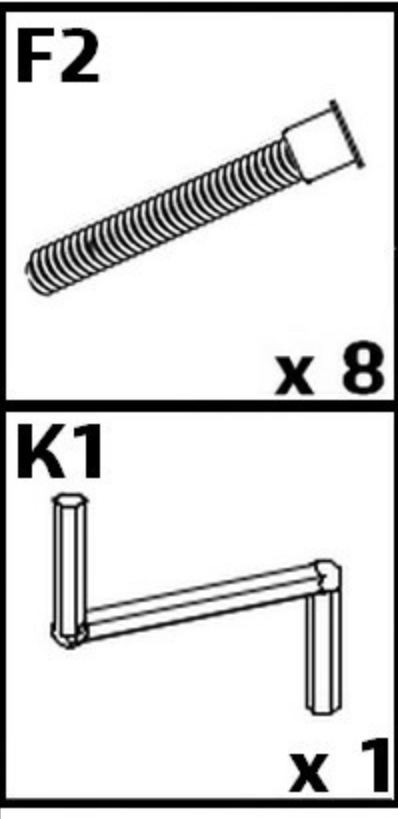


x 2






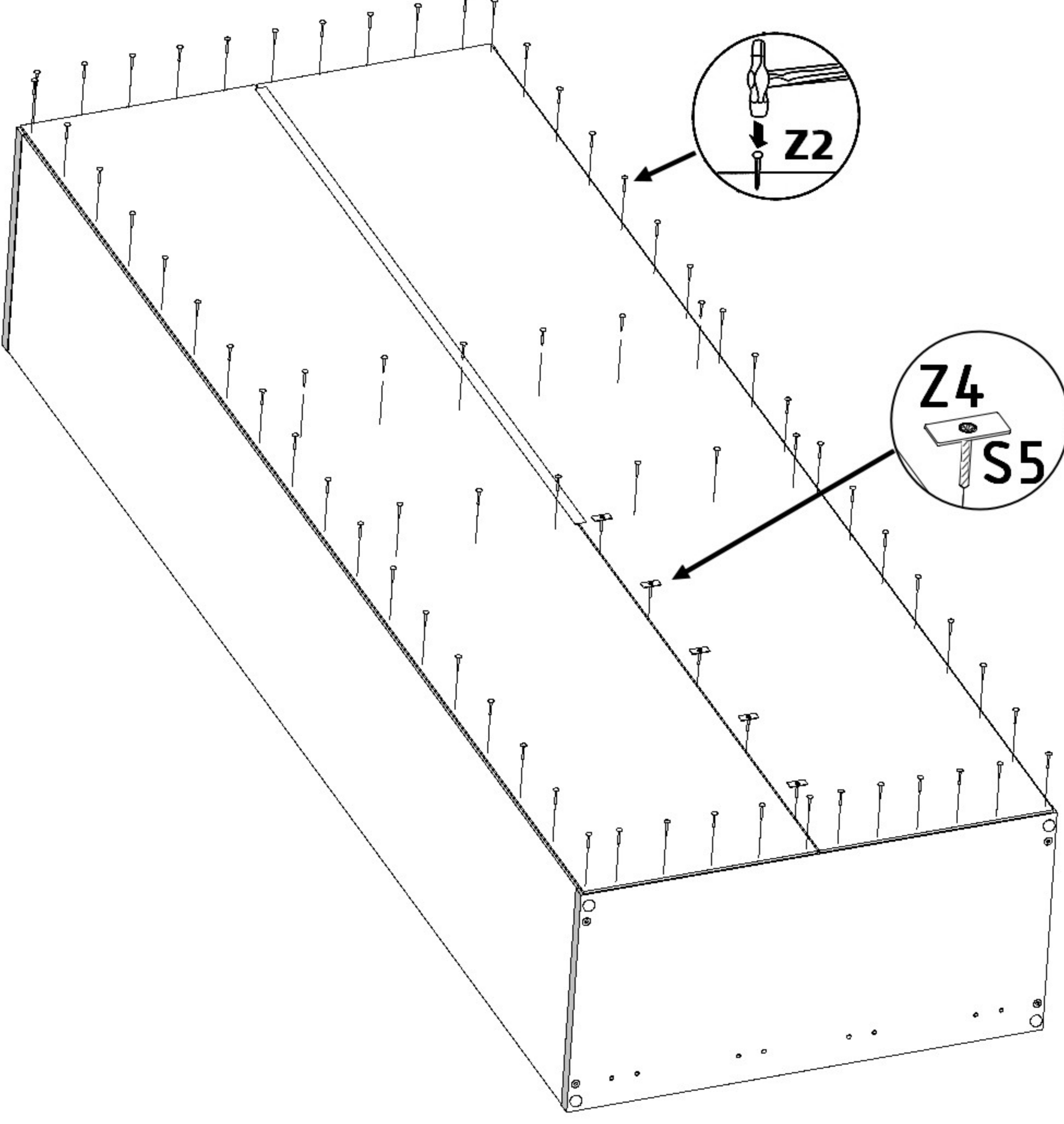
4

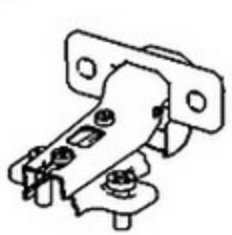








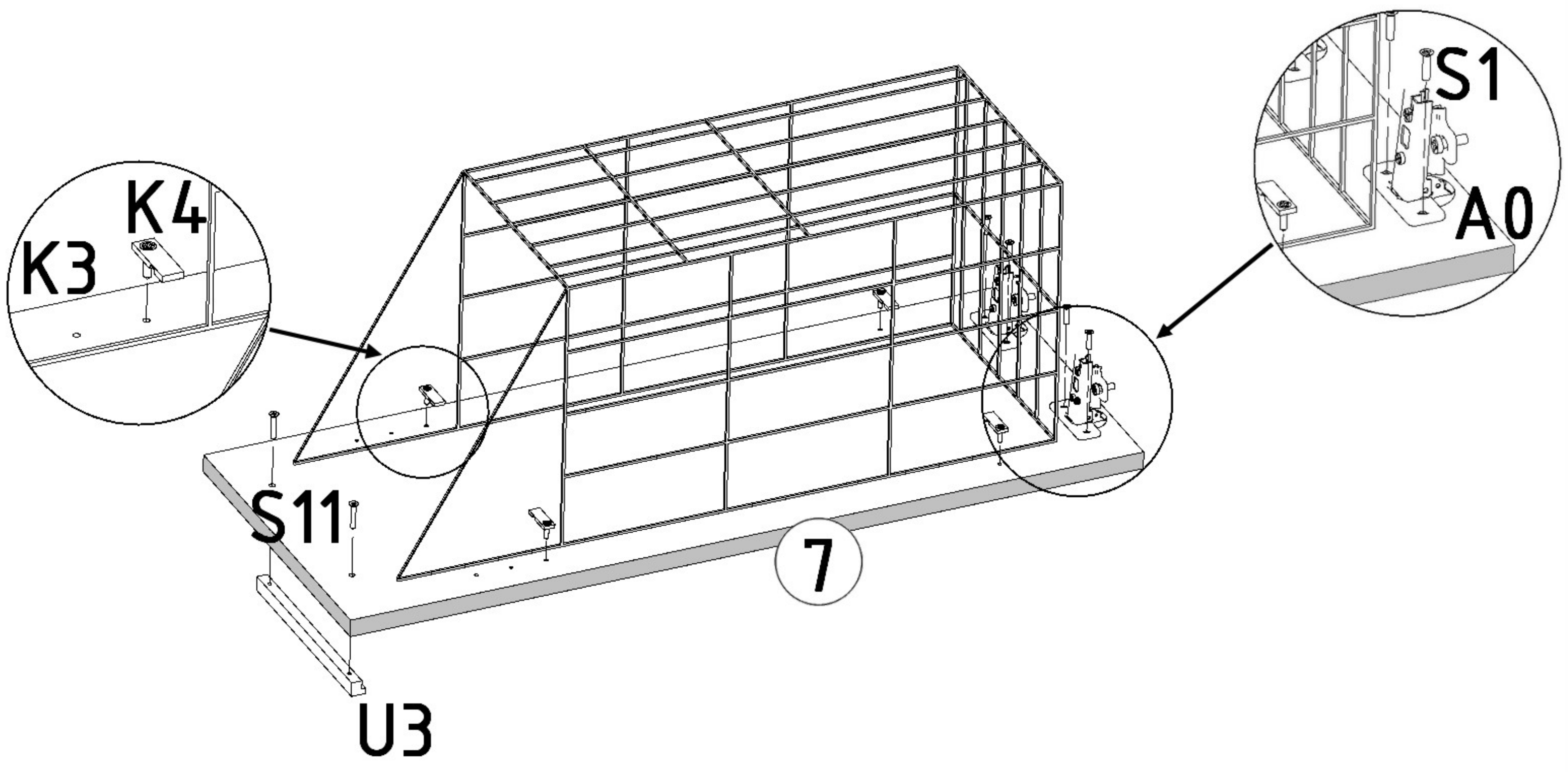


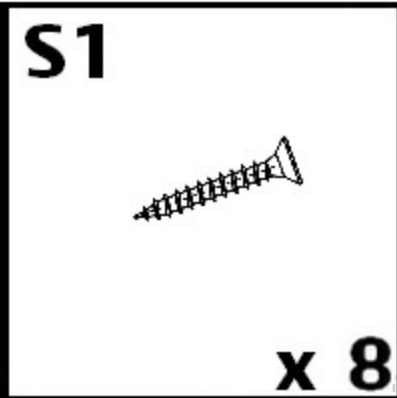
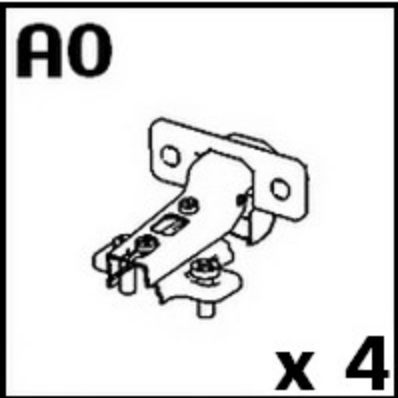
6

<p><b>Z2</b></p>  <p>x 80</p>	<p><b>S5</b></p>  <p>x 5</p>	<p><b>Z4</b></p>  <p>x 5</p>
---	---	---

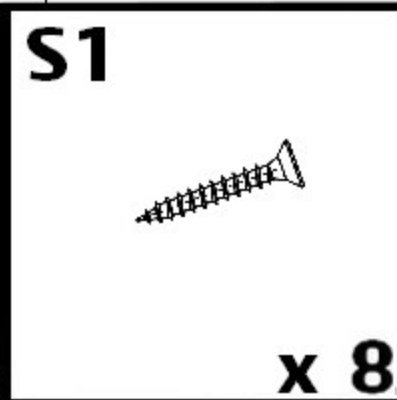
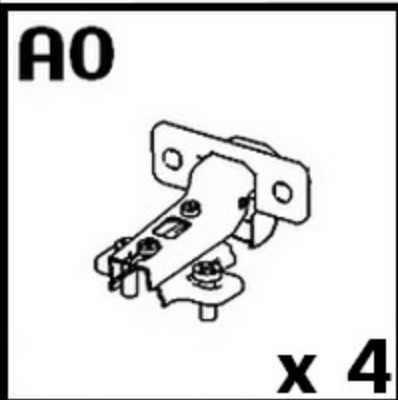
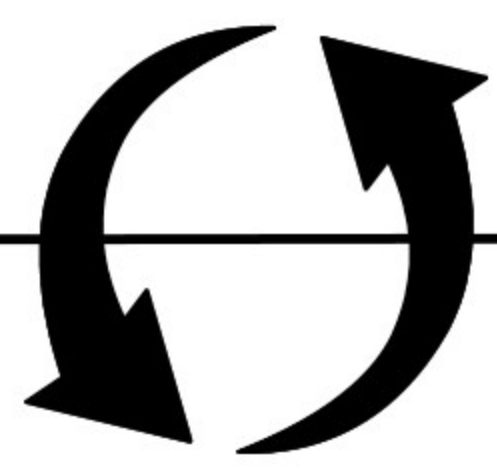
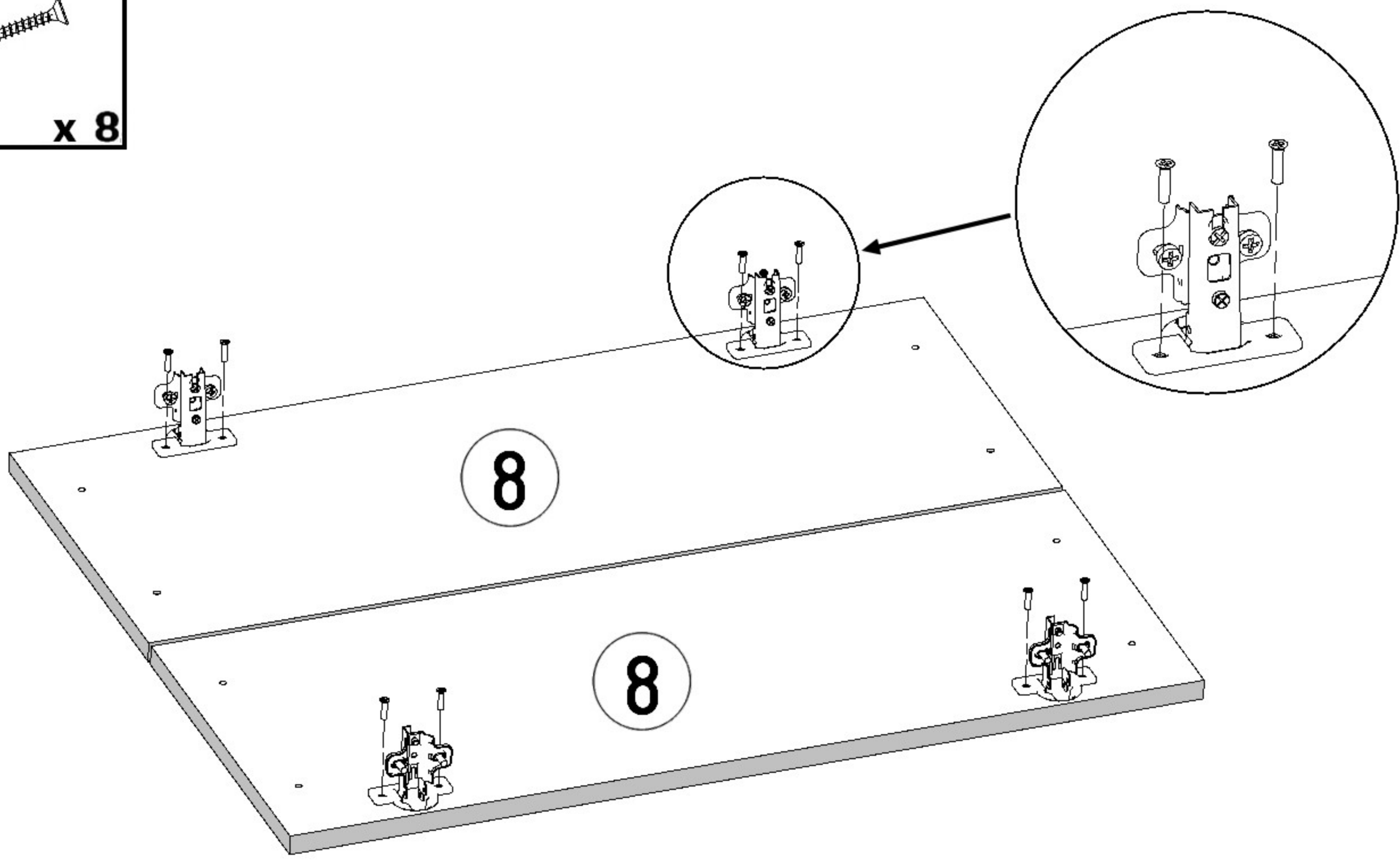
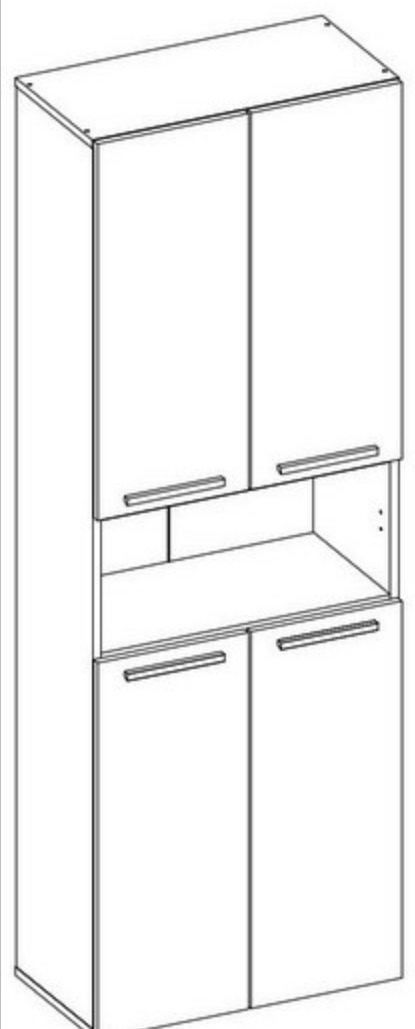


<p><b>A0</b></p>  <p>x 2</p>	<p><b>S1</b></p>  <p>x 4</p>	<p><b>K3</b></p>  <p>x 4</p>	<p><b>K4</b></p>  <p>x 4</p>	<p><b>U3</b></p>  <p>x 1</p>	<p><b>S11</b></p>  <p>x 2</p>	<p><b>K2</b></p>  <p>x 1</p>
--	---	---	---	---	--	---





NEL 1K DK



NEL 1K DD

