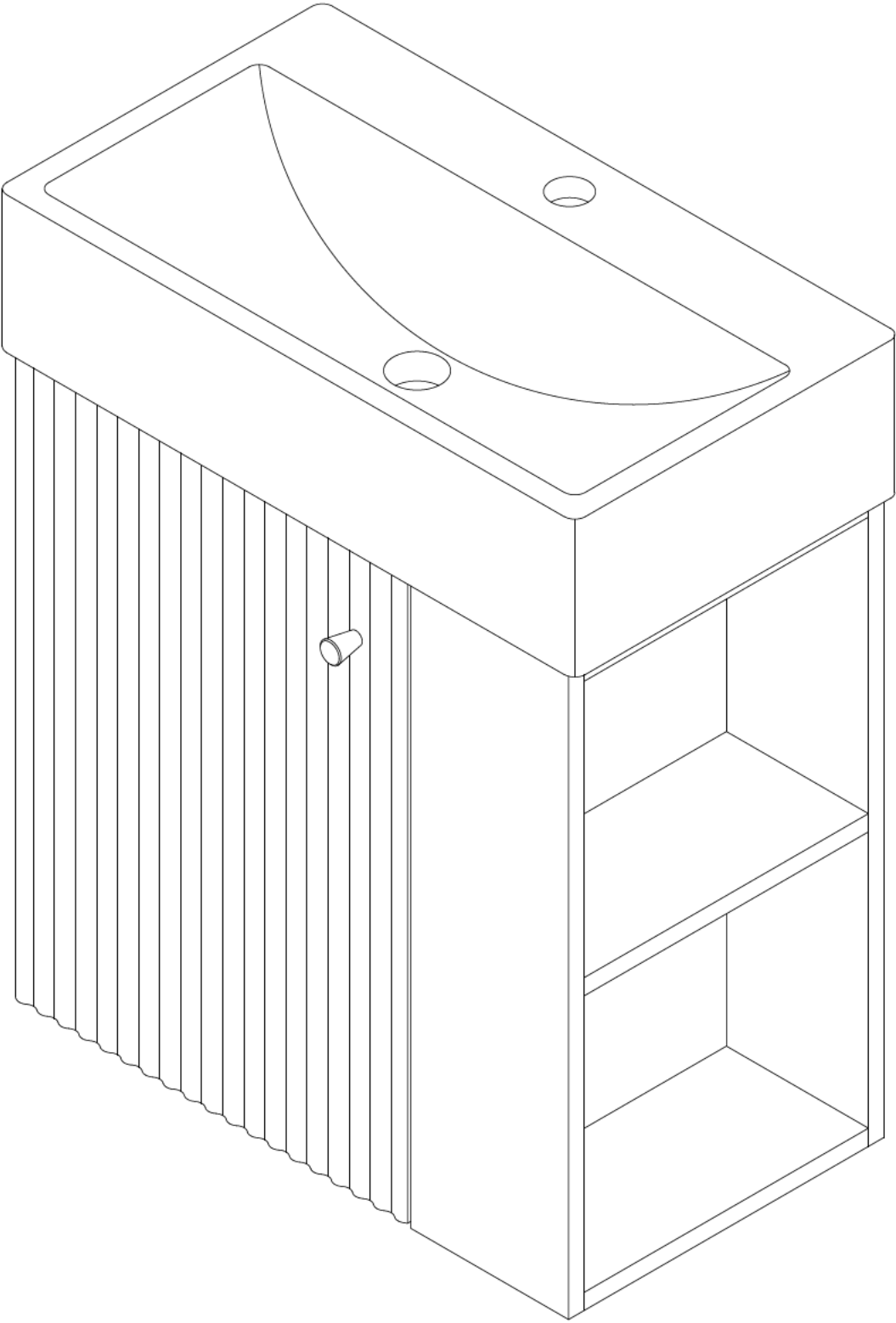
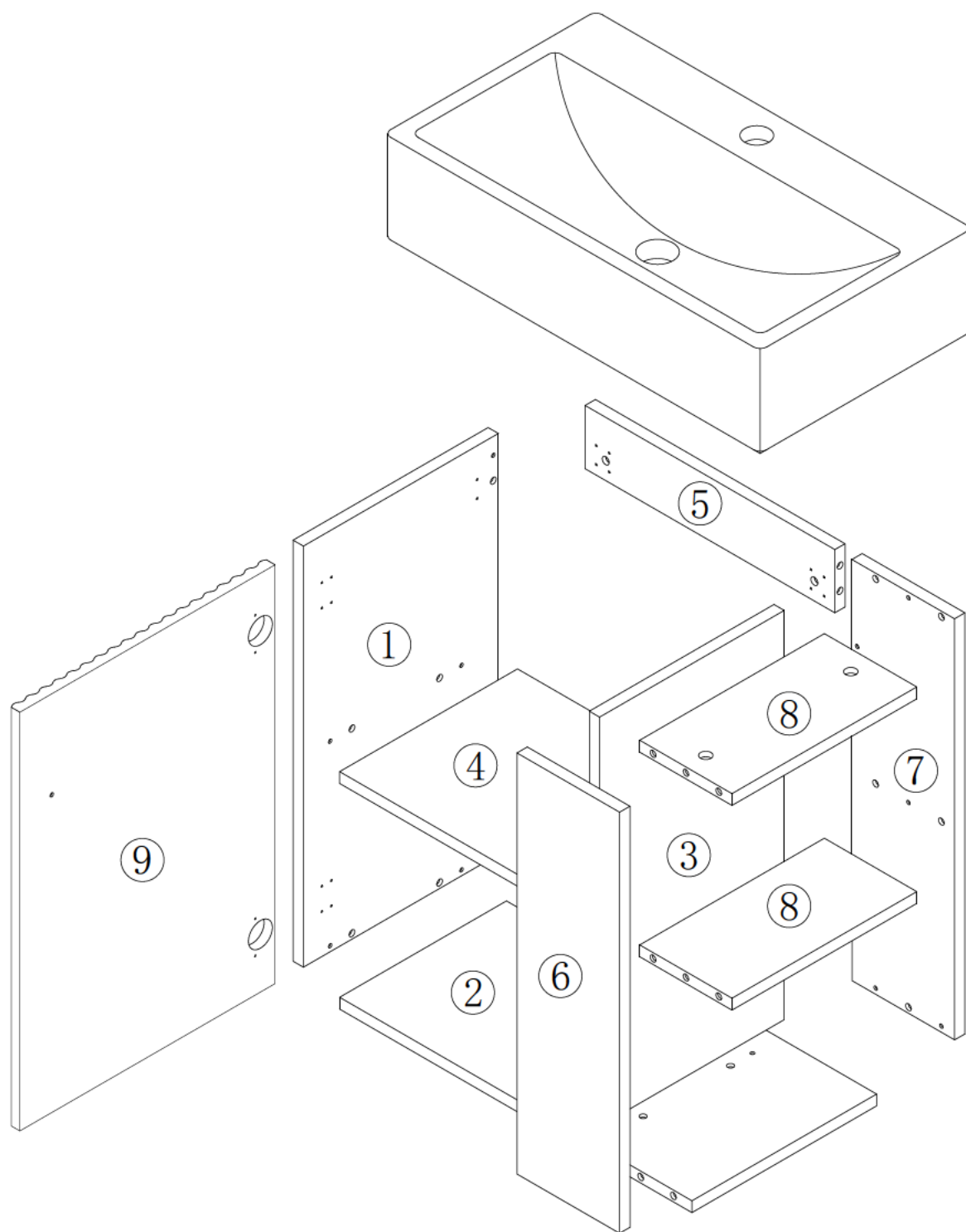
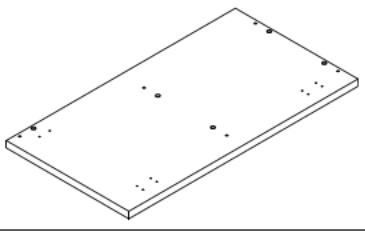
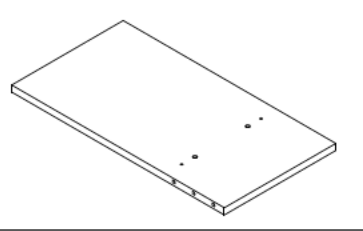
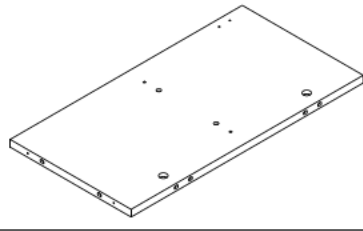
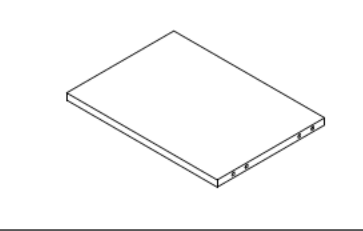
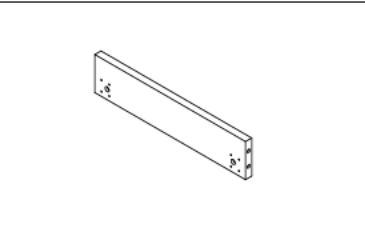
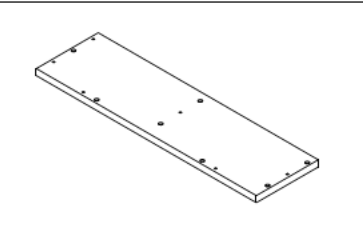
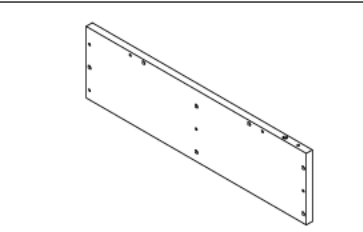
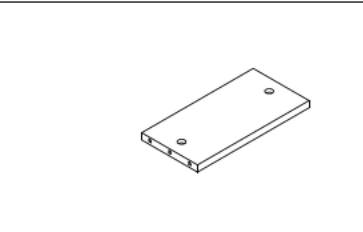
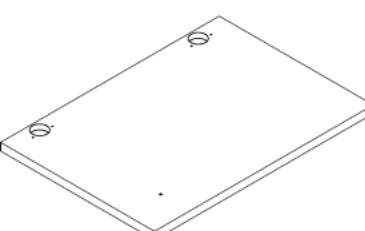


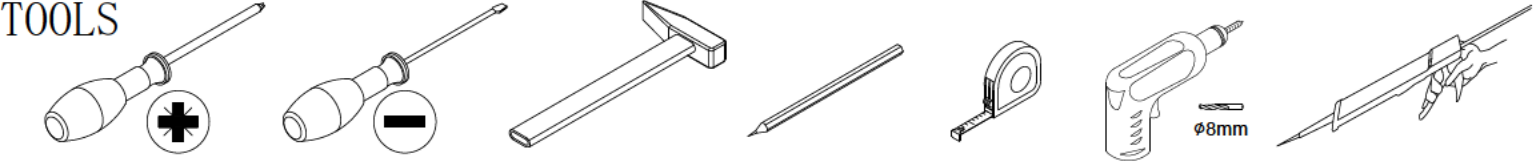
# ASSEMBLY INSTRUCTION

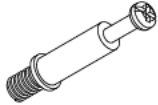




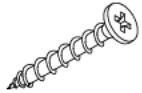


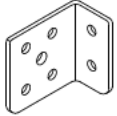
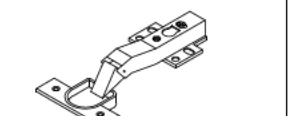










			
① x1	② x1	③ x1	④ x1
			
⑤ x1	⑥ x1	⑦ x1	⑧ x2
			
⑨ x1			

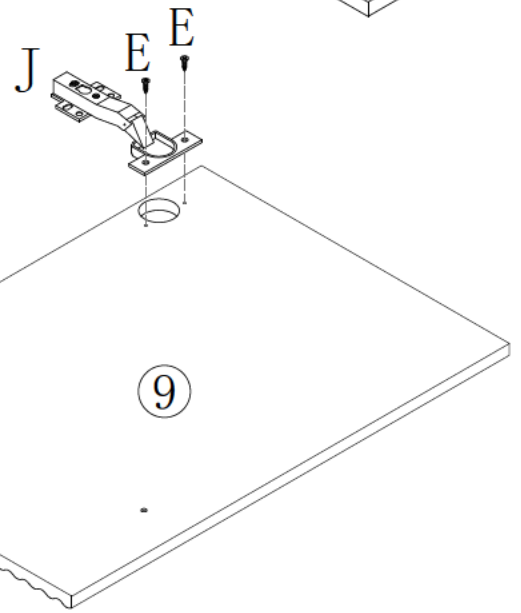
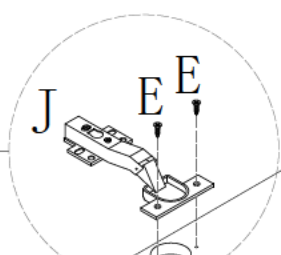
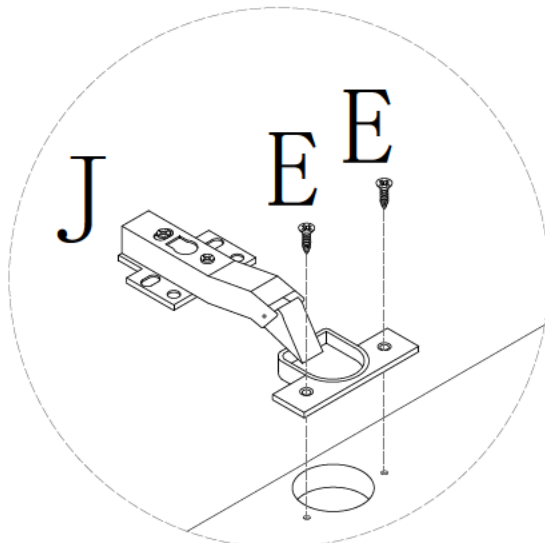
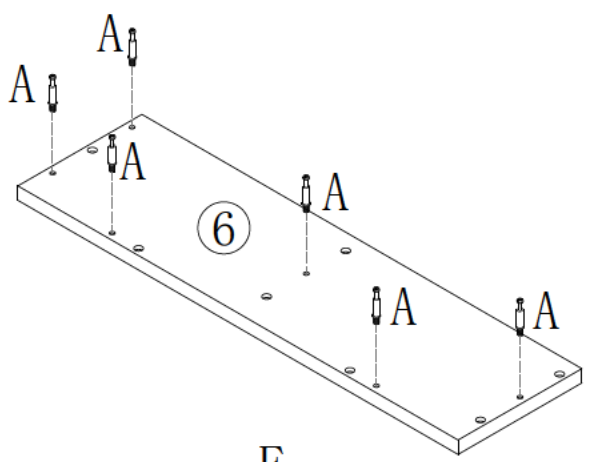
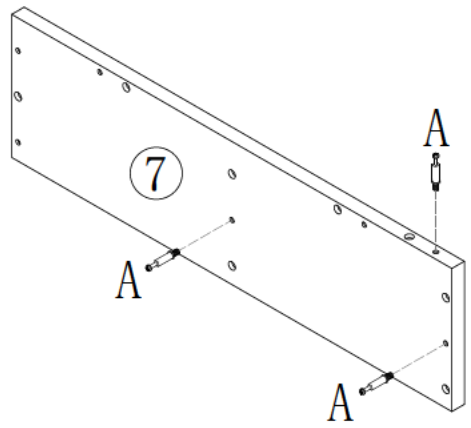
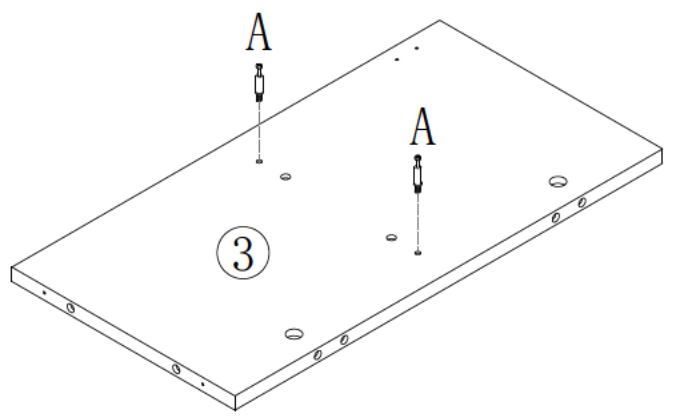
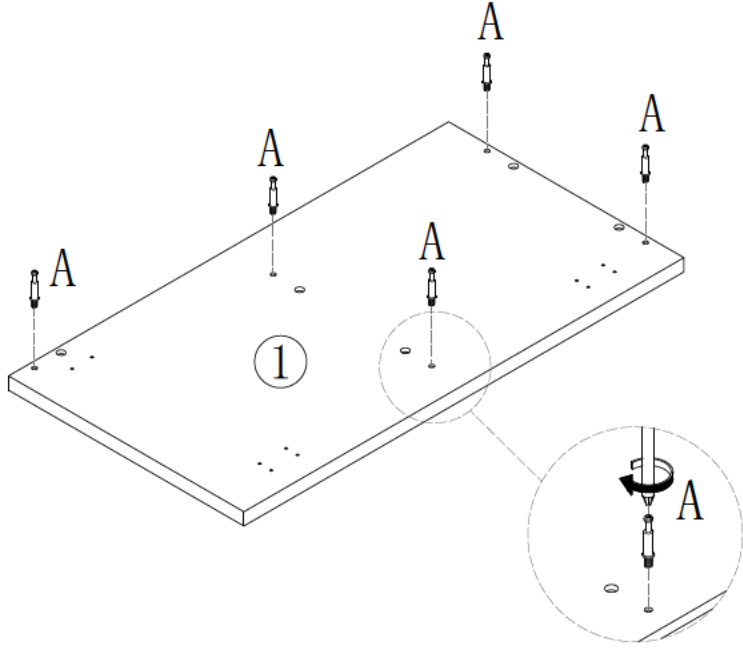
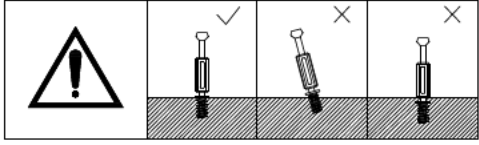
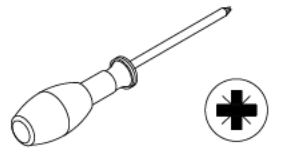
**TOOLS**



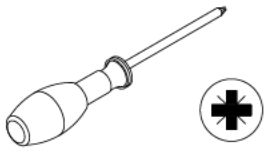


A * 16	B * 16	C * 24	D * 12	E * 12
				
M6 X 35mm	Ø15 x 12mm	Ø8 x 30mm	M4 x 14mm	M4 x 14mm
F * 6	G * 1	H * 1	I * 2	J * 2
				
M5 x 40mm	M4 x 20mm			Ø35
K * 2	L * 2	M * 2		
				
Ø8 x 40mm	Ø20	M6 x 60mm		

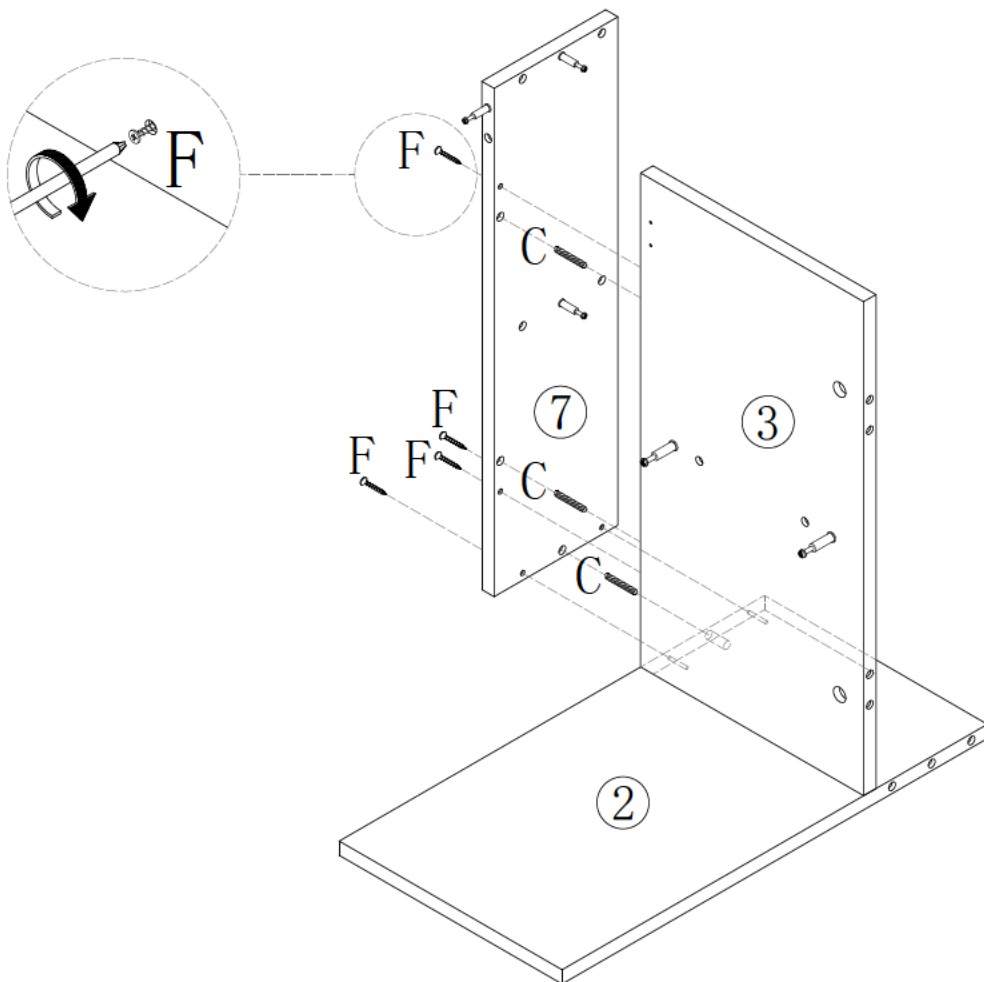
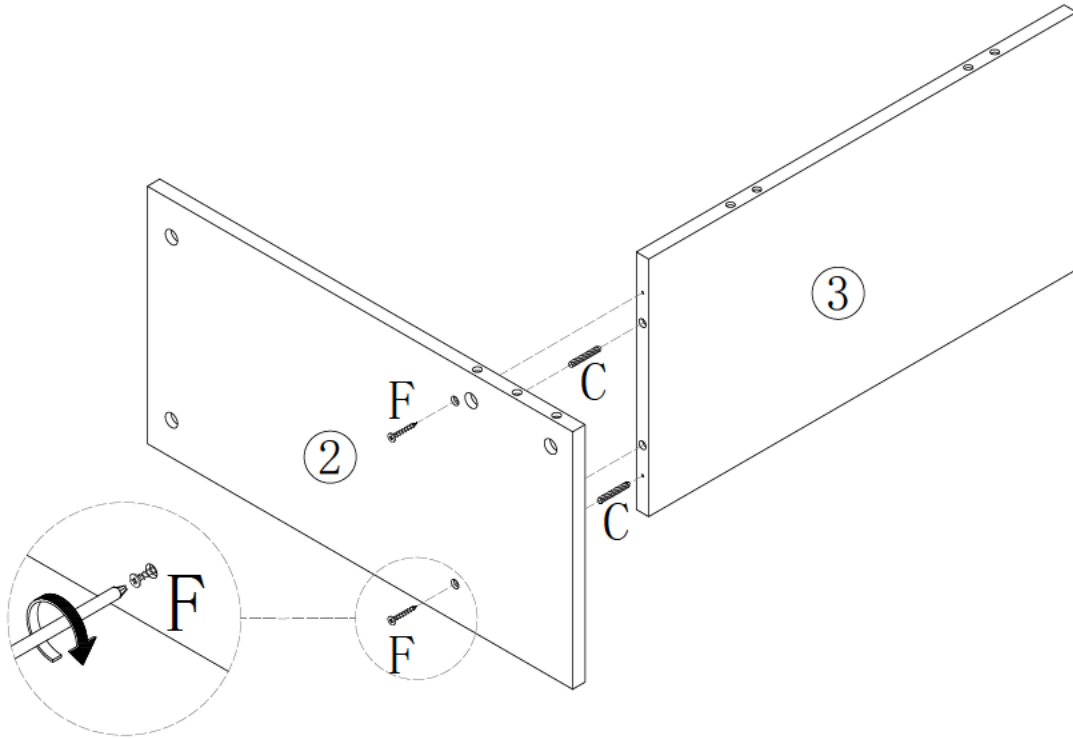
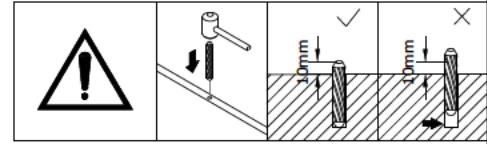
# Step 1

A * 16	E * 4	J * 2
		
M6 X 35mm	M4 x 14mm	Ø35



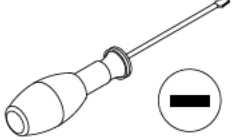


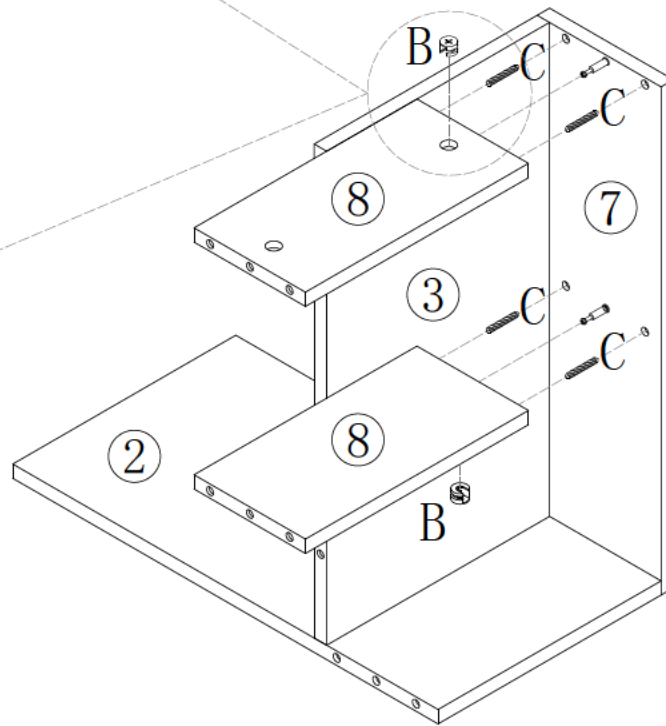
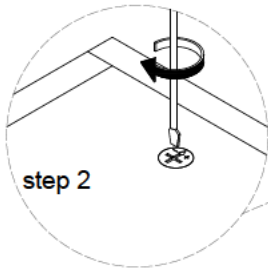
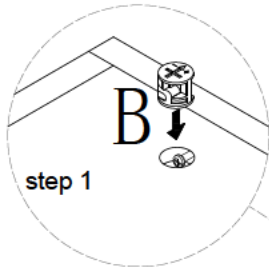
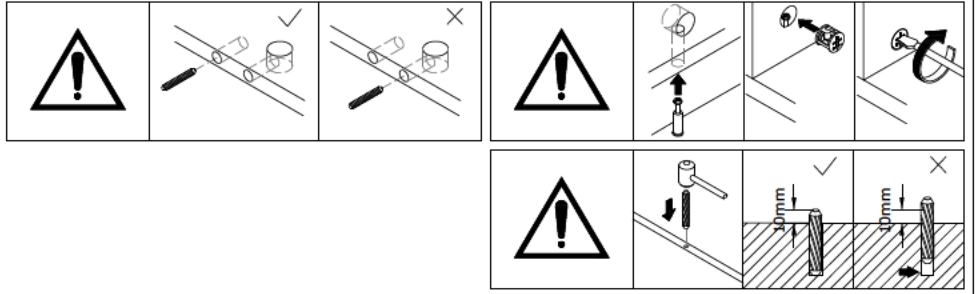
# Step 2

C * 5	F * 6	
 Ø8 X 30mm	 M5 X 40mm	





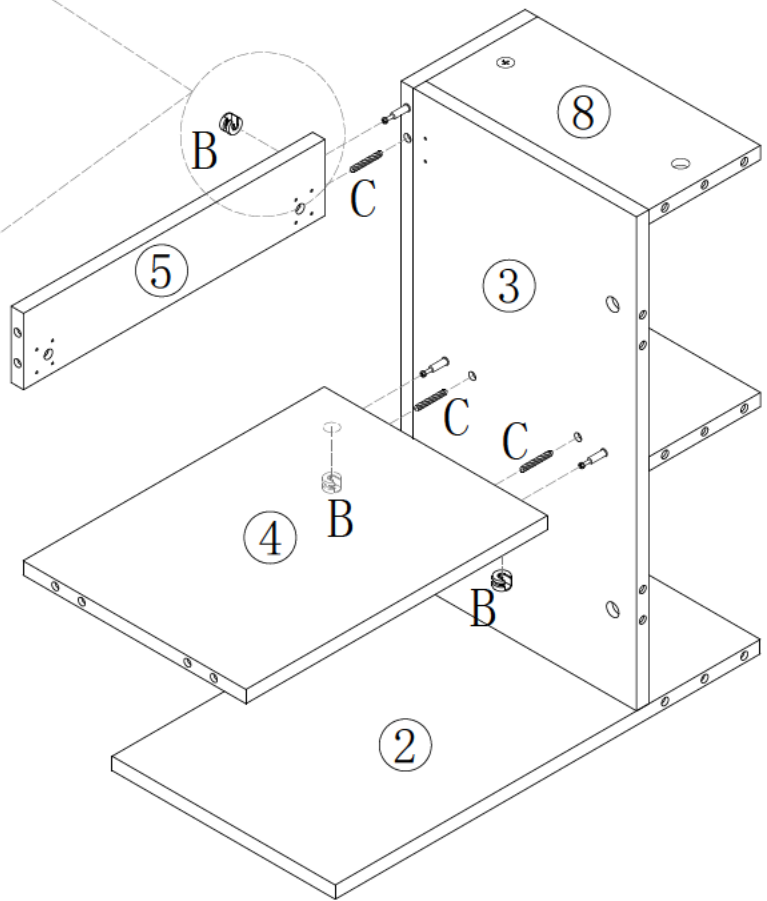
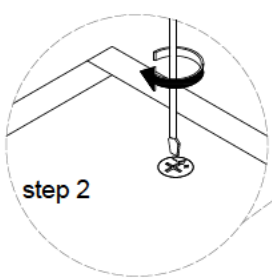
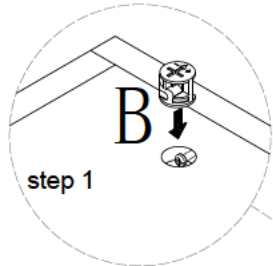
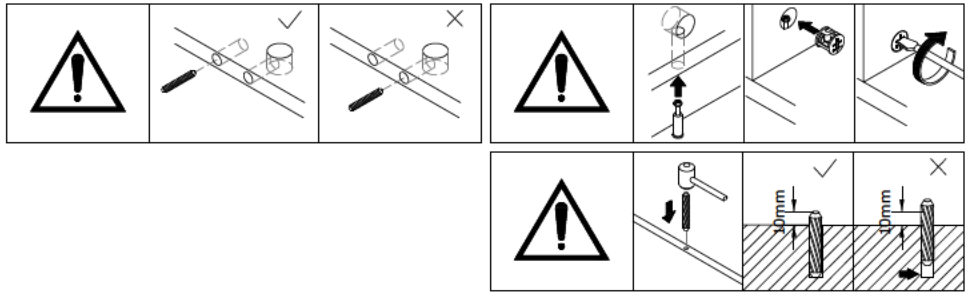
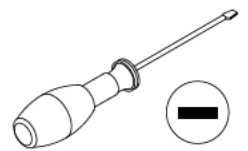
# Step 3

B * 2	C * 4	
 Ø15 x 12mm	 Ø8 x 30mm	

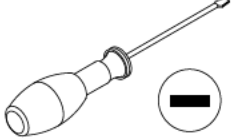

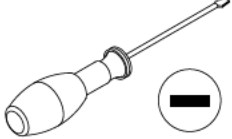


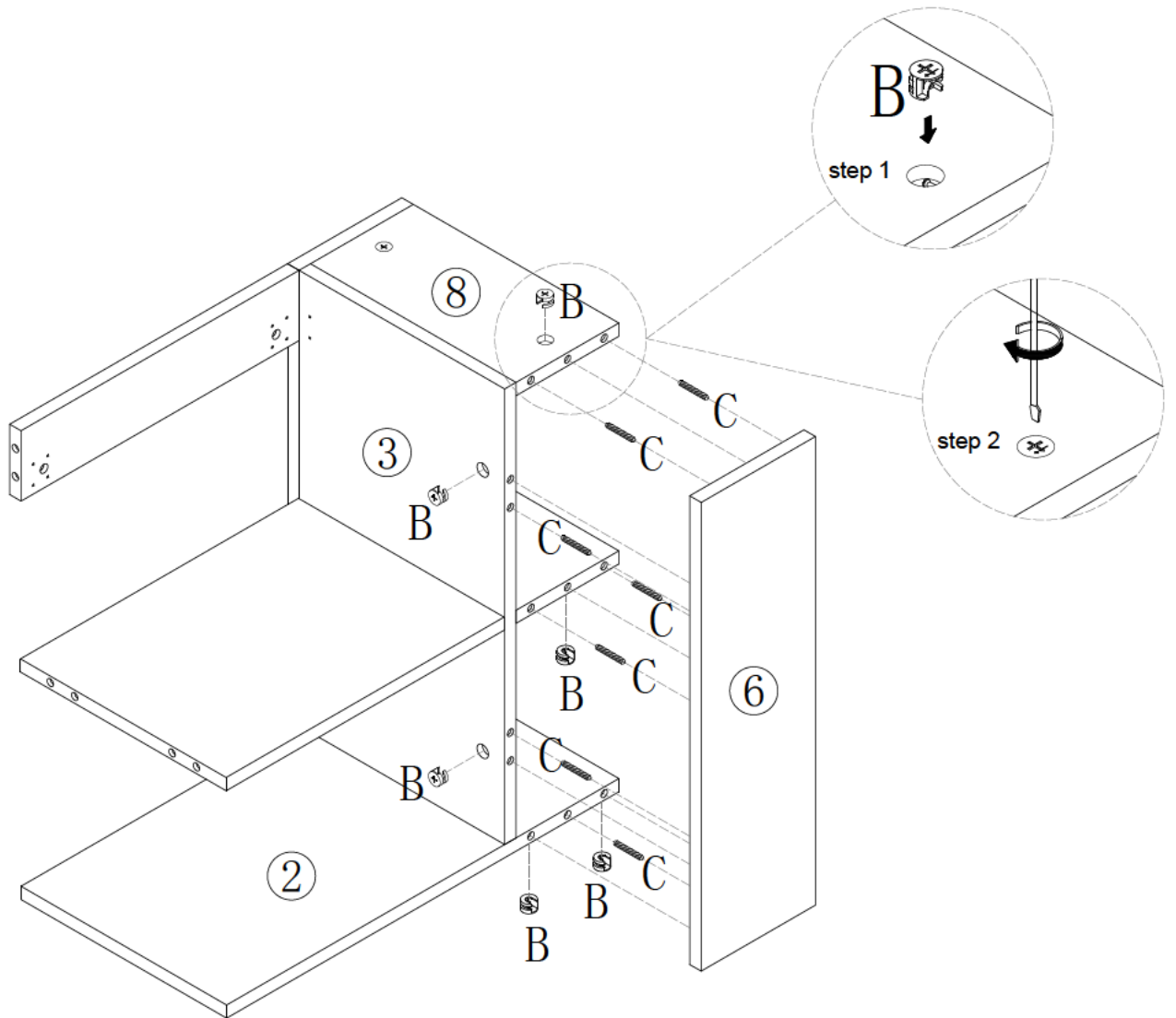
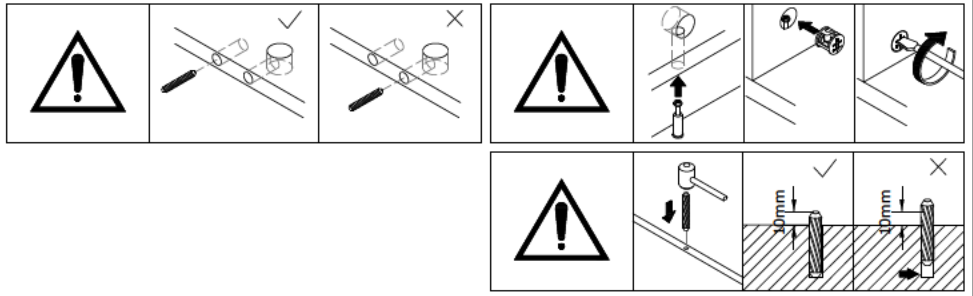
# Step 4

B * 3	C * 3
 Ø15 x 12mm	 Ø8 x 30mm





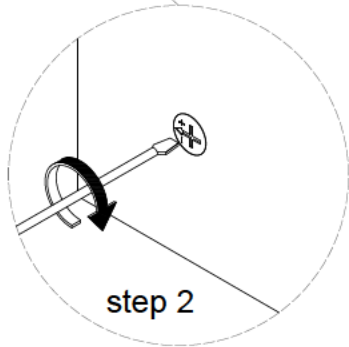
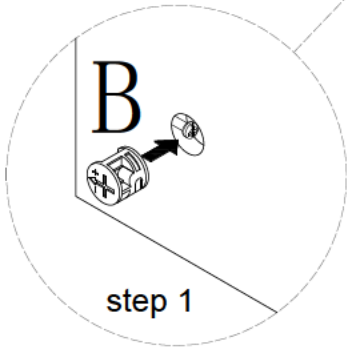
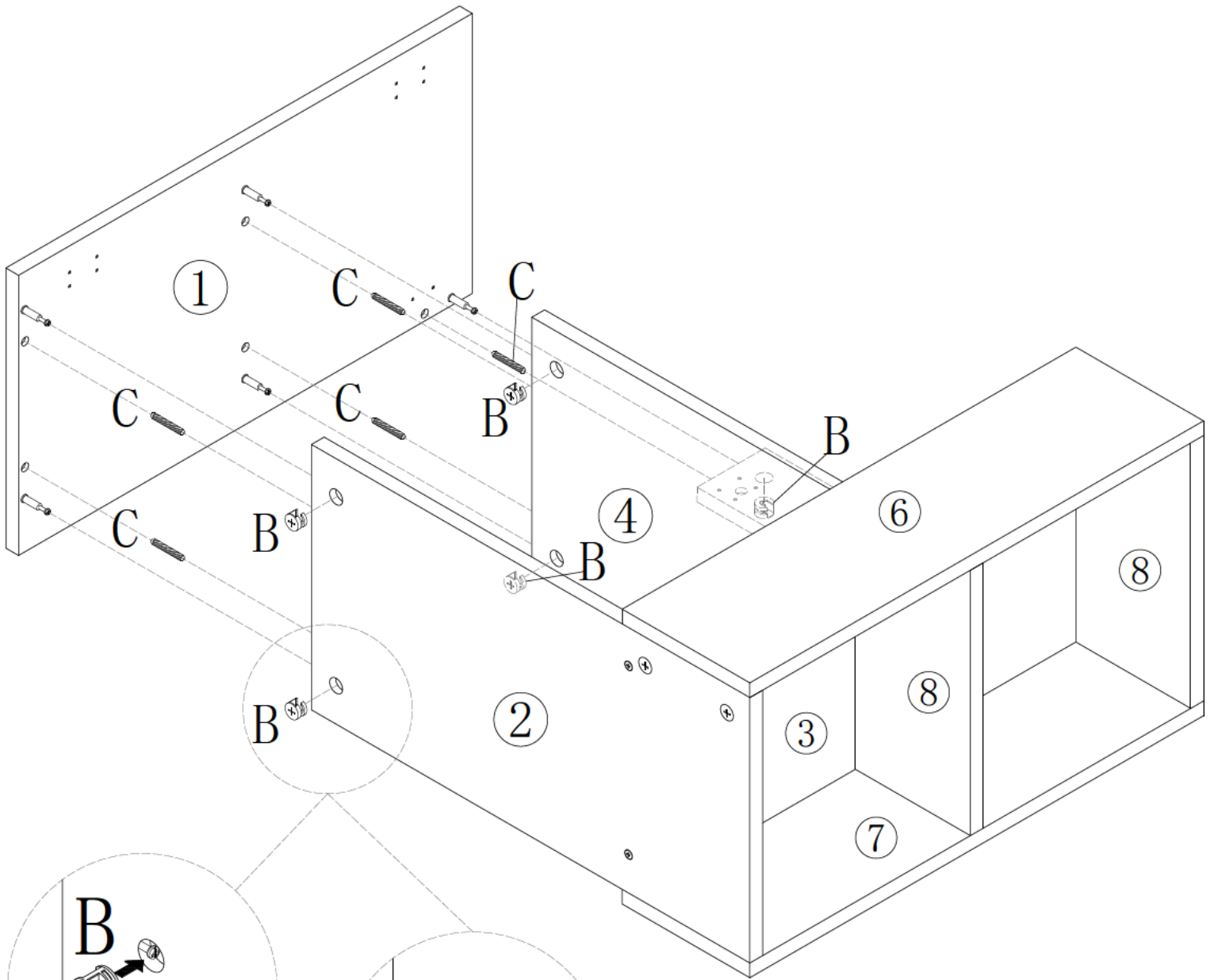
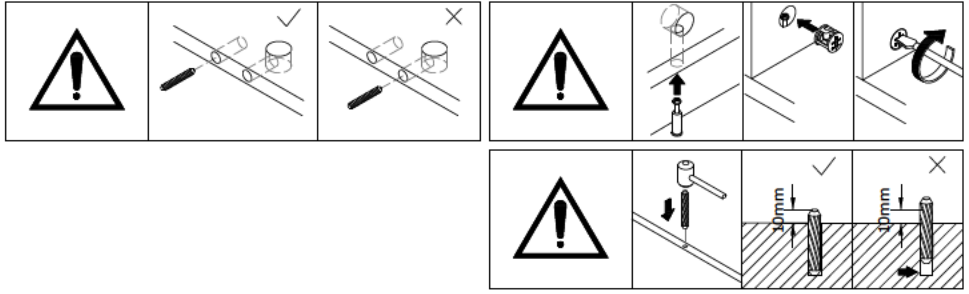
# Step 5

B * 6	C * 7	
 Ø15 x 12mm	 Ø8 x 30mm	





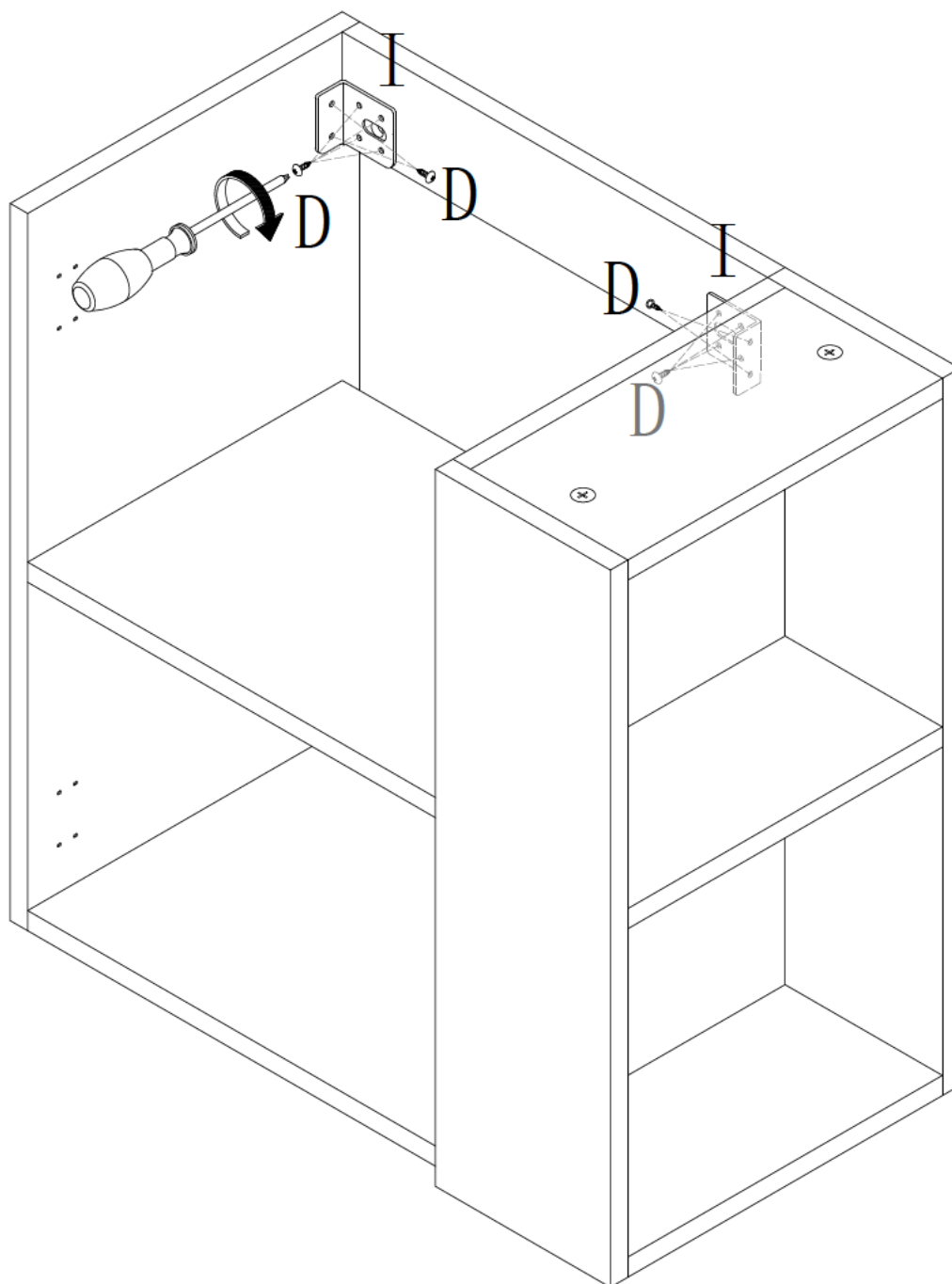
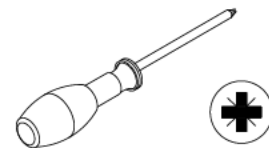
# Step 6

B * 5	C * 5	
 Ø15 x 12mm	 Ø8 x 30mm	

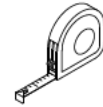


# Step 7

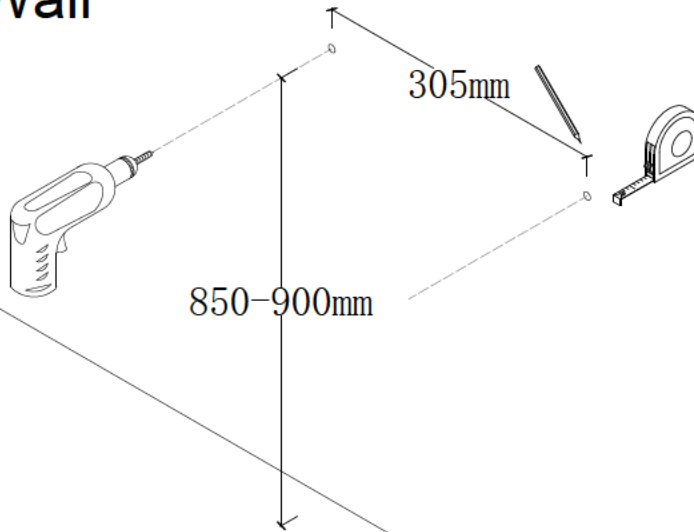
D * 12	I * 2
 M4 x 14mm	



# Step 8




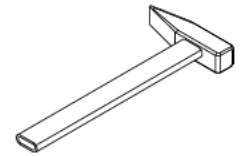
Wall



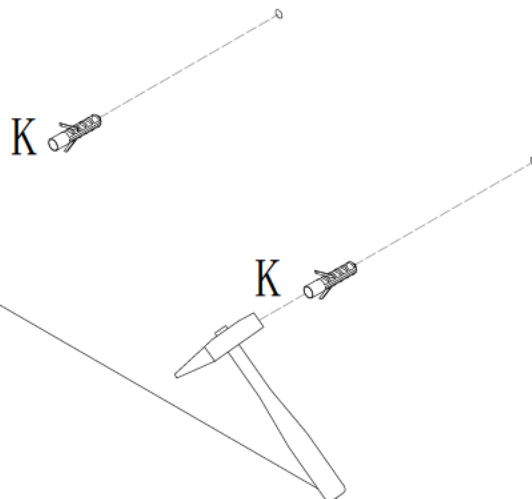
Please mark the location on the wall with a pencil, then punch the hole  
Recommended height, 85-90cm

# Setp 9



K * 2

Ø8 x 40mm

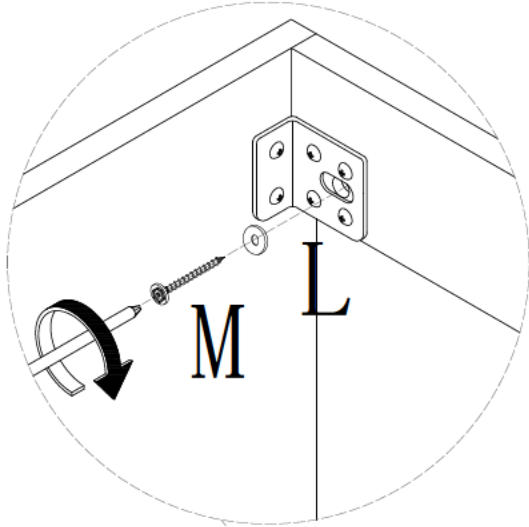
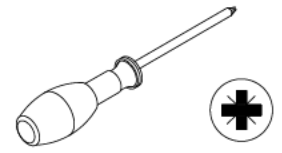


Wall

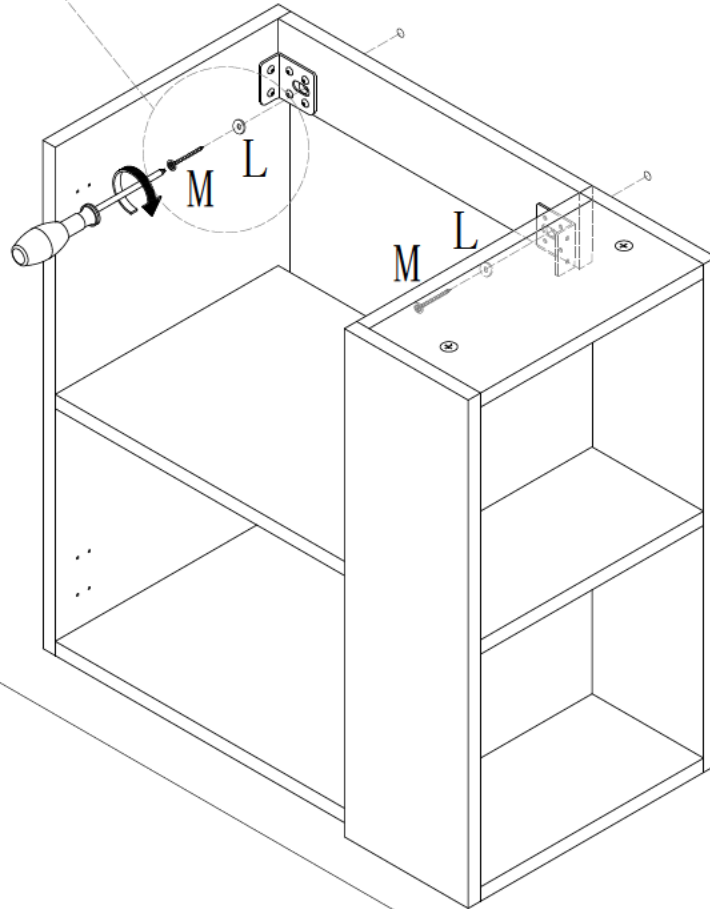


# Step 10




L * 2	M * 2
 Ø16	 M6 x 60mm

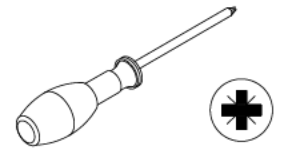


Wall

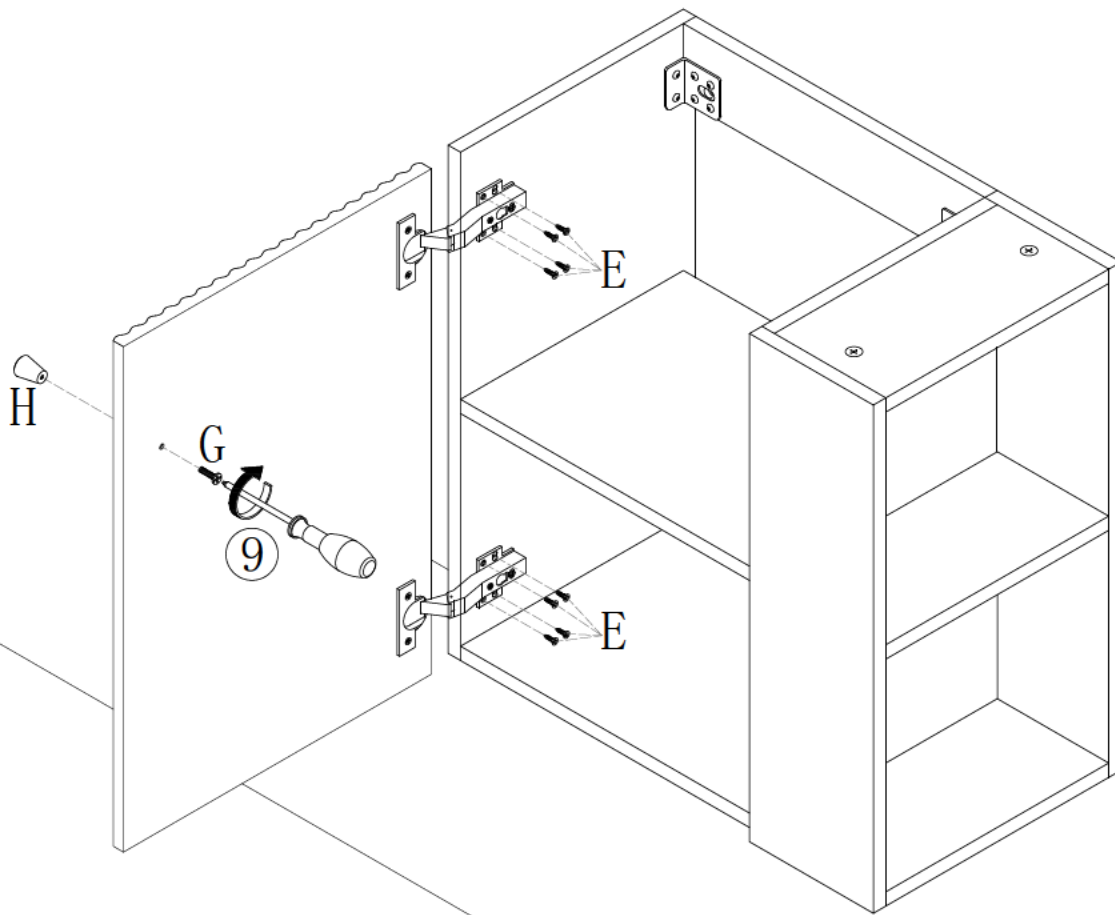


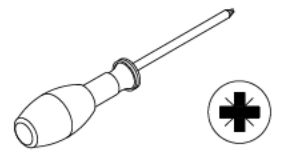
# Step 11

E * 8	G * 1	H * 1
 M4 x 14mm	 M4 x 20mm	

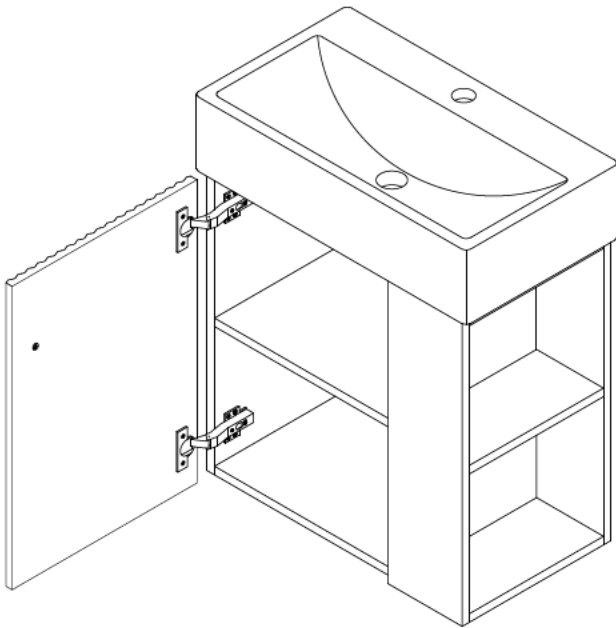


## Wall

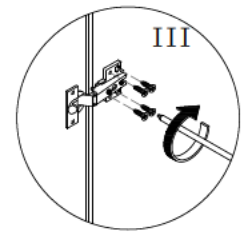
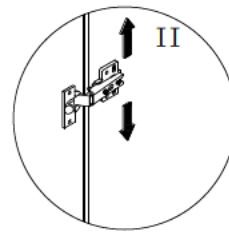
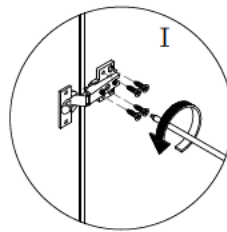




## Adjust door following the direction.



### Adjust the door up and down to match the cabinet.



I:loosen the screw.

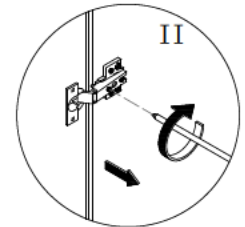
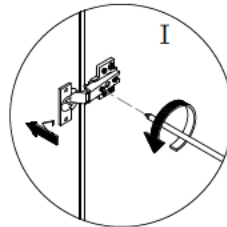
II:Adjust the upper and lower position.

II:tighten the screw.



**When the door position is not standard,please adjust the door according to the right picture.**

### Adjust the door left and right to match the cabinet for suitable crack of the door



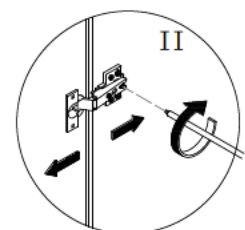
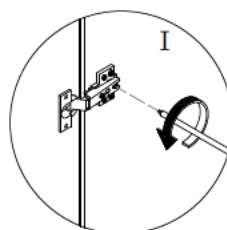
I:loosen the screw to keep hinge apply force toward the direction of arrow.

II:tighten the screw to keep hinge apply force toward the direction of arrow.



**Please place the cabinet on the flat floor before adjustment.**

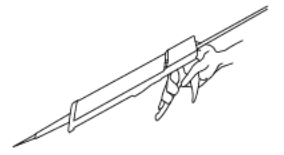
### Adjust the door backwards and forwards to match the cabinet.



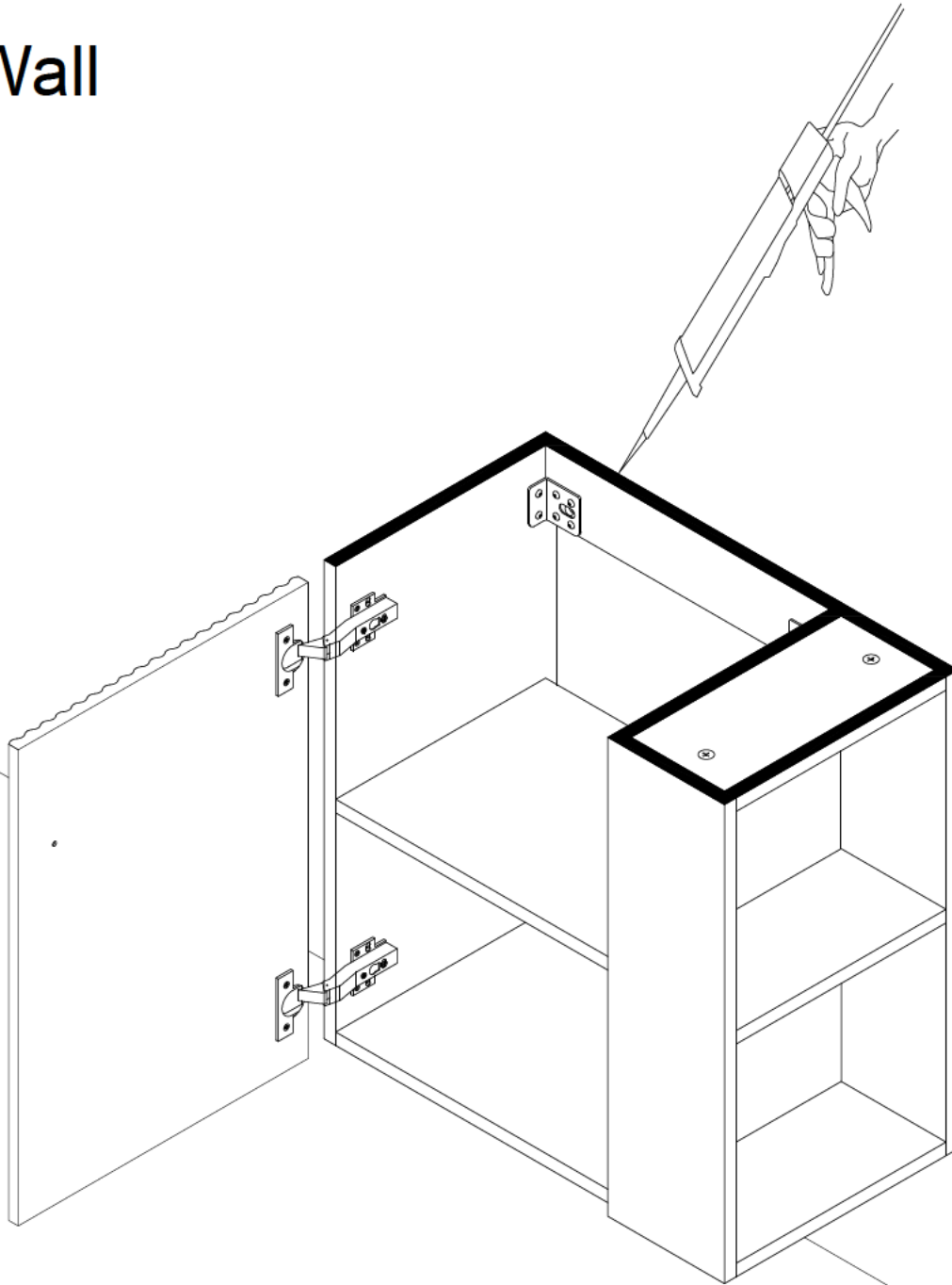
I:loosen the screw.

II:Adjust the distance between front and back.

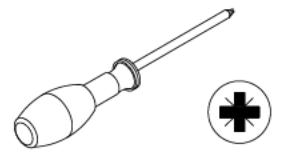
# Step 13



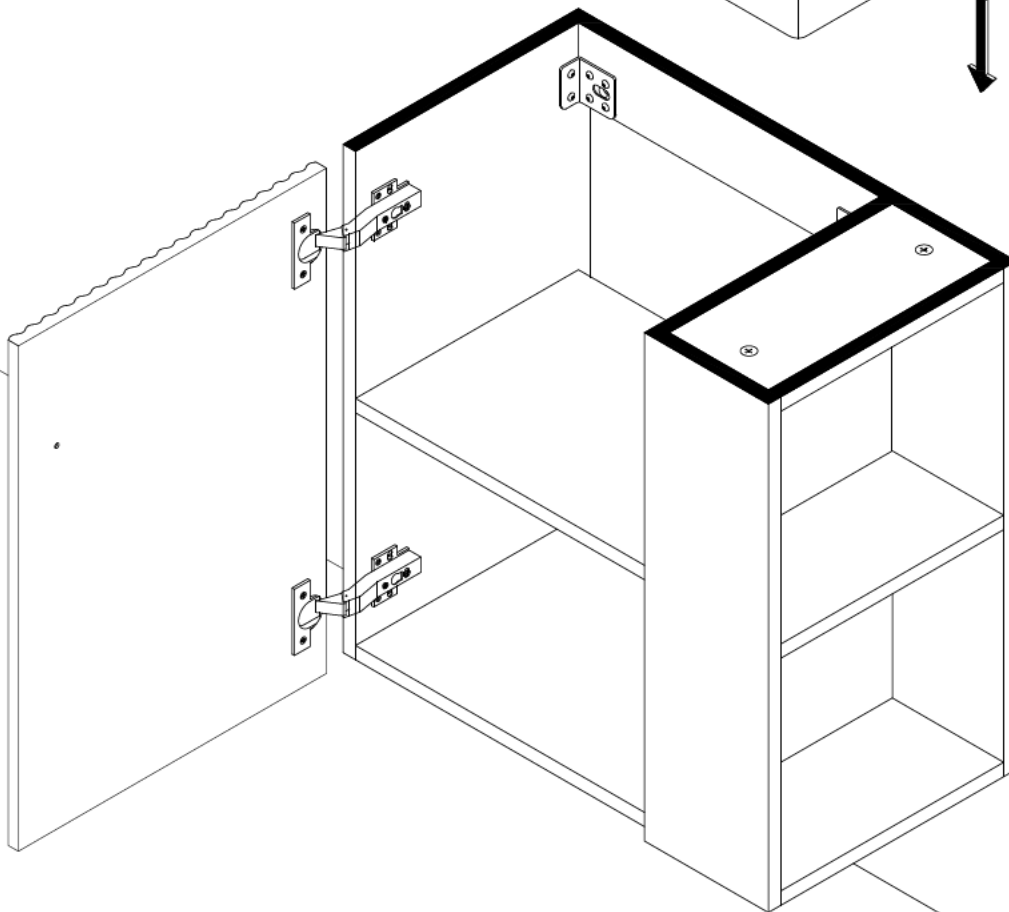
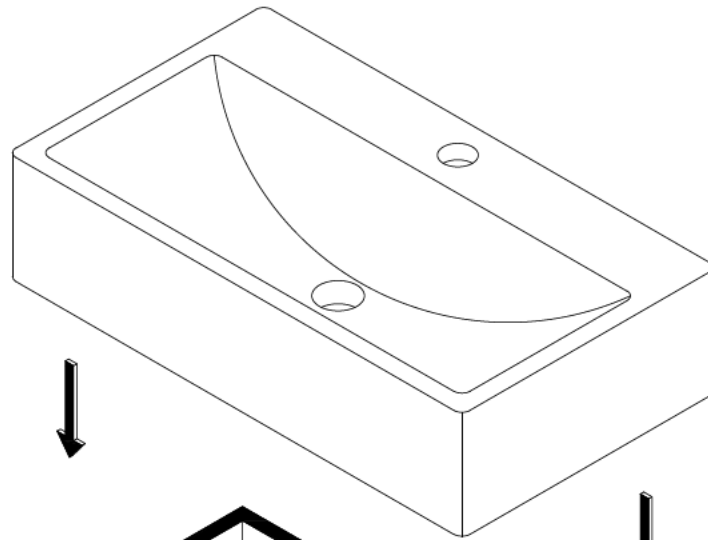
## Wall



# Step 14



Wall



# Step 15

