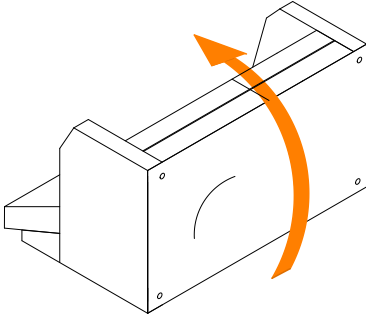


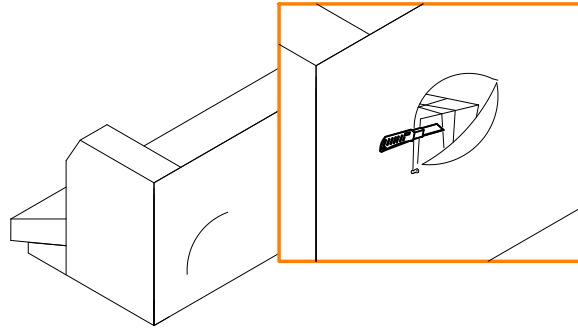
# Leg Assembly Instructions

**STEP**  
**1**



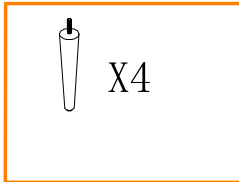
**STEP**  
**2**

Cut the strip inside and remove the package out.

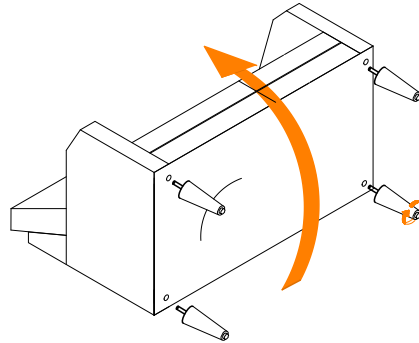


**STEP**  
**3**

Unpack the parts package.



**STEP**  
**4**



**STEP**  
**5**

