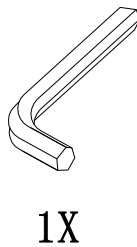
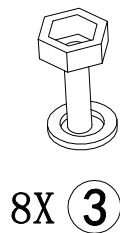
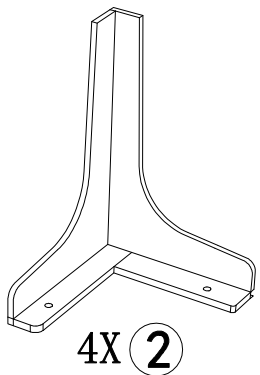
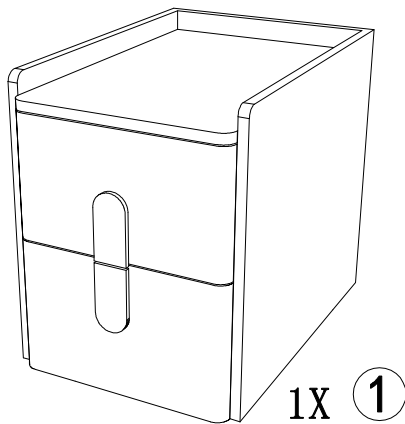


Installation instruction

Five Step to Put Together

1. Check whether the accessories are complete.
2. Clear hole positions and corresponding accessories.
3. Roughly understand the installation sequence.
4. Remove the protective film.
5. Do it!



Step 1

