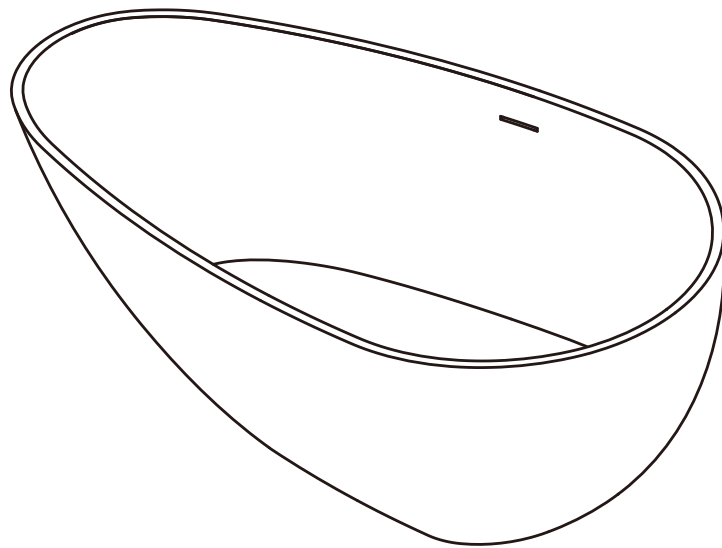


Bathtub Installation Instructions

(Solid Surface)



Applicable with Rainlex's solid surface bathtub



This bathtub manual must be given to the user along with the bathtub.
This warranty is only valid if installed by a professional installer following the steps in the instructions.

INDEX

1. cUPC Certification P01-06
2. Installation P07-12
3. Maintenance P13

As the product style is continuously updated, the actual product may not match the illustration, but the basic principle is the same.
After the installation is completed, this manual must be kept by the customer.

IAPMO RESEARCH AND TESTING, INC.

5001 E. Philadelphia Street, Ontario, CA 91761 • Phone (909) 472-4100 • Fax (909) 472-4244 • www.iapmort.org



CERTIFICATE OF LISTING



IAPMO Research and Testing, Inc. is a product certification body in which its product certification system includes inspection and testing of samples taken from the supplier's stock or from the market or a combination of both to verify compliance to the requirements of applicable codes and standards. This activity is coupled with periodic surveillance of the supplier's factory and/or warehouses as well as the assessment of the supplier's Quality Assurance System. This listing is subject to the conditions set forth in the characteristics below and is not to be construed as any recommendation, assurance or guarantee by IAPMO Research and Testing, Inc. of the product acceptance by Authorities Having Jurisdiction.

Issued To:

ZHEJIANG TONA HOME CO., LTD.

TINGSHAN YANJIANG TOWN, 317000 TAIZHOU , ZHEJIANG, CHINA

Product:

Bathtubs (Plastic)

Products are in compliance with the following code(s):

**Uniform Plumbing Code (UPC®)
National Plumbing Code of Canada**

Products are certified to the following standard(s):

CSA B45.5-17/IAPMO Z124-2017

File Number: 12054

Revised Date: November 1, 2022

Effective Date: December 2019

Void After: December 2024*


Chairman, Product Certification Committee




Chief Technical Service Officer

*This certificate is not evidence of current listing. To verify listing status, visit the IAPMO R&T Product Listing Directory at pld.iapmo.org

This listing period is based upon the last date of the month indicated on the Effective Date and Void After Date shown above. Any change in material, manufacturing process, marking or design without having first obtained the approval of the Product Certification Committee, or any evidence of non-compliance with applicable codes and standards or of inferior workmanship, may be deemed sufficient cause for revocation of this listing. Production of or reference to this form for advertising purposes may be made only by specific written permission of IAPMO Research and Testing, Inc. Any alteration of this certificate could be grounds for revocation of the listing. This document shall be reproduced in its entirety.

IAPMO RESEARCH AND TESTING, INC.

CERTIFICATE OF LISTING



Issued To: ZHEJIANG TONA HOME CO., LTD.

Effective Date: December 2019

File Number: 12054

Revised Date: November 1, 2022

Product: Bathtubs (Plastic)

Void After: December 2024

This certificate is not evidence of current listing. To verify listing status, visit the IAPMO R&T Product Listing Directory at pld.iapmo.org

Identification:

Product shall be marked with the manufacturer's name or registered trademark or, in the case of private labelling, the name of the customer for whom the fixture was manufactured. Markings shall be permanent, legible, and visible after installation. Fixtures that do not comply with one or more of the dimensional requirements shall be marked with an "N" to indicate the non-standard nature of the fixture. Bathtubs that use field-installed flanges shall have a non-permanent label stating "Do not install this fixture against a wall unless the appropriate flange is first installed". (The equivalent French wording is "Ne pas fixer cet appareil au mur a moins que la bride appropriée n'ait été préalablement installée"). The product shall also bear the cUPC® certification mark.

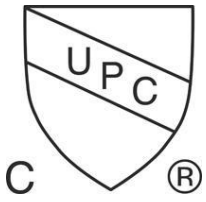
Characteristics:

Plastic bathtubs with or without walls and with right or left hand or center outlets to be installed in accordance with the manufacturer's instructions affixed to the unit and the requirements of the latest edition of the Uniform Plumbing Code®. Bathtubs without factory applied nailing flanges are listed as drop-in units only (except for free-standing bathtubs), and are not to be installed against the wall. Bathtubs intended for installation against a wall shall incorporate an integral, factory applied or field applied nailing flange in accordance with CSA B45.5/IAPMO Z124. Whirlpool piping is not included in this listing. To be installed with other IAPMO R&T listed pipe and fittings.

Products listed on this certificate have been tested by an IAPMO R&T recognized laboratory. This recognition has been granted based upon the laboratory's compliance to the applicable requirements of ISO/IEC 17025.

IAPMO RESEARCH AND TESTING, INC.

CERTIFICATE OF LISTING



Issued To: ZHEJIANG TONA HOME CO., LTD.

Effective Date: December 2019

File Number: 12054

Revised Date: November 1, 2022

Product: Bathtubs (Plastic)

Void After: December 2024

This certificate is not evidence of current listing. To verify listing status, visit the IAPMO R&T Product Listing Directory at pld.iapmo.org

Models

TONA

Model Number	Description	Dimension
9A150002W	Acrylic bathtub	1500*750*580
9A150005W	Acrylic bathtub	1500*750*580
9A150007W	Acrylic bathtub	1500*750*580
9A150021W	Acrylic bathtub	1500*800*580
9A170001W	Acrylic bathtub	1700*750*580
9A170002W	Acrylic bathtub	1700*800*580
9A170005W	Acrylic bathtub	1700*800*580
9A170007W	Acrylic bathtub	1700*800*580
9A170008W	Acrylic bathtub	1700*800*730
9A170016W	Acrylic bathtub	1700*800*600
9A170016WB	Acrylic bathtub	1700*800*600
9A170018W	Acrylic bathtub	1700*800*600
9A170018W1-T1	Acrylic bathtub	1700*800*600
9A170021W	Acrylic bathtub	1700*800*580
9A180028W1-T1	Acrylic bathtub	1800*830*600
9A180029W1-T1	Acrylic bathtub	1800*850*600
9A180058W1-T1	Acrylic bathtub	1800*800*600
9A150009W	Acrylic bathtub	1500*740*680
9A170009W	Acrylic bathtub	1700*800*680
9A170012W	Acrylic bathtub	1700*800*580
9A180058W	Acrylic bathtub	1800*800*600
9A150012W	Acrylic bathtub	1500*750*580
99150004W	Artificial stone bathtub	1500*1500*540
99170002W	Artificial stone bathtub	1700*800*580
99170003W	Artificial stone bathtub	1700*850*590
9A168032W		1680*750*580

IAPMO RESEARCH AND TESTING, INC.

CERTIFICATE OF LISTING



Issued To: ZHEJIANG TONA HOME CO., LTD.

File Number: 12054

Product: Bathtubs (Plastic)

Effective Date: December 2019

Revised Date: November 1, 2022

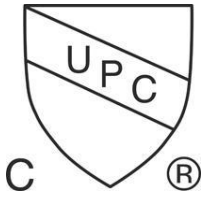
Void After: December 2024

This certificate is not evidence of current listing. To verify listing status, visit the IAPMO R&T Product Listing Directory at pld.iapmo.org

Model Number	Description	Dimension
9A168032WB		1680*750*580
9A150032W		1500*750*580
9A150032WB		1500*750*580
9A168033W		1680*800*580
9A168033WB		1680*800*580
9A150033W		1500*780*580
9A150033WB		1500*780*580
9A150035W		1500*750*580
9A170035W		1700*800*580
YM010-150004		1500*780*540
YM010-170004		1700*850*550
YM013-160004		1600*950*600
YM011-150004		1500*750*550
YM011-175004		1750*750*550
YM012-165004		1650*750*550
YM016-170004		1700*850*540
YM018-170004		1700*750*550
YM015-160004		1600*750*550
YM015-170004		1700*750*550
YM017-160004		1600*850*550
YM017-170004		1700*850*550
YY037-140001		1400*780*720
YY037-150001		1500*780*720
YY037-160001		1600*800*720
YY037-170001		1700*800*720
YY037-140002		1400*780*720
YY037-150002		1500*780*720
YY037-160002		1600*800*720
YY037-170002		1700*800*720

IAPMO RESEARCH AND TESTING, INC.

CERTIFICATE OF LISTING



Issued To: ZHEJIANG TONA HOME CO., LTD.

File Number: 12054

Product: Bathtubs (Plastic)

Effective Date: December 2019

Revised Date: November 1, 2022

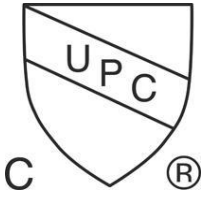
Void After: December 2024

This certificate is not evidence of current listing. To verify listing status, visit the IAPMO R&T Product Listing Directory at pld.iapmo.org

Model Number	Description	Dimension
YY038-150001		1500*790*590
YY038-160001		1600*790*590
YY038-170001		1700*790*590
YY038-150002		1500*790*590
YY038-160002		1600*790*590
YY038-170002		1700*790*590
YY061-140001		1400*720*580
YY061-150001		1500*730*580
YY061-160001		1600*730*580
YY061-170001		1700*750*580
YY061-140002		1400*720*580
YY061-150002		1500*730*580
YY061-160002		1600*730*580
YY061-170002		1700*750*580
YY036-150001		1500*750*580
YY036-160001		1600*750*580
YY036-170001		1700*750*580
YY036-150002		1500*750*580
YY036-160002		1600*750*580
YY036-170002		1700*750*580
YY034-150001		1500*780*680
YY034-170001		1700*780*680
YY034-150002		1500*780*680
YY034-170002		1700*780*680
YY041-150001		1500*800*580
YY041-170001		1700*800*580
YY041-150002		1500*800*580
YY041-170002		1700*800*580

IAPMO RESEARCH AND TESTING, INC.

CERTIFICATE OF LISTING



Issued To: ZHEJIANG TONA HOME CO., LTD.

Effective Date: December 2019

File Number: 12054

Revised Date: November 1, 2022

Product: Bathtubs (Plastic)

Void After: December 2024

This certificate is not evidence of current listing. To verify listing status, visit the IAPMO R&T Product Listing Directory at pld.iapmo.org

Additional Company Information

CANAC-MARQUIS GRENIER LTEE

Trade Mark: TASSILI®

Model Number	Description
33002594	1680X750X580
33002503	1500X750X580



Precautions Before and After Installation

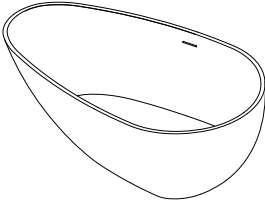
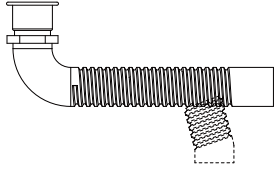
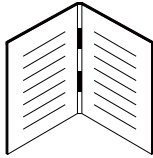
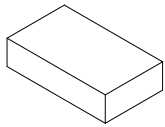
1. Please check the product for completeness and possible damage immediately after receiving the goods (see the parts list on page 02 for details).
2. Inform your dealer immediately if any damage occurs, we are not responsible for any damage incurred during or after installation.
3. Please check the door width before starting work, and whether the purchased bathtub can safely pass through the door of the room where the bathtub will be installed.
4. Only use the transport straps to lift/move the tub, be careful not to use hoses or mounting parts.
5. Do not lay any circuit under the bathtub. Please use a suitable protective cover during installation to avoid damage to the product surface or internal blockage due to falling debris or dust during installation.
6. Check the waterproofness of the bathtub. After connecting the water supply and drainage pipes, you must test the water in the bathtub to check whether there is any water leakage.
7. Special precautions:
 - When cleaning the tiles, please ensure that no ammonia or similar aggressive cleaning agents come into contact with the installed parts.
 - Artificial stone bathtub in use, need to consider the relative temperature difference between water temperature and ambient temperature, can not be in the very cold areas suddenly add high temperature water (preferably less than 50 °C), otherwise easy to cause damage to the product due to thermal stress.

Note: We reserves the right to modify or change this product without prior notice.

Parts List



After unpacking, please confirm the parts and quantity according to the following contents.

Product Name	Bathtub	Side Drain Fittings	Installation Instructions	Sanding -sponge
Quantity	1	1	1	1
Schematic Diagram				

Installation Requirements

A. Required tools

- Wrench
- Scale
- Spirit level
- Safety shoes
- Square ruler
- Screwdriver
- Pliers
- Utility knife

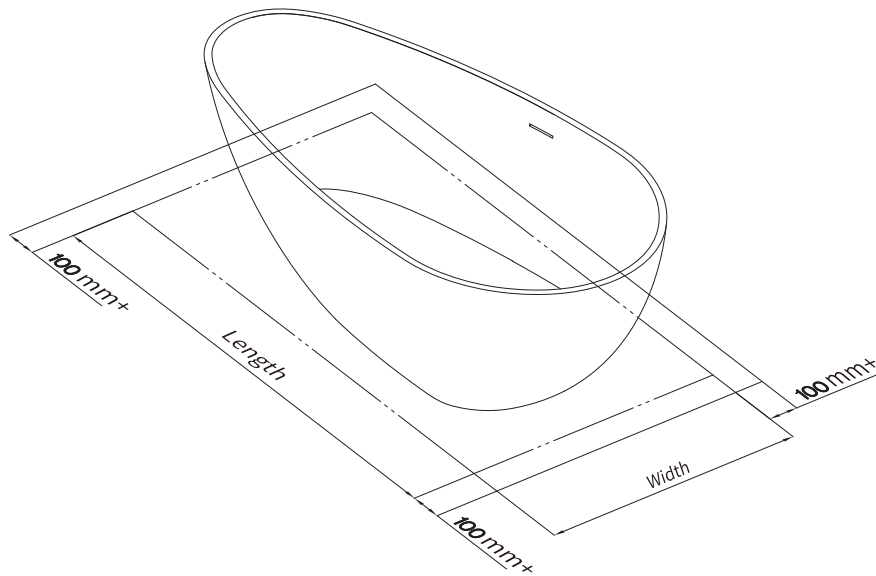
B. Required Materials

- Plumbing putty
- Wall protector
- Sealing silicone

Installation Steps

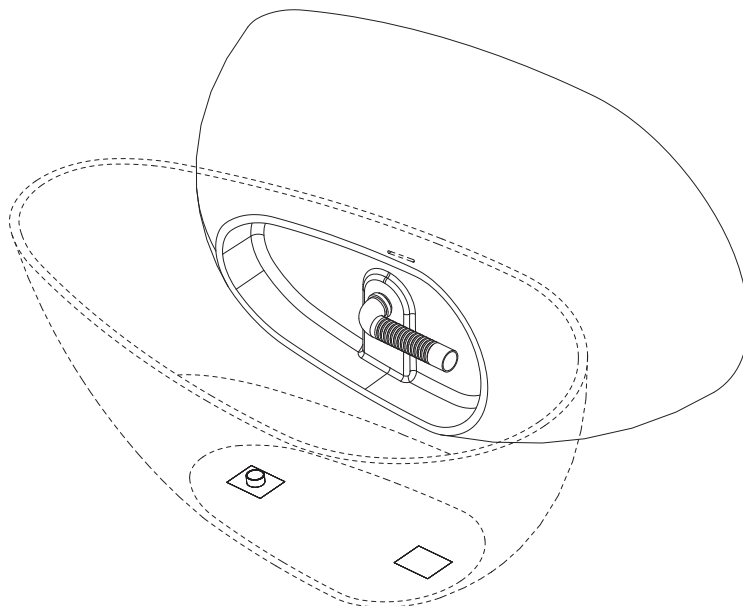
⚠ Bathtub installation preparation

Please ensure a space 100mm larger than the product size of the bathtub, and determine the installation position of the bathtub.

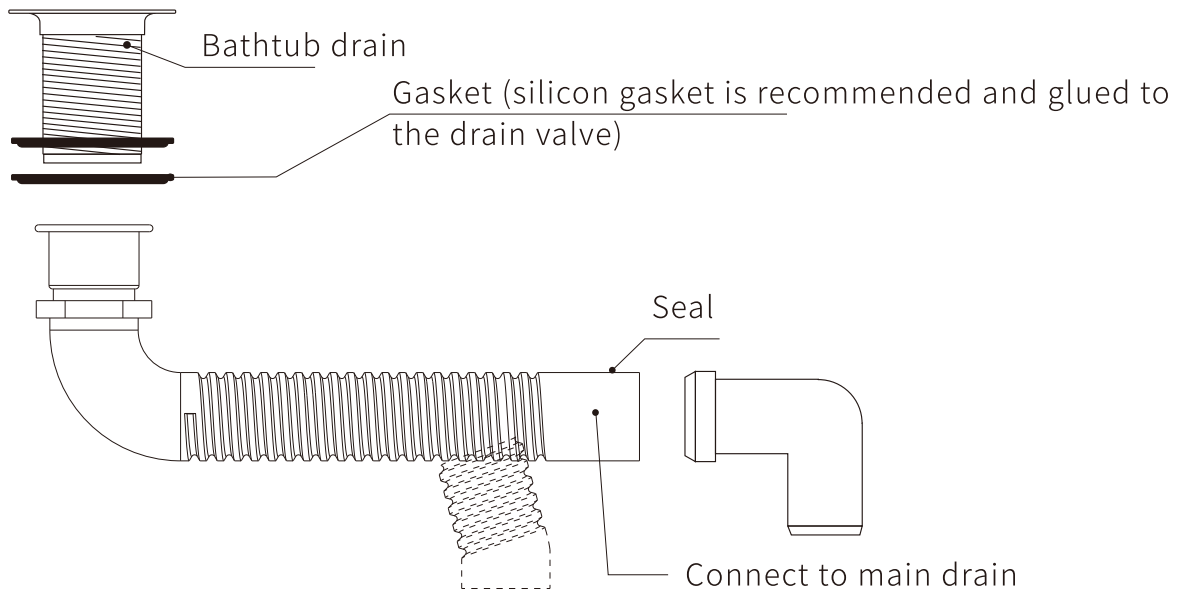


⚠ Bathtub installation

Put the side of the bathtub on the soft pad (as shown in the picture) and connect the drain pipe. After installation, fill with water to check if the seal is good.

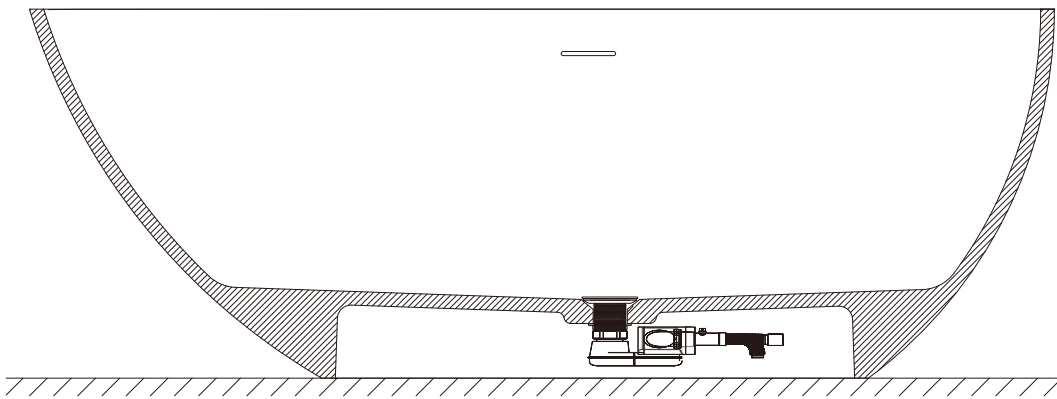


Installation Steps

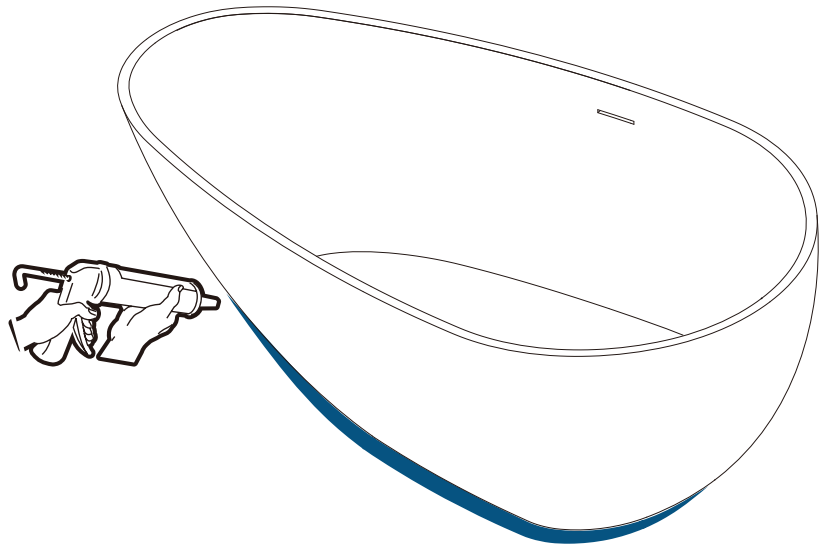


! Fix the Bathtub

Fix the base to the floor with silicone until the tub is level as a whole (overhanging parts can be filled with silicone or cement). Let it cure for 24 hours before proceeding with other construction.



Installation Steps



Clean up

After the installation, please clean the floor, and finally clean the bathtub with a rag dipped in a neutral detergent.

After-sales and guarantee

Free maintenance policy

1. During the warranty period, if the user correctly follows the instructions of the installation manual and uses the products of the company, the company will repair the faulty products free of charge.

2. If the damage occurs within the warranty period and needs to be repaired free of charge, please entrust the installation company with this warranty and purchase invoice.

3. During the warranty period, the maintenance of the occasions listed below is not within the scope of free maintenance.

- Faults and damages caused by improper use or unauthorized repair and modification.
- Faults and damages caused by inattention or negligence during installation and construction.
- Faults and damages caused by using this product outside the scope of use.
- Damage caused by sand or dirt.
- Dirty, rusted plating parts, etc. caused by improper daily maintenance
- Failure and damage due to fire, earthquake, flood, lightning strike, and other natural disasters, public hazards, gas hazards (liquefied gas), salt damage, abnormal voltage, and use of an unspecified power supply.
- Occasions not specified in this warranty.
- When the user's name, installation company, and purchase date are not filled in this warranty. When the purchase receipt cannot be presented.

4. This warranty will not be replaced if it is lost, please keep it properly.

HOW TO MAINTAIN SOLID SURFACE



1. Water stain, blot

- Clean with damp cloth and wipe dry.
- Most Dirt & Residue: Use soapy water or ammonia based cleaner, rinse and wipe dry.
- If residue persists, repeat process. If residue still persists, please see directions for removing scratches.
- Occasionally wipe surface with a household bleach dilution (50 parts water/1 part bleach). Rinse basin or bathtub thoroughly with water and wipe dry.

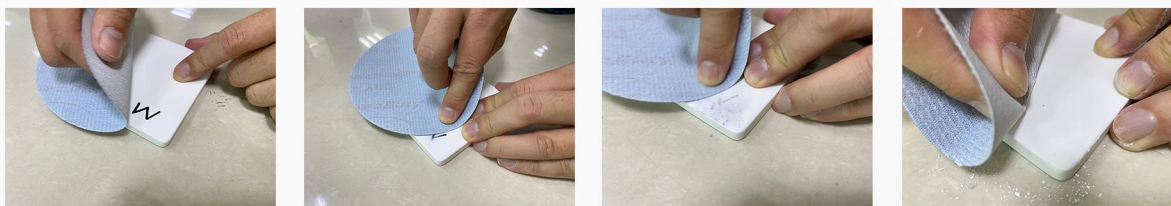


2. Scratch, stubborn stain

- In most cases stone resin can be repaired if damaged. However, be sure to follow these steps to prevent any permanent damage to the stone resin.
- 1. Avoid exposing stone resin to strong chemicals, such as nail polish, nail polish remover, hair dyes etc. If contact occurs, quickly flush the surface with water.
- 2. Do not cut directly on solid surfaces.
- 3. Boiling water alone will not damage your stone resin basin. However, running your faucet while pouring boiling water into your basin will damage it.

Because the beauty of stone resin goes all the way through, stone resin is completely renewable. You can remove minor cuts and scratches by following these instructions.

1. Begin with a fine grit sanding pad to remove the scratch (approximately 400-600 grit). Rub over scratch in a straight line (not circular motion) to remove it. Periodically switch rubbing direction 90°. Be sure the entire scratch is removed and shape appropriately to match the surrounding area. If this first step takes too long, try the next heaviest grit sanding pad. To minimize dust during sanding, wet the surface. Rinse pad periodically to clean residue.



2. Clean surface with water. Select the next finest grit until desired gloss level is achieved. For matte, you should be ending at about 600 grit. For matte gelcoat, you should end at 1000 grit. For glossy you should end at about 2000-3000 grit.