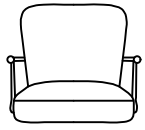


ASSEMBLY INSTRUCTIONS

Plath Desk Chair

Components



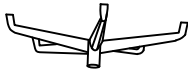
A
x1



B
x1



C
x1



D
x1



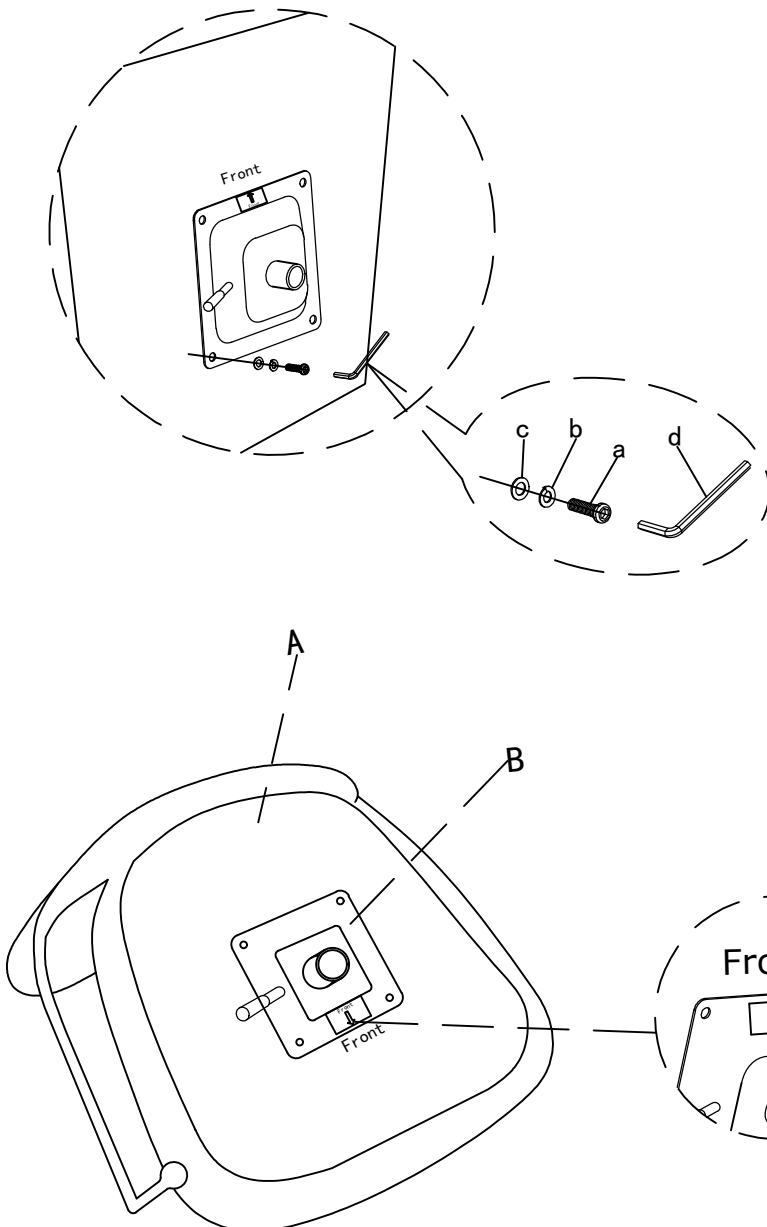
E
x5

Hardware List

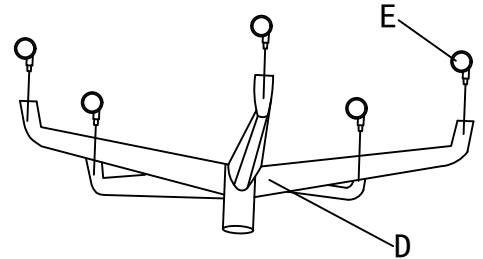
a		Hex Bolt	M8X30	4pcs
b		Spring Washer	M8X13X2	4pcs
c		Flat Washer	M8X17X1	4pcs
d		Allen Key	8mm	1pcs

Assembly Steps

step-1



step-2



step-3

