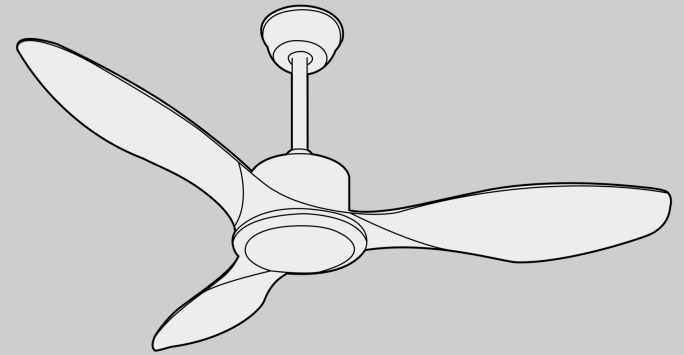


# CEILING FAN



## CONTACT INFORMATION

We want to hear your voice! Feel free to touch base if you encounter any issue when using our product(s) or want to know more about our brand. We will be more than happy to provide top-notch pre-sales & after-sales service 24/7.

<b>SAFETY INFORMATION</b>	01
<b>PRE-INSTALLATION</b>	03
<b>INSTALLATION INSTRUCTION</b>	05
<b>OPERATION INSTRUCTION</b>	13
<b>SPECIFICATIONS</b>	14
<b>TROUBLESHOOTING</b>	15

# **SAFETY INFORMATION**

Please read all safety information and instructions before installing the ceiling fan and save this manual for future reference.



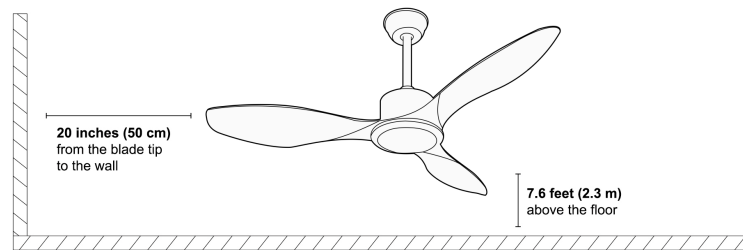
## SAFETY INFORMATION



### WARNING

- Before connecting the power supply, make sure that the power supply used matches the specifications of the ceiling fan.
- All wiring must comply with national and local electrical codes ANSI/NFPA70. If you are not familiar with wiring, please use a qualified electrician.
- To reduce the risk of fire or electric shock, turn off the power to the fuse box or circuit breaker before installing the fan.
- To reduce the risk of personal injury, attach the fan directly to the building's support structure and ensure that it can accept at least 35 pounds (15.9 kg).
- Make sure that the installation location allows the fan blades to rotate without obstacles.

### Installation Location

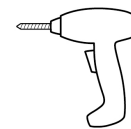


### WARNING

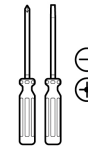
- Do not install the fan with wet hands.
- Do not insert foreign objects between the rotating fan blades.
- Do not bend the fan blades when installing or cleaning the fan.
- Do not disassemble or modify this product or use non-original parts without permission.
- Keep children away from your working area.
- Properly dispose of the fan's packaging material.
- Make sure the ceiling fan is firmly secure to the ceiling. Double check all connections before you restore power.
- Turn off the fan and wait for the blades to stop completely before performing any maintenance or cleaning.

## PRE-INSTALLATION

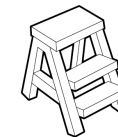
### Tools Required (Not Included)



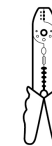
Power Drill



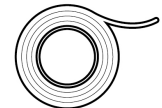
Screwdriver



Step Ladder



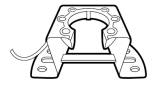
Wire Stripper



Electrical Tape



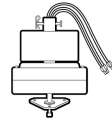
## Parts List



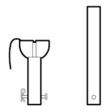
Mounting Bracket X 1



Canopy X 1



Motor X 1



Downrod X 2 (5.9"/9.8")



Coupling Cover X 1



Cover X 1



Self-tapping Screw X 4



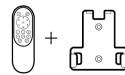
Blade Screw + Gasket X 7



Remote Bracket Screw X 2



Expansion Bolt X 2



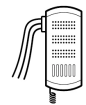
Remote Control + Bracket X 1



Fan Blade X 3



Balance Kit X 2

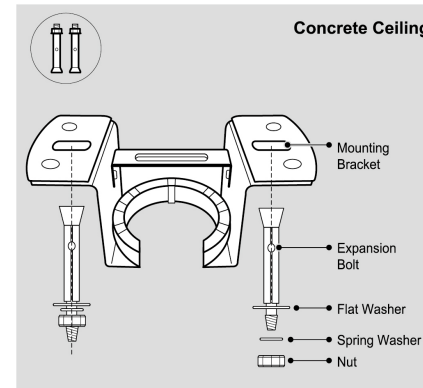


Receiver X 1

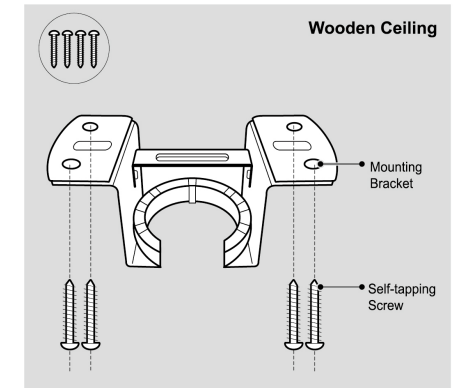


## INSTALLATION INSTRUCTION

### Step 1: Mounting Bracket Installation



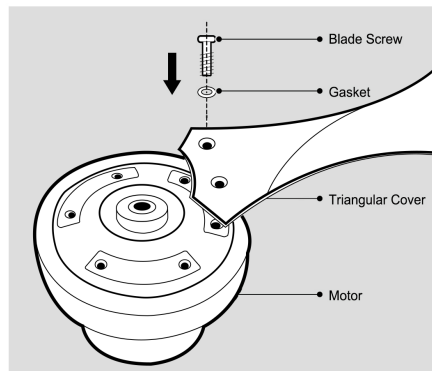
1. Drill holes with electric drill ( $\varnothing 8$  mm).
2. Use expansion screws to fix the mounting bracket to the ceiling.



Fasten the mounting bracket to the ceiling with self-tapping screws.



## Step 2: Fan Blade Installation

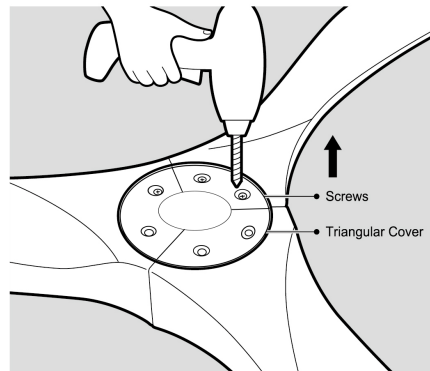


- 1 Clamp the fan blade under the triangular cover and fix the fan blade to the motor with screws and gaskets.

### Note:

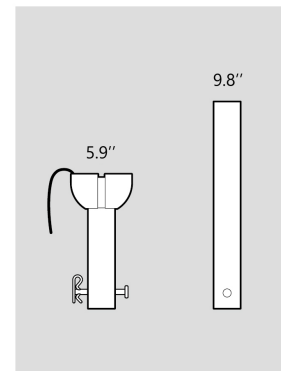
- The fan blade needs to be aligned with the "center" position of the screw hole group.
- Do not lock the screws when installing the blades and then tighten all the screws after all the fan blades are installed.

06

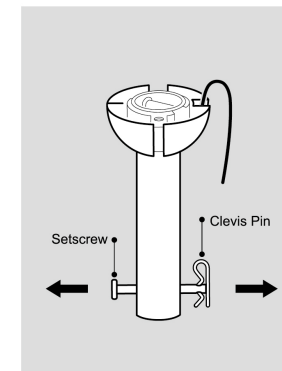


- 2 Loosen the screws of the upper triangular cover of the motor with an electric drill.

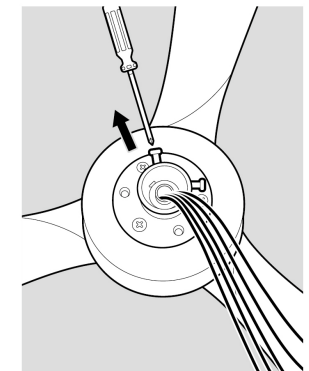
## Step 3: Downrod Installation



- 1 Lengths are available 5.9"/9.8"



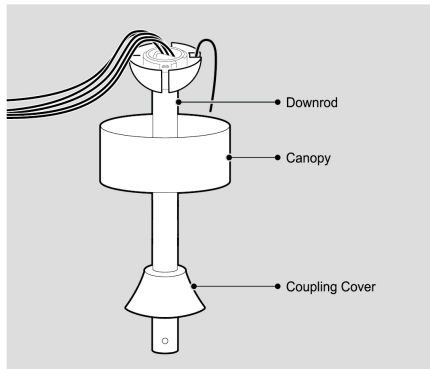
- 2 Take off the setscrew and clevis pin on the downrod.



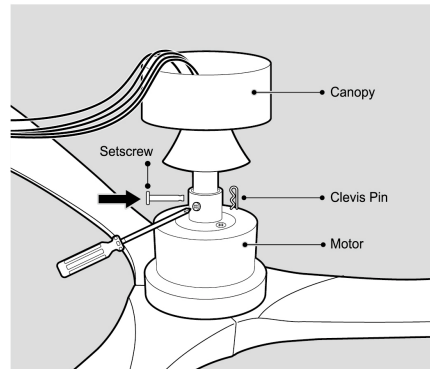
- 3 Loosen the screws on the motor, and do not take them out completely.



07



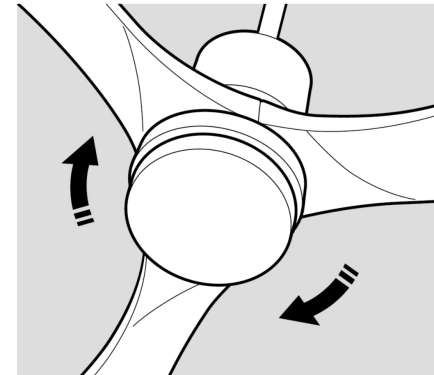
4 Assemble the canopy, and coupling cover to the downrod turn



5 Thread the motor wire through the lower pull rod, lock the setscrew with the clevis pin, and tighten the motor screw.



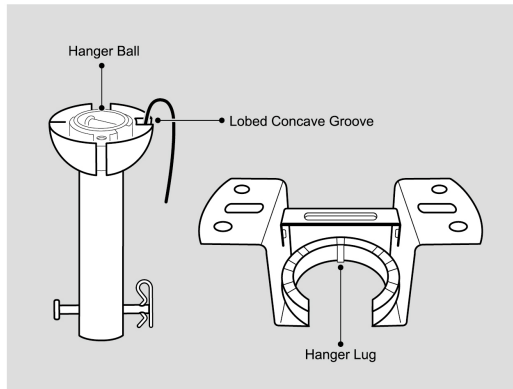
Step4:Spin Forward to tighten the cover



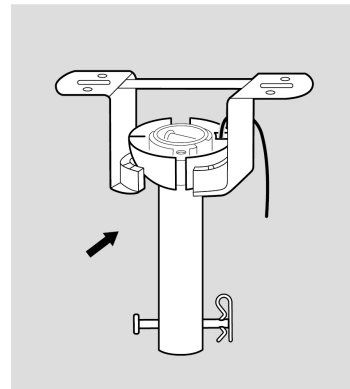
6 Spin forward to tighten the cover



### Step 5: Installation of the Assembled Fan



- 1 Lift the assembled fan onto the mounting bracket.

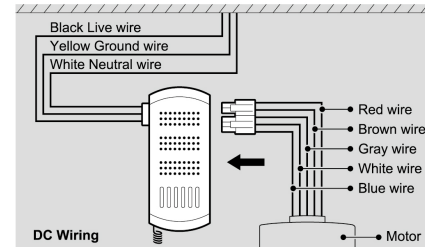


- 2 Ensure the concave groove of the hanger ball is positioned on the hanger lug of the mounting bracket.

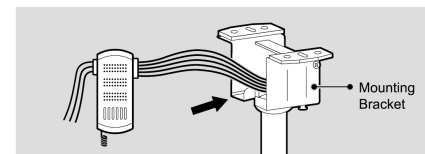


### Step 6: Wiring Instruction

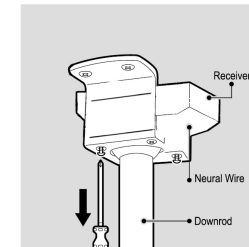
**⚠** Shut off the power to the fuse box or circuit breaker before wiring.



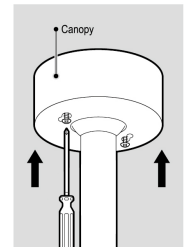
- 1 The receiver is connected to the motor power cord and the ceiling power cord respectively.



- 2 Put the receiver into the mounting bracket.



- 3 Loosen the screws.



- 4 Cover the receiver and power cord, tighten the screws.

**Note:** Connect the wires color to color, plug to plug.



Live Wire



Neutral Wire



Ground Wire

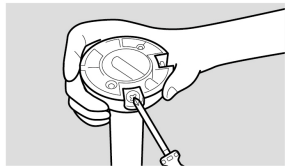


### Step7:Change Downrod(OPT)

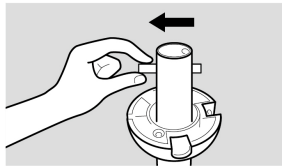
#### How to choose different lengths of downrod:

- 1.The ceiling distance of the house is 100 inches, which is suitable for installing a 5.9-inch downrod.
- 2.The ceiling distance of the house is 130 inches, which is suitable for installing a 9.8-inch downrod.

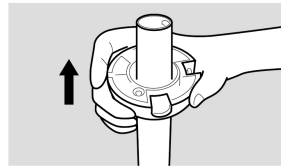
If you need to change different length downrod, please follow these steps:



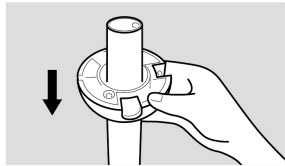
1 Loosen the screws on the hanging ball.



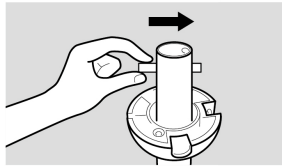
2 Remove the metal bar.



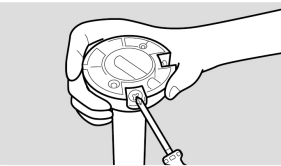
3 Take off the hanging ball from the original downrod.



4 Install the hanging ball to an appropriate downrod.



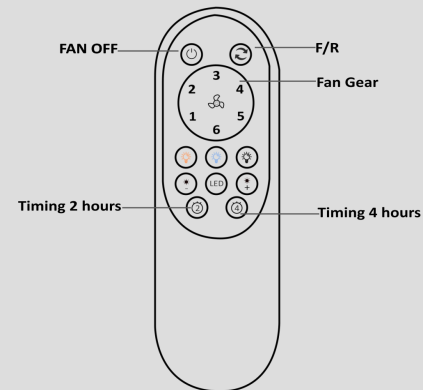
5 Insert the metal bar and tighten the screws.



## OPERATION INSTRUCTION

### Control Method

#### Remote Control



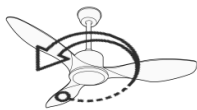
#### Code Matching of Remote:

- 1.Turn off the power for 5 seconds
- 2.Turn on the power and long press the ☺ button immediately.



**Note:**  
Sensing Distance: 33 ft - 49 ft (10 m - 15 m)  
Support Installation Angle:  $\leq 30^\circ$ .

**Reversible Function**



**Summer (Forward):**  
A downward airflow creates a cooling effect.



**Winter (Reverse):**  
An upward airflow increases the indoor temperature.

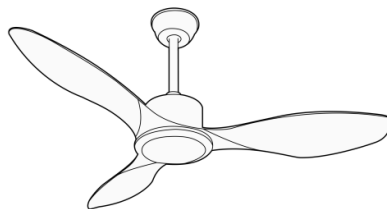
PS: If you want to change the fan's rotation direction, please press the button while the fan is running.

**Timing Control**

2H: The fan will automatically shut off after 2 hour.  
4H: The fan will automatically shut off after 4 hour.

Close the Timing Control: Press the button  "FAN OFF"

**SPECIFICATIONS**



Product Name	48-Inch Ceiling Fan
Rated Voltage	100 V - 260 V
Motor Power	32W
Control Method	Remote Control
Overall Height	360mm/460mm
Fan Blade	3 Plastic Fan Blades



**TROUBLESHOOTING**

If there is a problem with the fan during use, please check the following tips for solutions. If the problem still cannot be solved, please contact our after-sales team.

**The Fan Does Not Respond to the Remote Control.**

Check that all wire connections are correct and secure  
Verify that the power is turned on and reaching the receiver  
Verify that the batteries of the remote control are installed with the correct polarity, making sure to install the + (positive) end of the batteries on the solid end and the - (negative) end on the spring.

**The Fan Makes a Humming Noise.**

Make sure the controls you use are supplied with your fan.  
Make sure all accessories are securely fastened. Loose parts often cause a vibrating noise or buzzing sound.  
Disassemble the fan and reinstalling it can sometimes remedy this resonant vibrating noise.

**The Fan Makes a Repetitive Ticking Noise.**

Check for obstructions in the rotor path.  
Make sure mounting hardware at the ceiling is firmly fastened.  
Make sure all other hardware and blade attachments are tight.  
Give the fan a "Break in Period" of a few hours to a few days, then repeat the steps above.

**The Fan Wobbles.**

Make sure the mounting plate and hardware at the ceiling are firmly fastened.  
Make sure all screw fittings on the fan are tight.  
If necessary, use the self-tapping screws provided to further secure the bracket to the joist.