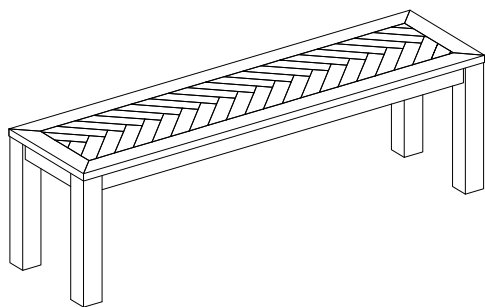


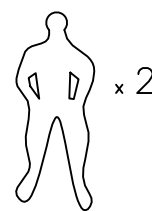
AIDEN BENCH



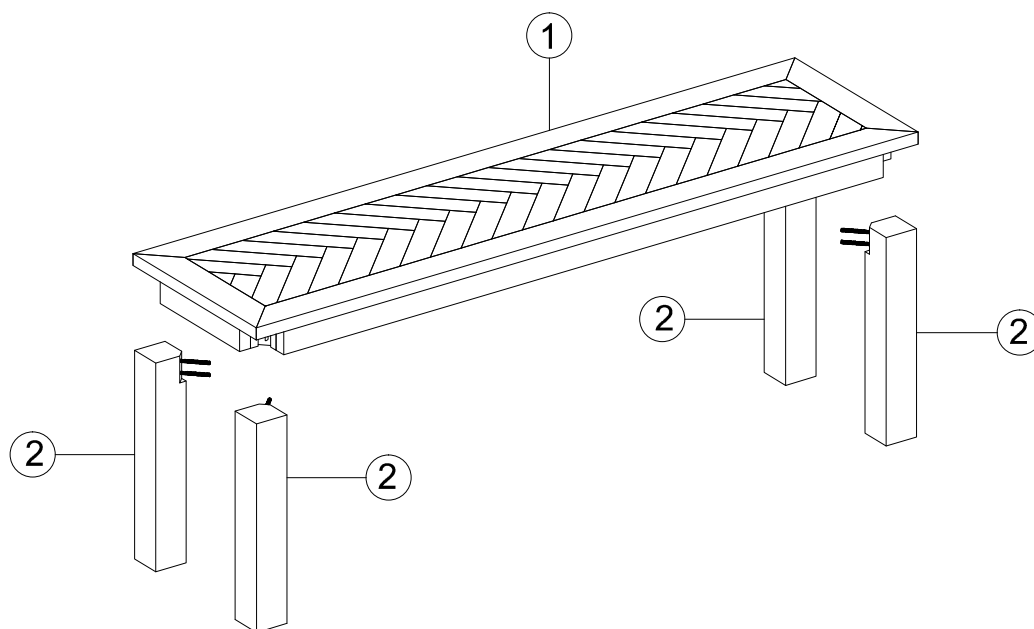
ASSEMBLY INSTRUCTIONS

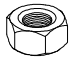





30 MIN

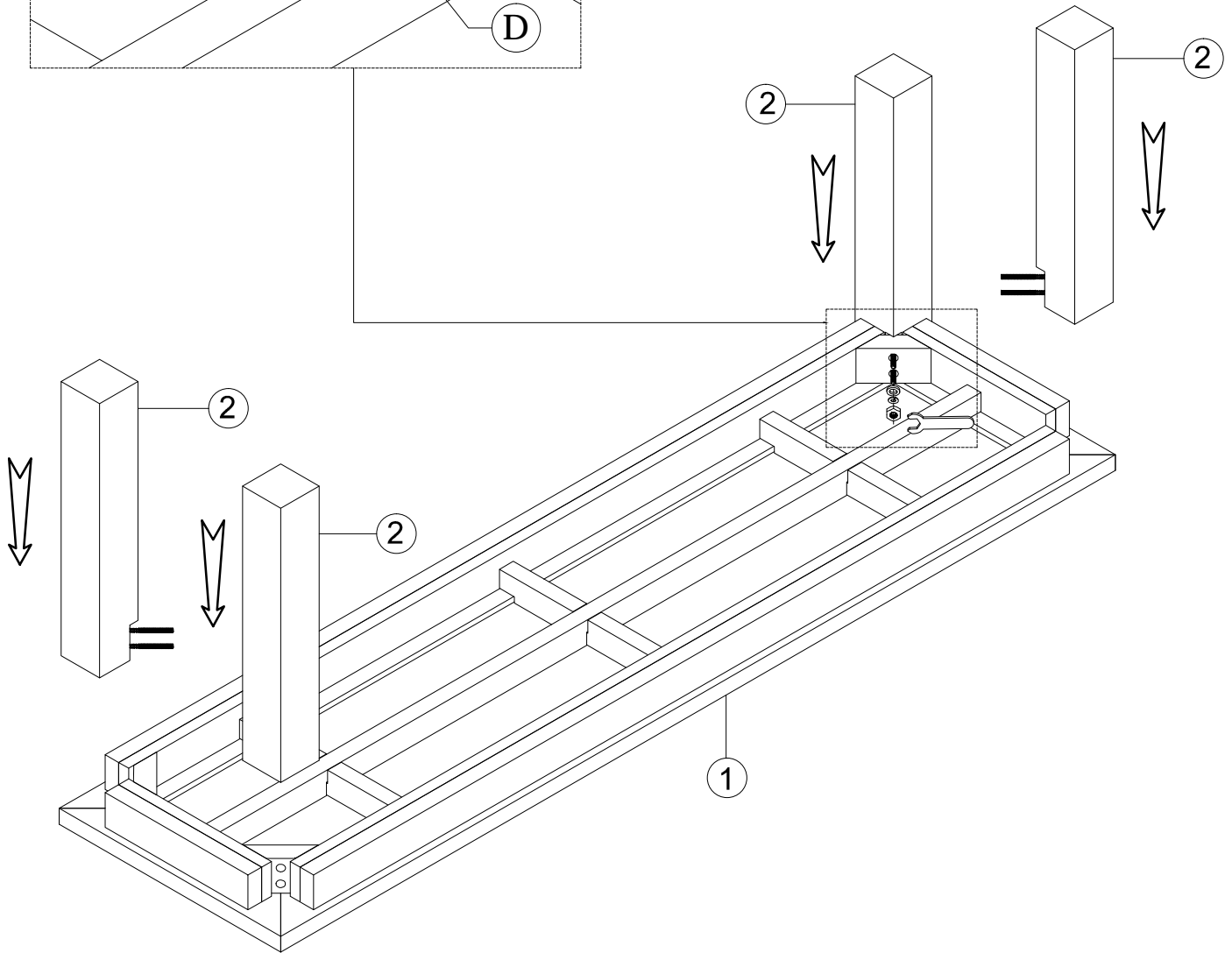
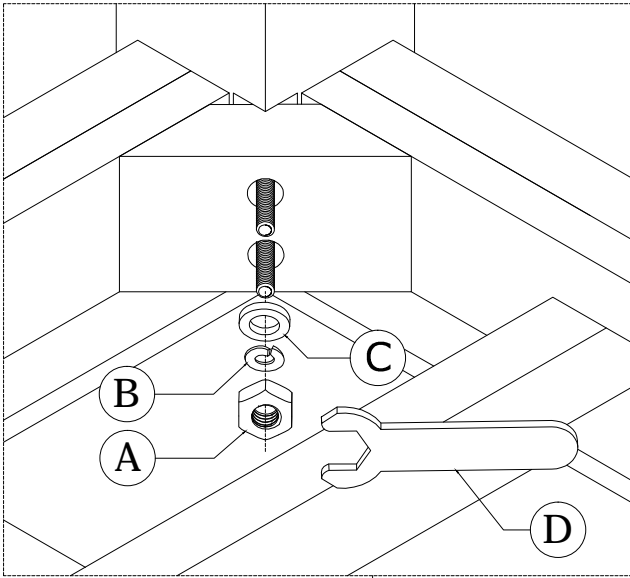


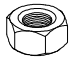

1	TOP	01 PC
2	LEGS	04 PCS


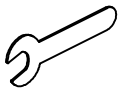


A	HEX NUT M8		08 PCS
B	SPRING WASHER M8 x Ø13 x 1.2 mm		08 PCS

C	WASHER M8 x Ø19 x 2 mm		08 PCS
D	SPANNAR M13		01 PC



A	HEX NUT M8		08 PCS
B	SPRING WASHER M8 x Ø13 x 1.2 mm		08 PCS

C	WASHER M8 x Ø19 x 2 mm		08 PCS
D	SPANNAR M13		01 PC

ASSEMBLY IS COMPLETE

