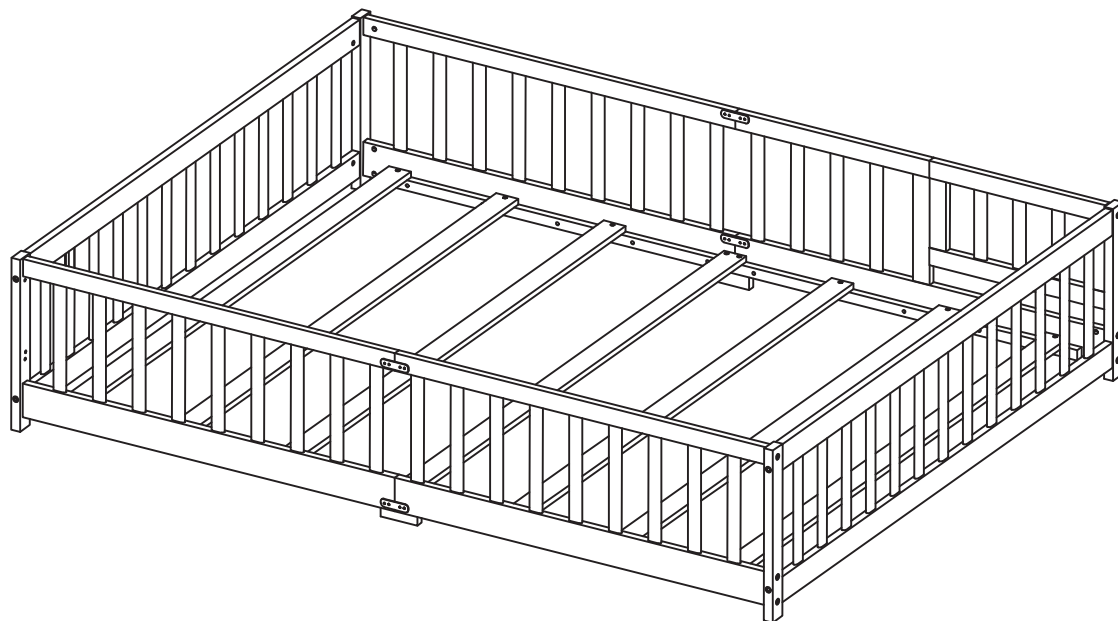
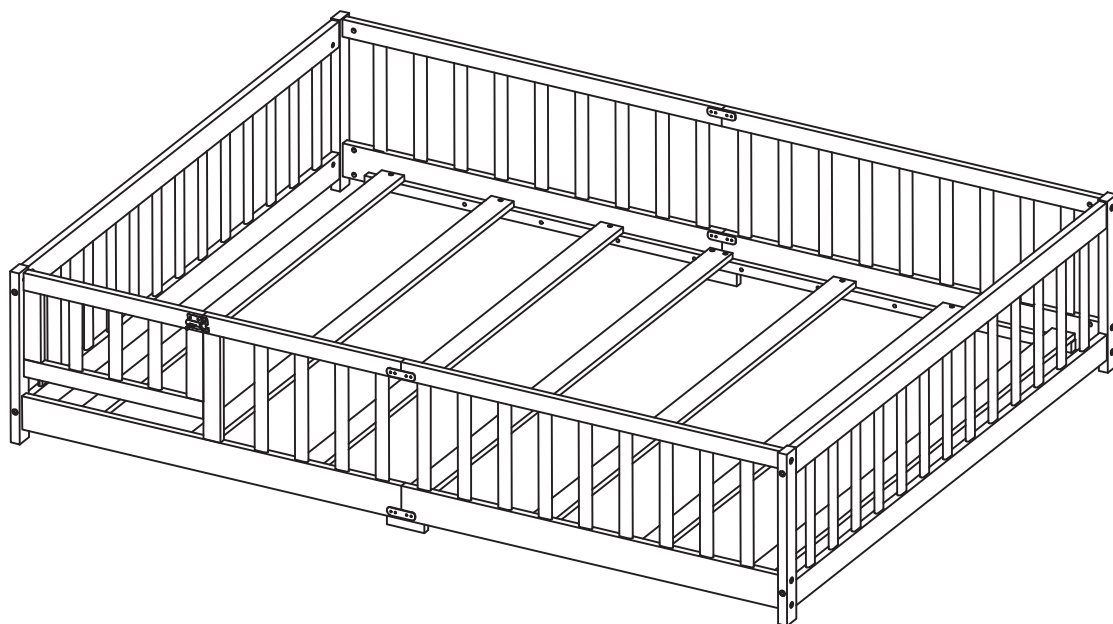


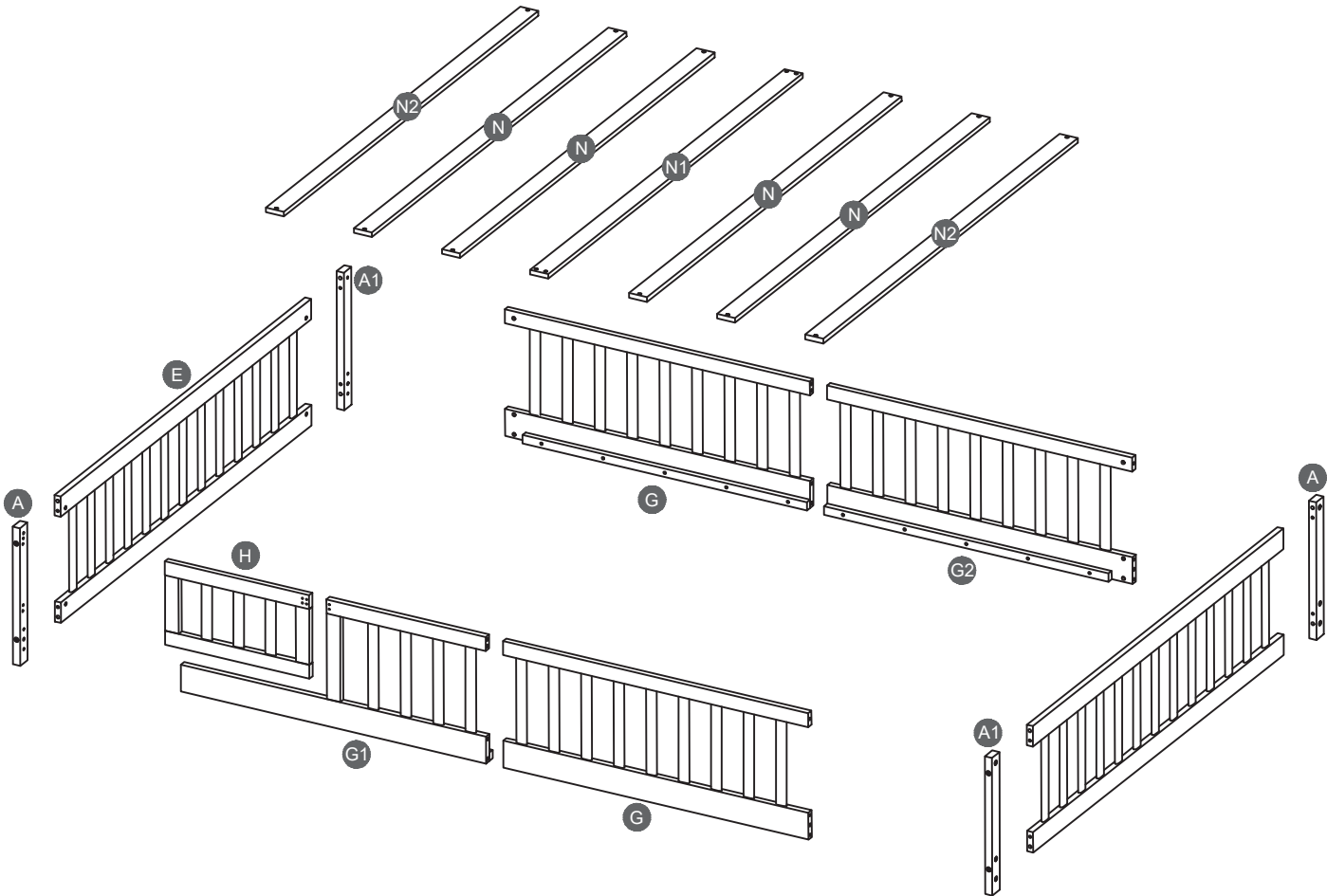
# ASSEMBLY INSTRUCTIONS

## QUEEN FLOOR BED WITH FENCE

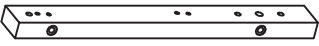
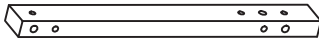
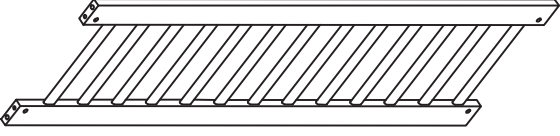
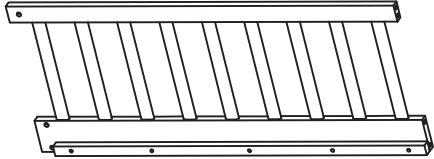
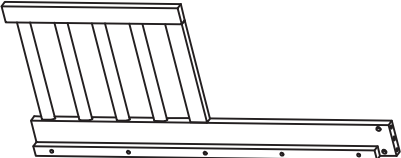
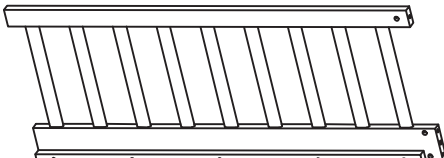
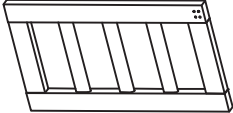





**MK33763**





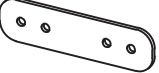

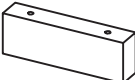





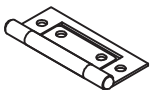
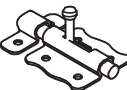


# Detail View



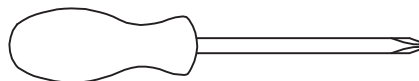
# Part List

<b>A</b>  Leg - 2pcs	<b>A1</b>  Leg - 2pcs
<b>E</b>  Hb. Fb. Panel - 2pcs	<b>G</b>  Side Rail - 2pcs
<b>G1</b>  Side Rail - 1pc	<b>G2</b>  Side Rail - 1pc
<b>H</b>  Door - 1pc	<b>N</b>  Bed Slats - 4pcs
<b>N1</b>  Bed Slats (Mid.) - 1pc	<b>N2</b>  Bed Slats (End) - 2pcs

# Hardware List




<b>1</b>  M6 x 80mm JCBC (8pcs)	<b>2</b>  M6 x 65mm JCBC (11pcs)	<b>3</b>  M6 x 15mm Barrel Nut (19pcs)
<b>4</b>  M10 x 30mm Wood Dowel (Short) (12pcs)	<b>5</b>  Metal Bracket (8pcs)	<b>6</b>  M3.5 x 16mm CSK Screw (46pcs)
<b>7</b>  Side Rail Bottom Support (2pcs)	<b>8</b>  M4 x 32mm CSK Screw (4pcs)	<b>9</b>  M4 x 25mm CSK Screw (12pcs)
<b>10</b>  M6 x 30mm JCBC-W (4pcs)	<b>11</b>  20 x 20 x 245mm Wood Block (1pc)	<b>12</b>  Sticker Cap (2pcs)
<b>13</b>  6 x 24 x 55mm (135°) Hinges (2pcs)	<b>14</b>  10 x 40 x 60mm Lock (1pc)	<b>15</b>  M10 x 40mm Wood Dowel (Long) (8pcs)
<b>16</b>  M4 Allen Key (1pc)		

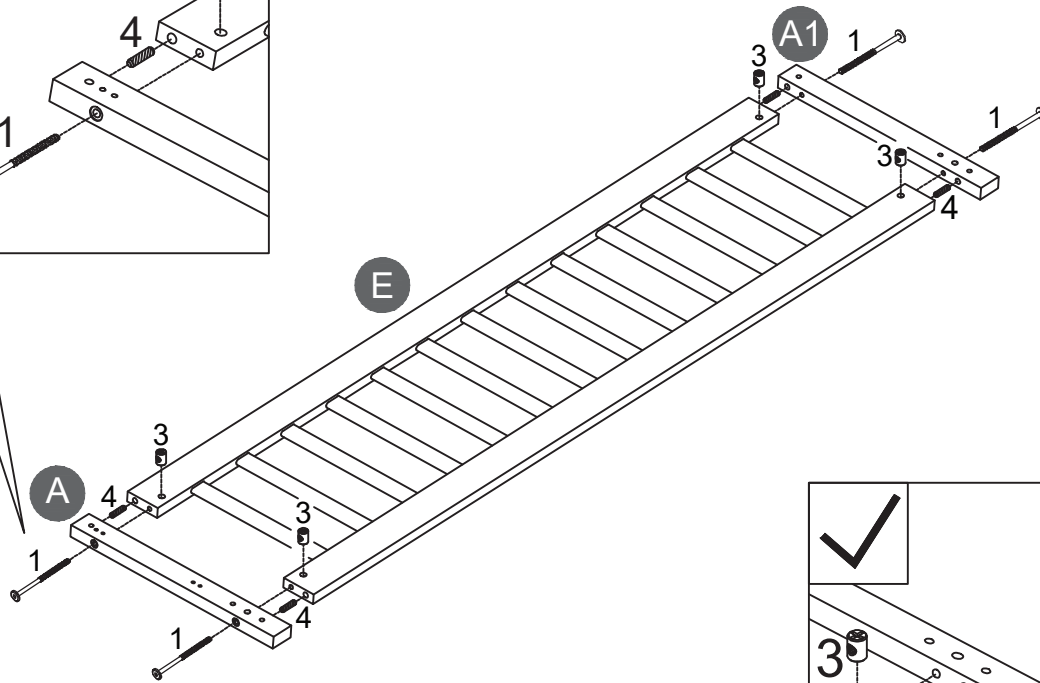
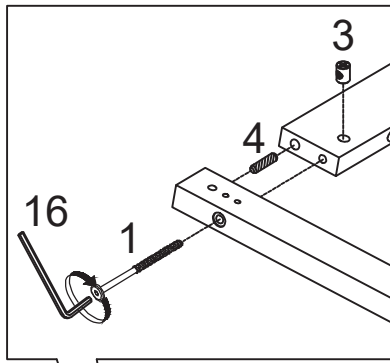
## ASSEMBLY TOOLS REQUIRED ( NOT INCLUDED )



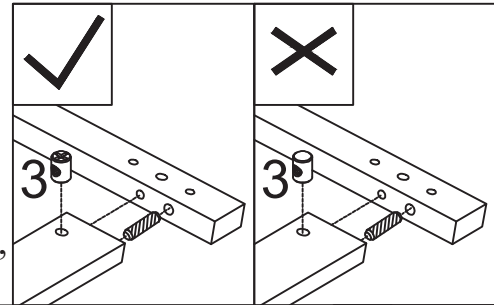
**PLEASE BE CAREFUL DO NOT DAMAGE THE HOLE POSITION WHEN YOU USE POWER TOOLS !**

**STEP 1:**


<b>1</b>		<b>3</b>		<b>4</b>	
<b>8PCS</b>		<b>8PCS</b>		<b>8PCS</b>	



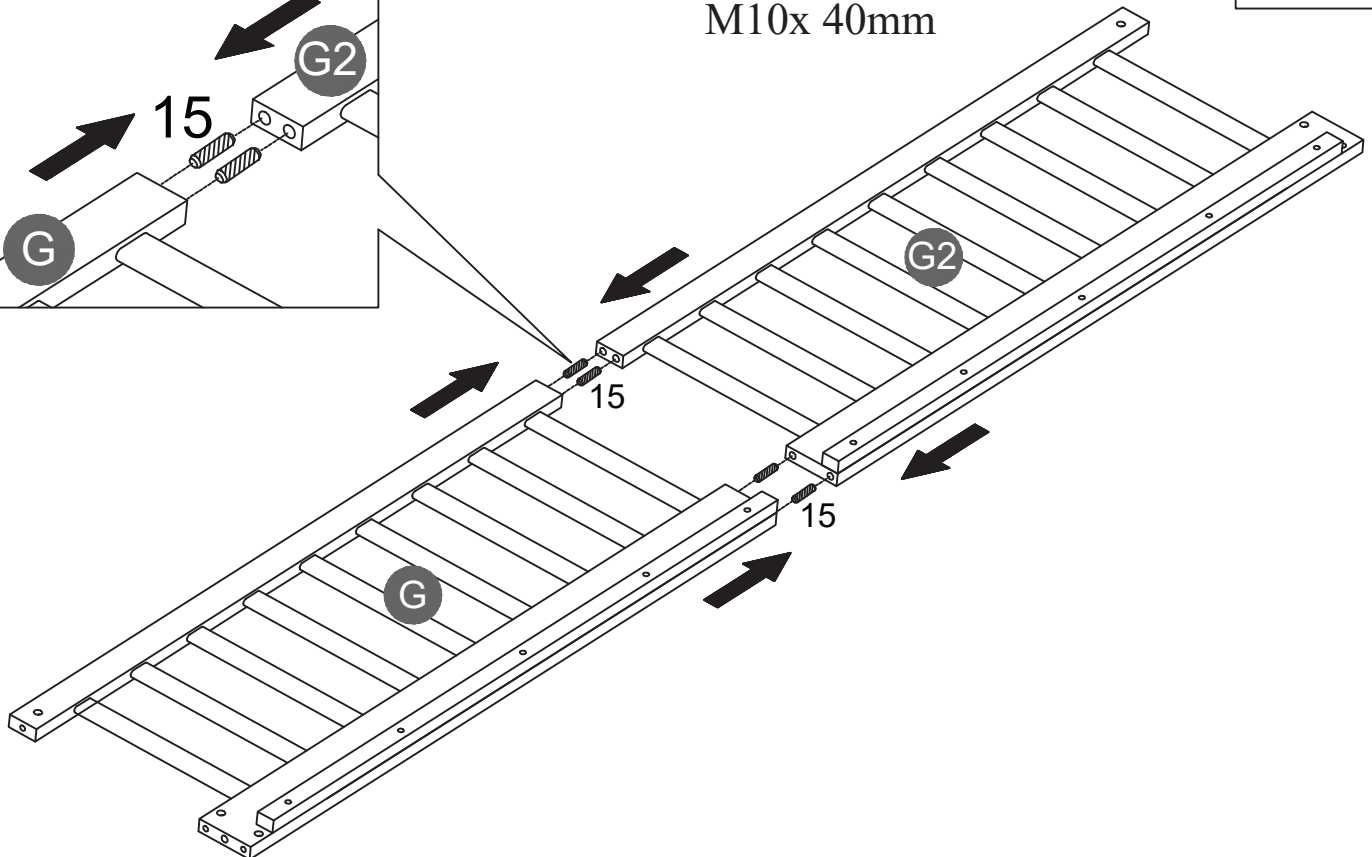
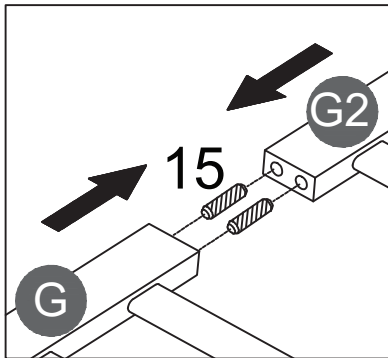
Note: Part 3 will face up with the "x" mark on it, otherwise it cannot be tightened



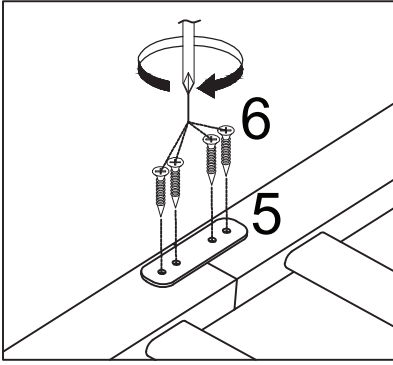
**STEP 2:**



<b>15</b>	
<b>4PCS</b>	

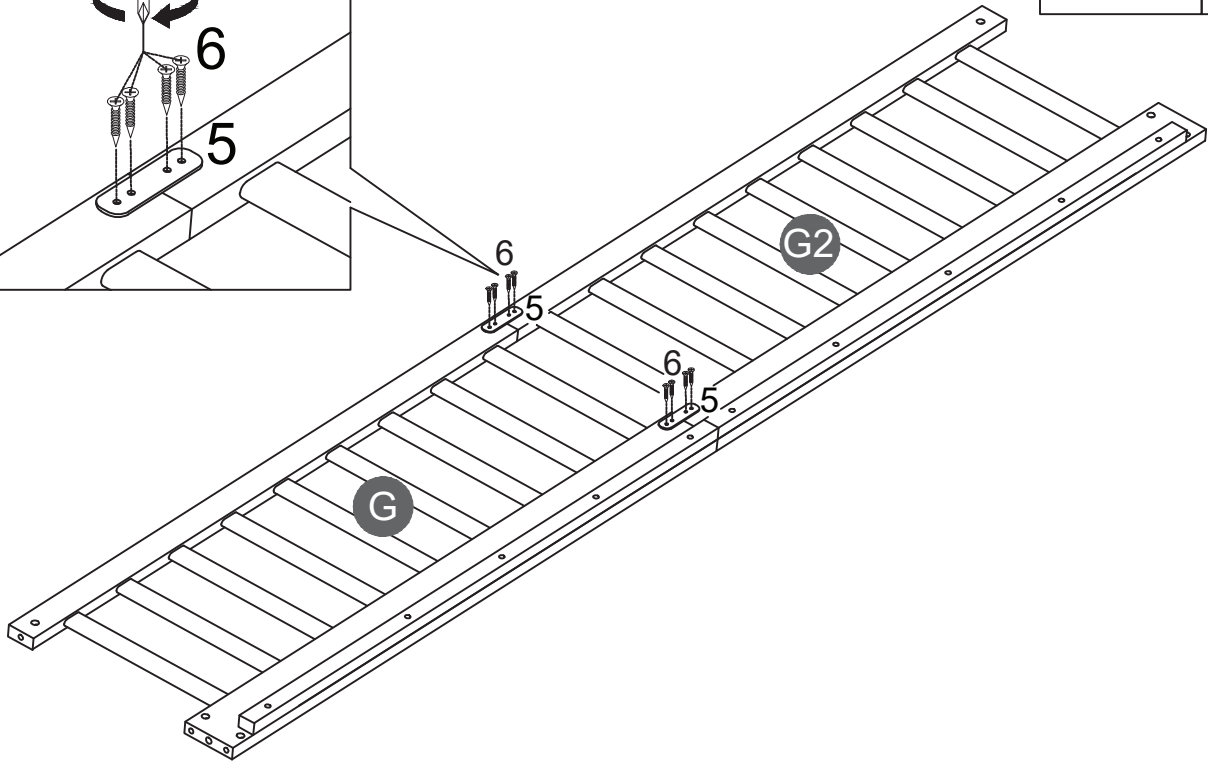
Note:  
Use the **Long Wood Dowel**  
M10x 40mm



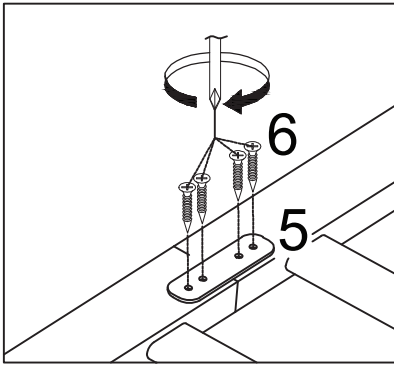
**STEP 3:**

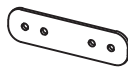



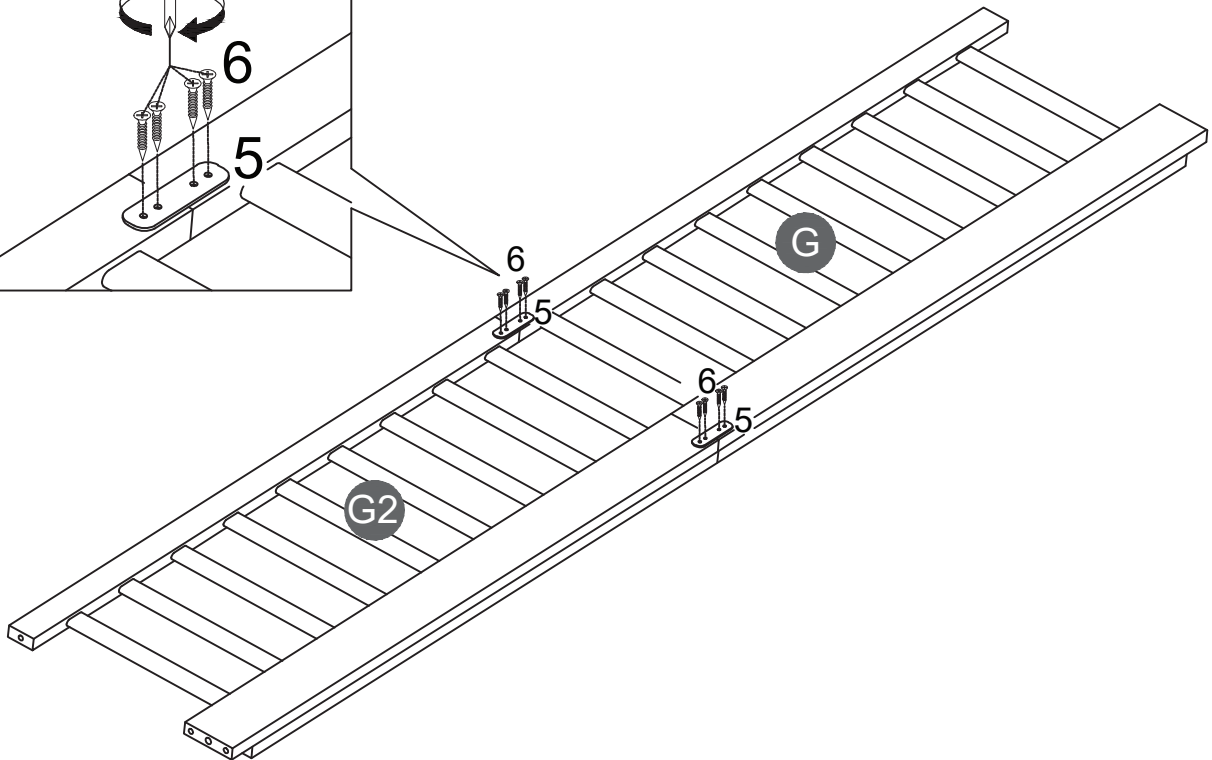
<b>5</b>	<b>6</b>
	
<b>2PCS</b>	<b>8PCS</b>



**STEP 4:**




<b>5</b>	<b>6</b>
	
<b>2PCS</b>	<b>8PCS</b>

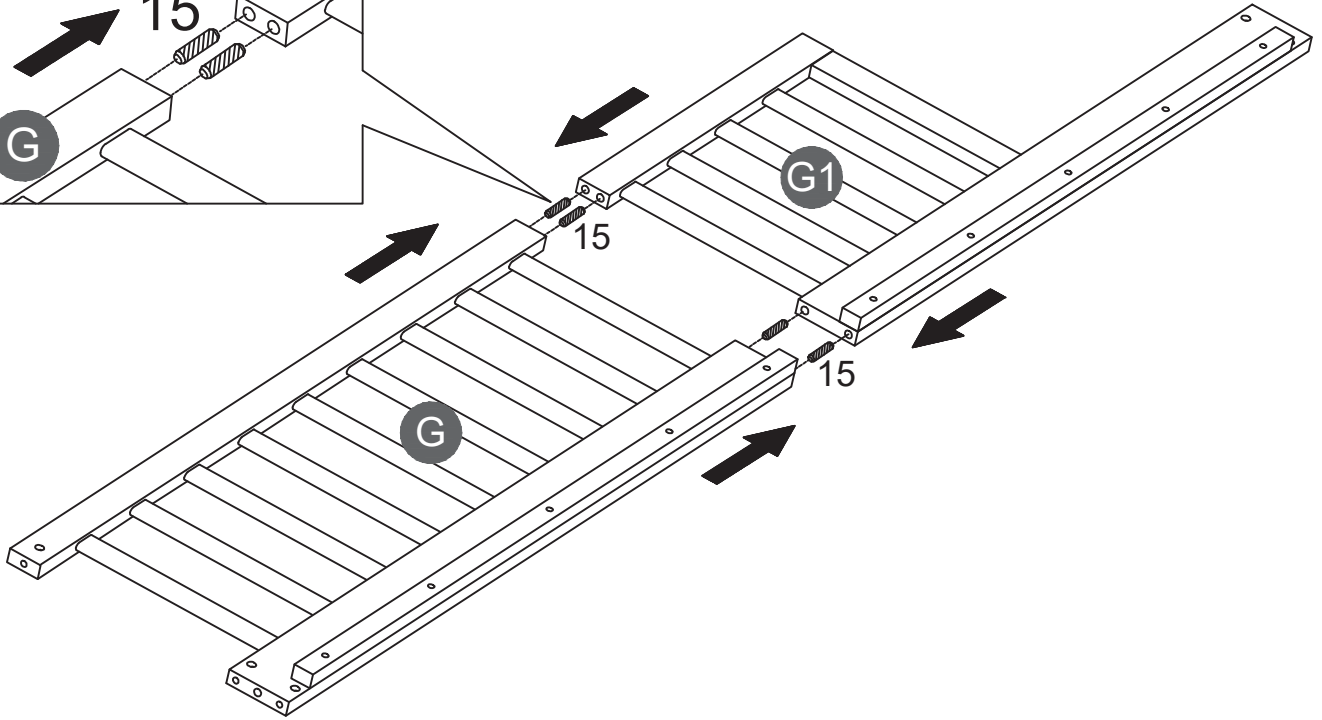
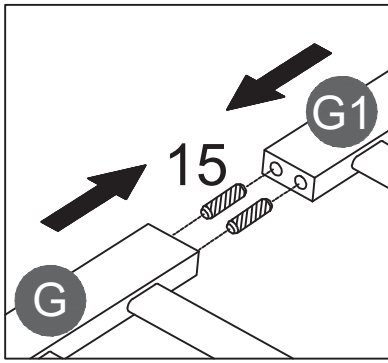


After completing the installation of Step 3, please flip to the other side.



**STEP 5:**

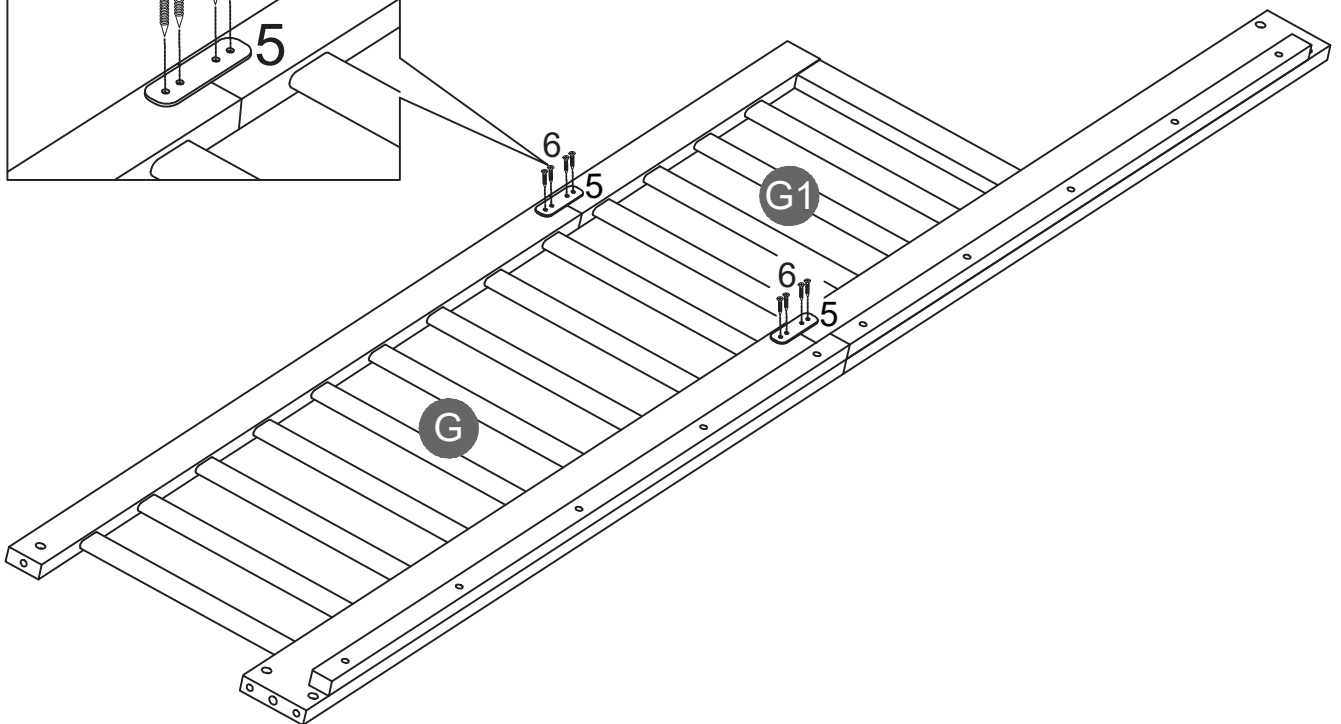
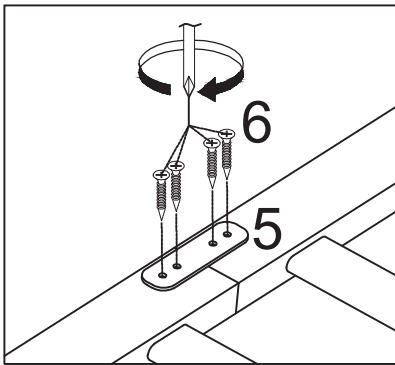
<b>15</b>	
<b>4PCS</b>	

Note:  
Use the **Long Wood Dowel**  
M10x 40mm

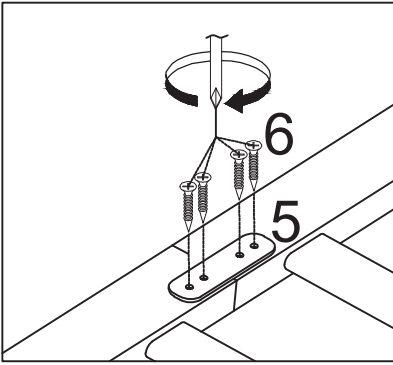


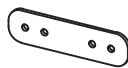
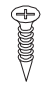
**STEP 6:**

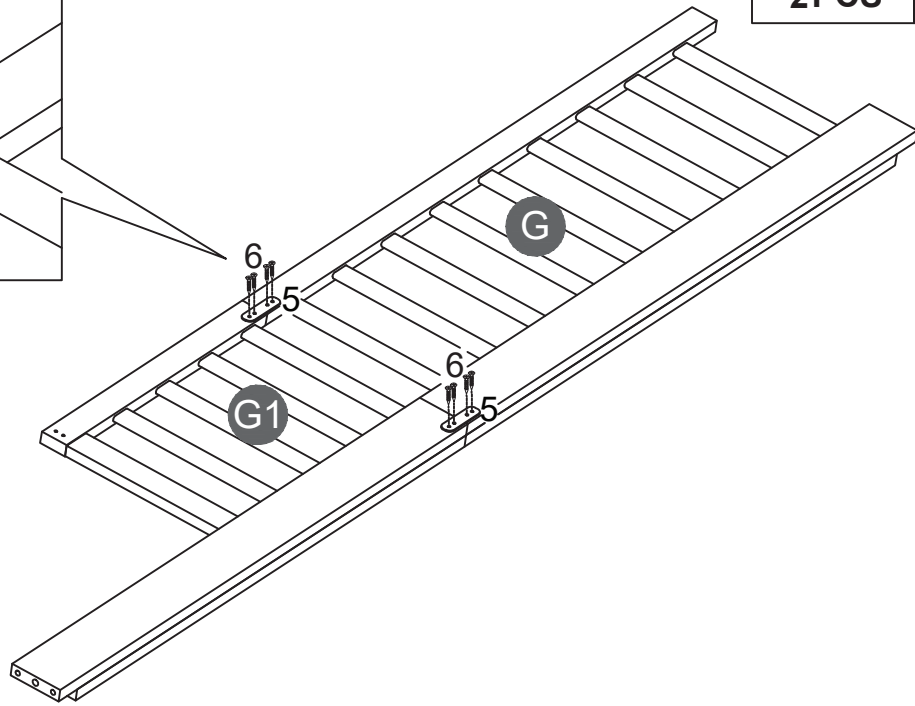
<b>5</b>	<b>6</b>
	
<b>2PCS</b>	<b>8PCS</b>



**STEP 7:**

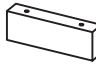



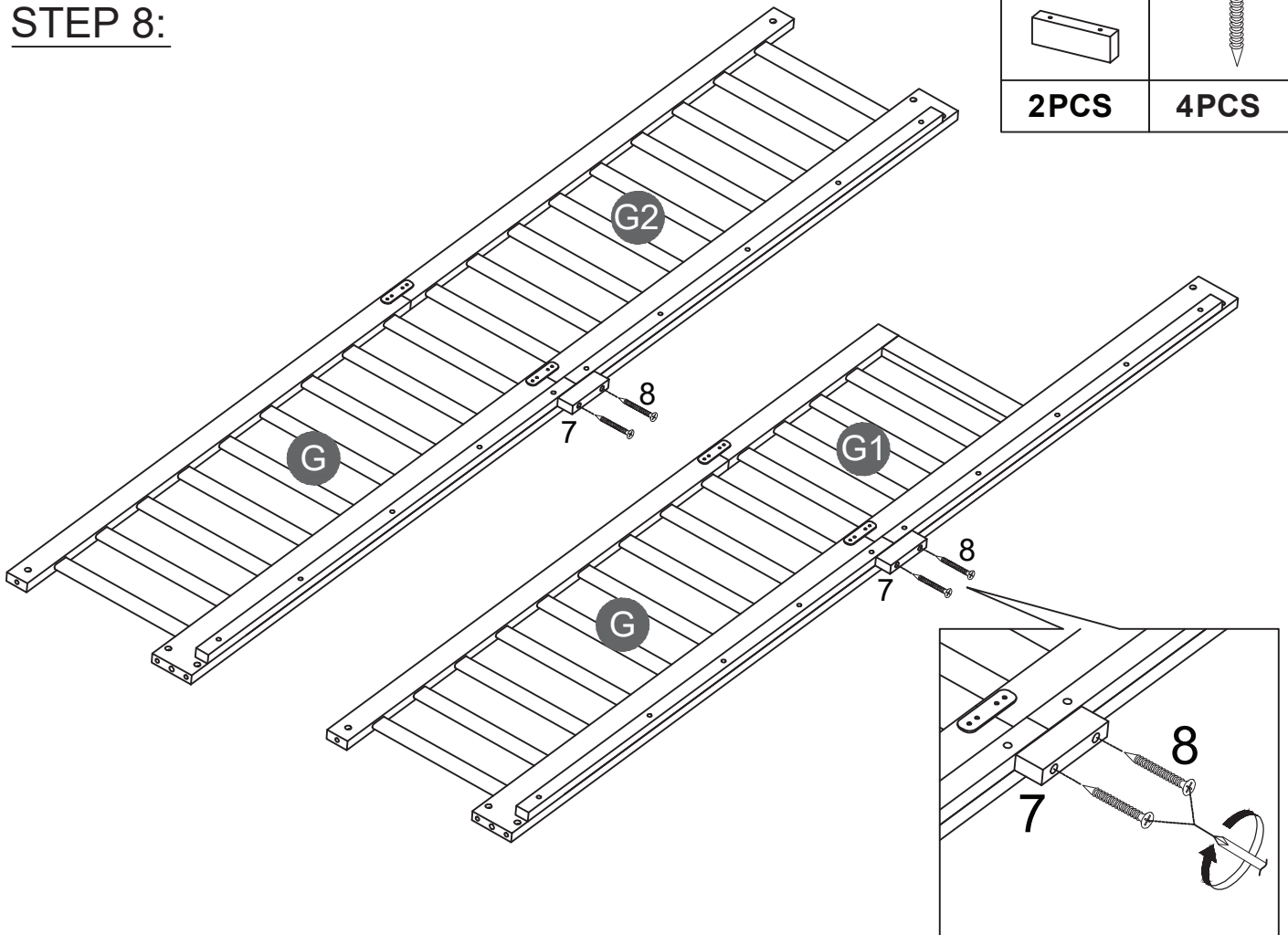
<b>5</b>	<b>6</b>
	
<b>2PCS</b>	<b>8PCS</b>







After completing the installation of Step 6, please flip to the other side.

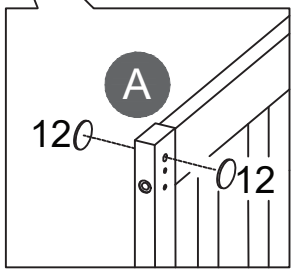
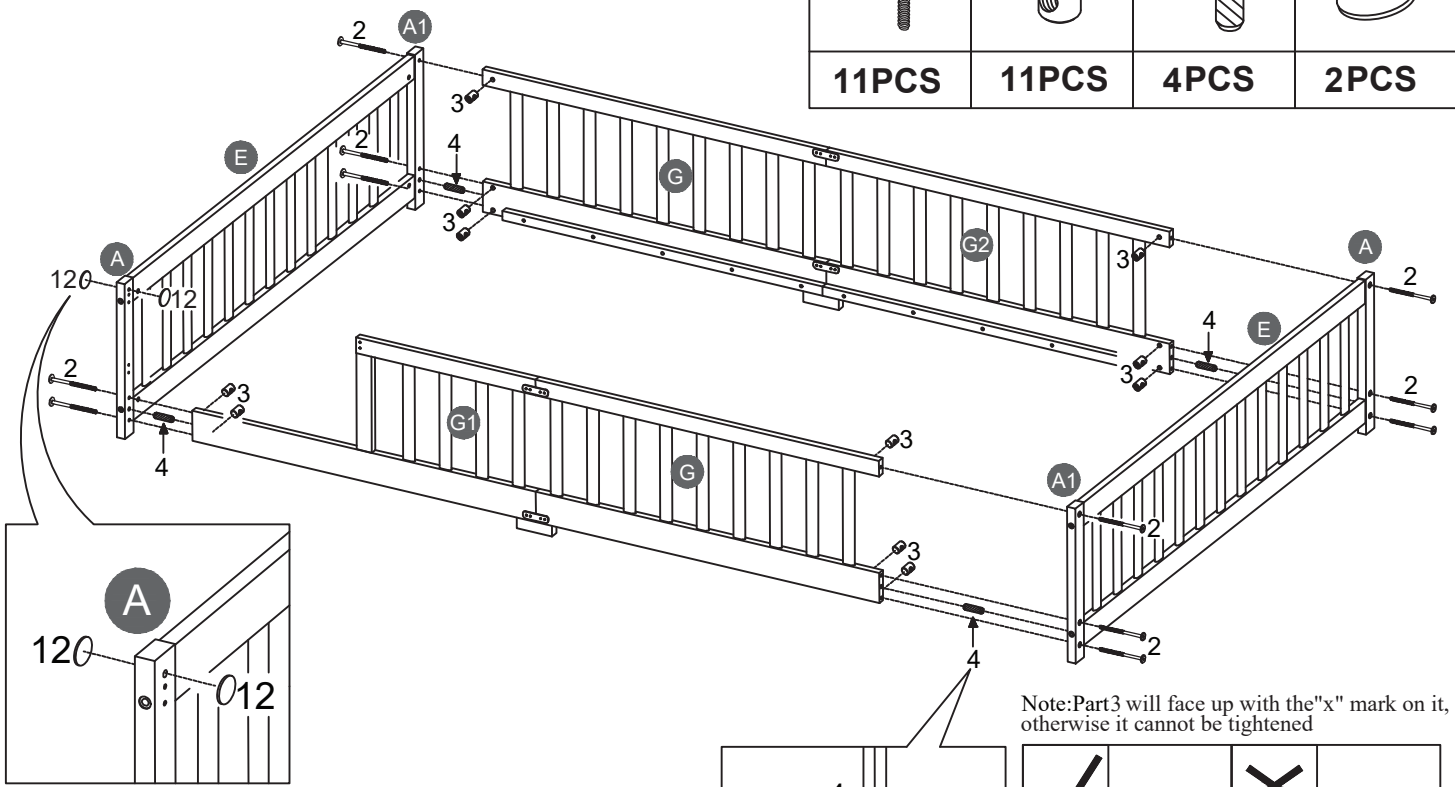
**STEP 8:**

<b>7</b>	<b>8</b>
	
<b>2PCS</b>	<b>4PCS</b>

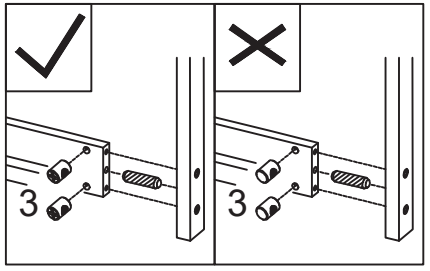
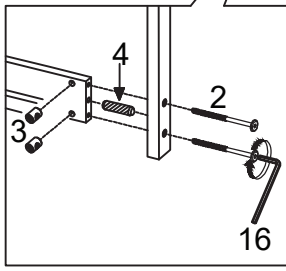


# STEP 9:


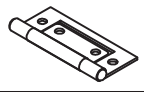
<b>2</b>		<b>3</b>		<b>4</b>		<b>12</b>	
<b>11PCS</b>		<b>11PCS</b>		<b>4PCS</b>		<b>2PCS</b>	

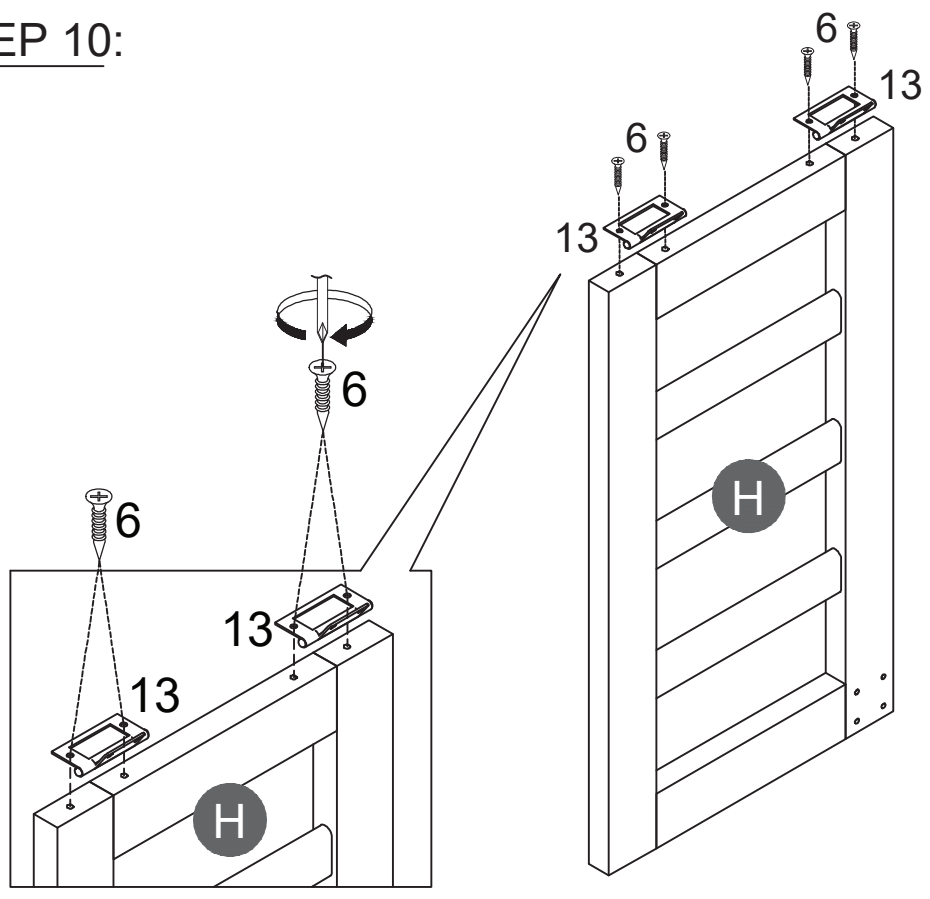


Note: Part 3 will face up with the "x" mark on it, otherwise it cannot be tightened



# STEP 10:

<b>6</b>		<b>13</b>	
<b>4PCS</b>		<b>2PCS</b>	

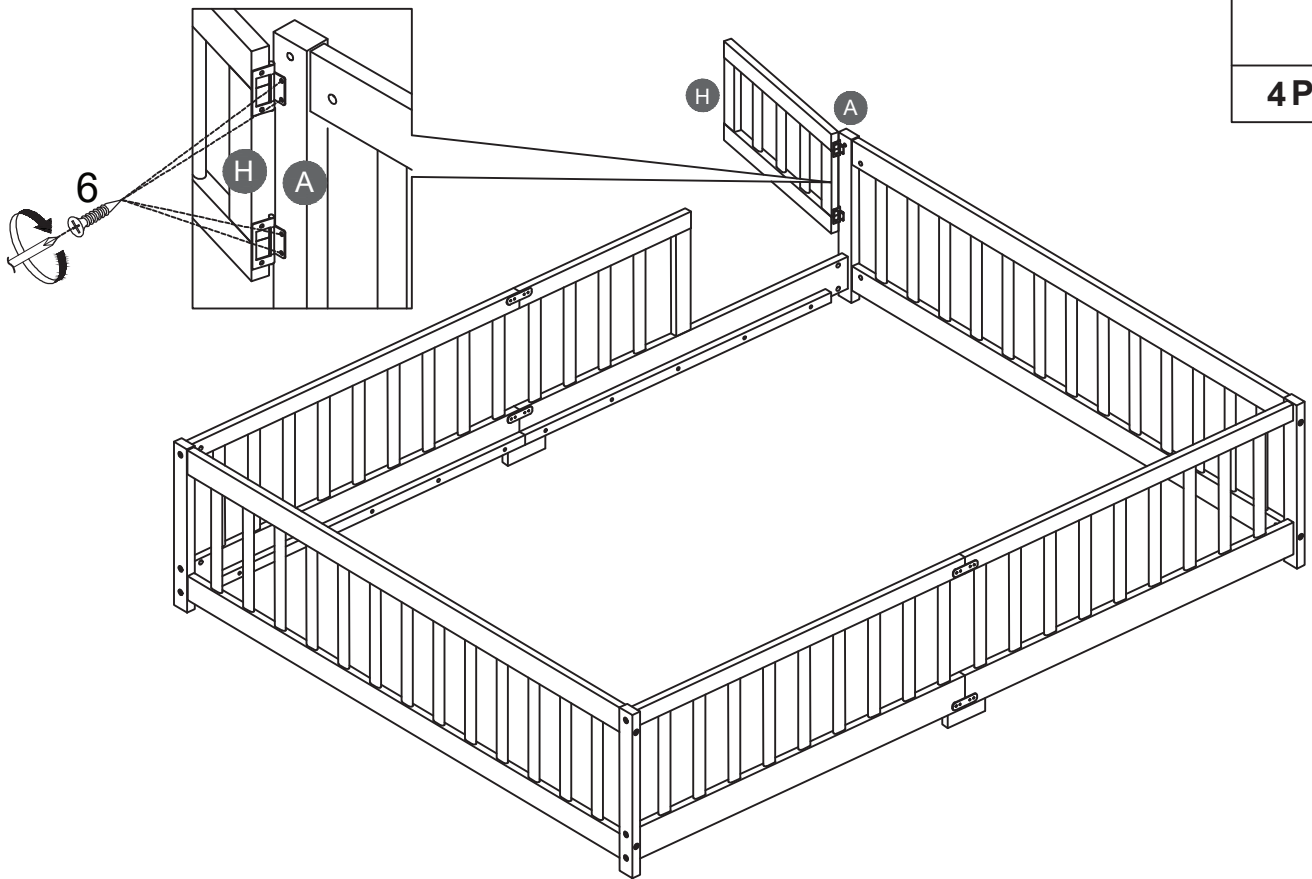


**STEP 11:**

**6**



**4 PCS**



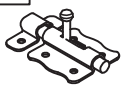
**STEP 12:**

**6**

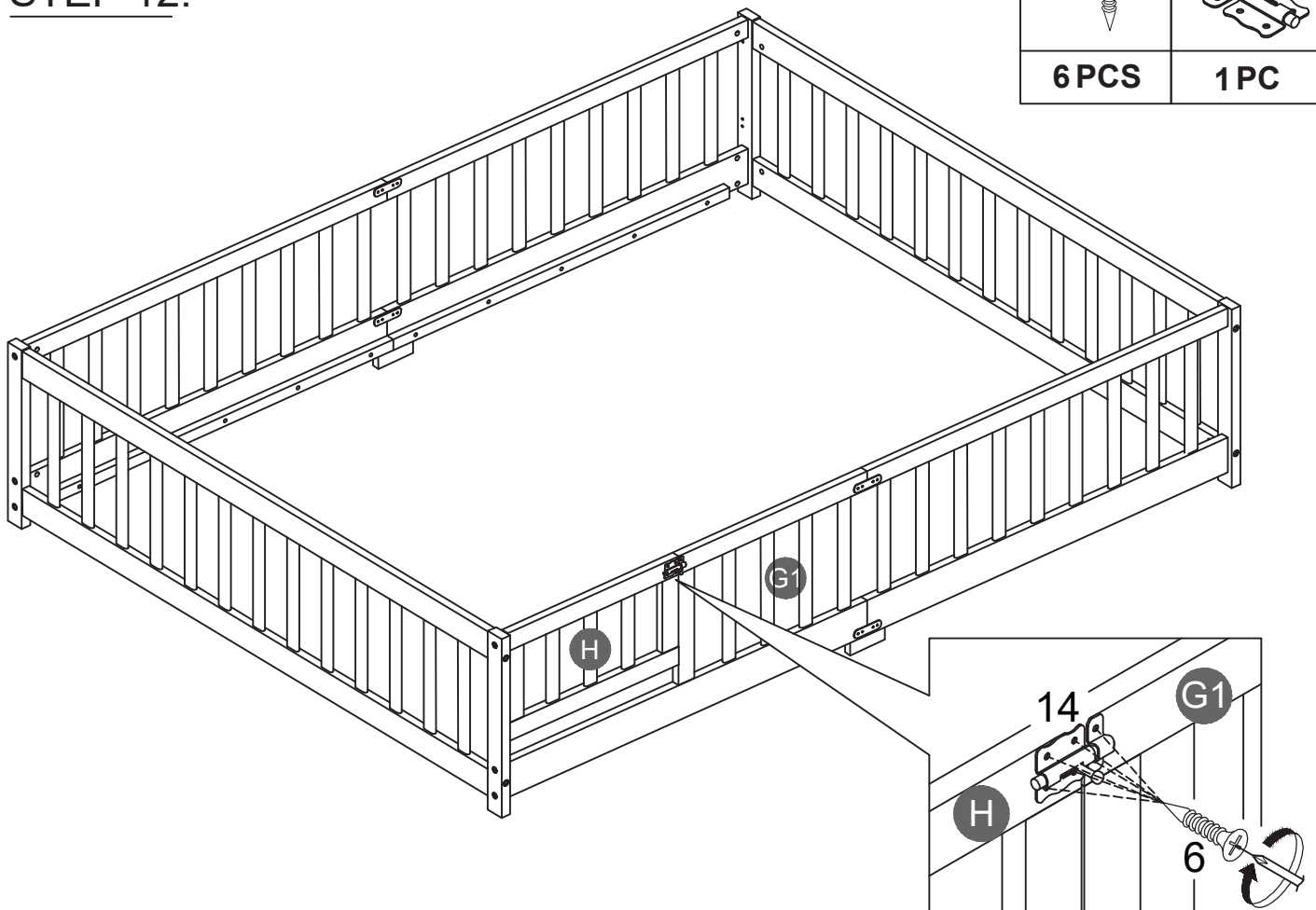


**6 PCS**




**14**

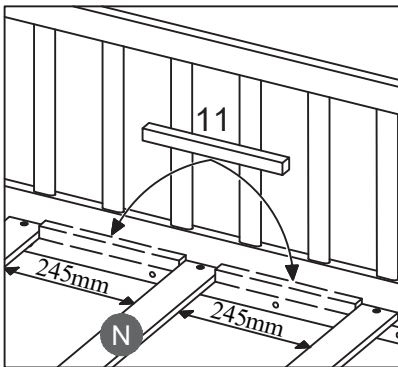
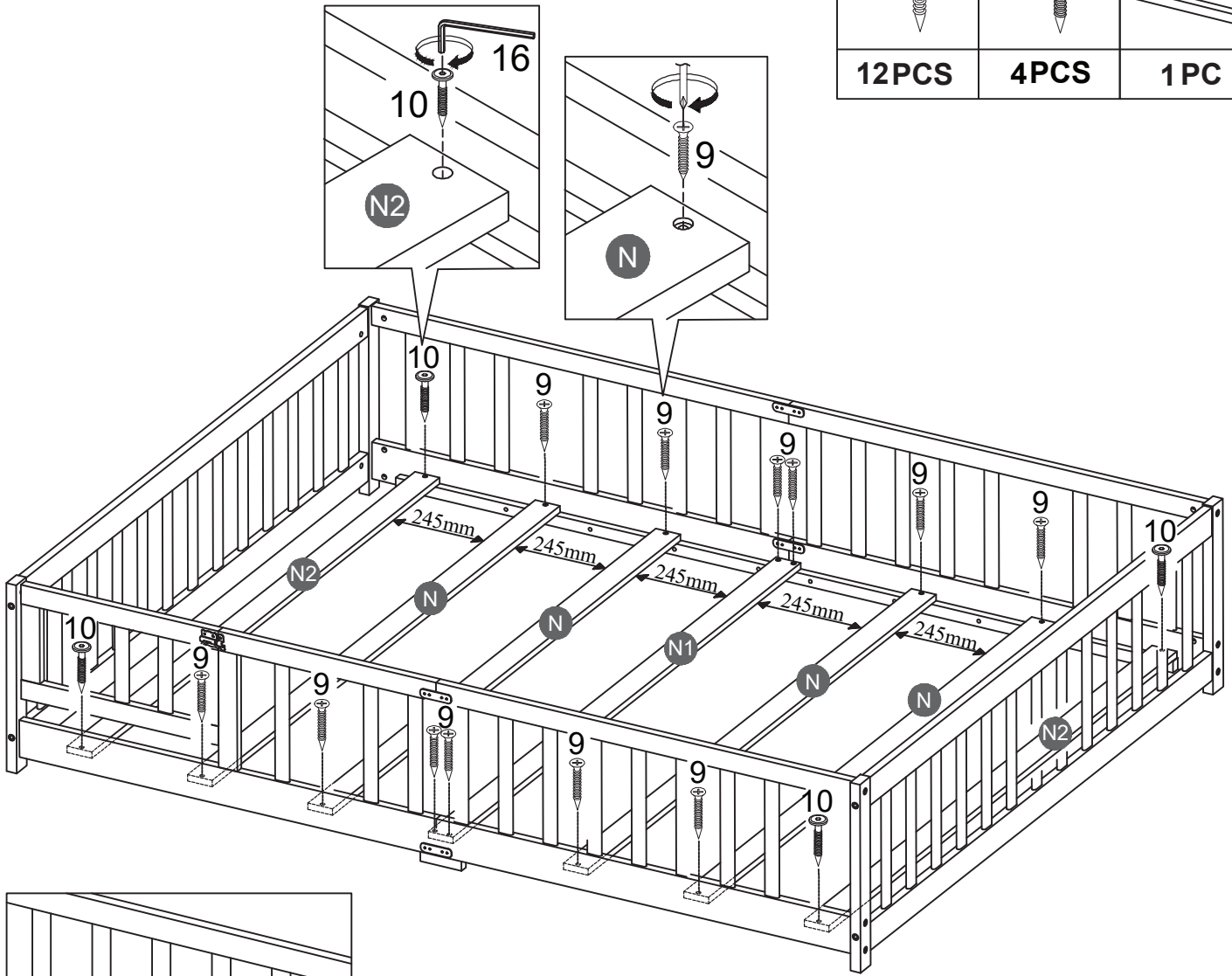


**1 PC**

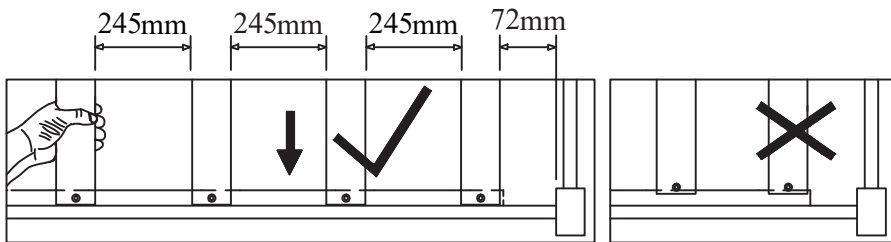


# STEP 13:

<b>9</b>		<b>10</b>		<b>11</b>	
<b>12PCS</b>		<b>4PCS</b>		<b>1PC</b>	



Note: Use Wood Block as a guidance distance between Bed Slats.



Note: Do not lock the screws of the bed slats to the outermost edge of the bed slats, you need to leave a certain space at the edges, otherwise it will cause the board to break. Do not lock the bed slats on the edge of the wood, please hold firmly before screwing, hold it in place with one hand, then lock the screw.