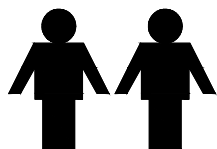
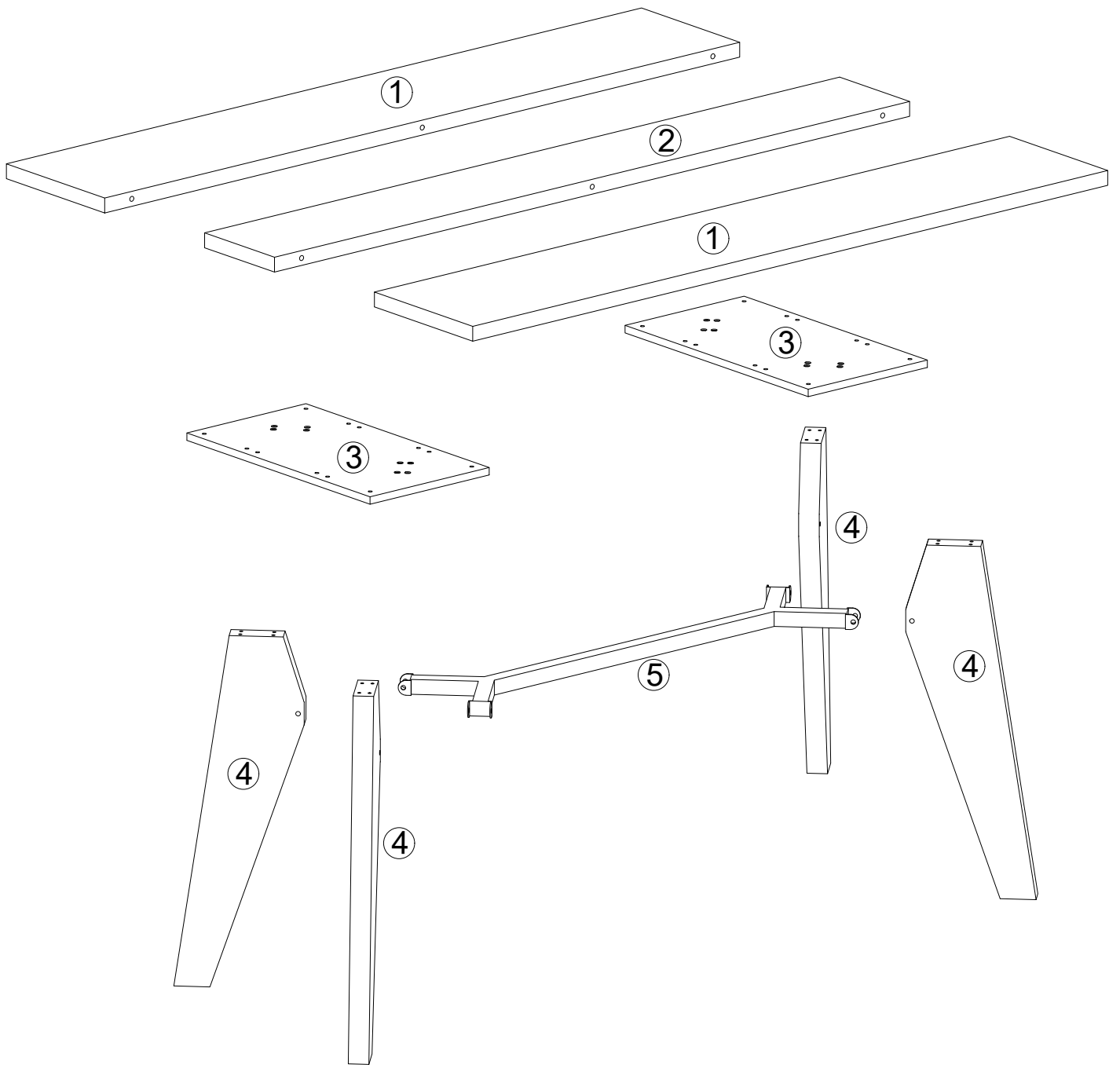



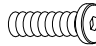




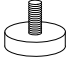
GCDT25021

ASSEMBLY INSTRUCTION

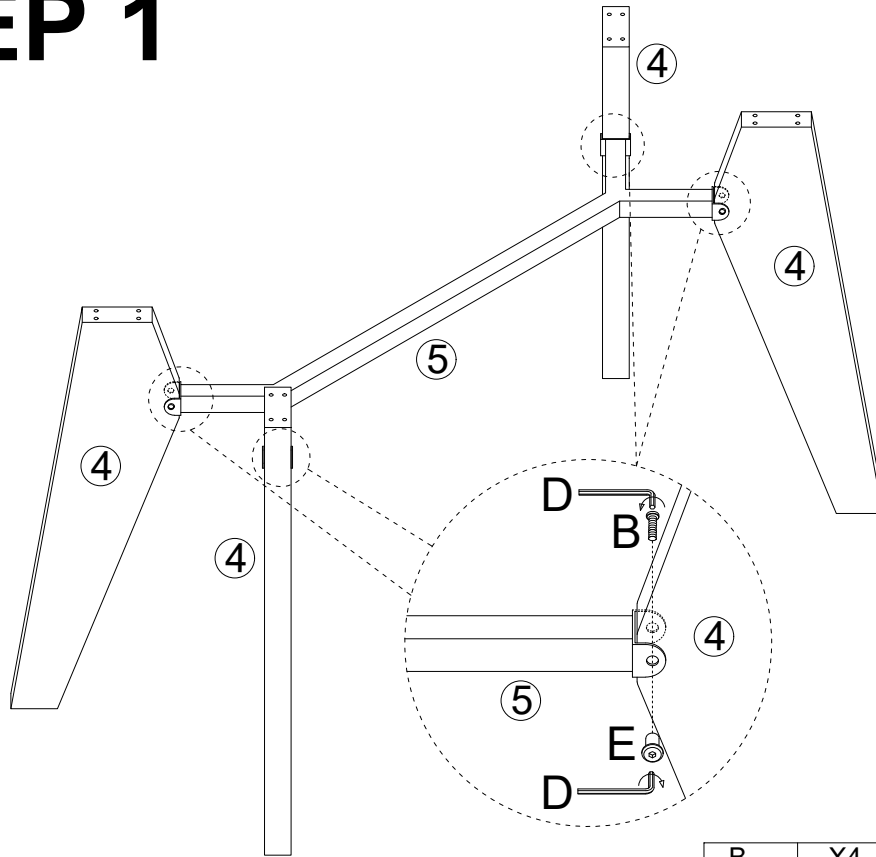
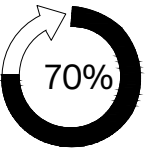


Notes: Don't fully tighten screws until all parts are confirmed in place to avoid misalignment.



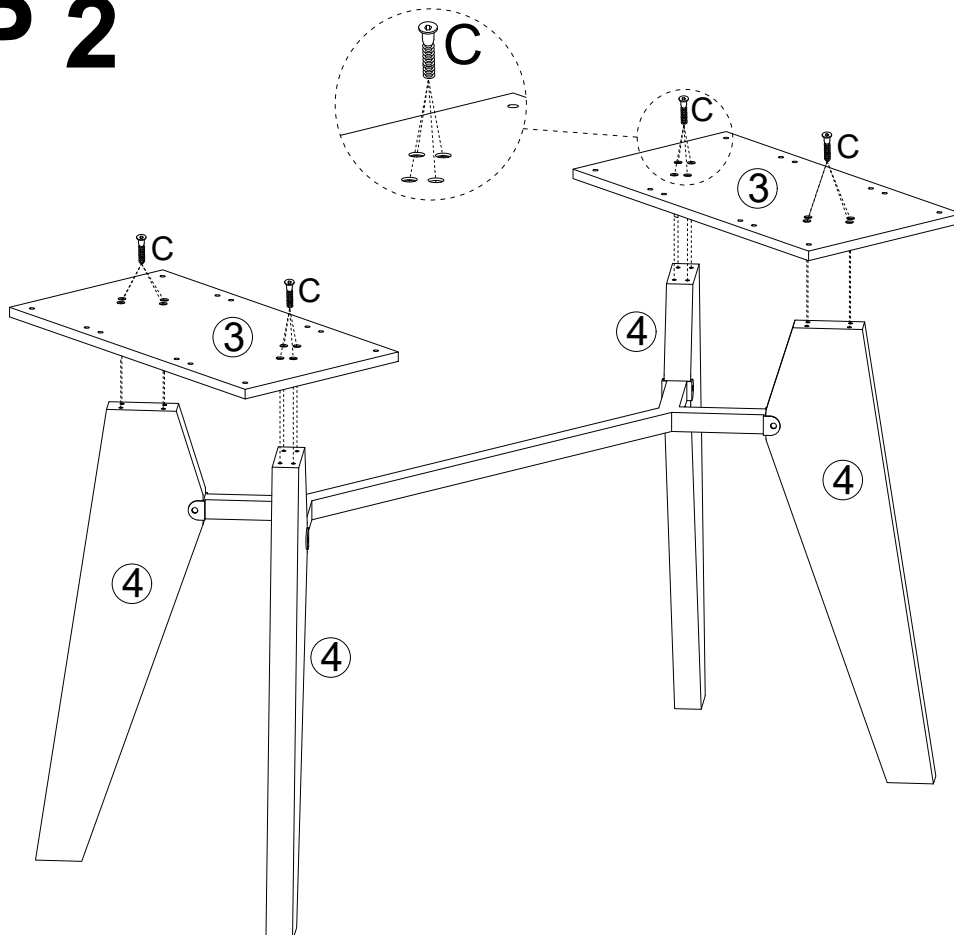
A	X24	B	X4	C	X16	D	X2	E	X4	F	X6	G	X4
													
M6X30mm		M6X35mm		Ø7X47mm		M4X55mm		M6X15mm		Ø10X50mm		M6XØ30mm	

STEP 1



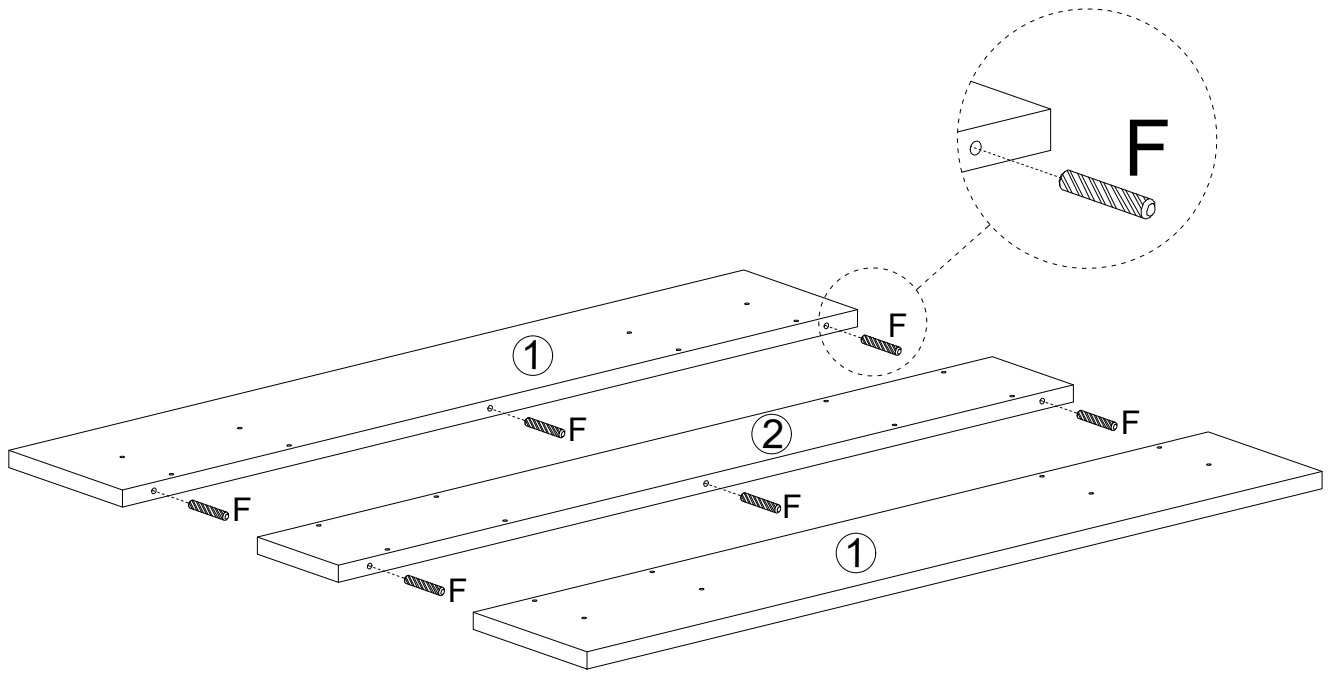
B	X4	D	X2	E	X4
M6X35mm		M4X55mm		M6X15mm	


STEP 2



C	X16
Ø7X47mm	

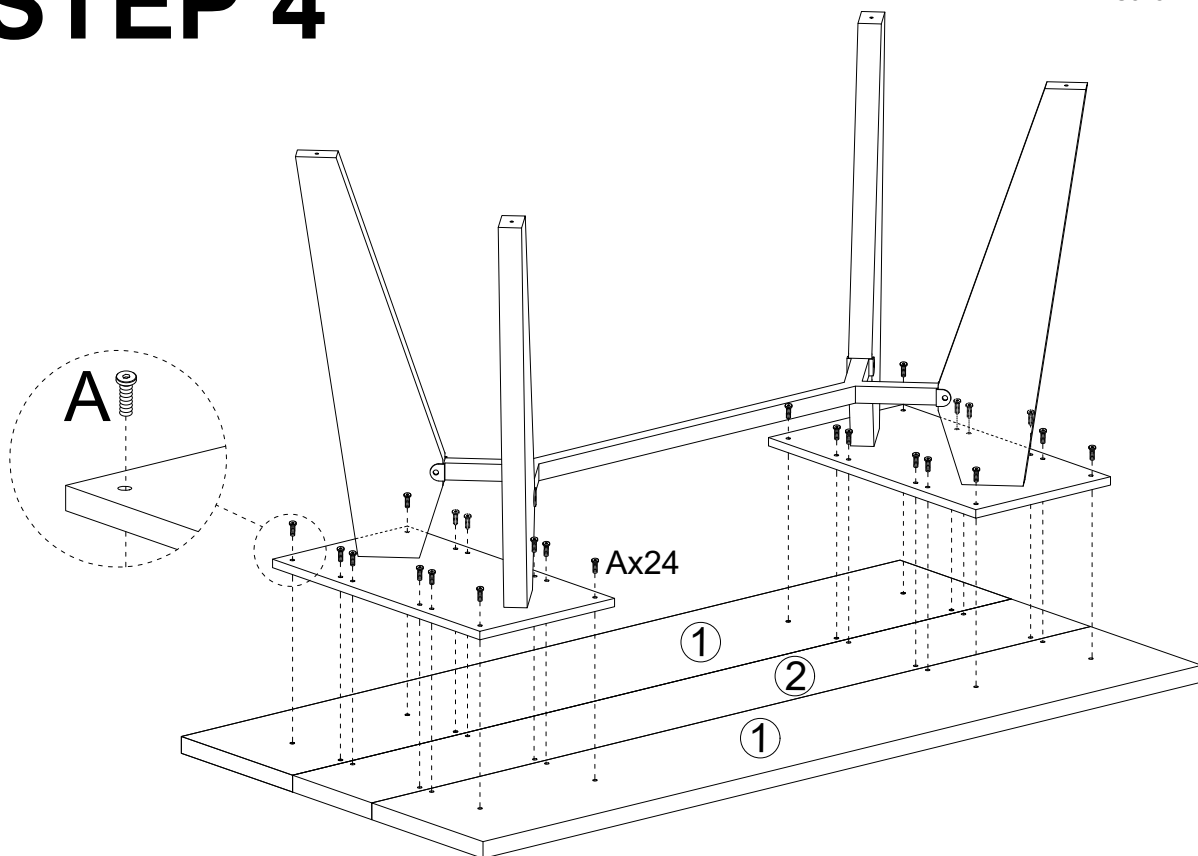
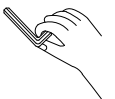
STEP 3

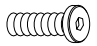


F	X6
	
Ø10X50mm	

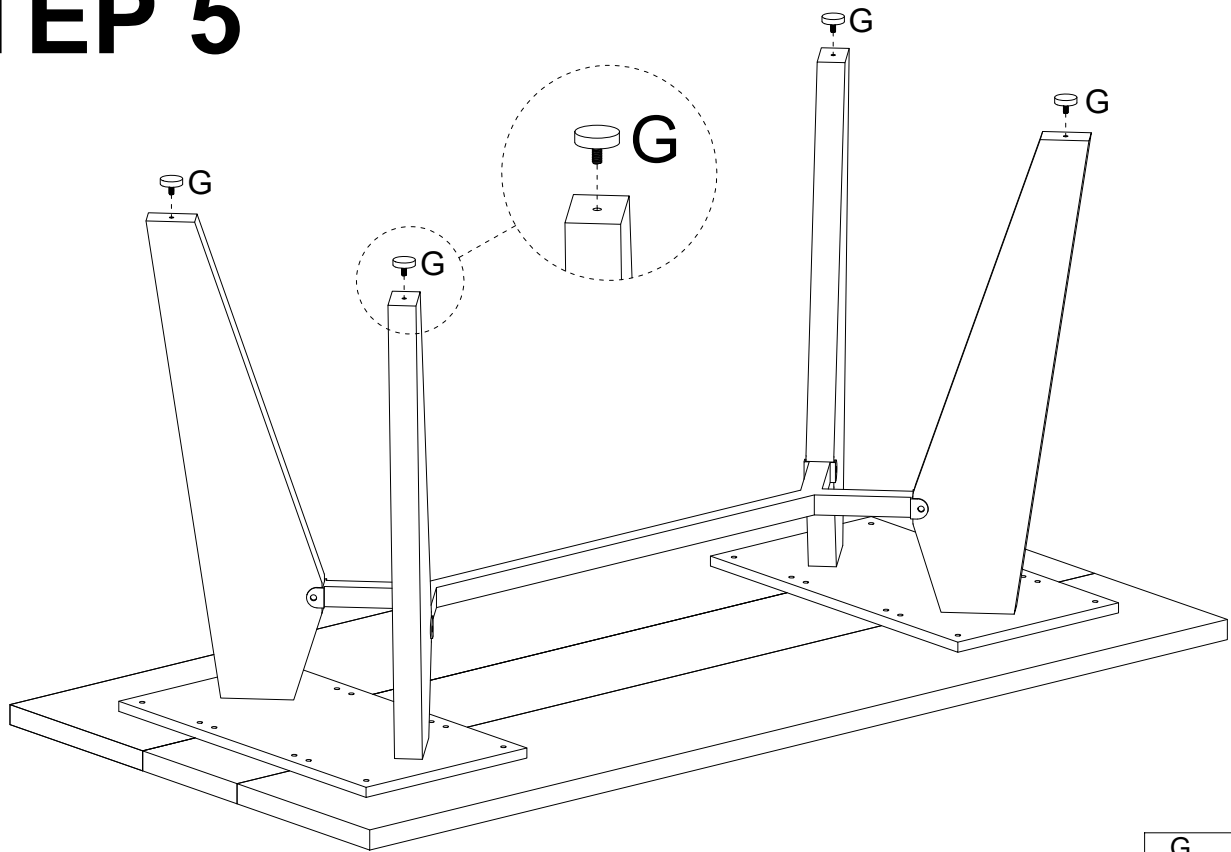
STEP 4

screw down



A	X24
	
M6X30mm	

STEP 5



G	X4
M6XØ30mm	

STEP 6

