

### Features

- For use with select Memoirs one-piece toilets.
- Coordinates with other products in the Memoirs collection.

### Material

- Solid-brass construction for durability and reliability.
- KOHLER finishes resist corrosion and tarnishing.

### Recommended Products/Accessories

K-23723 Faucet cleaner



ADA

### Codes/Standards

ASME A112.18.1/CSA B125.1

ADA




ICC/ANSI A117.1

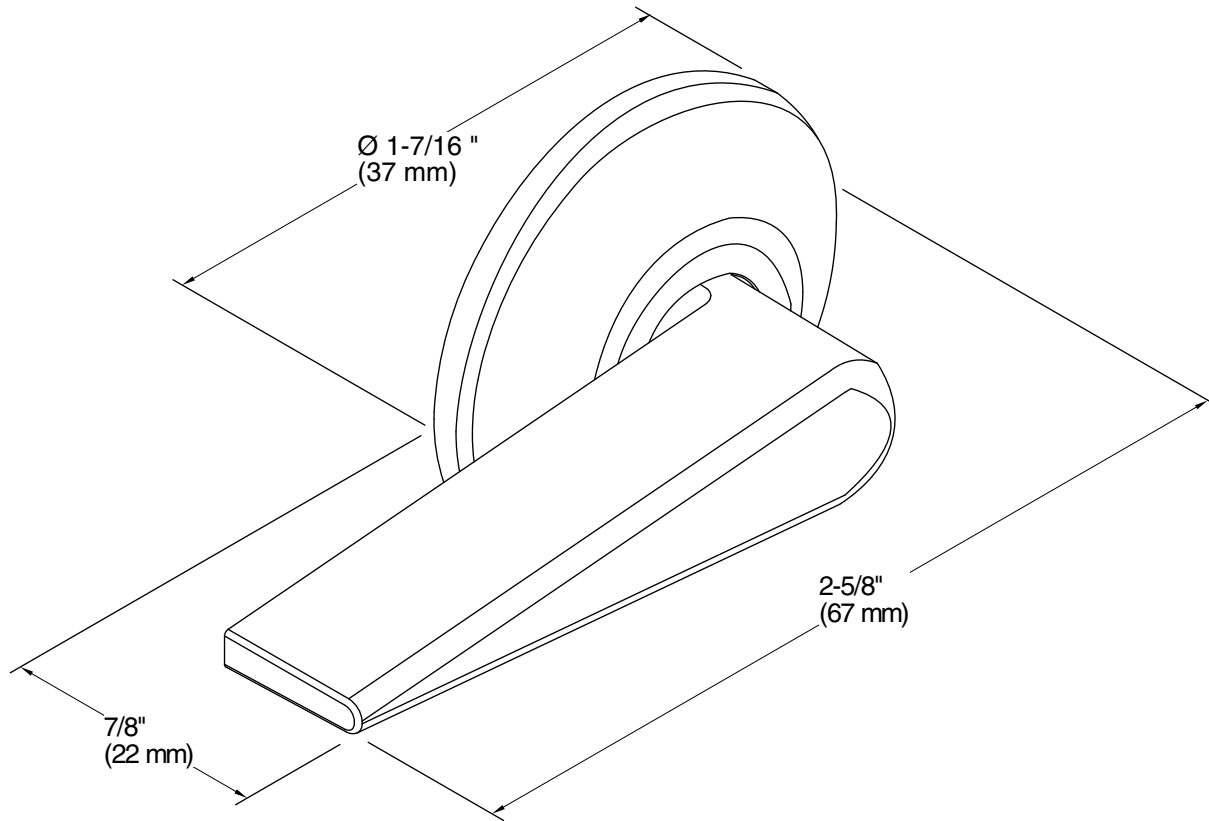
### KOHLER® One-Year Limited Warranty

See website for detailed warranty information.

### Available Colors/Finishes

*Color tiles intended for reference only.*

Color	Code	Description
	SN	Vibrant® Polished Nickel
	PB	Vibrant® Polished Brass
	BN	Vibrant® Brushed Nickel



### Technical Information

All product dimensions are nominal.

Material: Brass

### Notes

ADA compliant when installed to the specific requirements of these regulations.