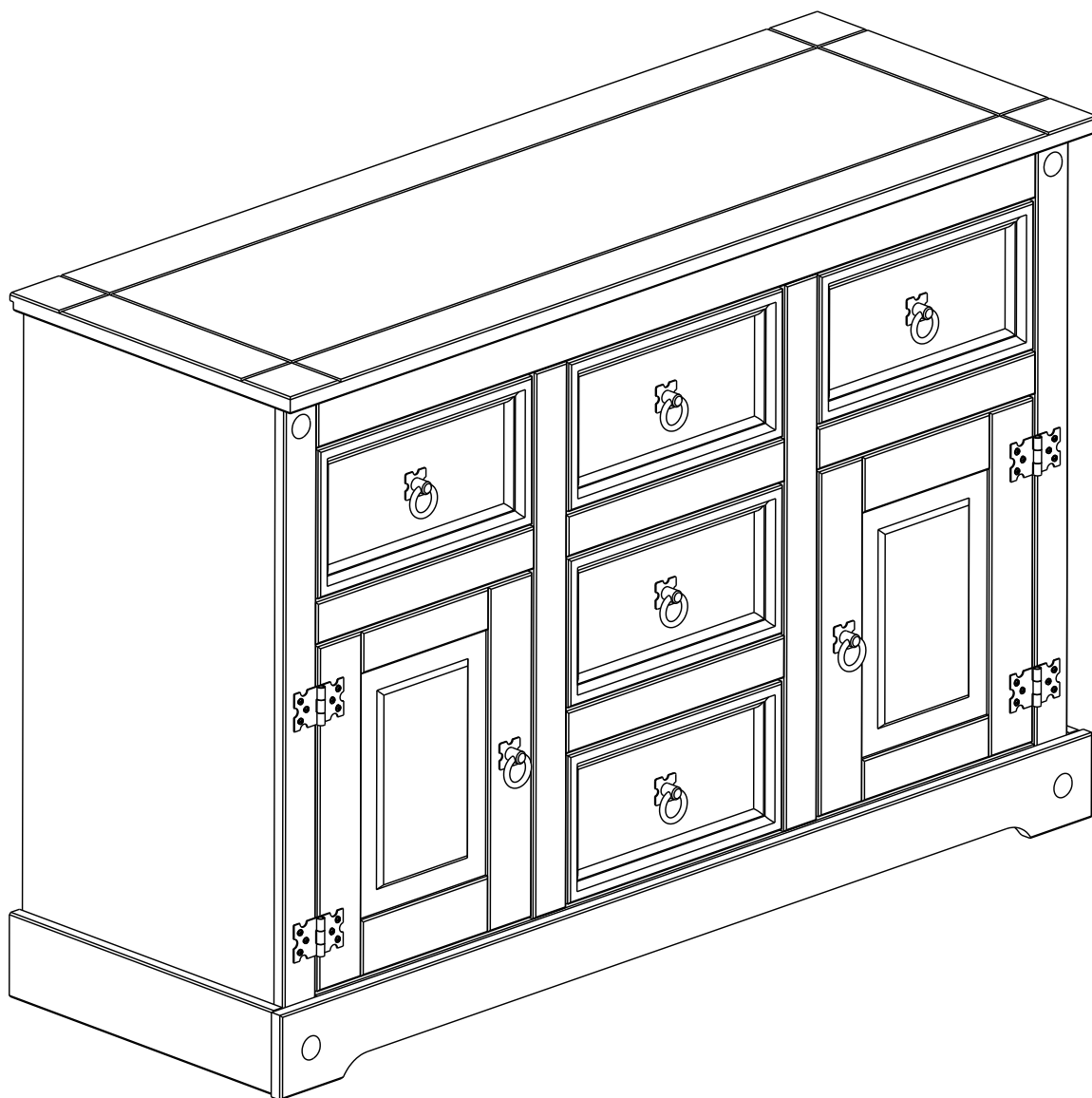


CORONA 2 DOOR 5 DRAWER SIDEBOARD

ASSEMBLY INSTRUCTIONS

Distressed Waxed Pine

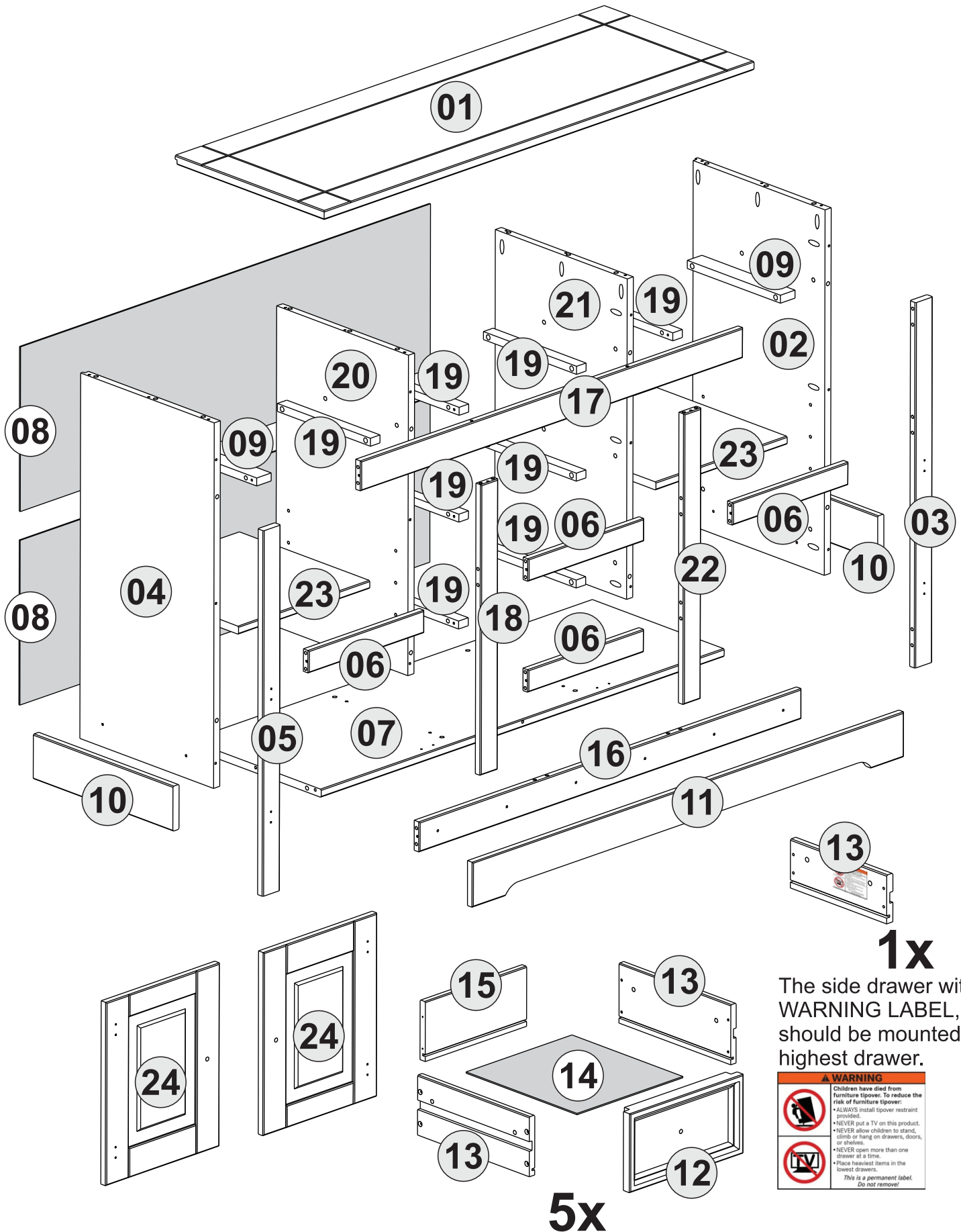


IMPORTANT
PLEASE READ BEFORE YOU CONTINUE FURTHER
FOR DOMESTIC USE ONLY
CARE AND MAINTENANCE

- After unpacking this product please keep the original packaging in case it needs to be returned for any reason.
- Please ensure all fittings and parts are present before commencing with assembly.
- We recommend that you lay a blanket or sheet on the floor to avoid damage to both your floor and the product.
- We strongly recommend that you keep children away from your work area.
- Assemble this product as close to its final position as possible
- Never drag or push products as this could cause damage to the joints making it inferior.
- Do not drag or push items across your furniture as this may cause the surface to scratch.
- Do not place this product next to radiator or in direct sunlight.
- Wood is a natural product and may expand if subjected to damp and may shrink or crack if subjected to heat. Therefore it is recommended that room temperature is maintained, with no sudden temperature fluctuations.
- Make sure any spillage is Wiped off immediately.
- Do not place hot or chilled items directly on to the surface, use a place mat or marking will occur.
- For general cleaning use soft cotton or micro fibre cloth and do not use detergents of any kind.
- Do not place on a wet or damp floor as staining may occur to your floor.
- From time to time it may be necessary to tighten fittings, regular inspections should be carried out.

BEFORE START **READ** QR CODE TO FIND MORE INFORMATIONS
 HOW TO ASSEMBLY THIS PRODUCT:

Distressed Waxed Pine



BEFORE START **READ** QR CODE TO FIND MORE INFORMATIONS
HOW TO ASSEMBLY THIS PRODUCT:

Distressed Waxed Pine

Please Note:

The parts below have been stamped with the part number/color to help identify them during assembly

PARTS LIST

Part Number	Part Description	Quantity	Carton
01	Top Panel	1	1/1
02	Right Side Panel	1	1/1
03	Right Front Upright	1	1/1
04	Left Side Panel	1	1/1
05	Left Front Upright	1	1/1
06	Front Crossbeam Short	4	1/1
07	Base	1	1/1
08	Back Panel	2	1/1
09	Drawer Runner	2	1/1
10	Side Foot	2	1/1
11	Front Foot	1	1/1
12	Drawer Front	5	1/1
13	Drawer Side	10	1/1
14	Drawer Bottom	5	1/1
15	Drawer Back	5	1/1
16	Front Crossbeam Lower	1	1/1
17	Front Crossbeam Top	1	1/1
18	Left Vertical Crossbeam	1	1/1
19	Central Drawer Runner	8	1/1
20	Left Division Panel	1	1/1
21	Right Division Panel	1	1/1
22	Right Vertical Crossbeam	1	1/1
23	Shelf Movel	2	1/1
24	Door	2	1/1



* Use of power tools to assemble this product will invalidate any claim and damage this product making it unsafe !!!
* Please assemble on a clean soft surface to avoid damage.

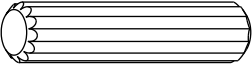
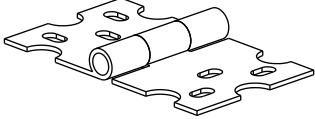



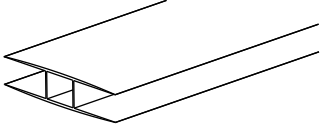

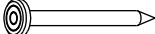
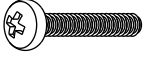
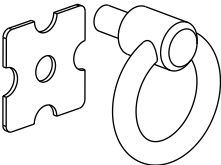
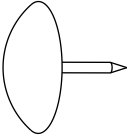





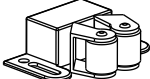


* Please check contents and read the instructions before commencing assembly.
* Assemble this product following the enclosed instructions carefully.
* Please take care to avoid damaging panels during assembly.

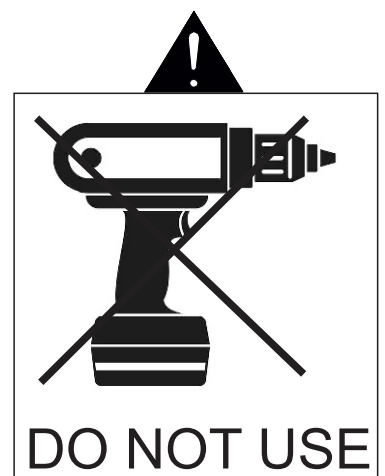
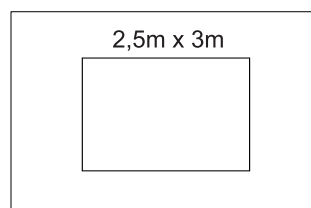
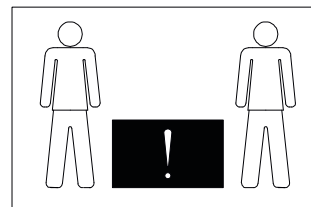
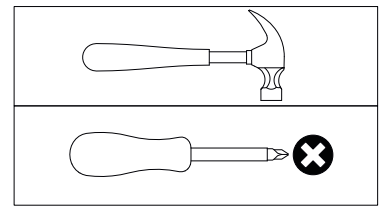
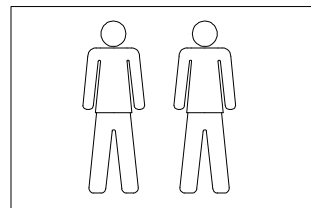
BEFORE START **READ** QR CODE TO FIND MORE INFORMATIONS
HOW TO ASSEMBLY THIS PRODUCT:

Distressed Waxed Pine

FITTINGS

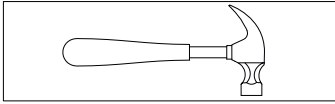
A	 Ø8 x 30mm	60	O		04
B	 Ø3,5 x 30mm	76	P		08
C	 Ø3,0 x 30mm	40	Q	 1048mm	01
D	 Ø4,0 x 40mm	08			
E	 8 x 8mm	30			
F	 3/16 x 5/8	07			
G		07			
H		04			
I	 Ø6 x 30mm	32			
J	 Ø3,5 x 14mm	32			
K	 Strap	01			
L	 Washer	02			
M		02			
N		02			

TOOLS REQUIRED



STEP 1

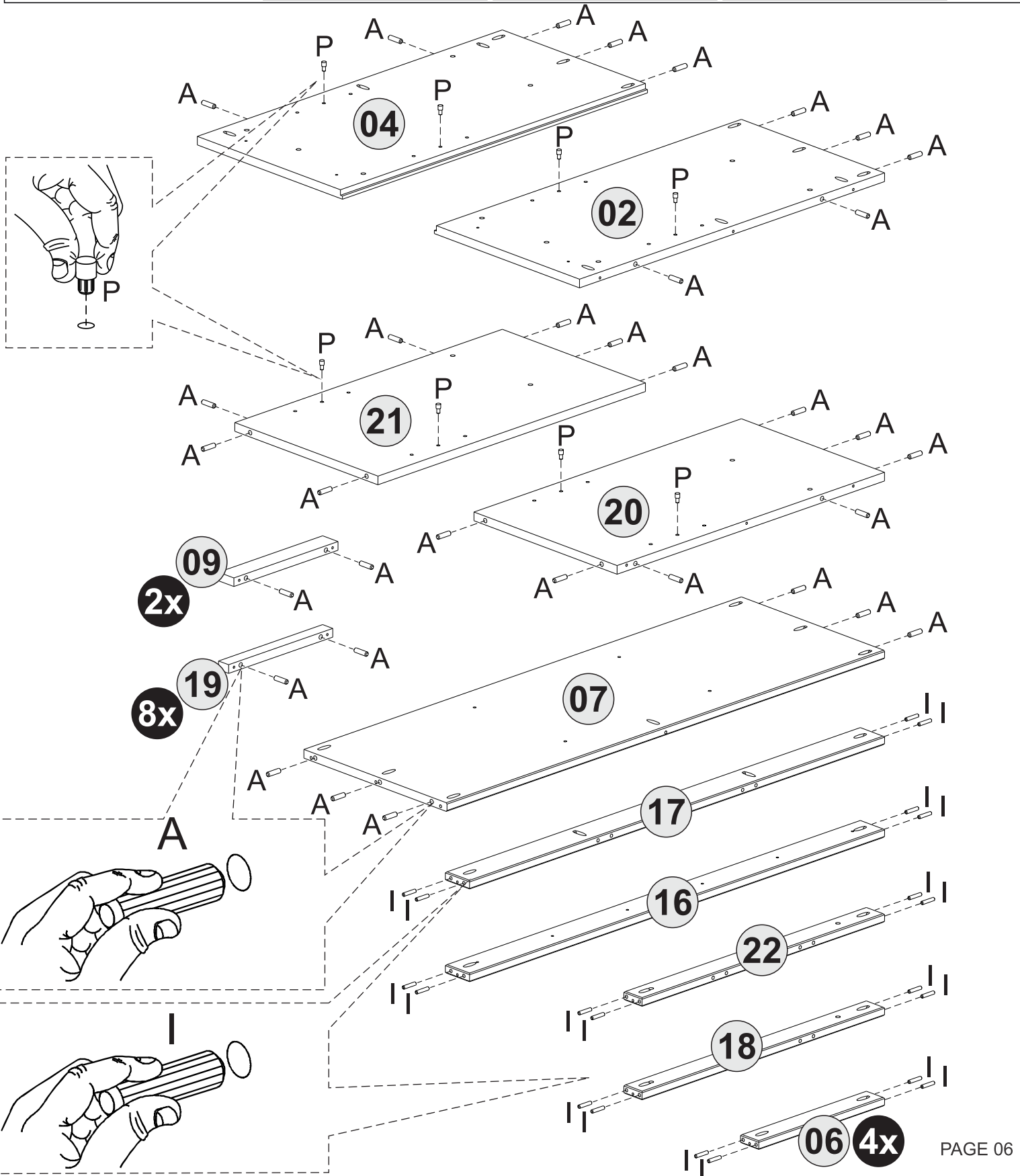
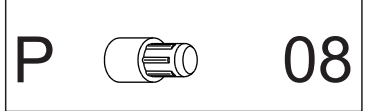
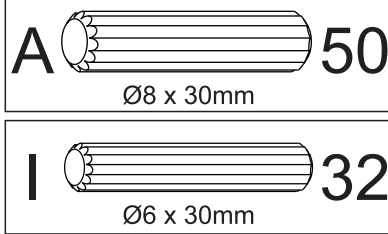
TOOLS REQUIRED



PARTS REQUIRED

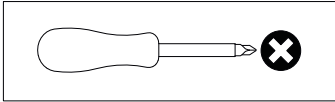
02 - RIGHT SIDE PANEL	x1
04 - LEFT SIDE PANEL	x1
06 - FRONT CROSSBEAM SHORT	x4
07 - BASE	x1
09 - DRAWER RUNNER	x2
16 - FRONT CROSSBEAM LOWER	x1
17 - FRONT CROSSBEAM TOP	x1
18 - LEFT VERTICAL CROSSBEAM	x1
19 - CENTRAL DRAWER RUNNER	x8
20 - LEFT DIVISION PANEL	x1
21 - RIGHT DIVISION PANEL	x1
22 - RIGHT VERTICAL CROSSBEAM	x1

HARDWARE REQUIRED



STEP 2

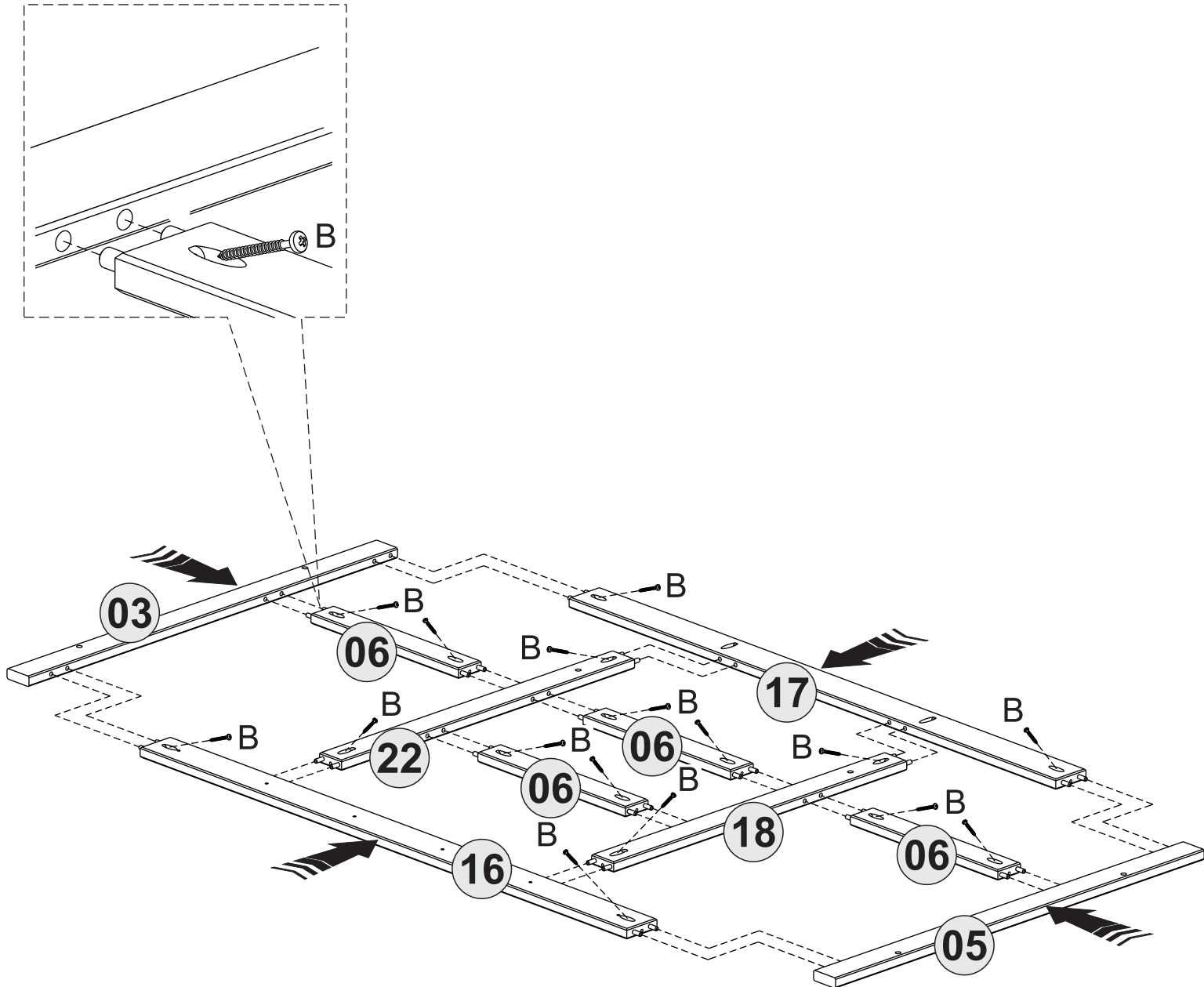
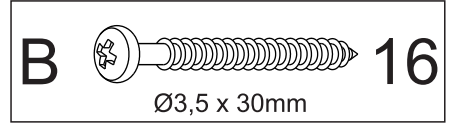
TOOLS REQUIRED



PARTS REQUIRED

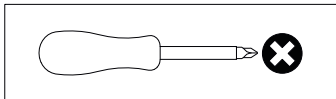
- 3 - RIGHT FRONT UPRIGHT **x1**
- 5 - LEFT FRONT UPRIGHT **x1**
- 06 - FRONT CROSSBEAM SHORT **x4**
- 16 - FRONT CROSSBEAM LOWER **x1**
- 17 - FRONT CROSSBEAM TOP **x1**
- 18 - LEFT VERTICAL CROSSBEAM **x1**
- 22 - RIGHT VERTICAL CROSSBEAM **x1**

HARDWARE REQUIRED



STEP 3

TOOLS REQUIRED

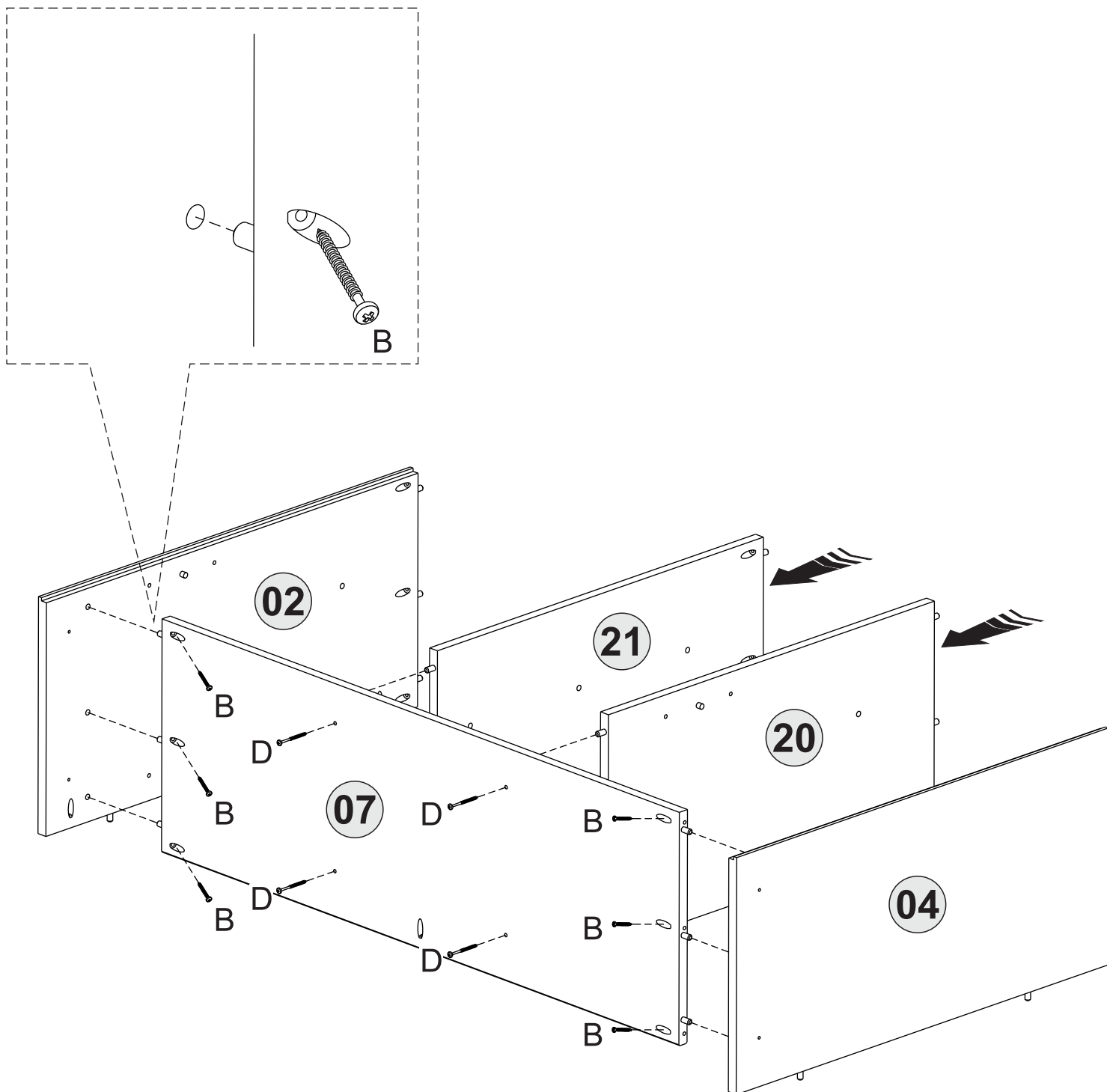


PARTS REQUIRED

2 - RIGHT SIDE PANEL	x1
4 - LEFT SIDE PANEL	x1
7 - BASE	x1
20 - LEFT DIVISION PANEL	x1
21 - RIGHT DIVISION PANEL	x1

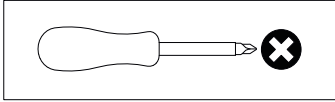
HARDWARE REQUIRED

B		06
D		04

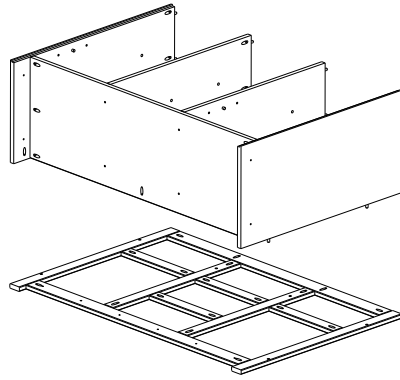


STEP 4

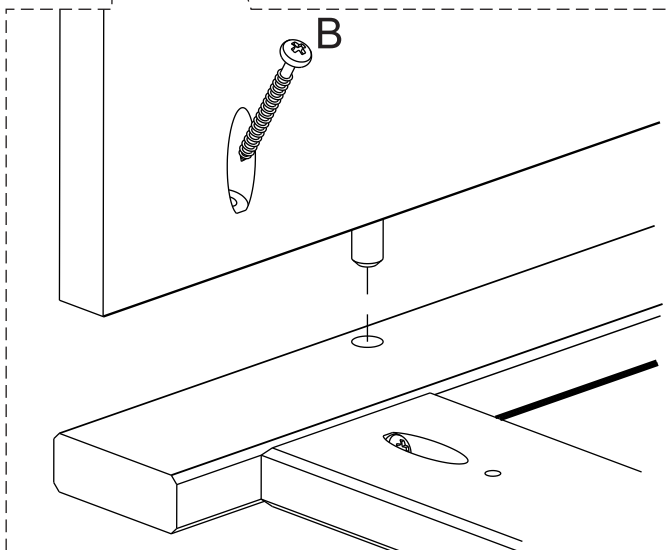
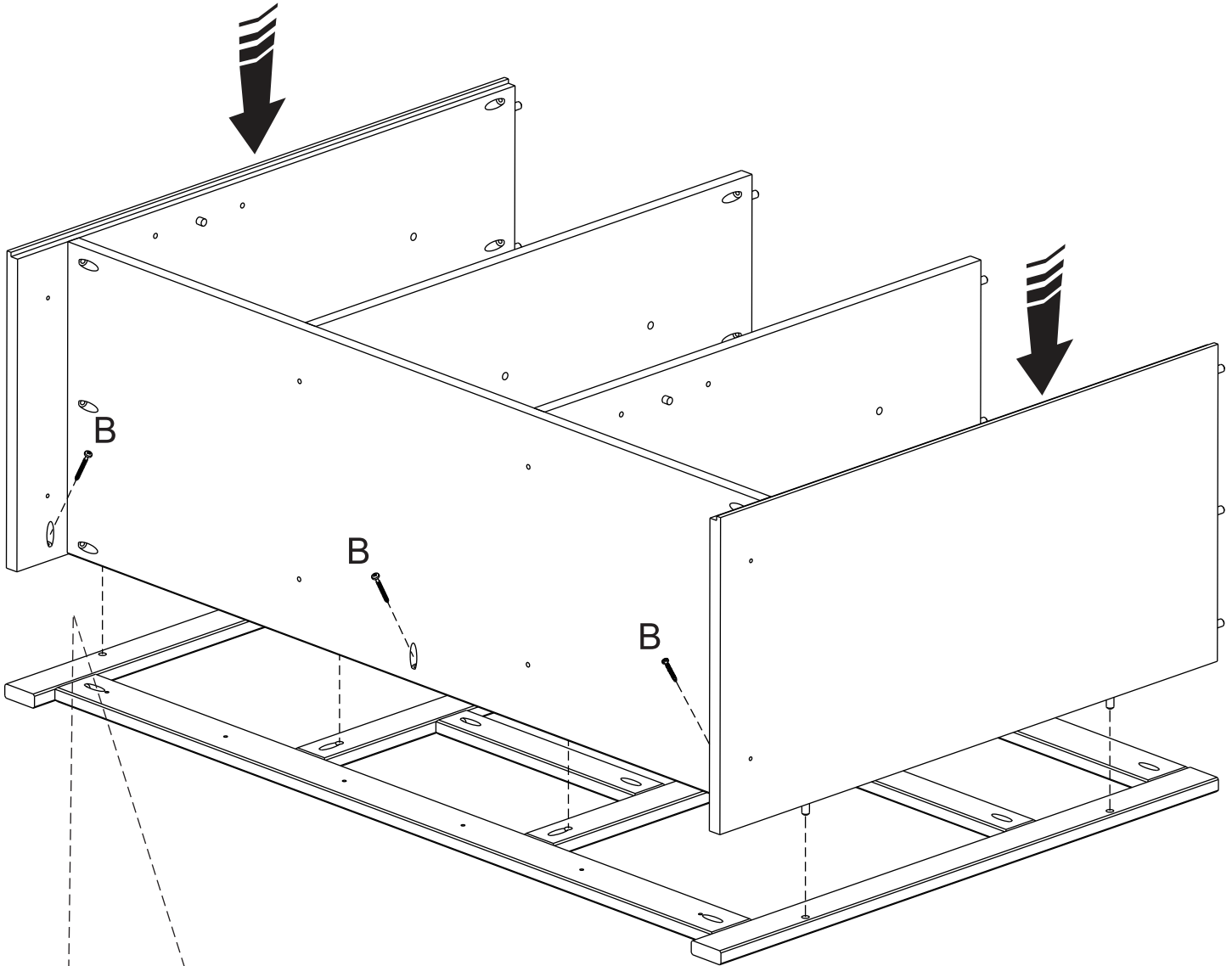
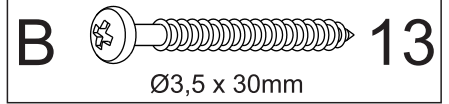
TOOLS REQUIRED



PARTS REQUIRED

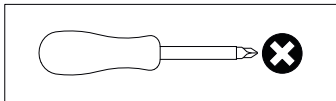


HARDWARE REQUIRED



STEP 5

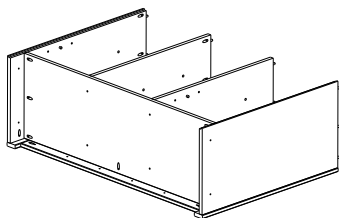
TOOLS REQUIRED



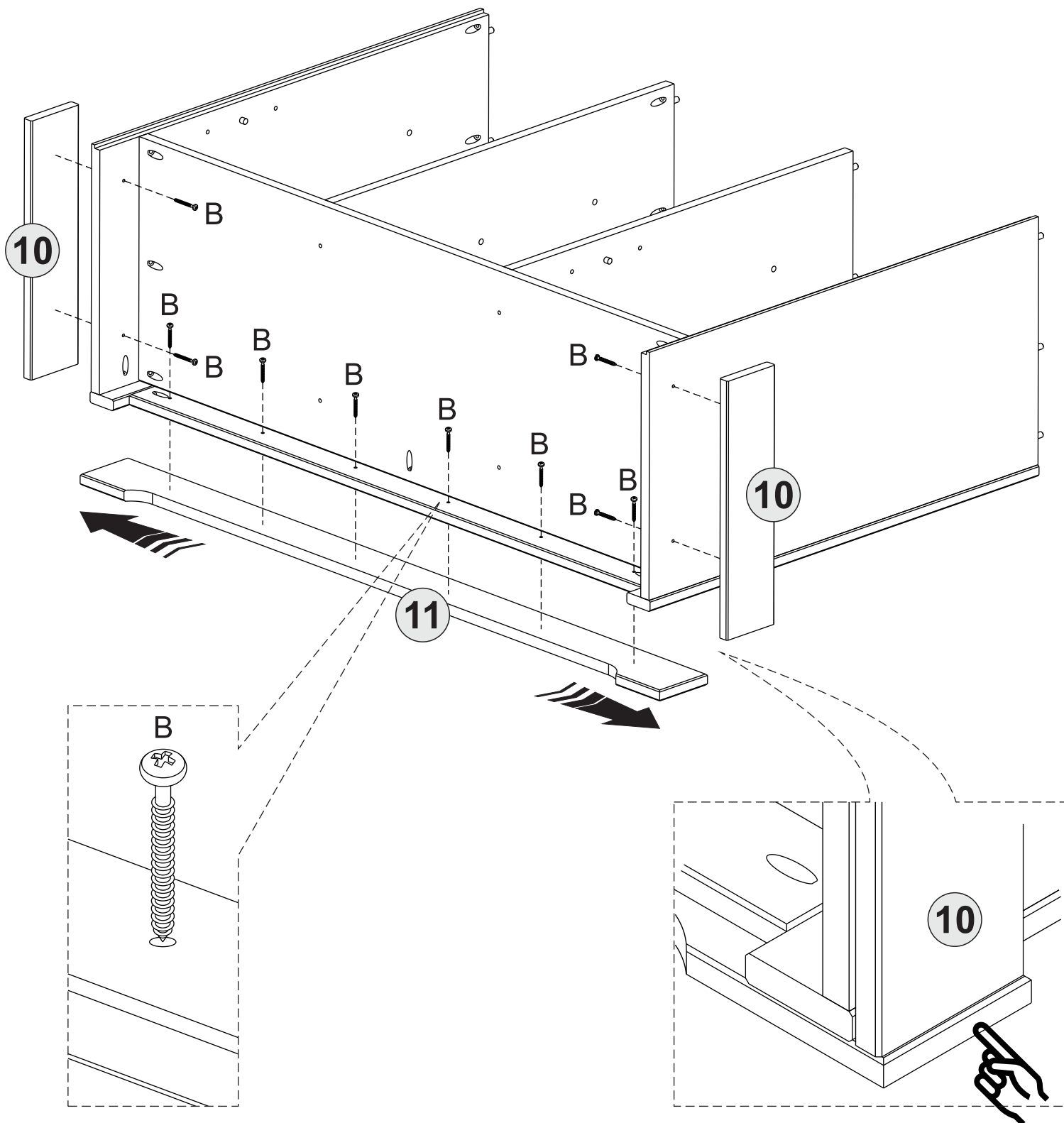
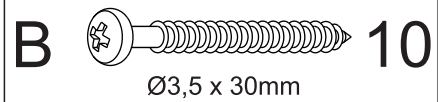
PARTS REQUIRED

10 - SIDE FOOT x2

11 - FRONT FOOT x1



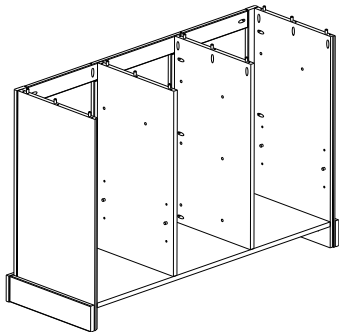
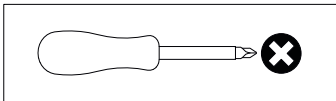
HARDWARE REQUIRED



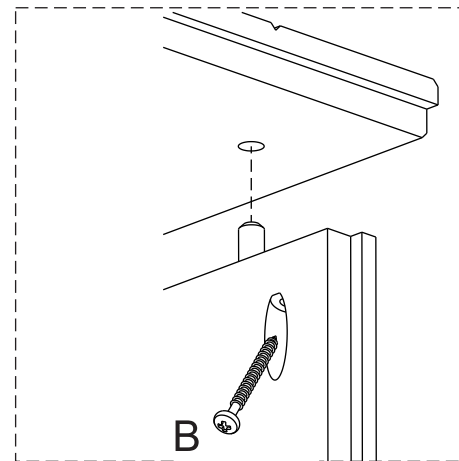
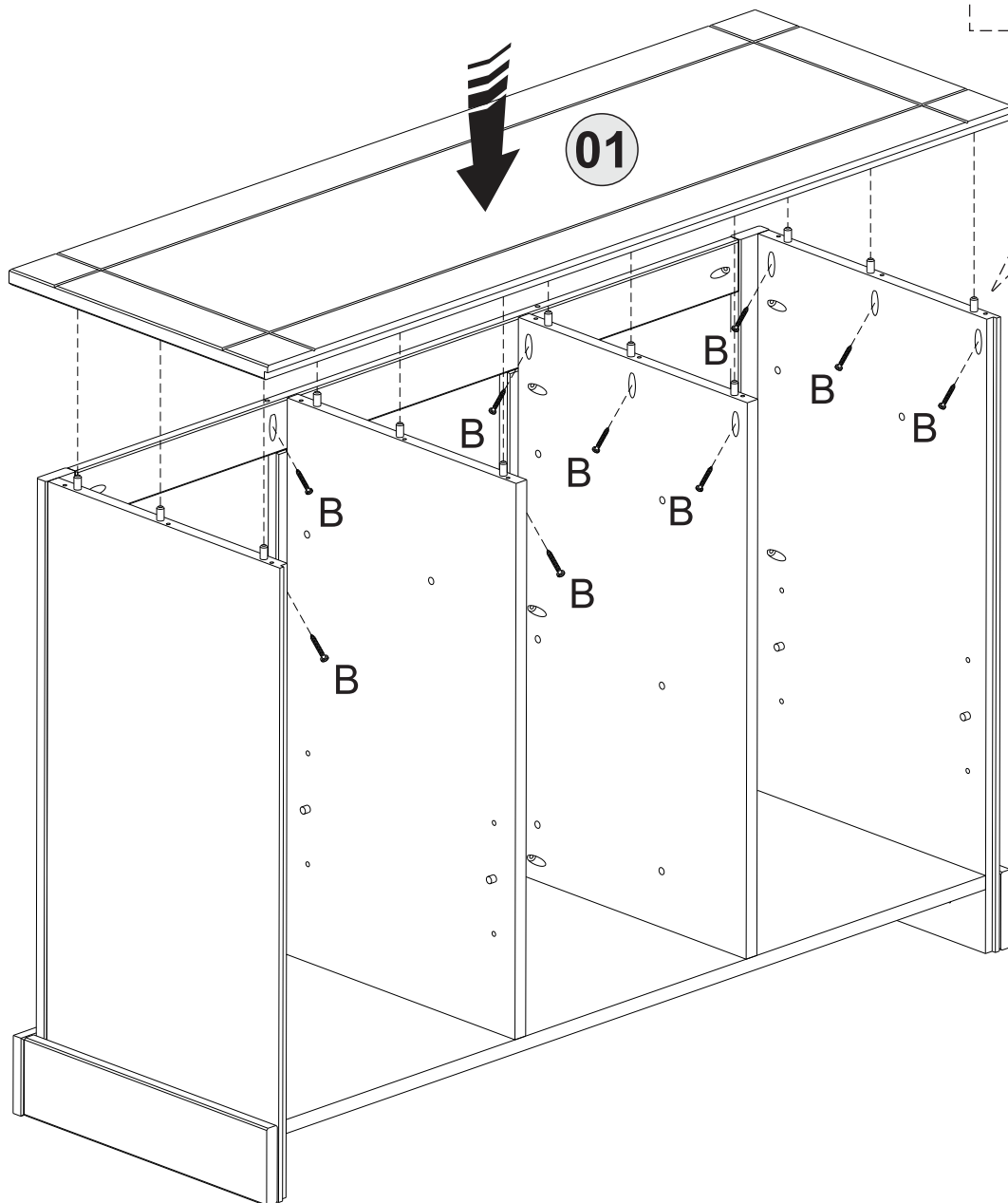
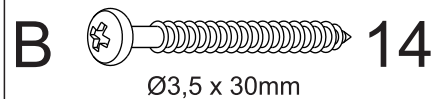
STEP 6

PARTS REQUIRED
1 - TOP PANEL x1

TOOLS REQUIRED



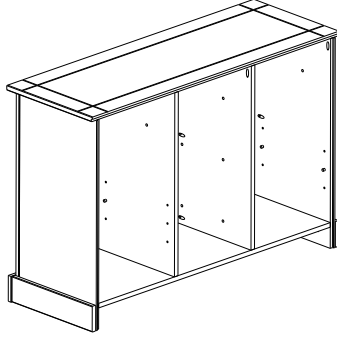
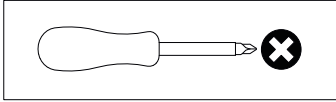
HARDWARE REQUIRED



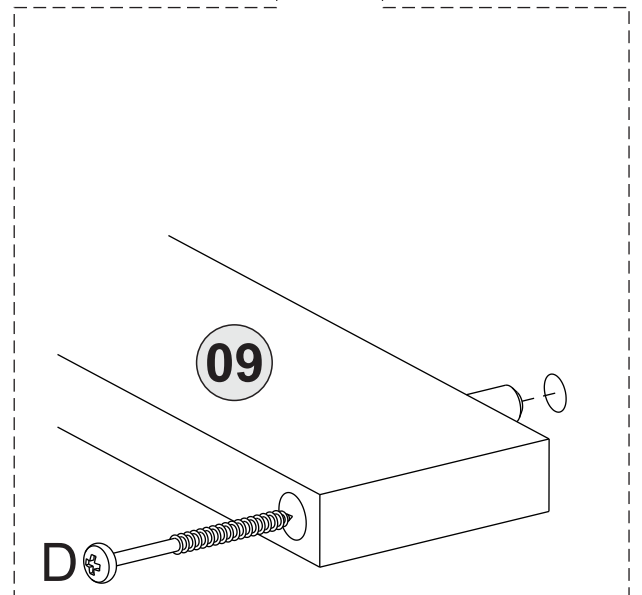
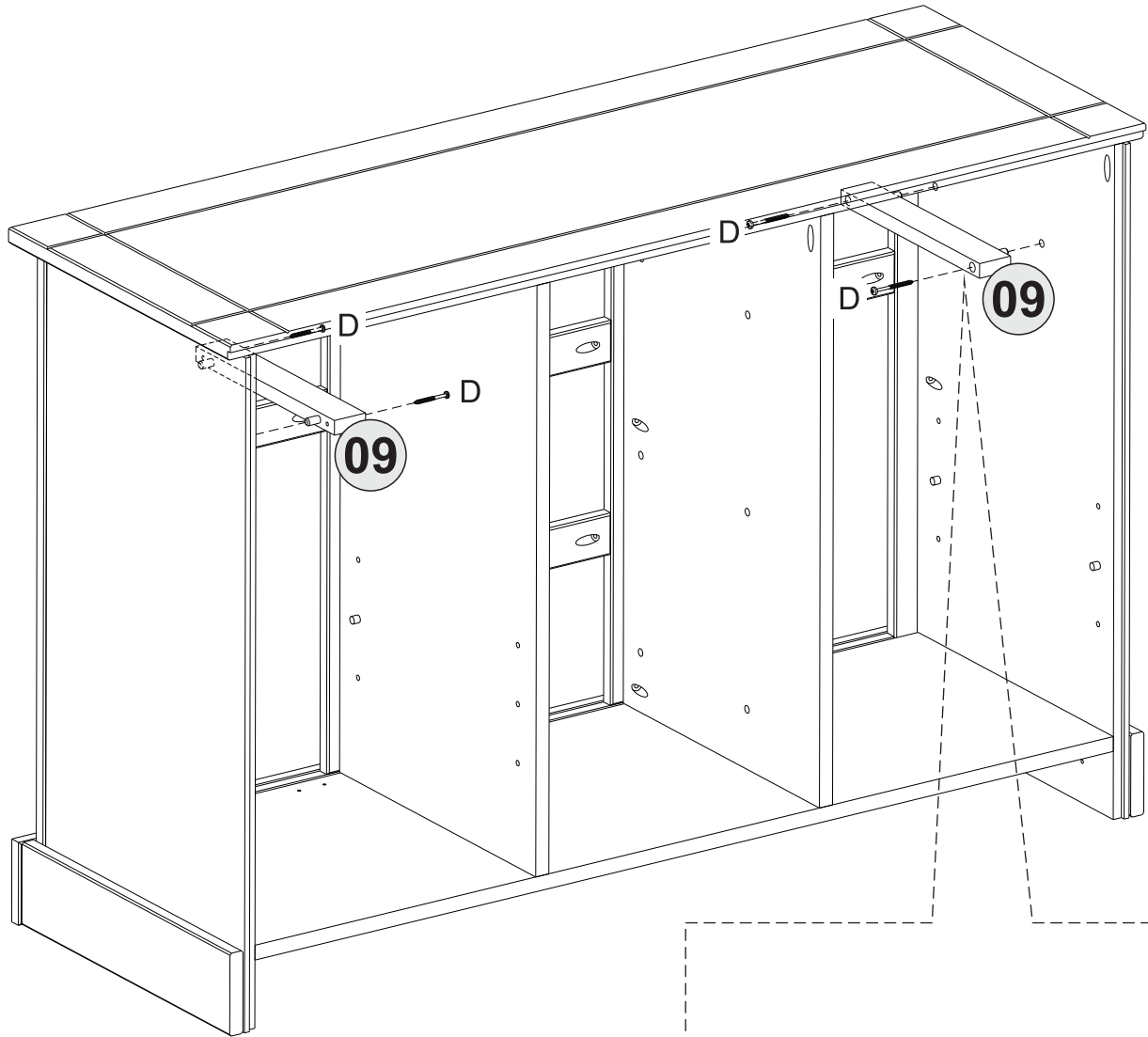
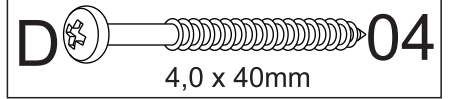
STEP 7

PARTS REQUIRED
9 - DRAWER RUNNER **x2**

TOOLS REQUIRED

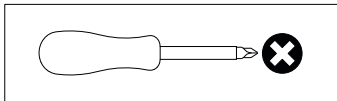


HARDWARE REQUIRED



STEP 8

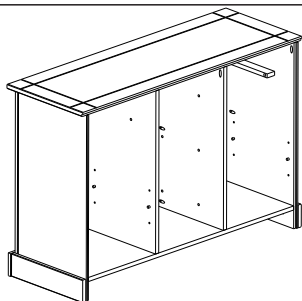
TOOLS REQUIRED



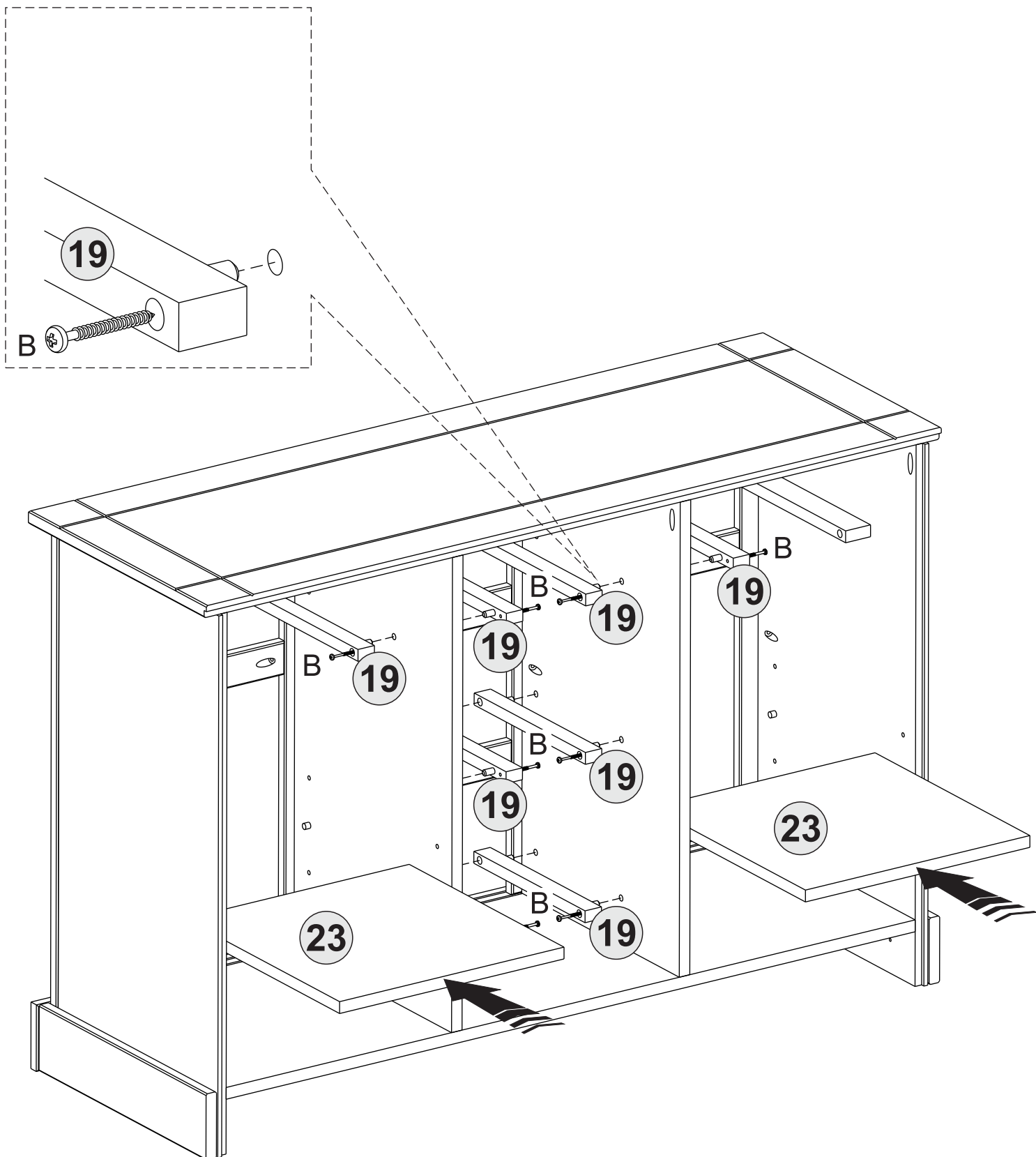
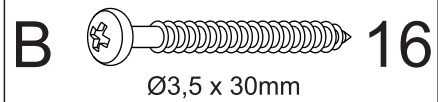
PARTS REQUIRED

19 - CENTRAL DRAWER RUNNER **x8**

23 - SHELF MOVEL **x2**



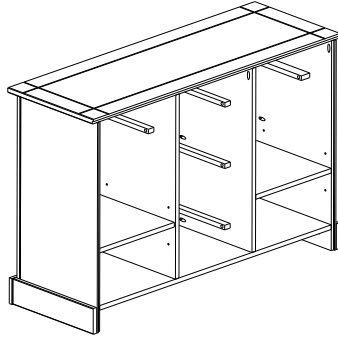
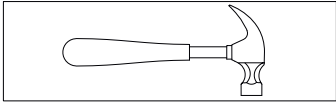
HARDWARE REQUIRED



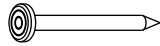
STEP 9


PARTS REQUIRED
8 - BACK PANEL x2

TOOLS REQUIRED

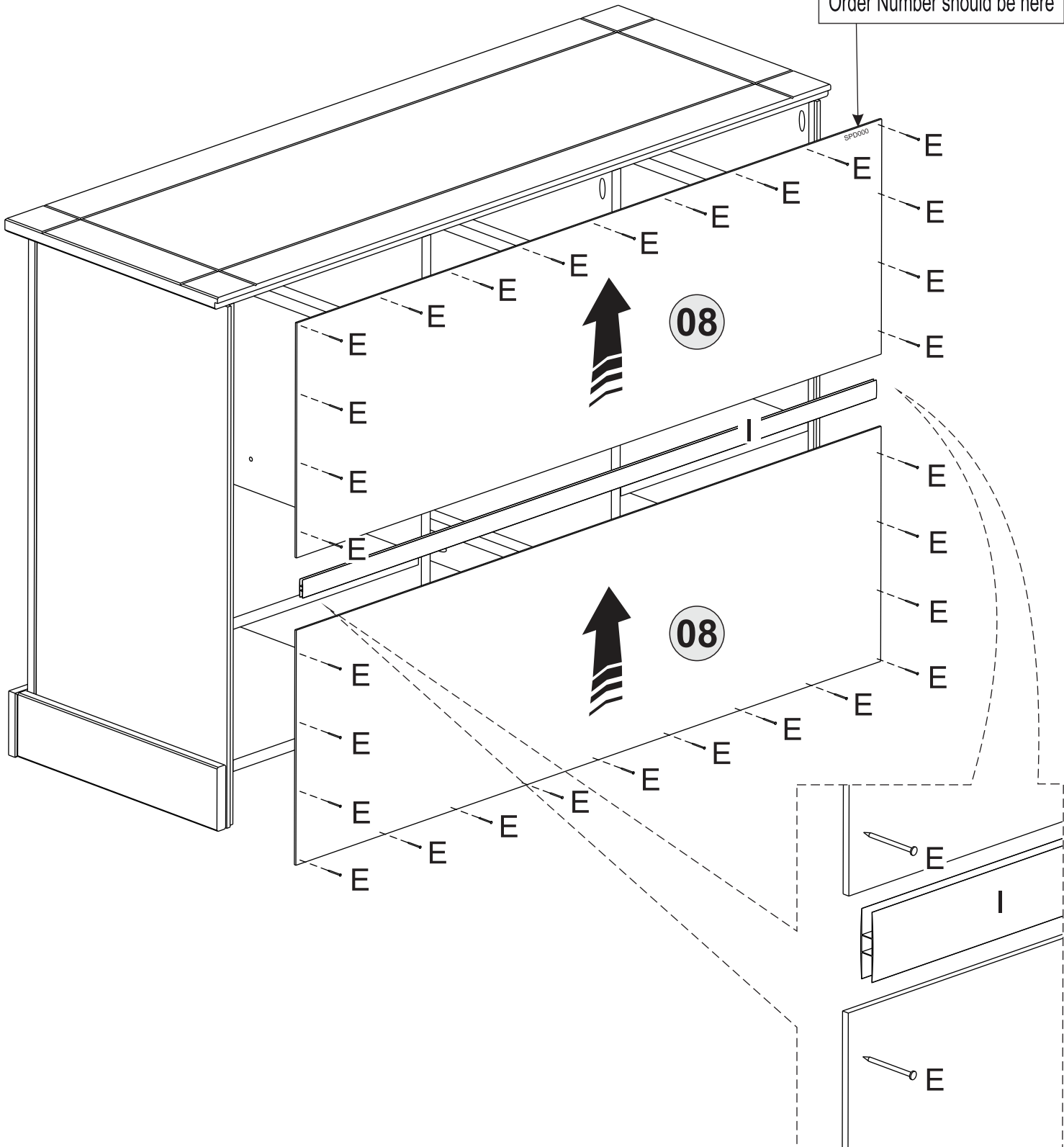


HARDWARE REQUIRED

E  30
8 x 8mm

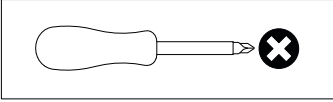
I  01
1048mm

* For your future reference
Order Number should be here



STEP 10

TOOLS REQUIRED

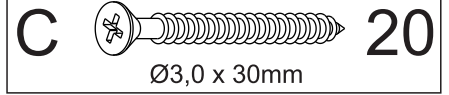


PARTS REQUIRED

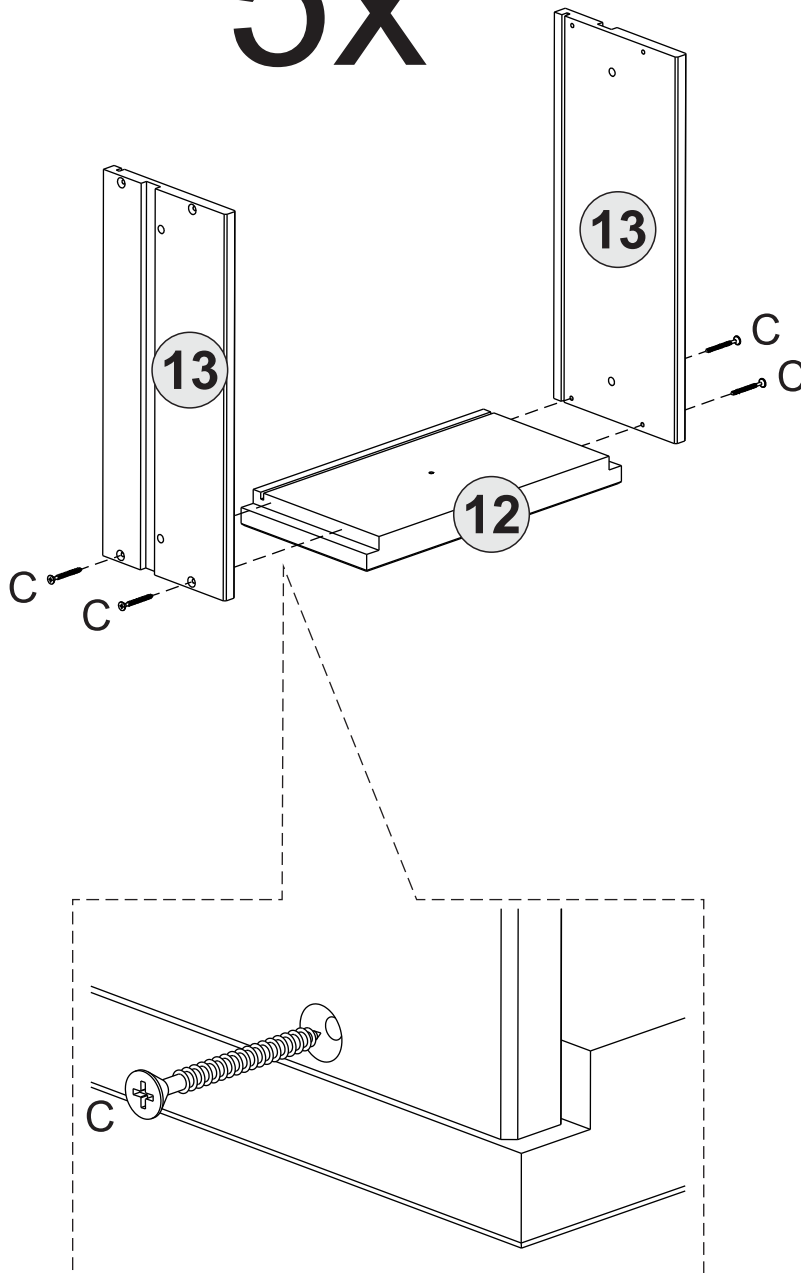
12 - DRAWER FRONT **x5**

13 - DRAWER SIDE **x10**

HARDWARE REQUIRED

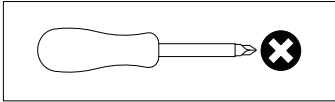


5x



STEP 11

TOOLS REQUIRED

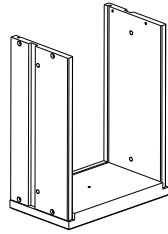
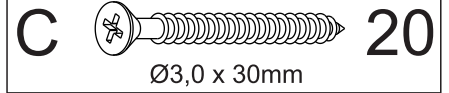


PARTS REQUIRED

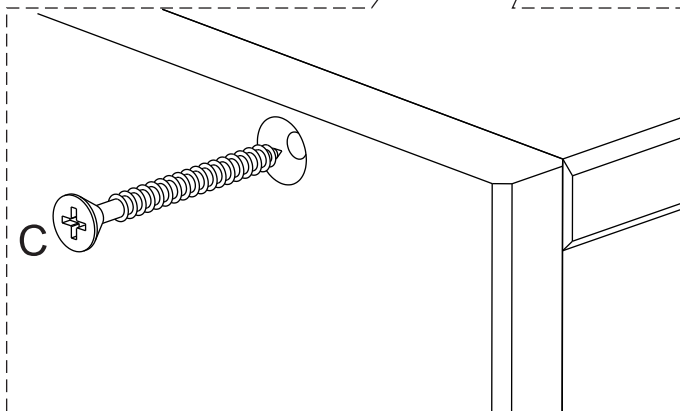
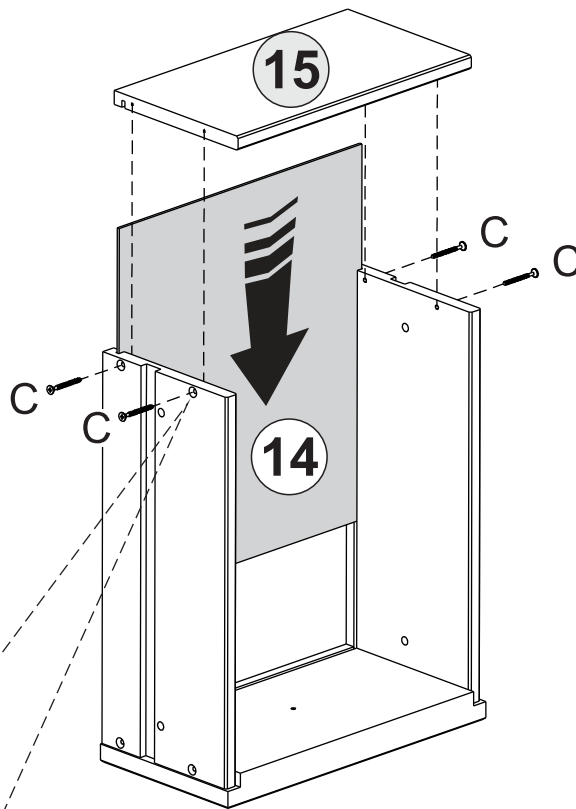
14 - DRAWER BOTTOM **x5**

15 - DRAWER BACK **x5**

HARDWARE REQUIRED

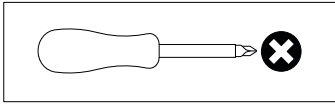


5x

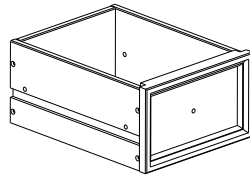


STEP 12

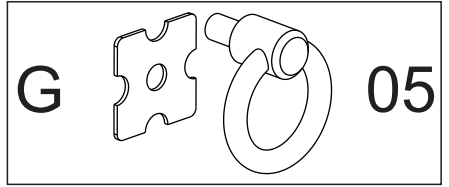
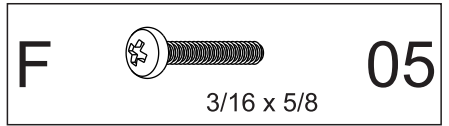
TOOLS REQUIRED



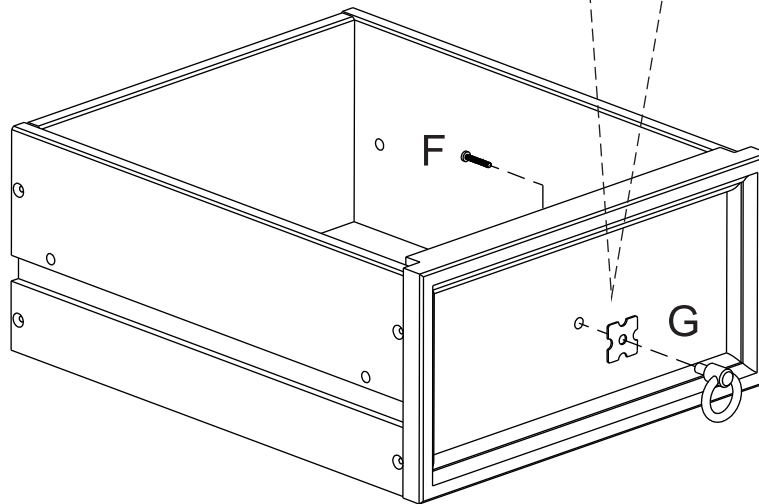
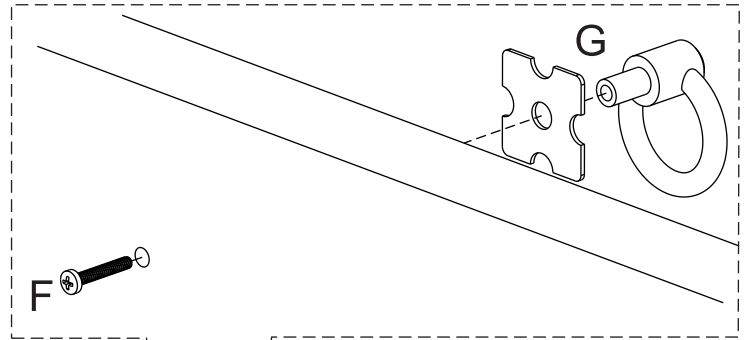
PARTS REQUIRED



HARDWARE REQUIRED

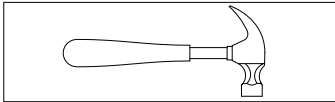


5x

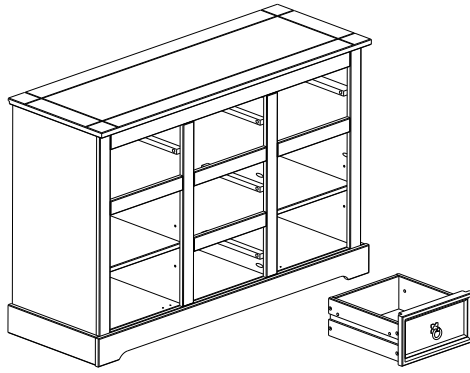


STEP 13

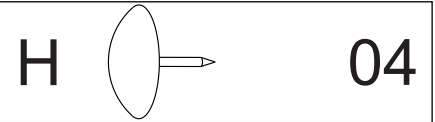
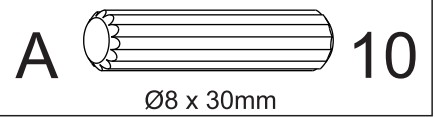
TOOLS REQUIRED



PARTS REQUIRED



HARDWARE REQUIRED

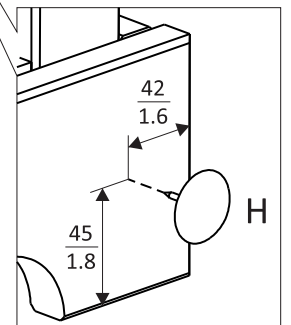
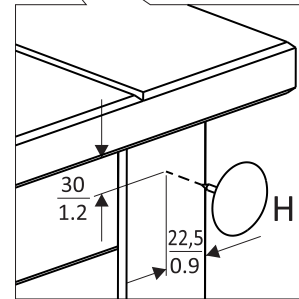
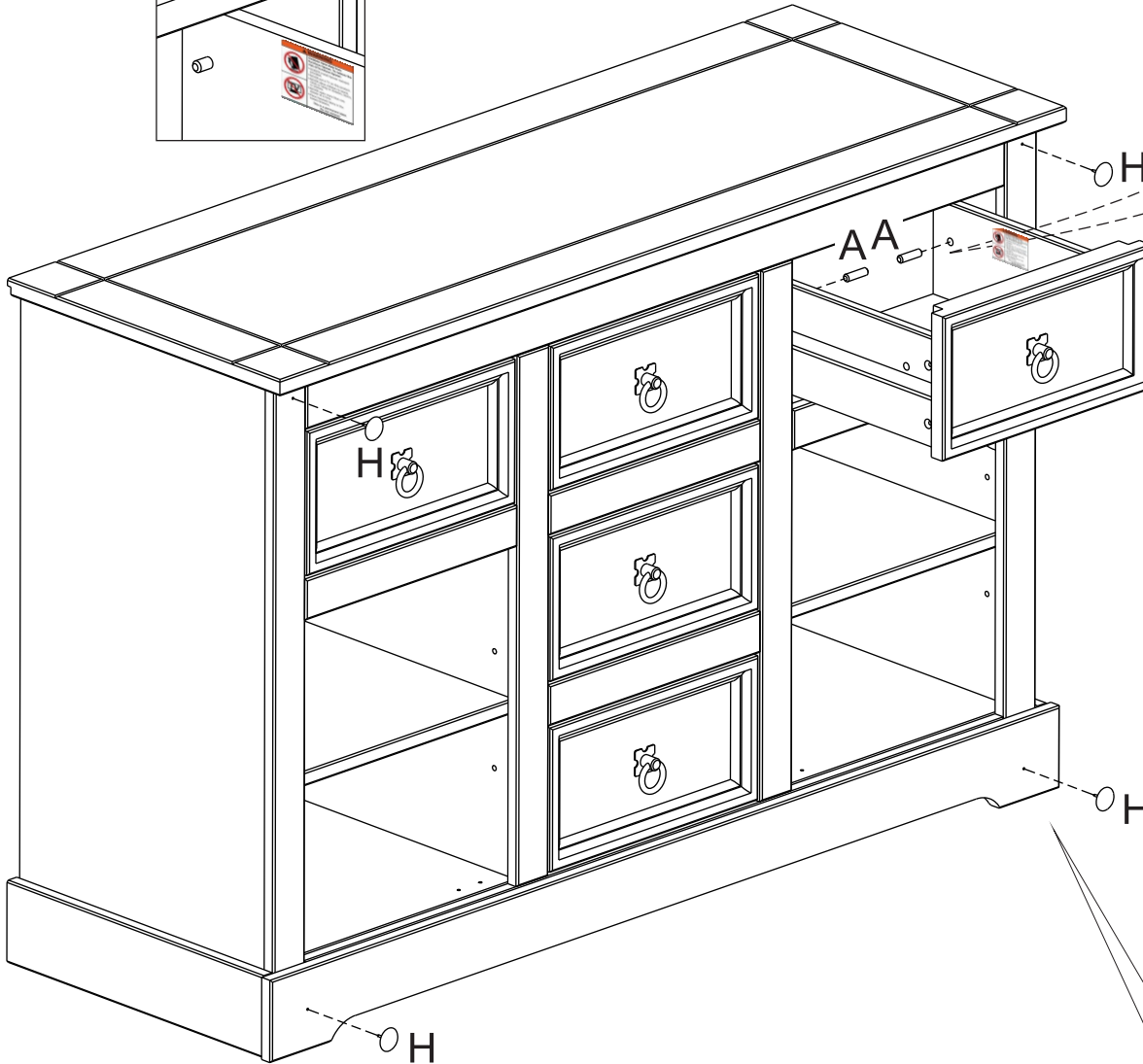
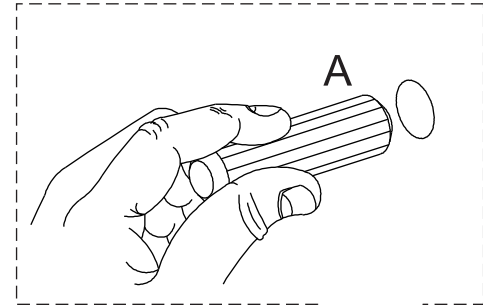


WARNING
Children have died from furniture tipover. To reduce the risk of furniture tipover:

- ALWAYS install tipover restraint provided.
- NEVER put a TV on this product.
- NEVER allow children to stand, climb or hang on drawers, doors, or shelves.
- NEVER open more than one drawer at a time.
- Place heaviest items in the lowest drawers.

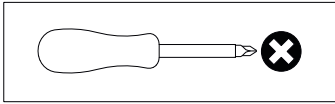
This is a permanent label. Do not remove!

The assembled drawer with this warning must be placed on top of the unit.

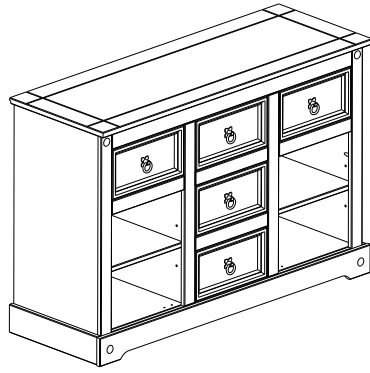


STEP 14

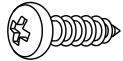
TOOLS REQUIRED




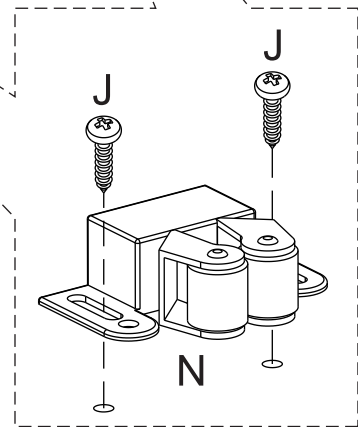
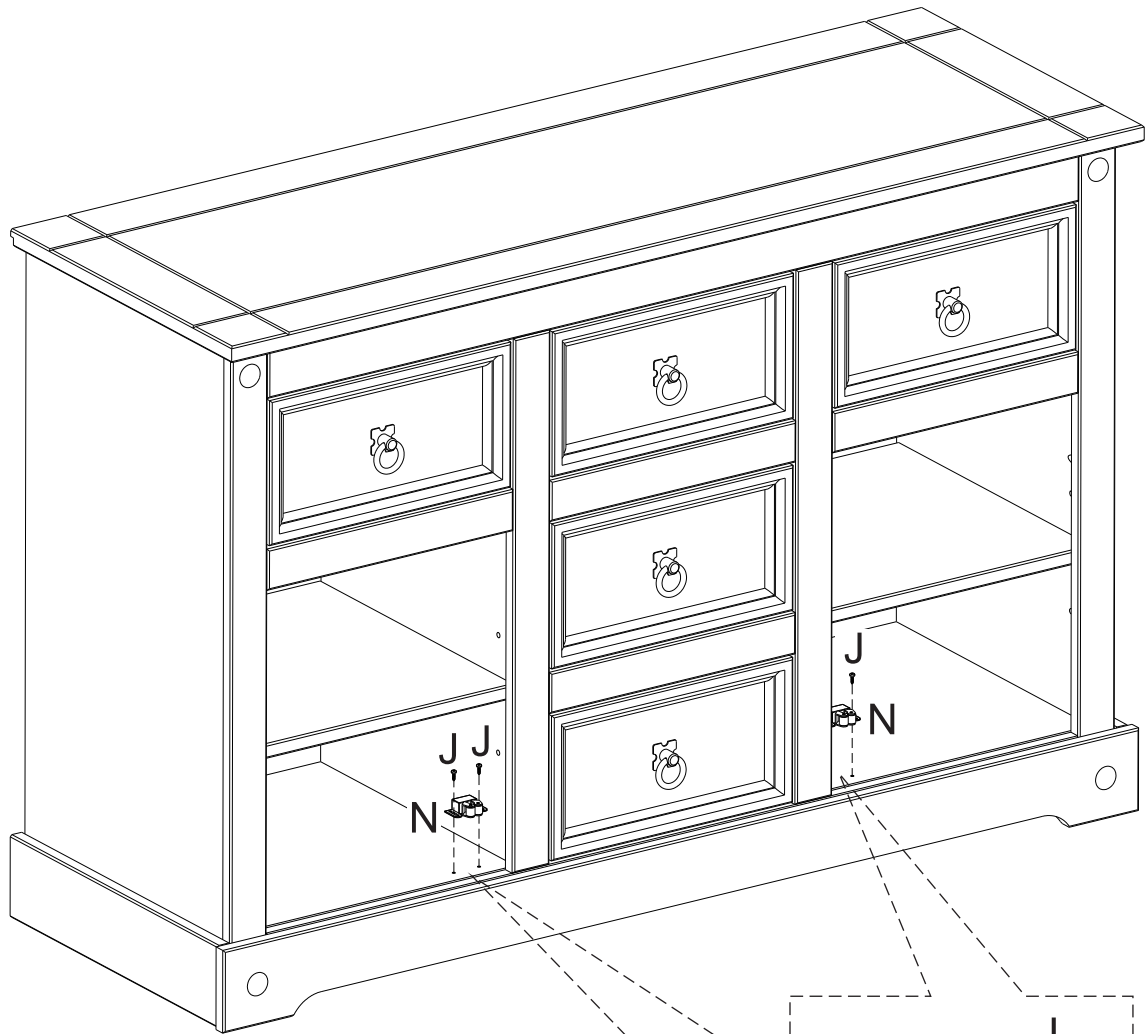
PARTS REQUIRED



HARDWARE REQUIRED

J  **04**
Ø3,5 x 14mm

N  **02**

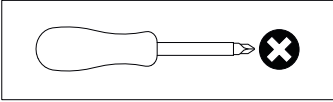


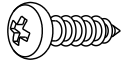
STEP 15

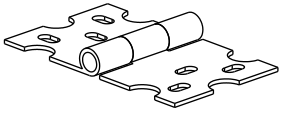
PARTS REQUIRED
24 - DOOR **x2**

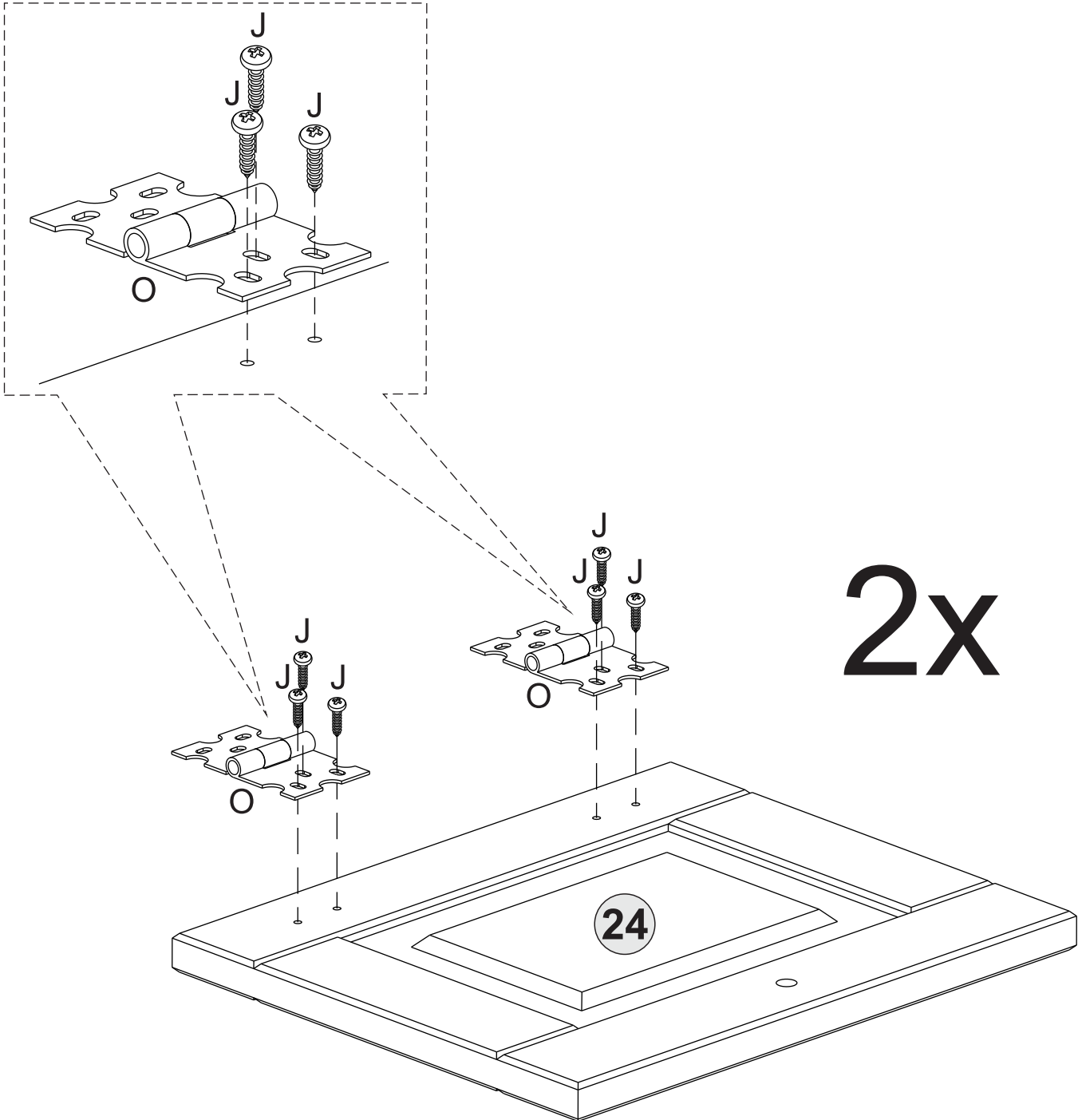
HARDWARE REQUIRED

TOOLS REQUIRED



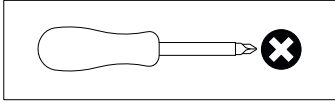
J  **12**
Ø3,5 x 14mm

O  **04**

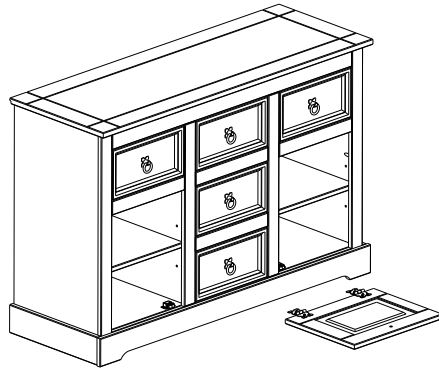


STEP 16

TOOLS REQUIRED

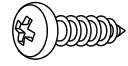


PARTS REQUIRED



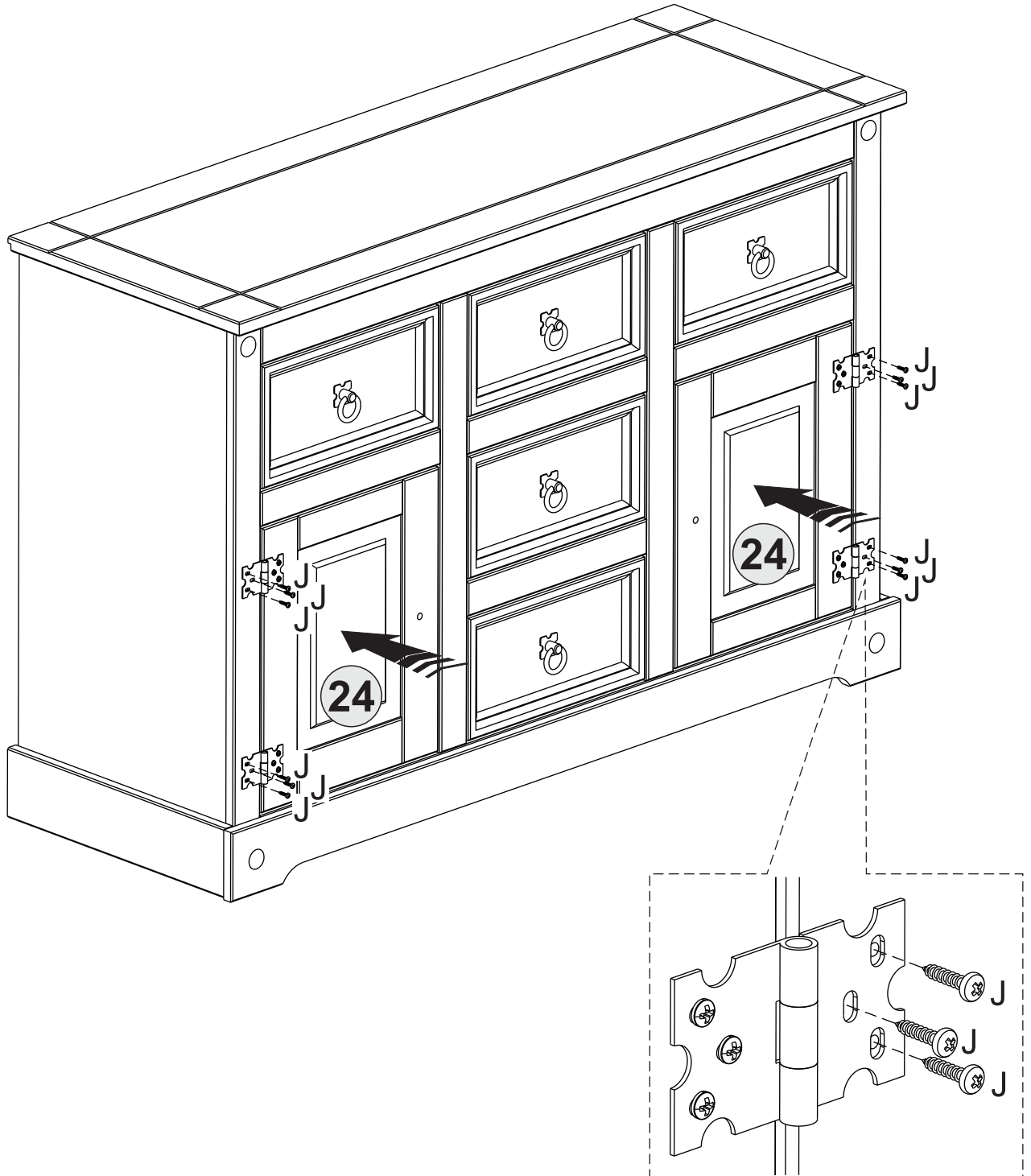
HARDWARE REQUIRED

J



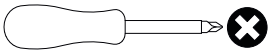
Ø3,5 x 14mm

12

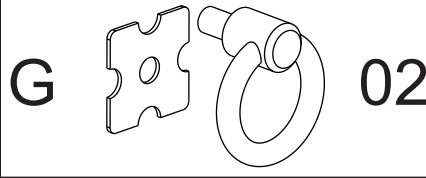
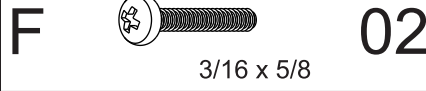
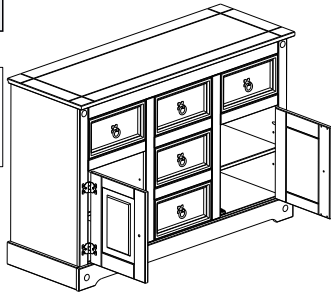


STEP 17

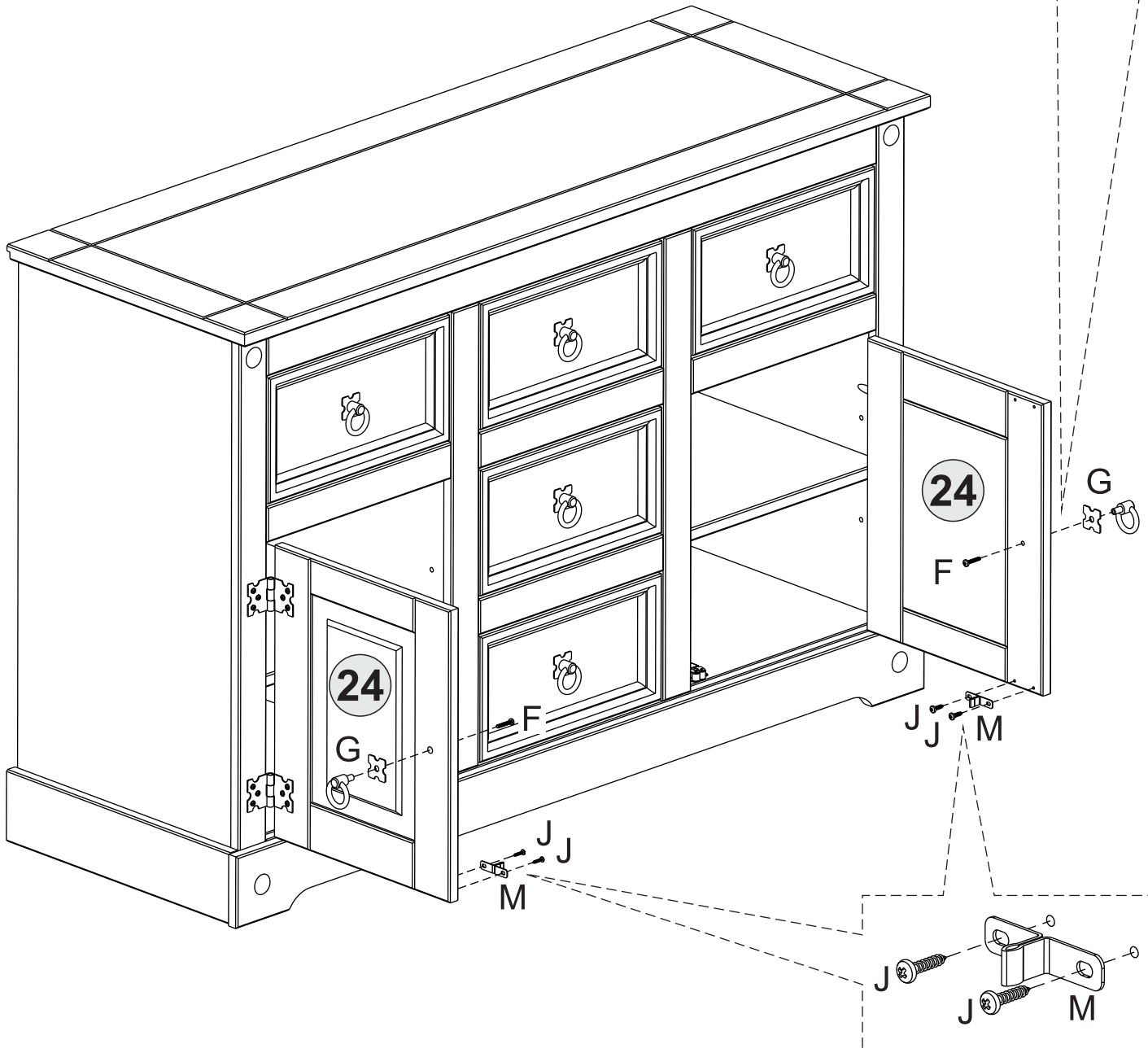
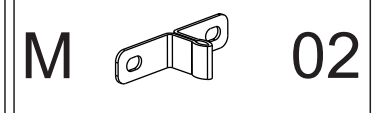
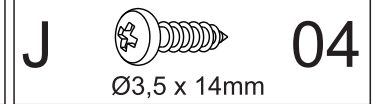
TOOLS REQUIRED



PARTS REQUIRED



HARDWARE REQUIRED



WARNING

Serious or fatal injuries can occur from furniture tipping over. To prevent the furniture from tipping over we recommend that it is permanently fixed to the wall.

Wall fixings are not supplied with this product as different wall materials require different types of fixing devices.

Please make sure you use fixings suitable for the walls in your home.

