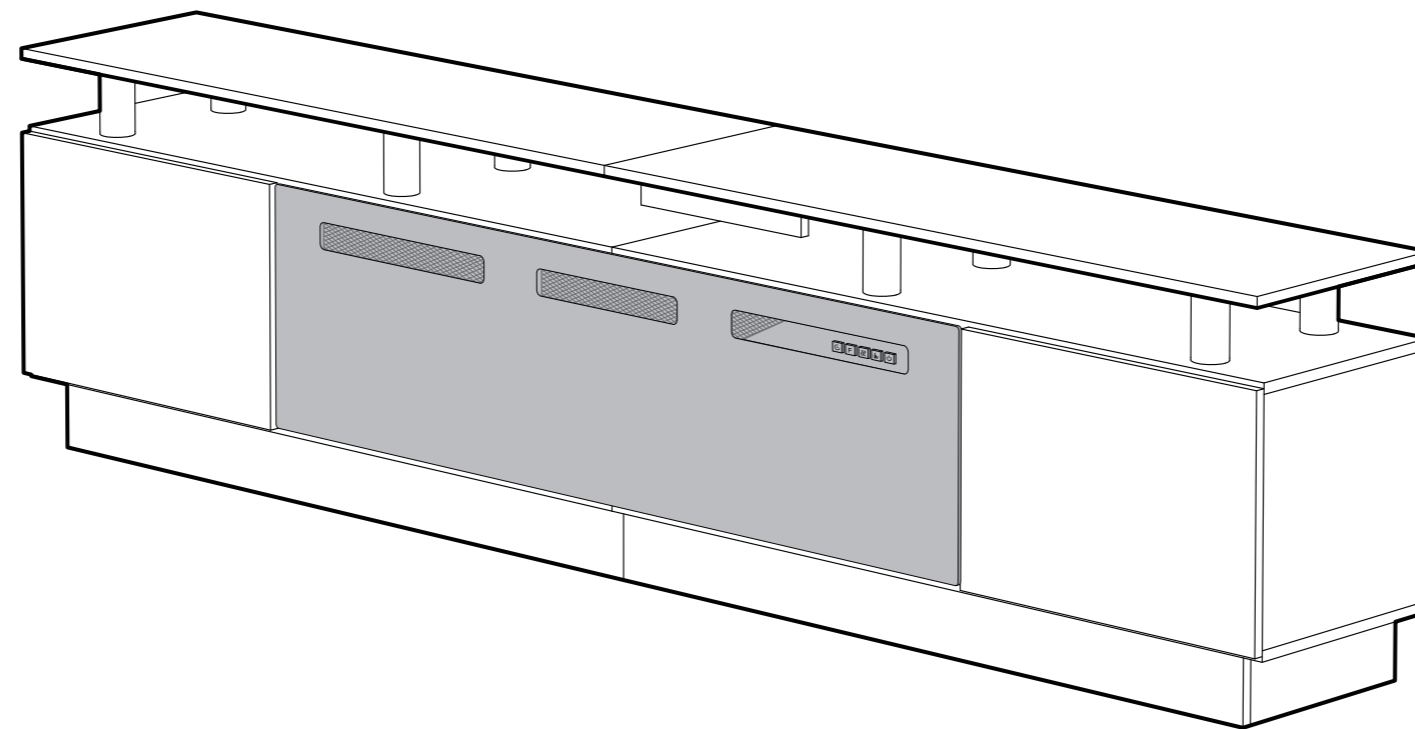


TV STAND

ASSEMBLY INSTRUCTIONS

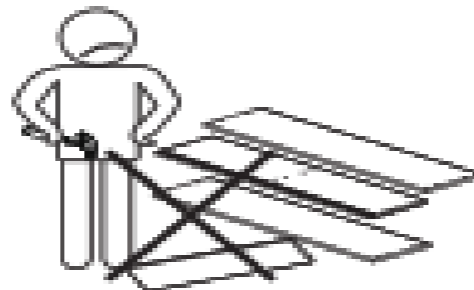


WARNING

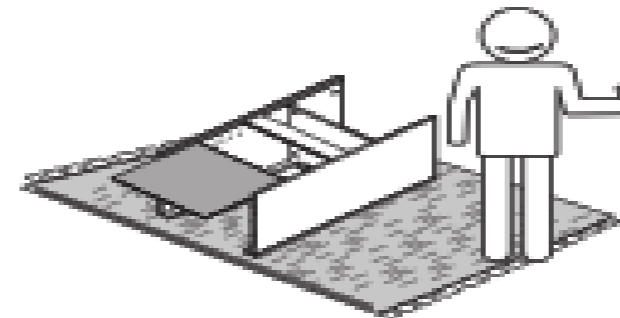
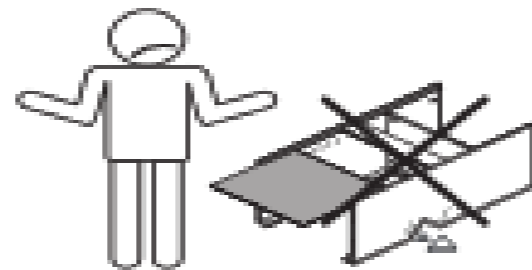
Children have died from furniture tipover. To reduce the risk of furniture tipover:



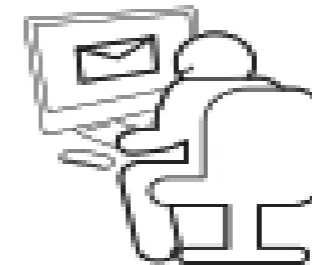
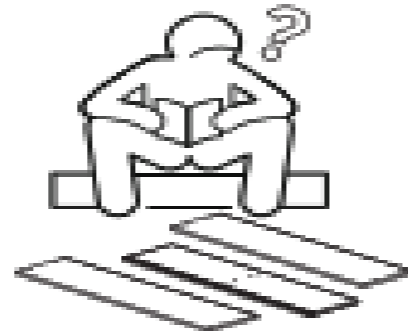
- ALWAYS install tipover restraint provided.
- NEVER allow children to stand, climb or hang on drawers, doors, or shelves.
- NEVER open more than one drawer at a time.
- Place heaviest items in the lowest drawer.



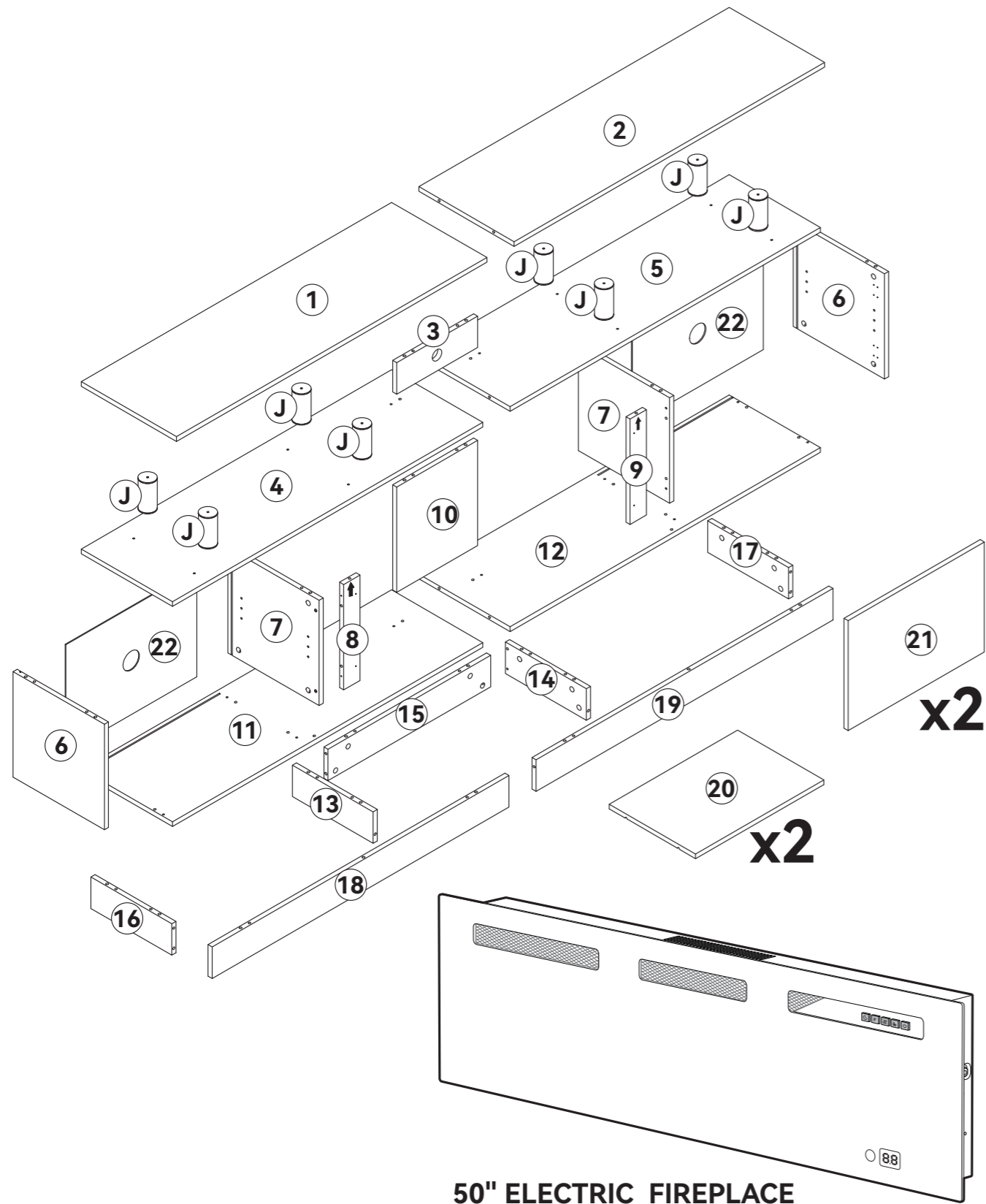
We recommend at least 2 people for the assembly.



To prevent any damage during assembly, place a mat under the pieces.



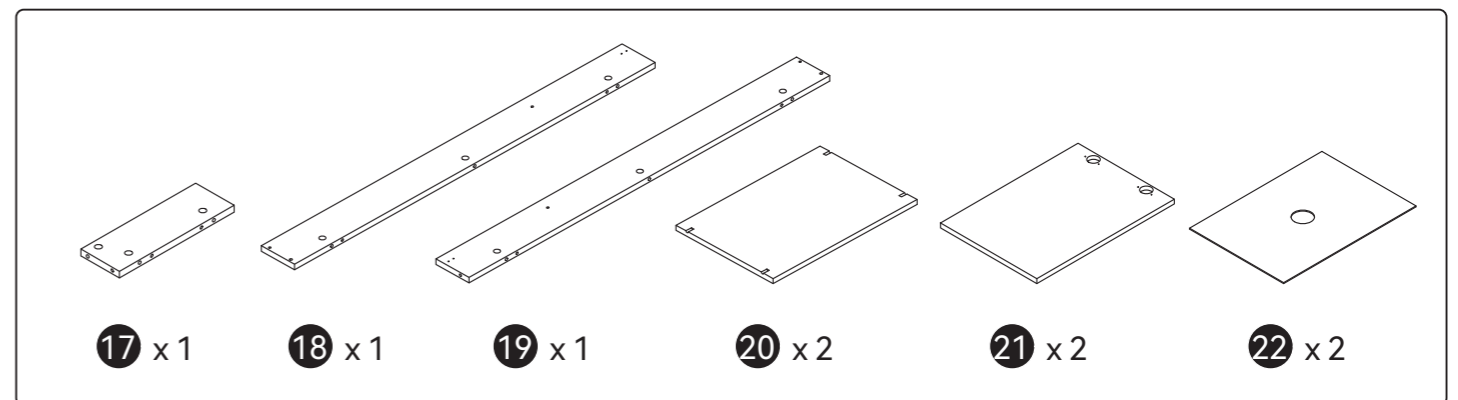
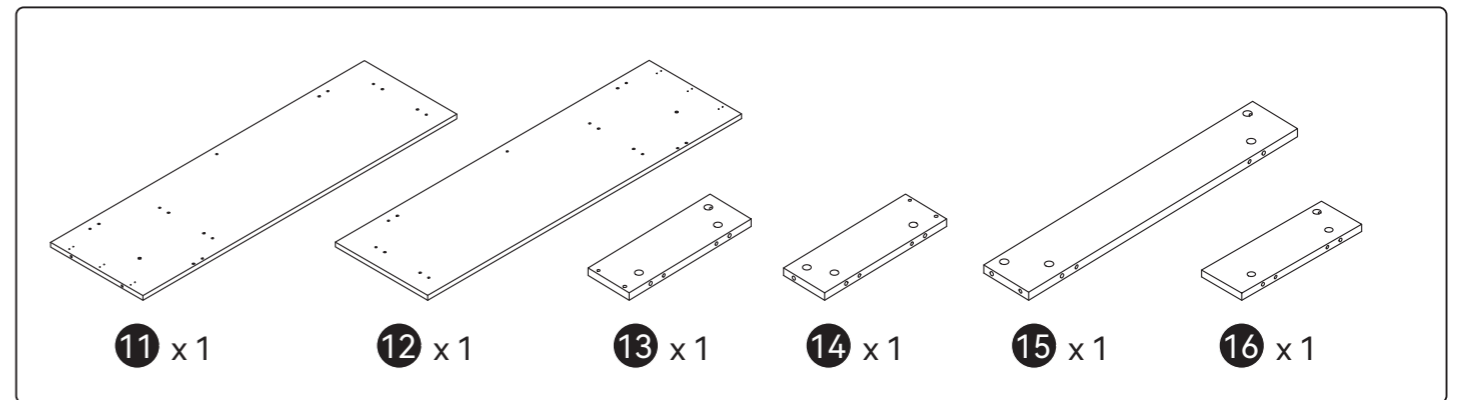
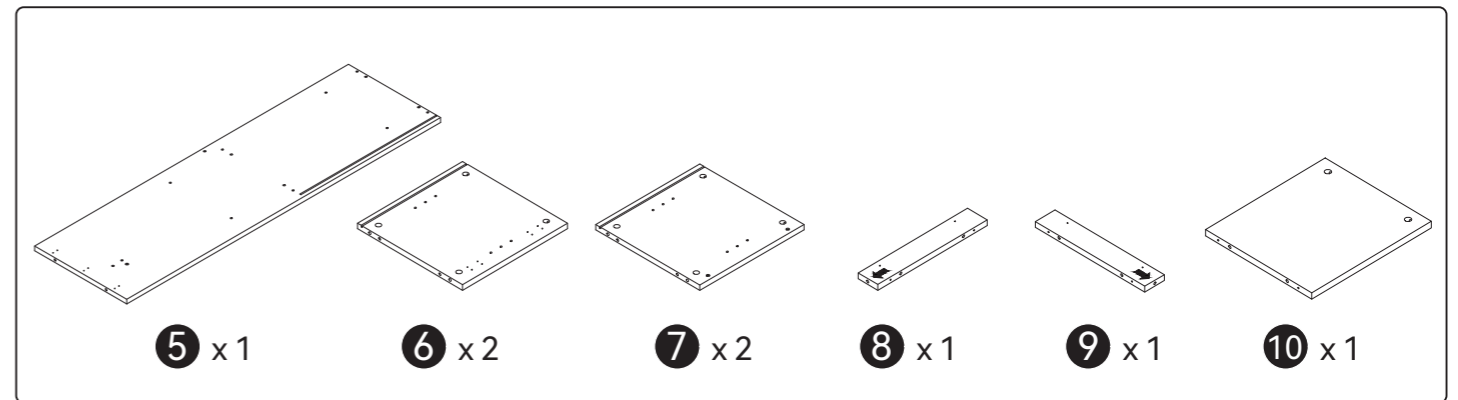
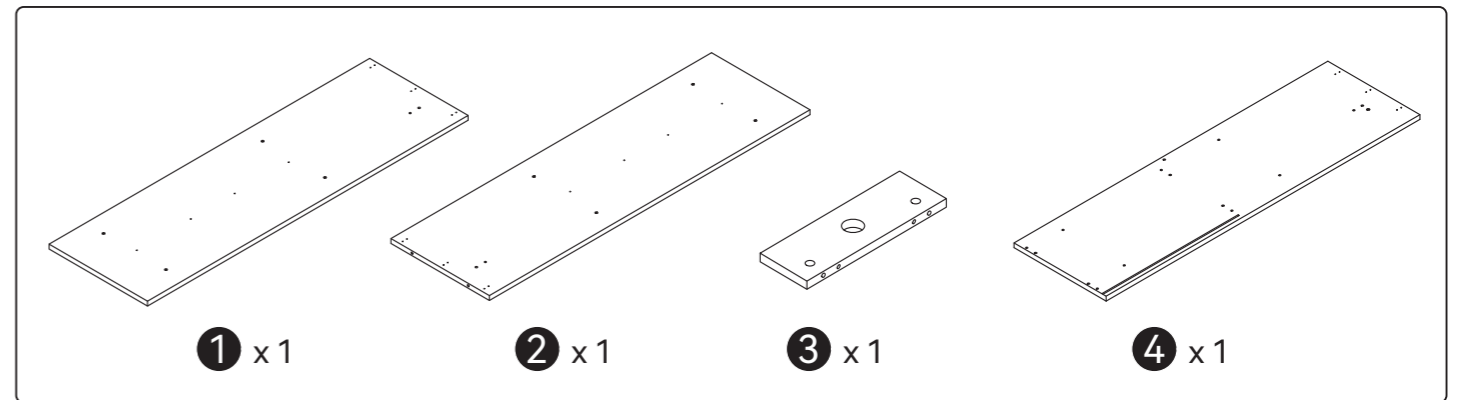
PARTS DIAGRAM



50" ELECTRIC FIREPLACE

The fireplace is delivered in a separate carton (Carton B).
Wait patiently for two cartons to be arrived before assembling.

PARTS LIST

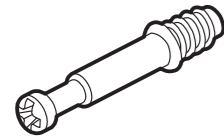


HARDWARES

SPARE PARTS



The spare parts are the additional parts provided in case of missing or damaged ones. Keep the spare parts and tools for future use.



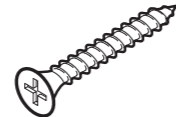
Ø6x35mm

A x 42



Ø15x9mm

B x 42



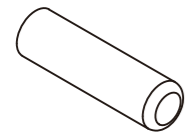
M4x40mm

C x 8



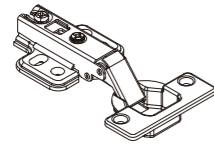
Ø6x30mm

D x 57



Ø5x20mm

E x 8



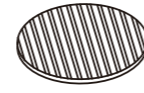
Ø35mm

F x 4



K3.5x14mm

G x 64



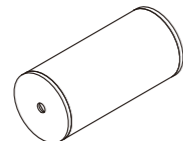
Ø20mm

H x 22



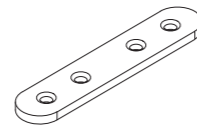
M6x125mm

I x 8



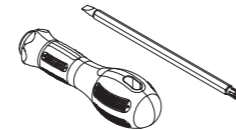
Ø51x100mm

J x 8



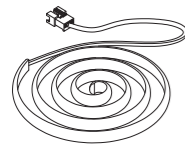
Ø25mm

K x 10

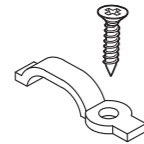


O x 1

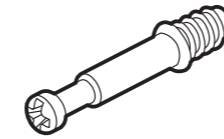
Find the strip light and assembly parts in the package of fireplace.



L x 2



M x 8



Ø6x35mm

A x 3



Ø15x9mm

B x 3



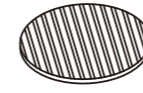
Ø6x30mm

D x 4



K3.5x14mm

G x 4




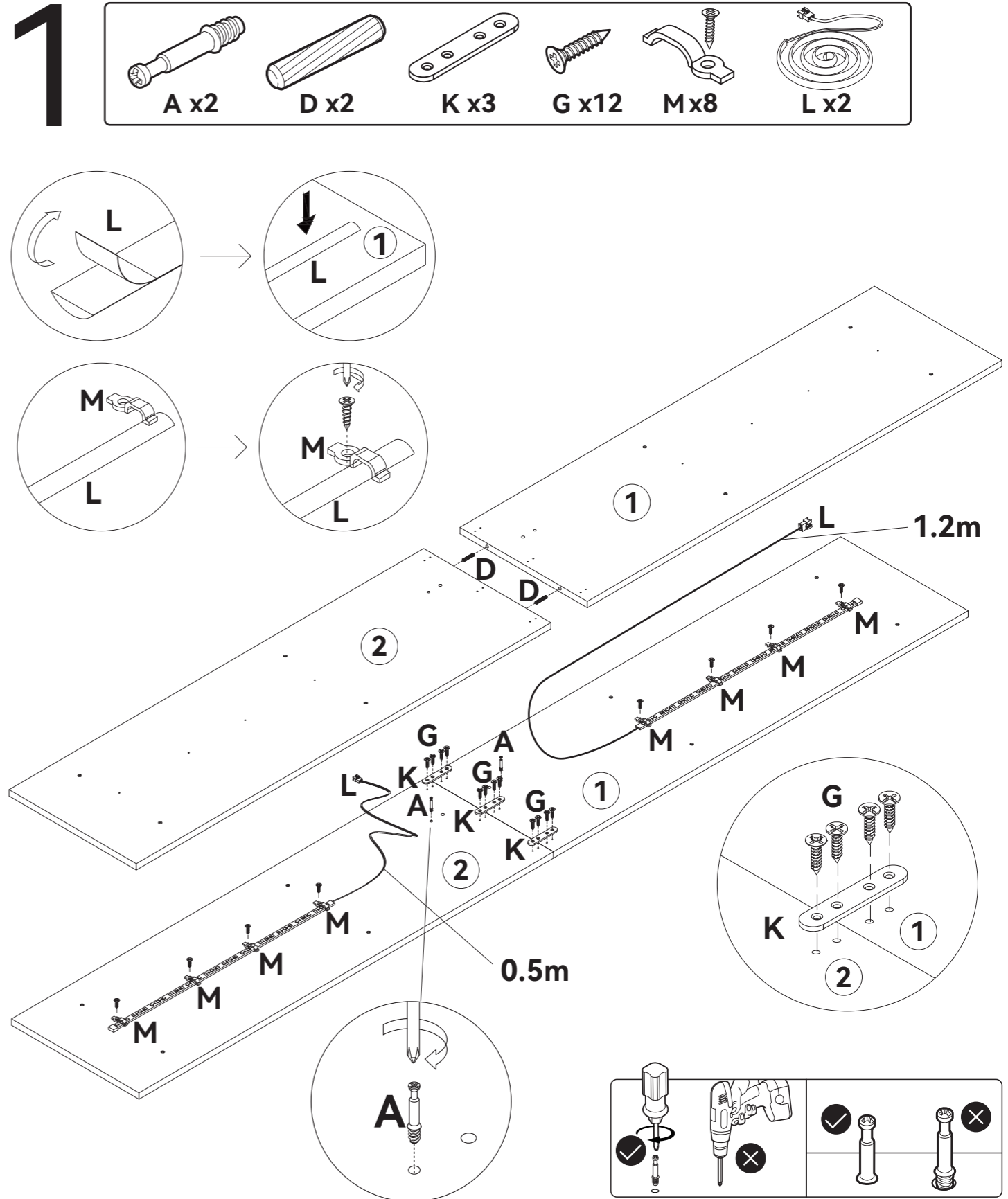
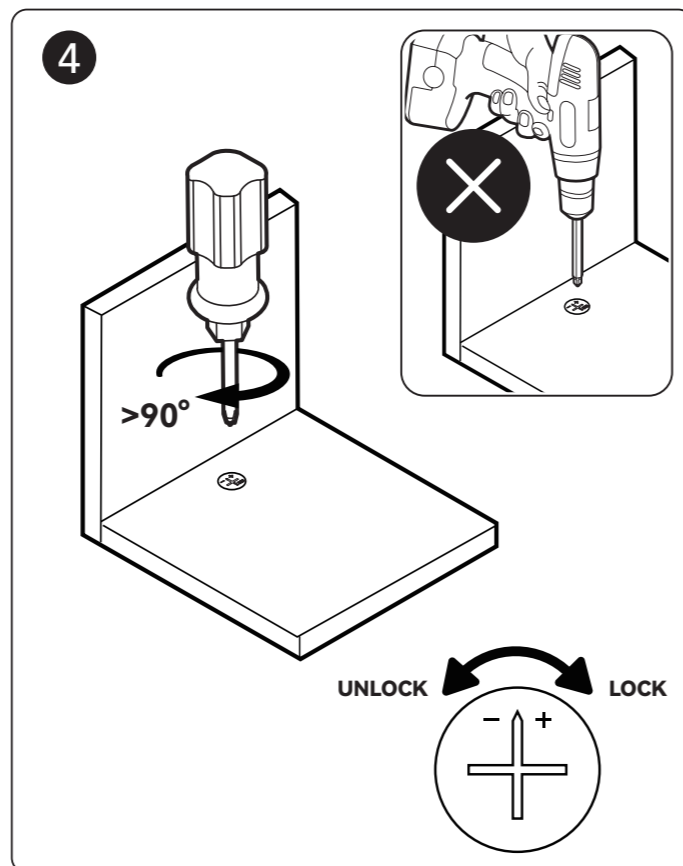
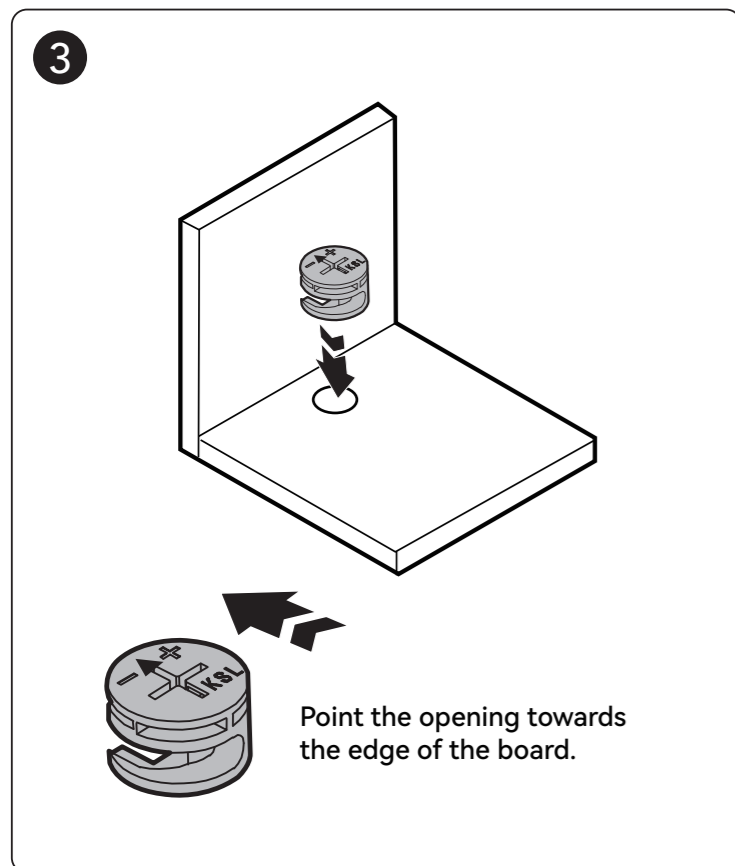
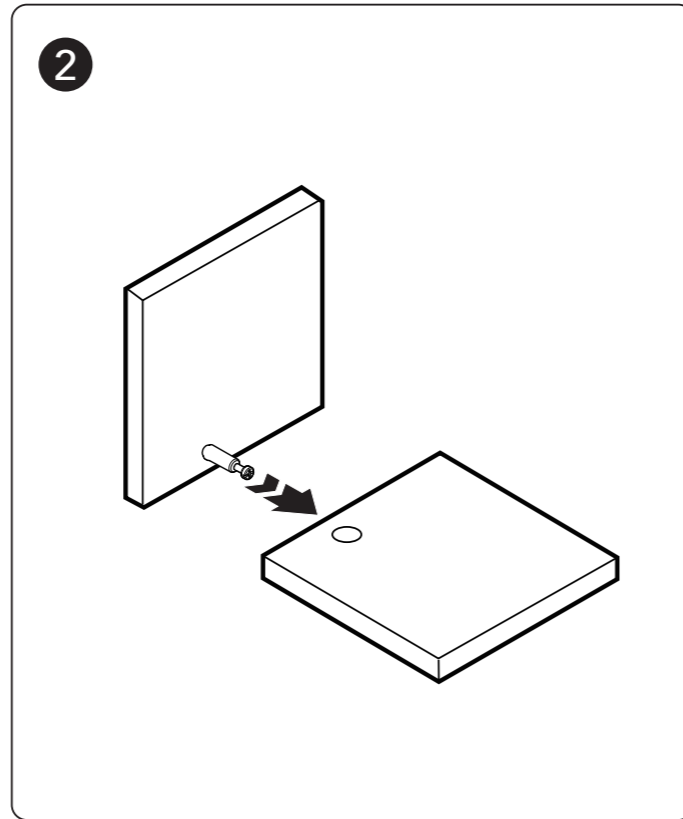
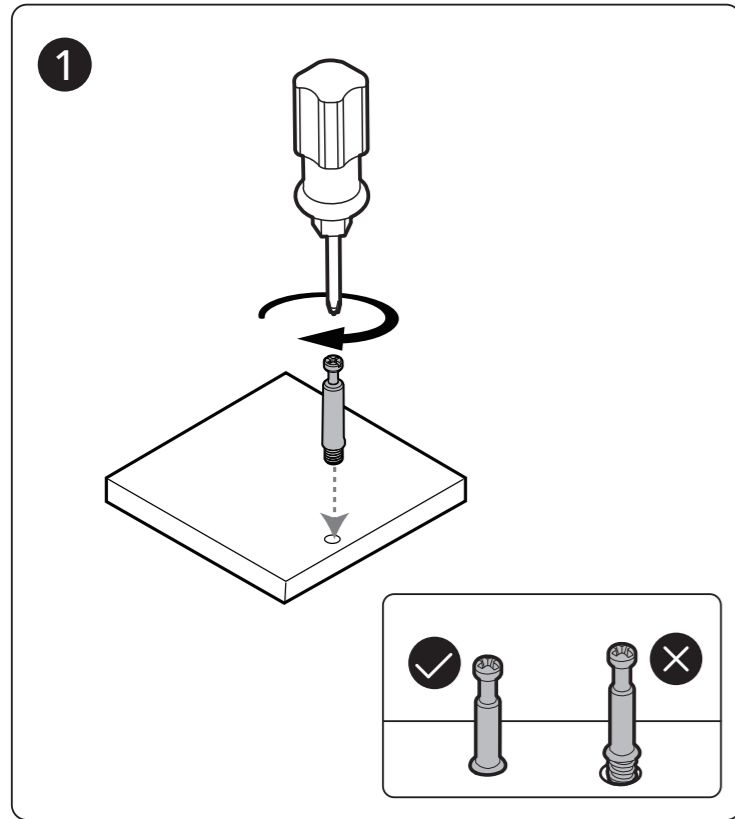
Ø20mm

H x 2

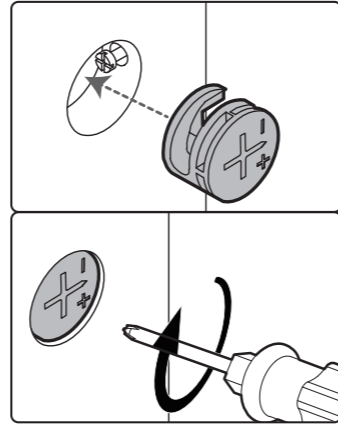
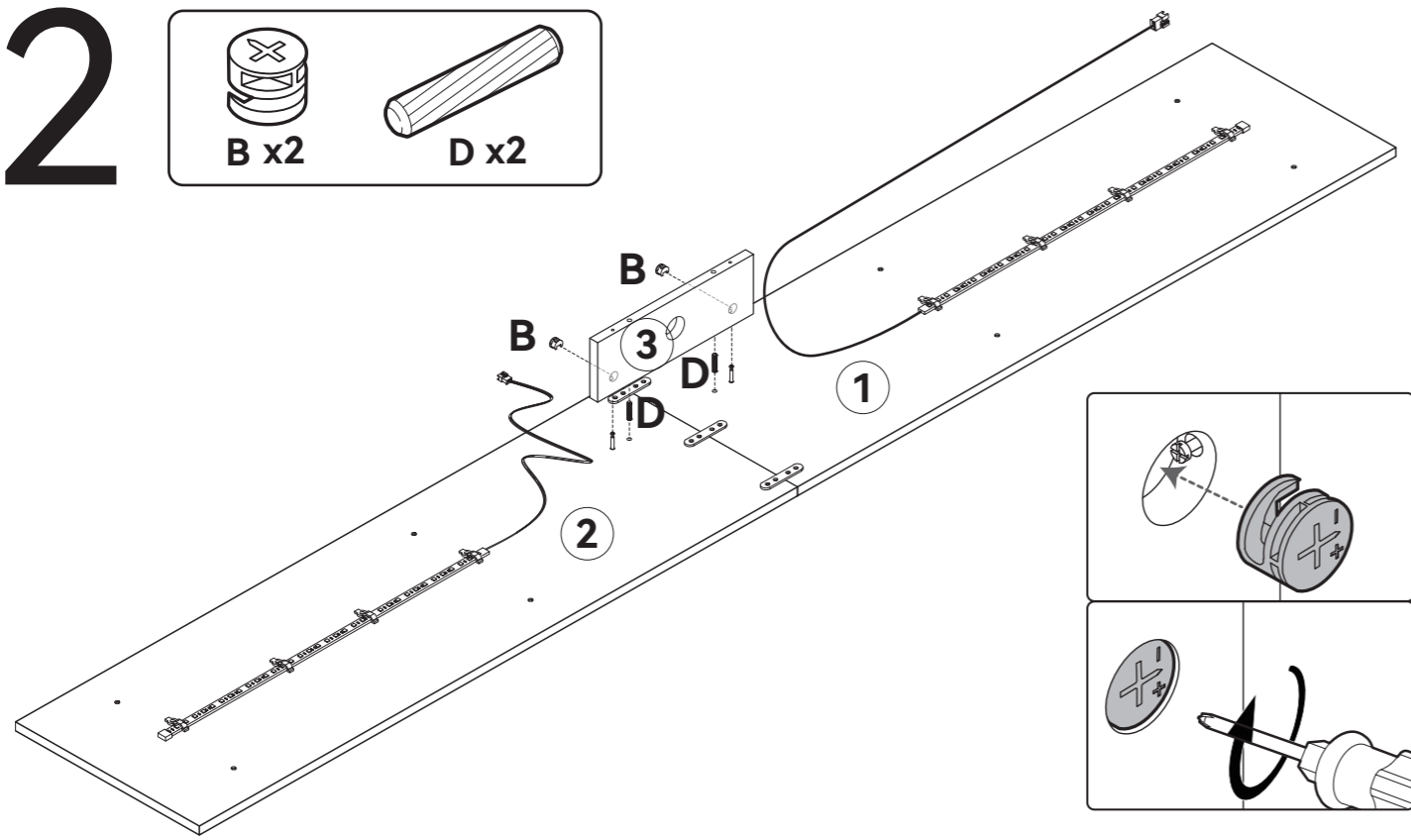
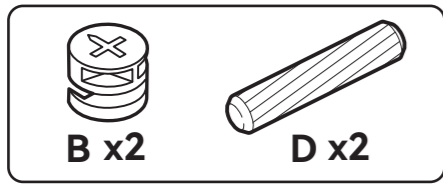
CAM LOCK FASTEN SYSTEM

ASSEMBLY

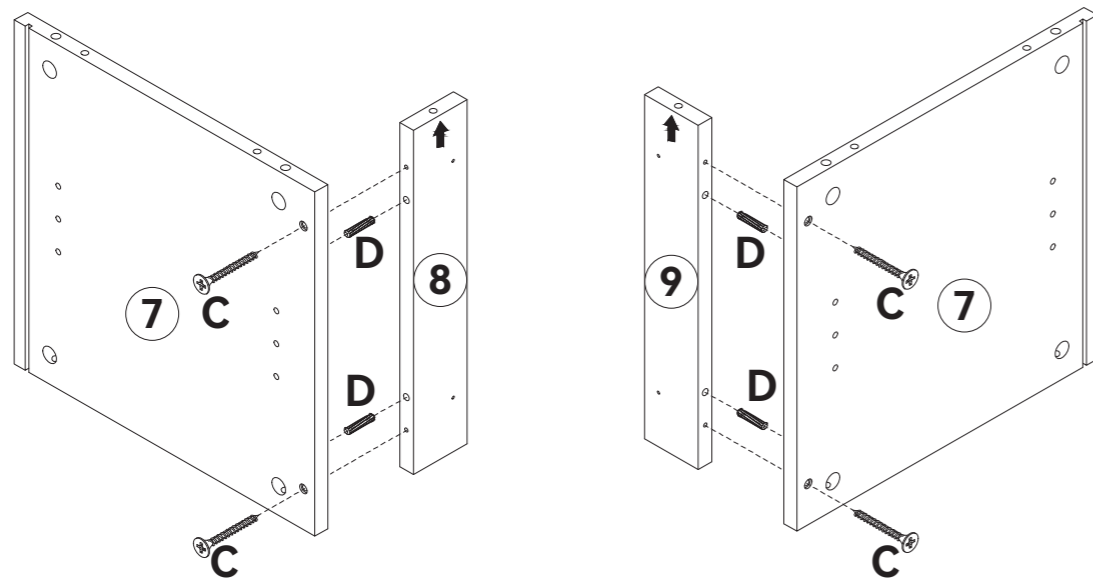
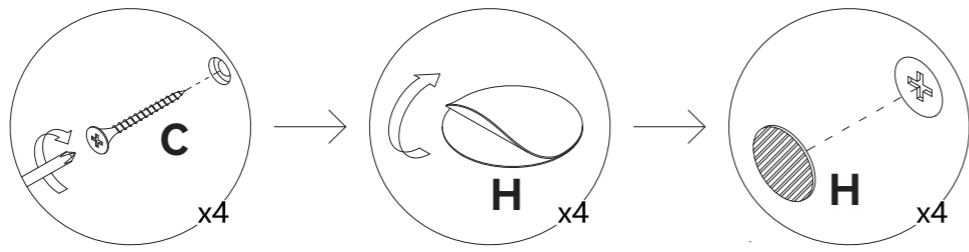
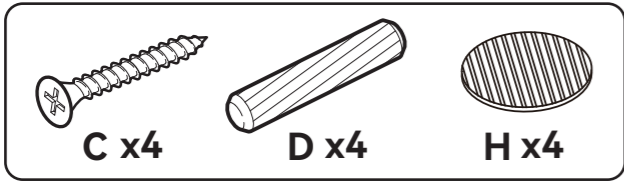
 Insert the cam bolt into the hole, then insert the cam lock and tighten.



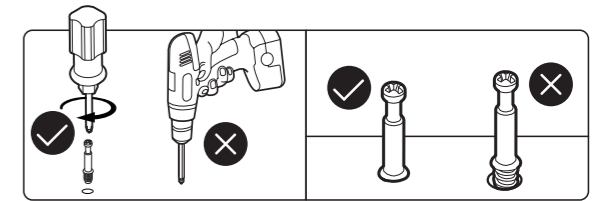
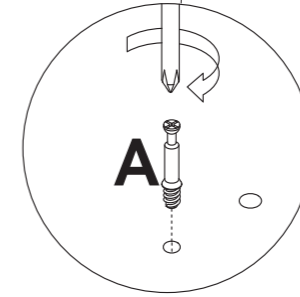
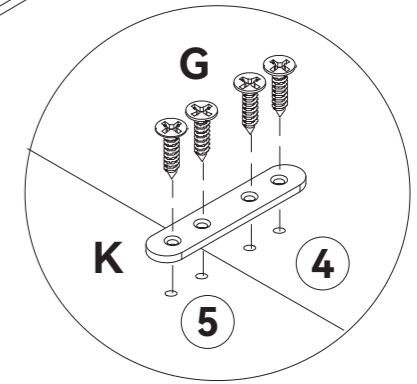
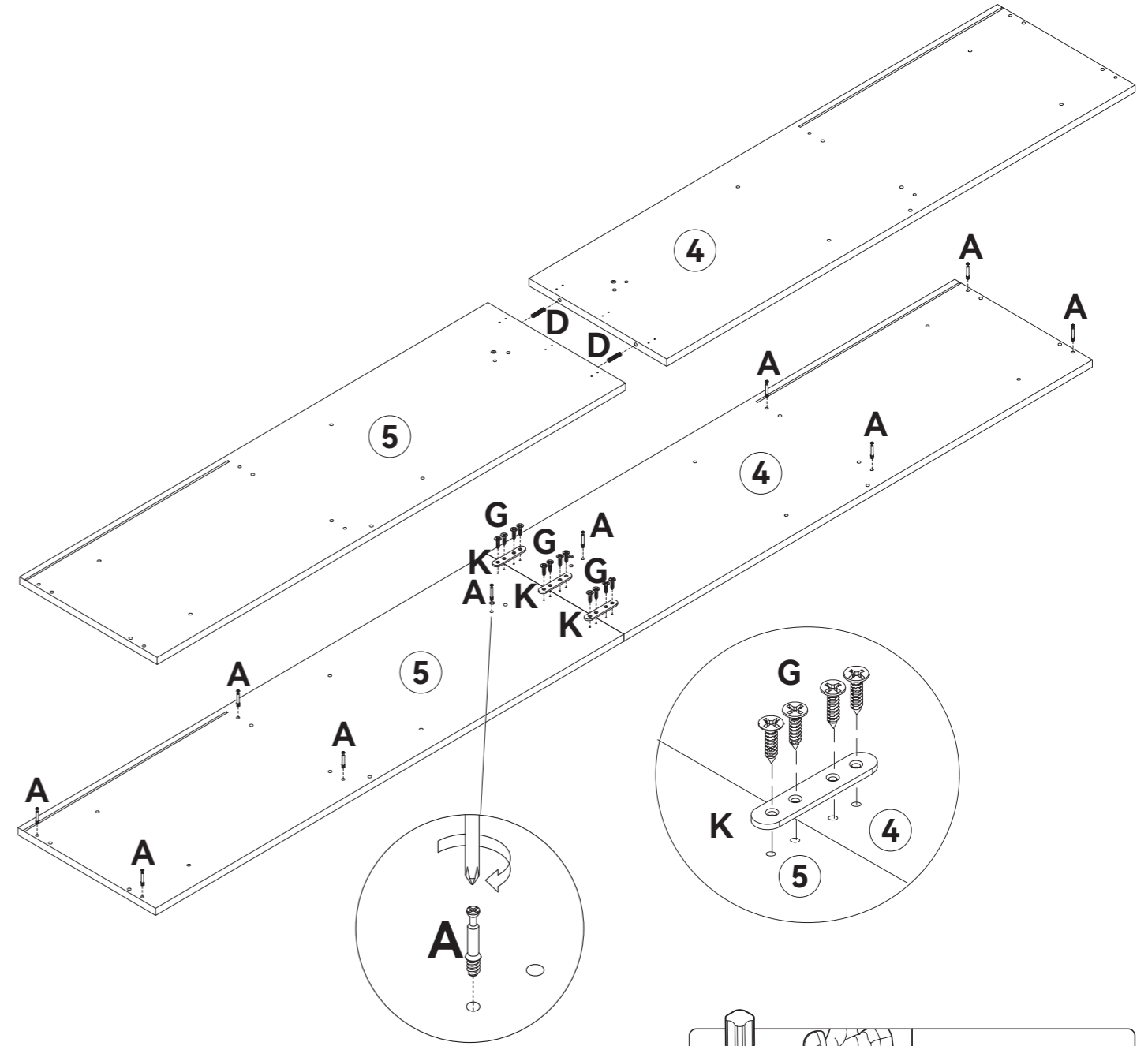
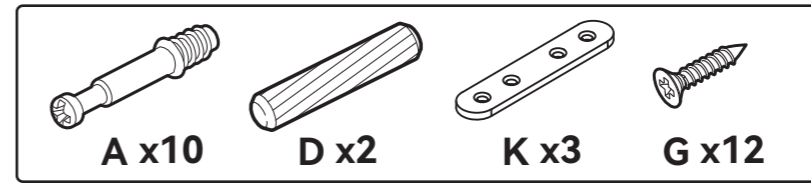
2



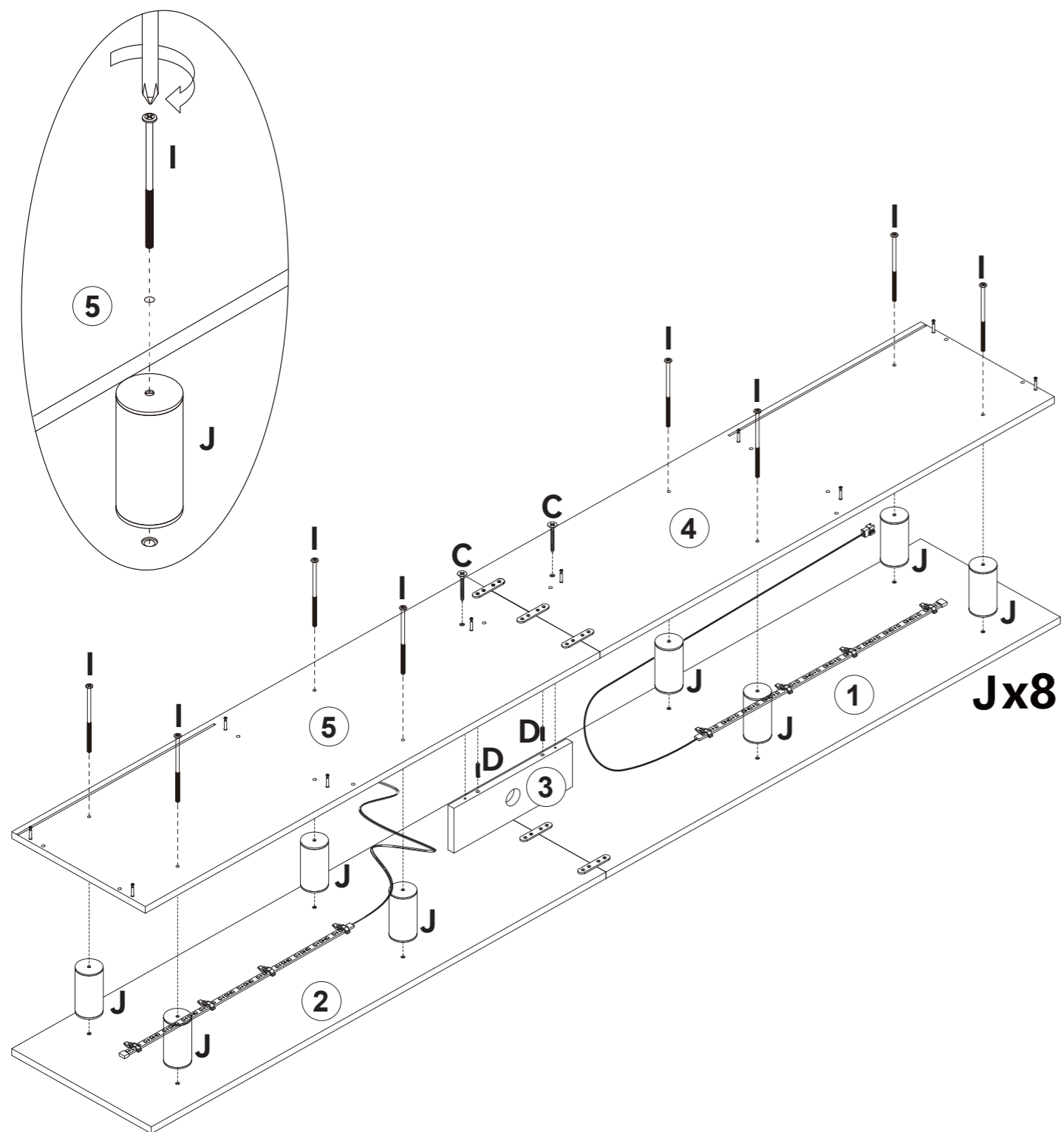
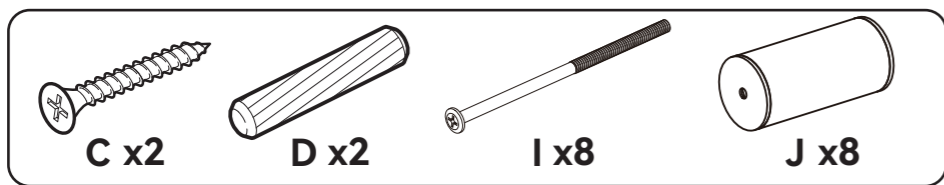
3



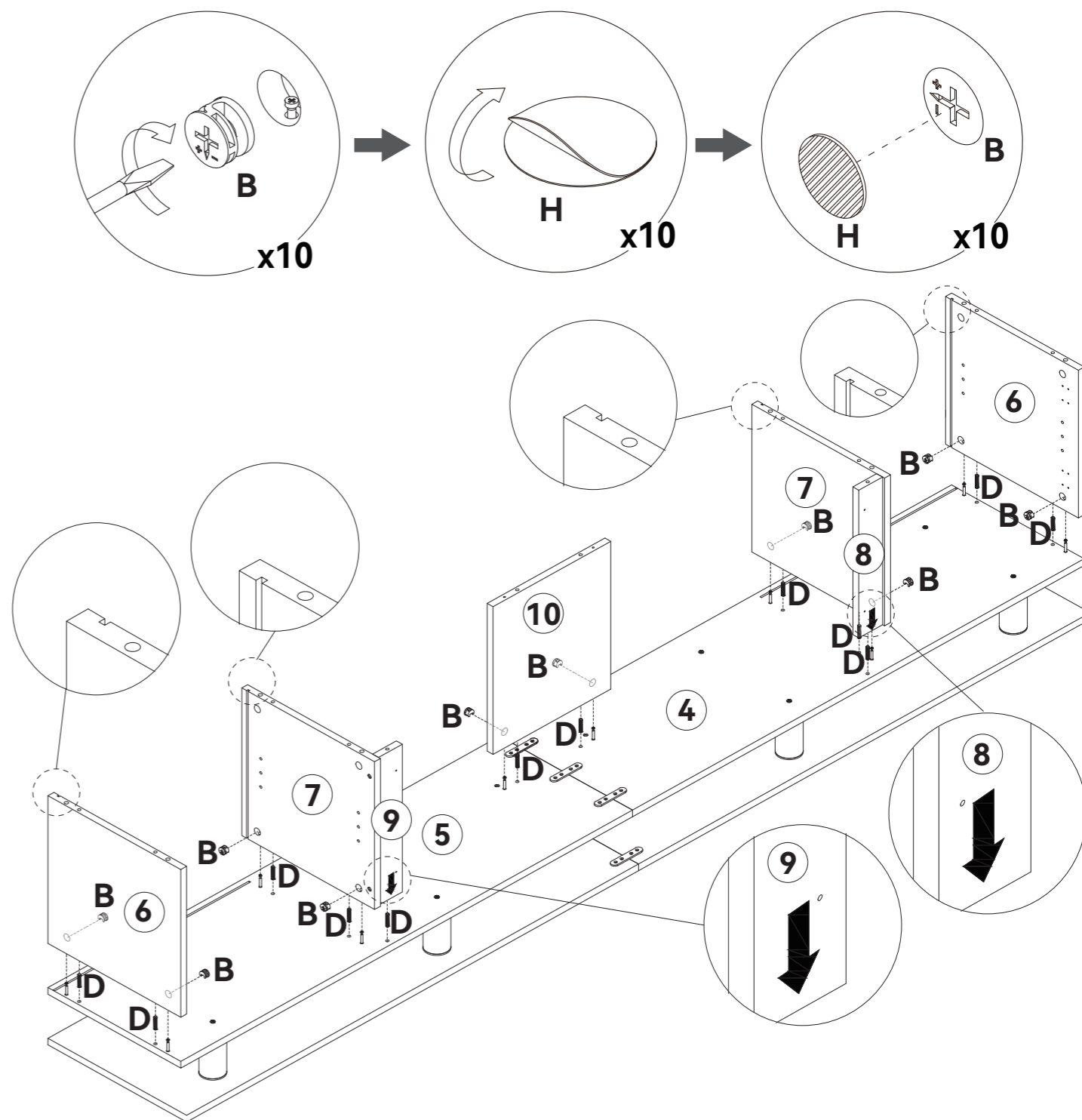
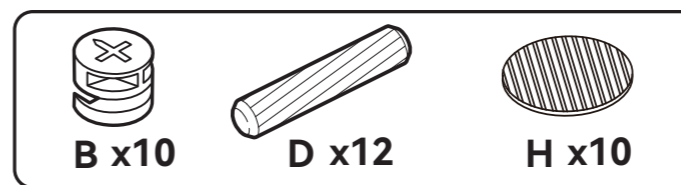
4



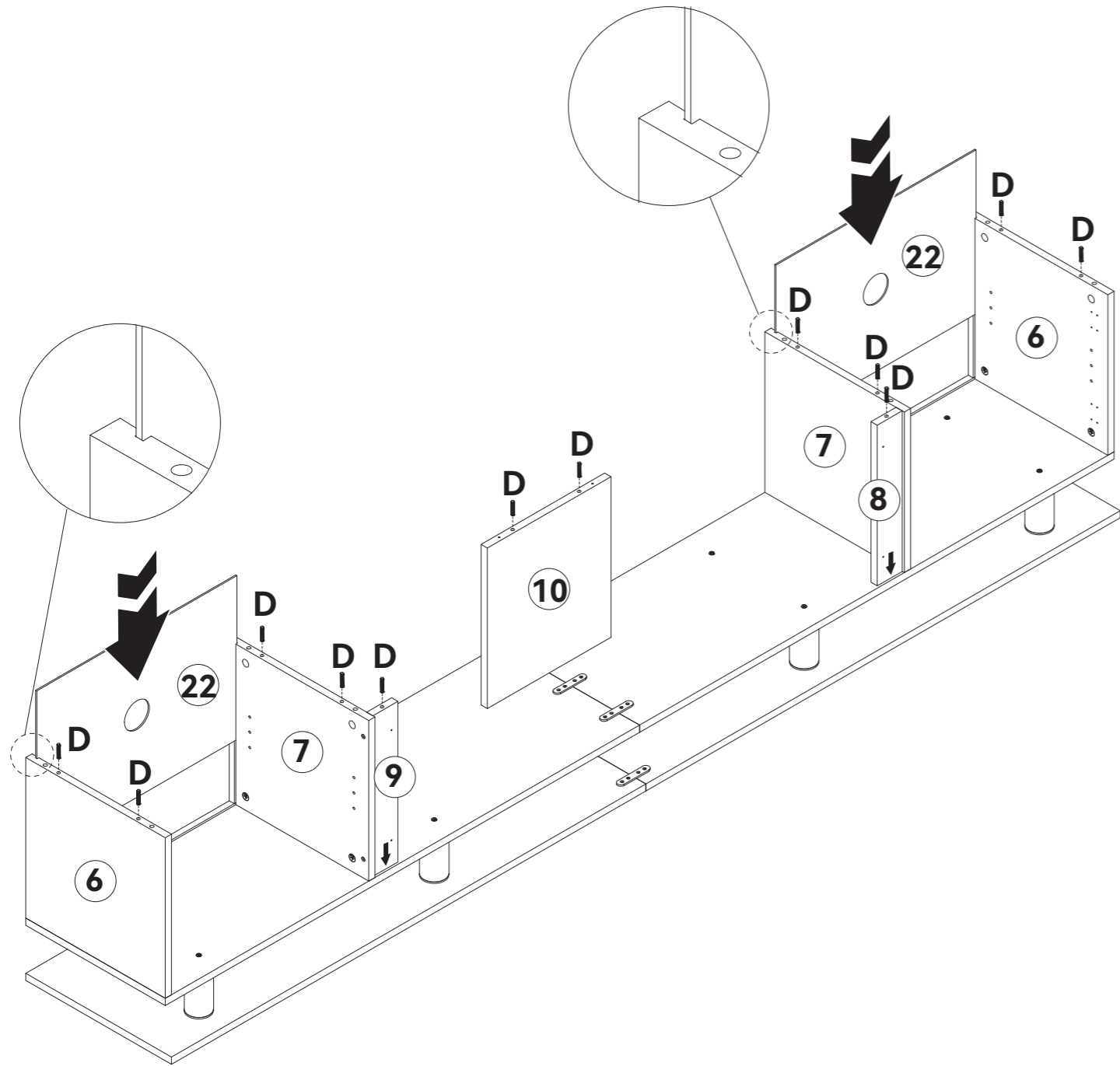
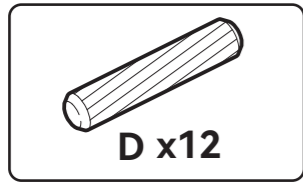
5



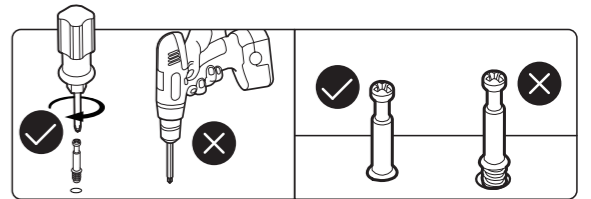
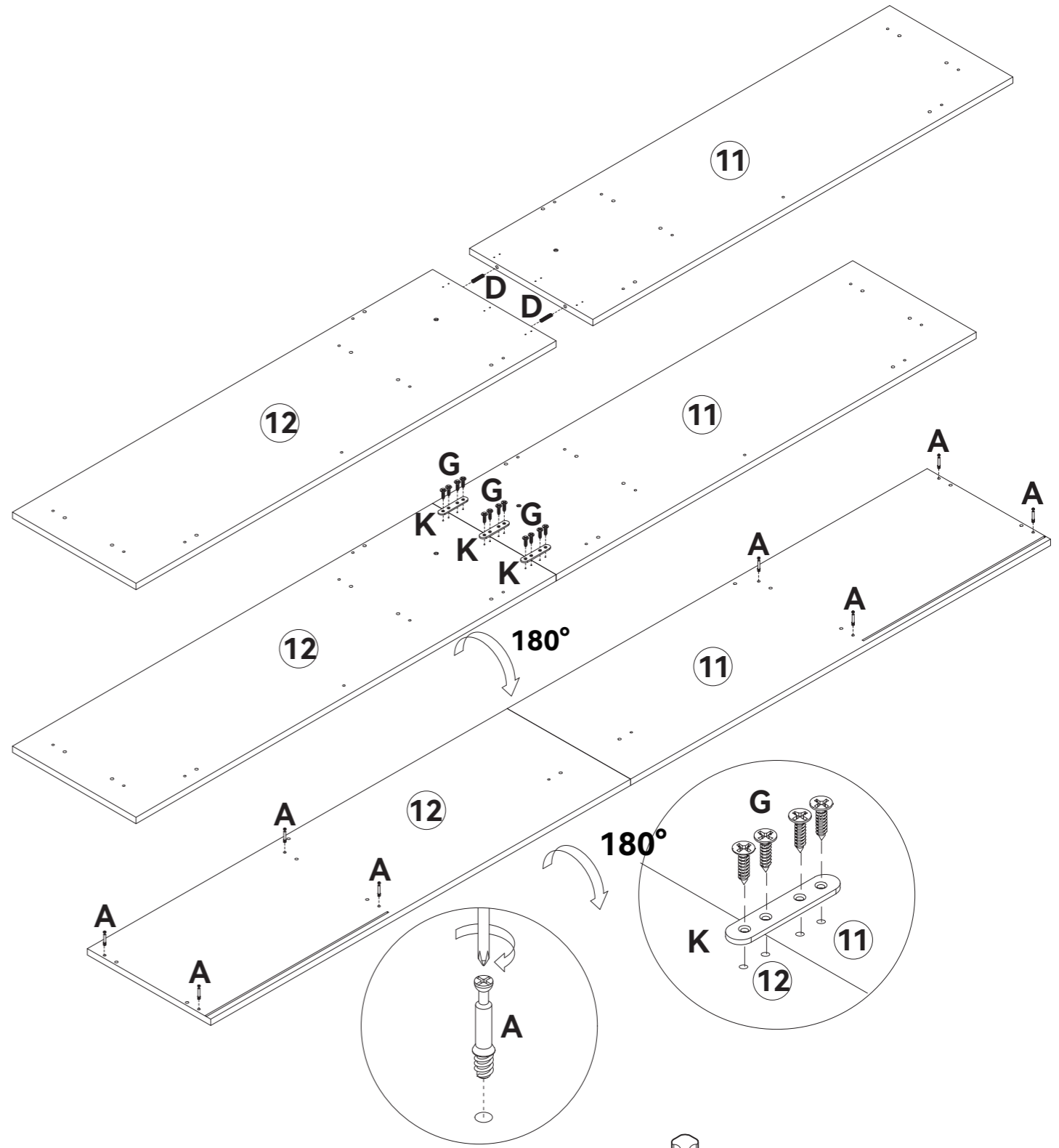
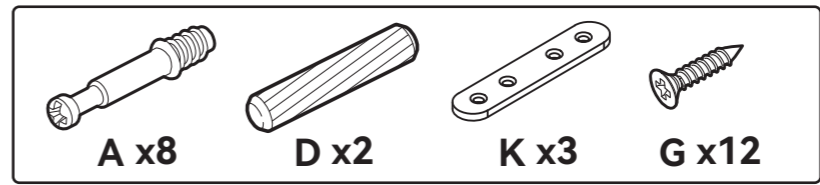
6



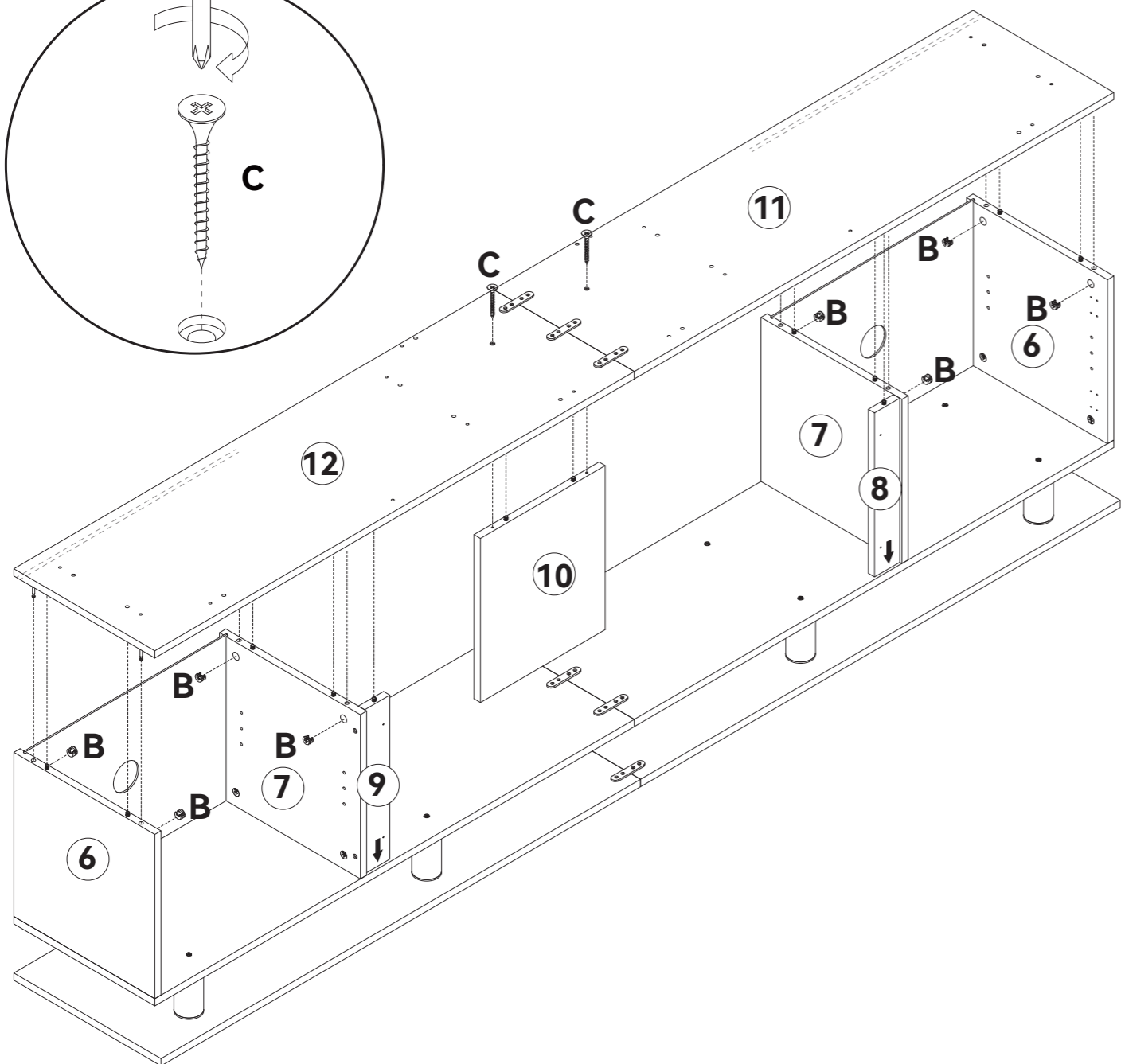
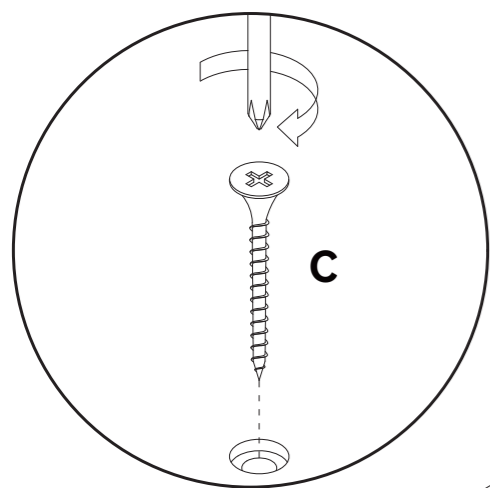
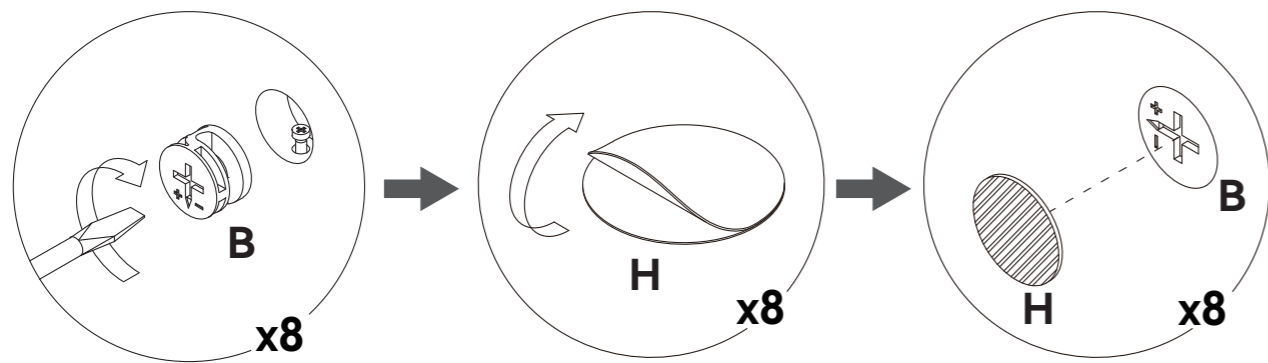
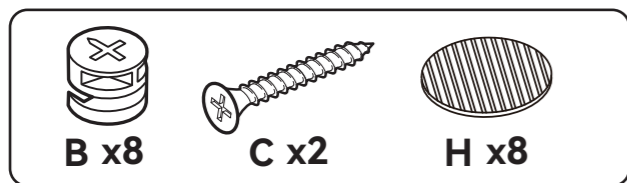
7



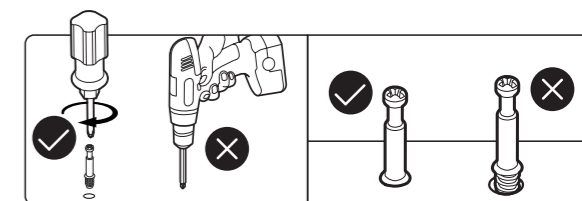
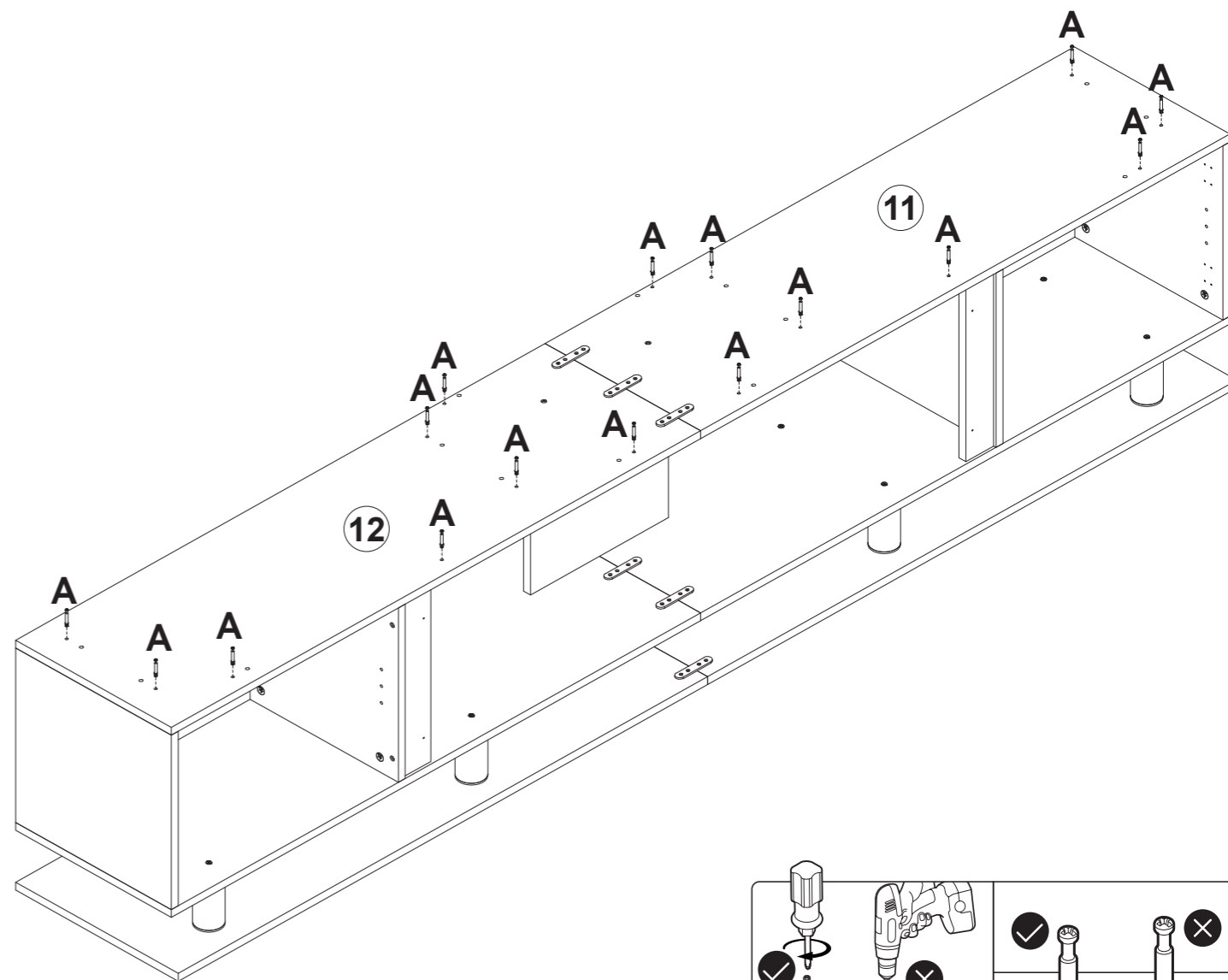
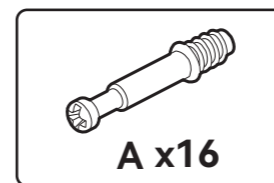
8



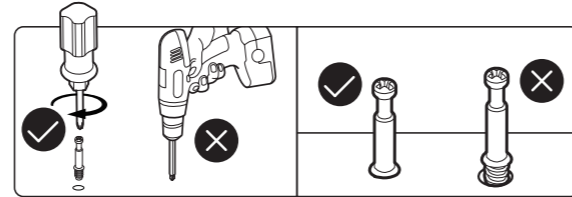
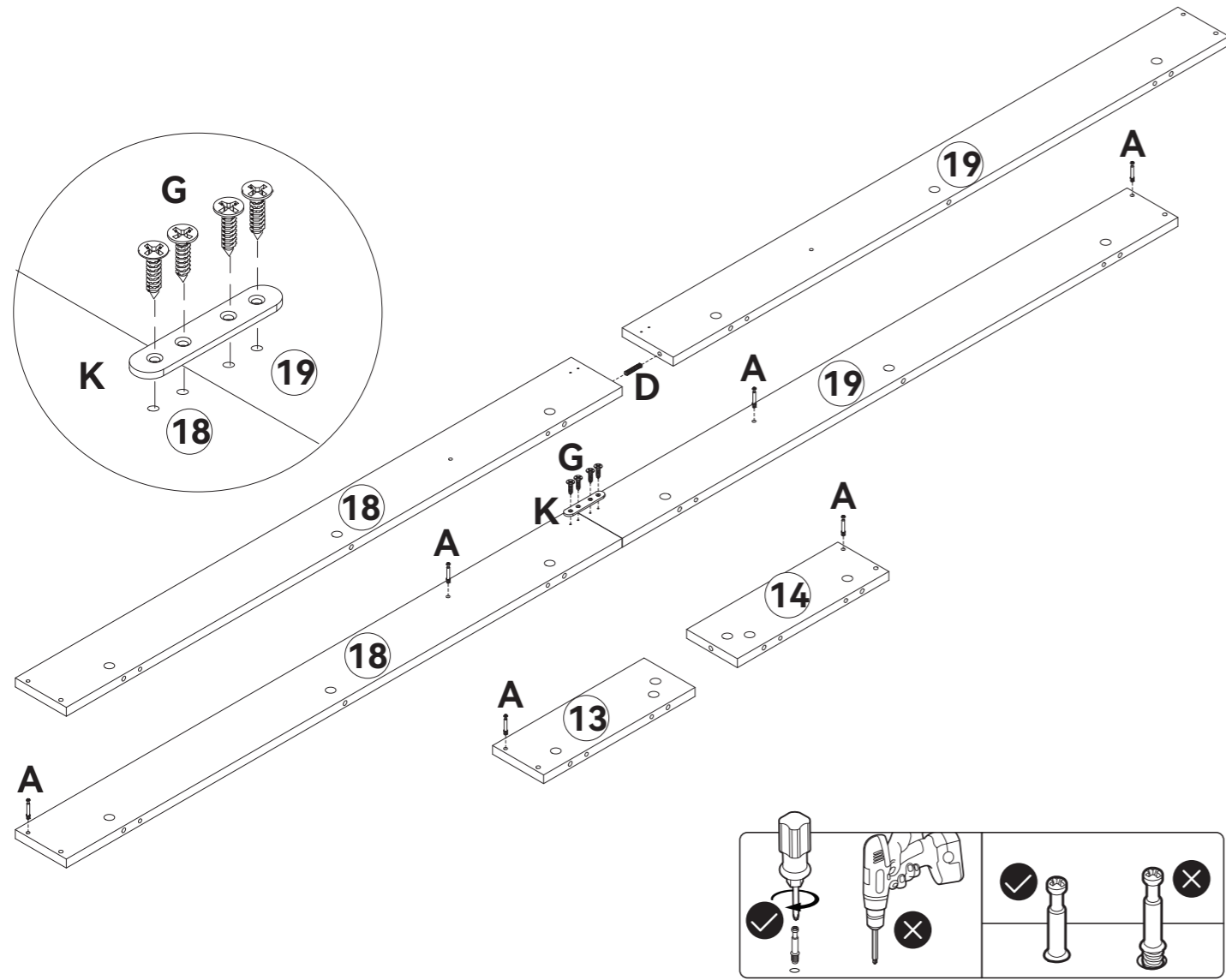
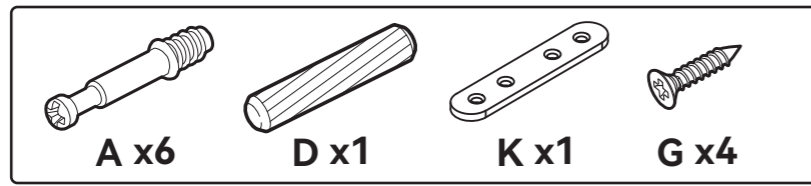
9



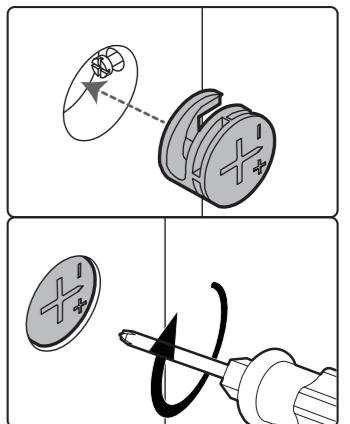
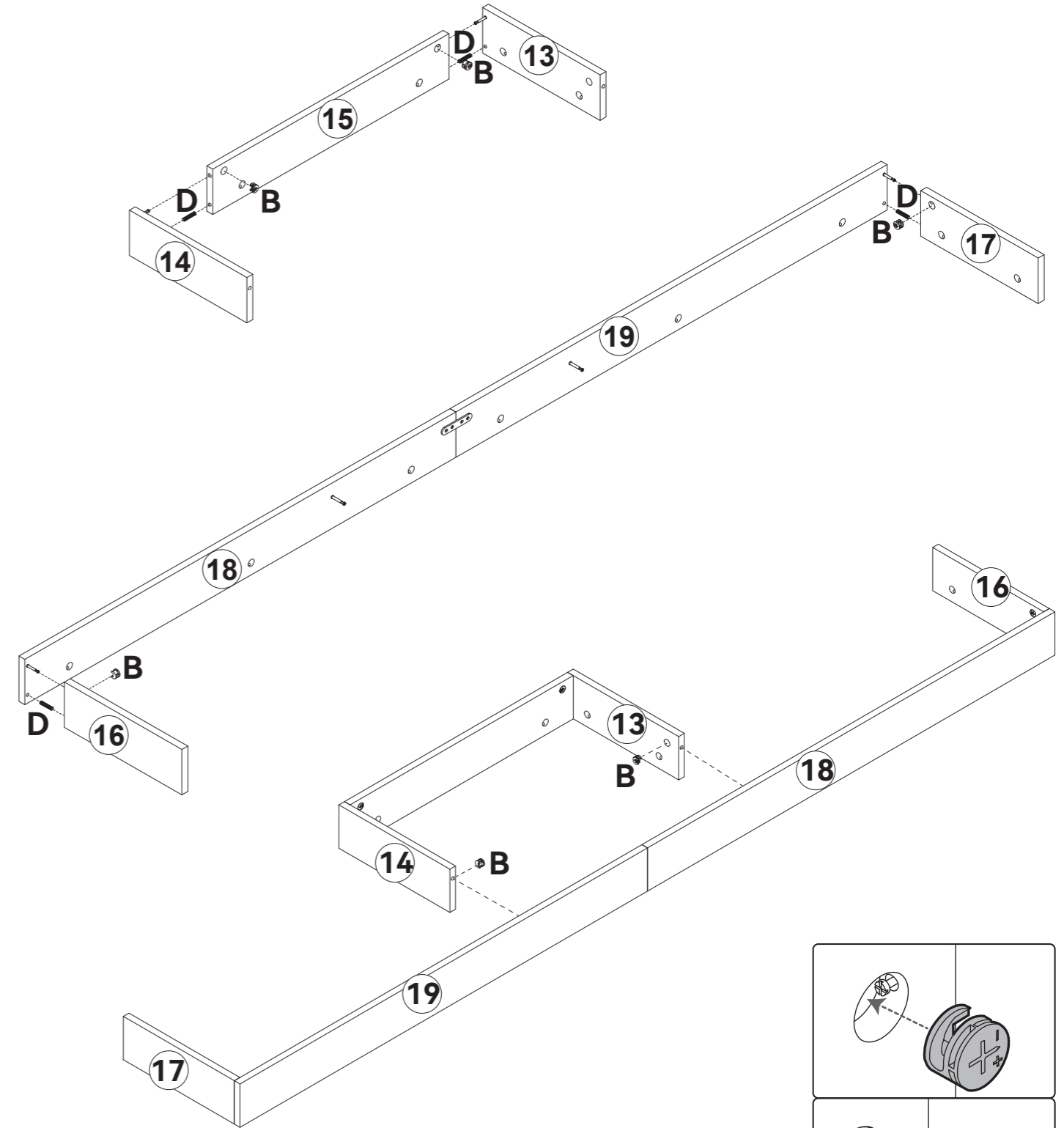
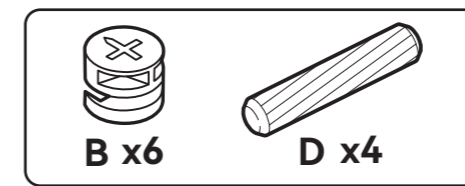
10



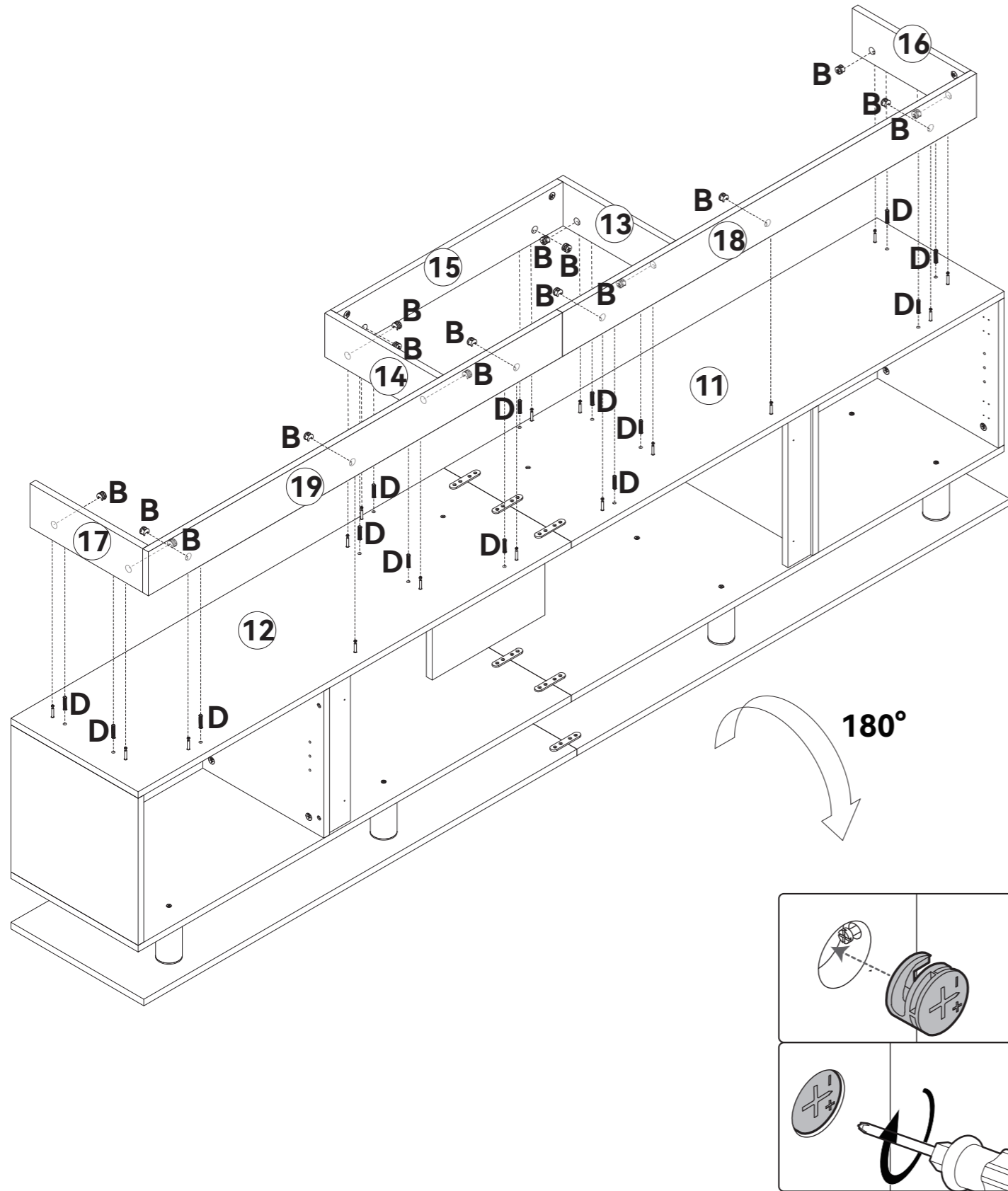
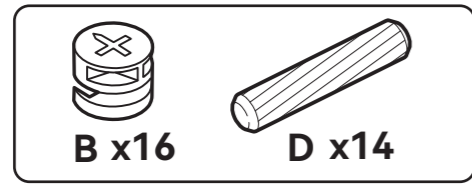
11



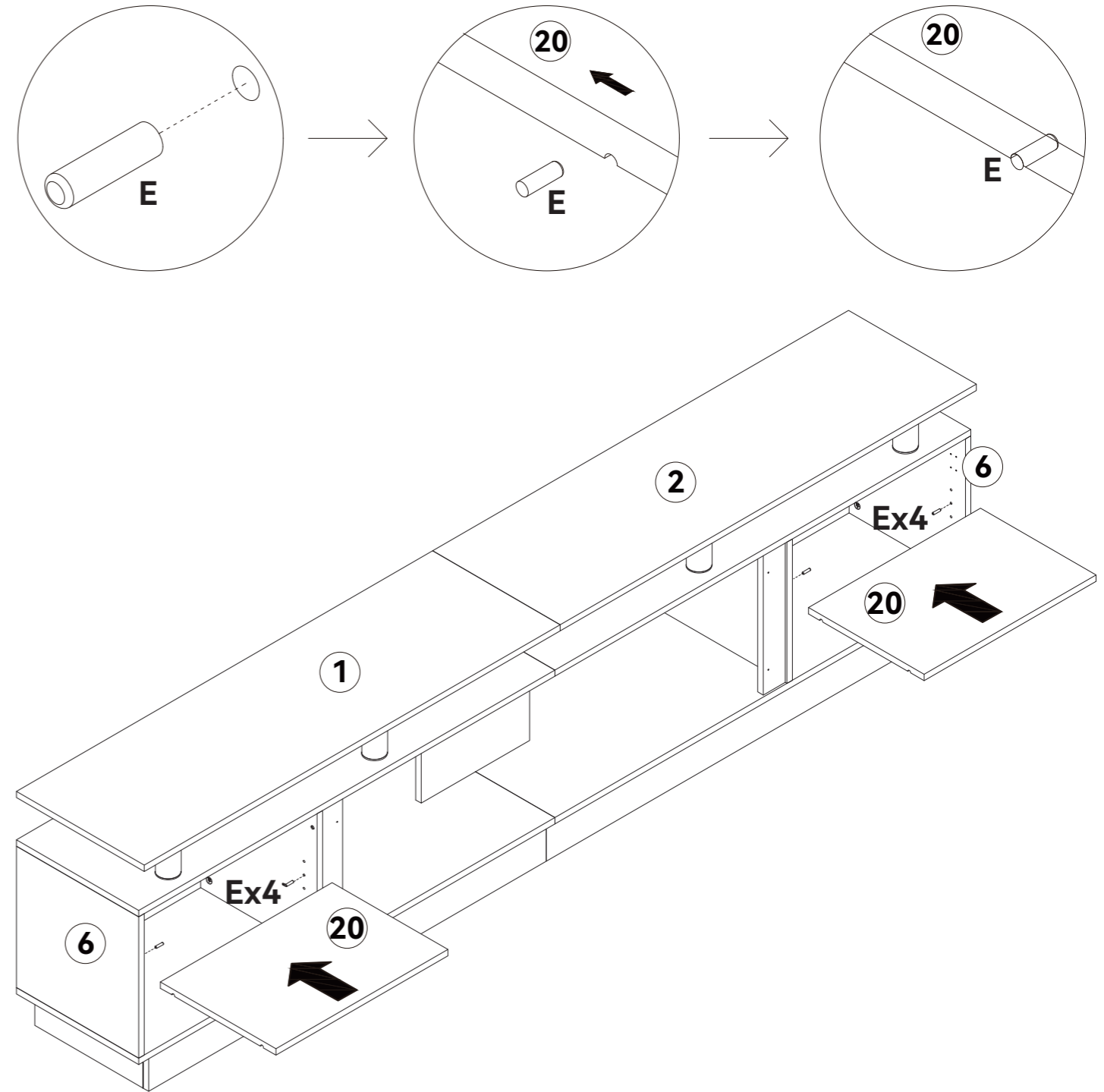
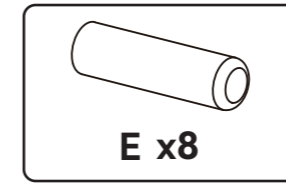
12



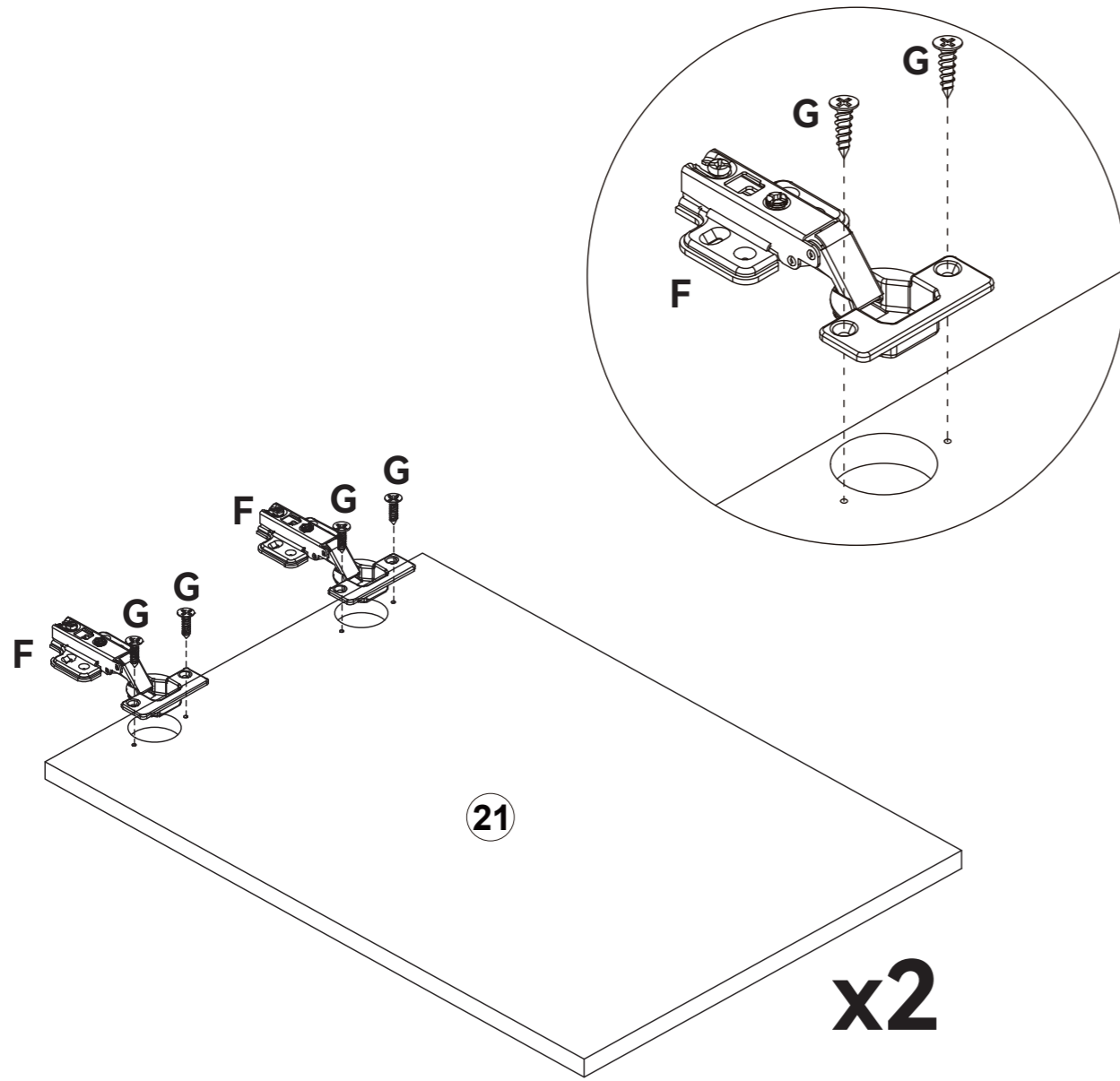
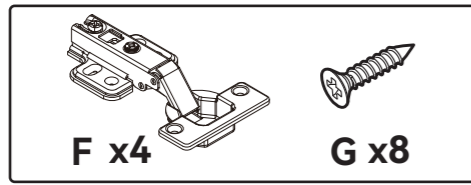
13



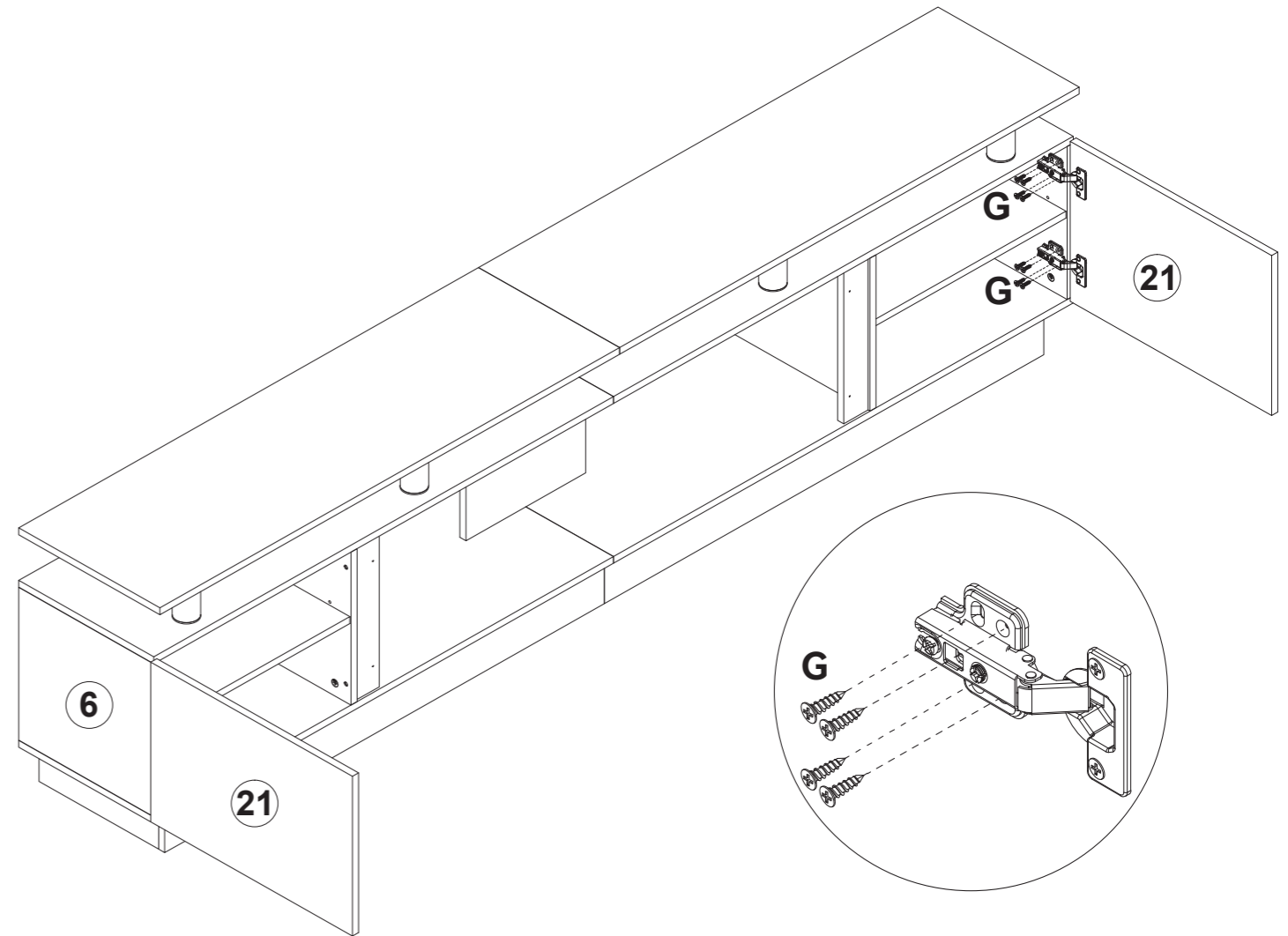
14



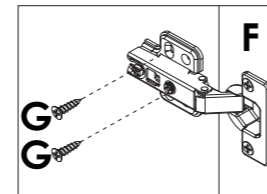
15



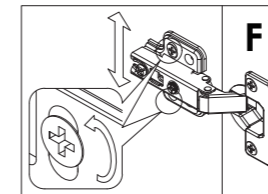
16



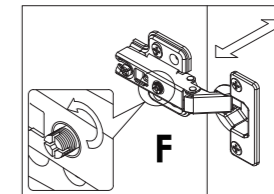
step1



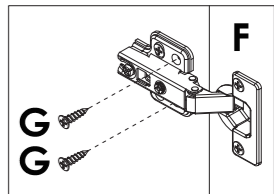
step2



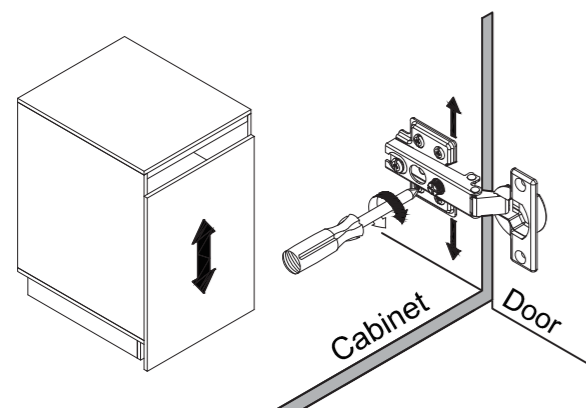
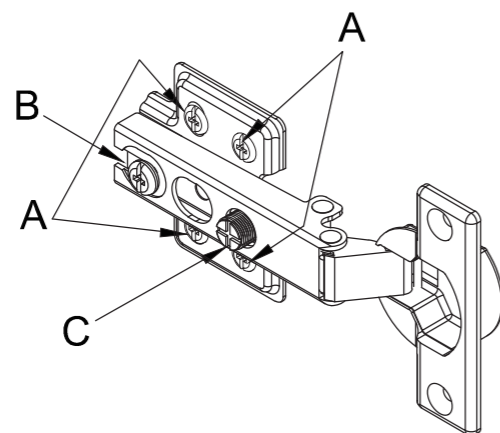
step3



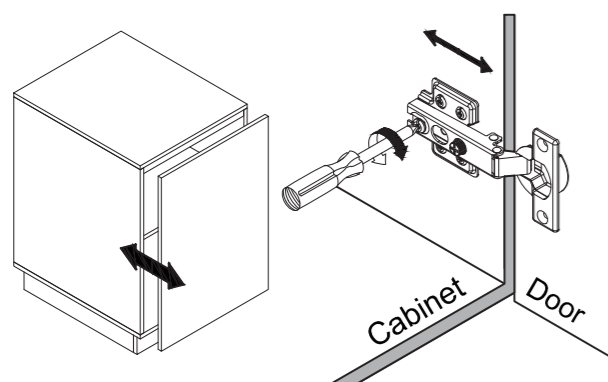
step4



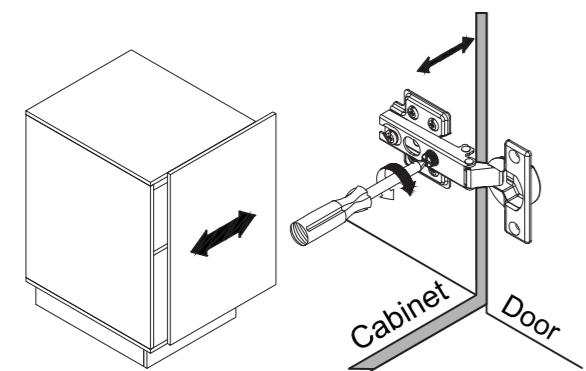
SCHEMATIC DIAGRAM OF HINGE ADJUSTMENT



To adjust the vertical height.
Loosen the four screws "A" on both hinges. Two of them are usually in slotted holes which allows you to adjust up or down by a few mm. Then tighten back up.



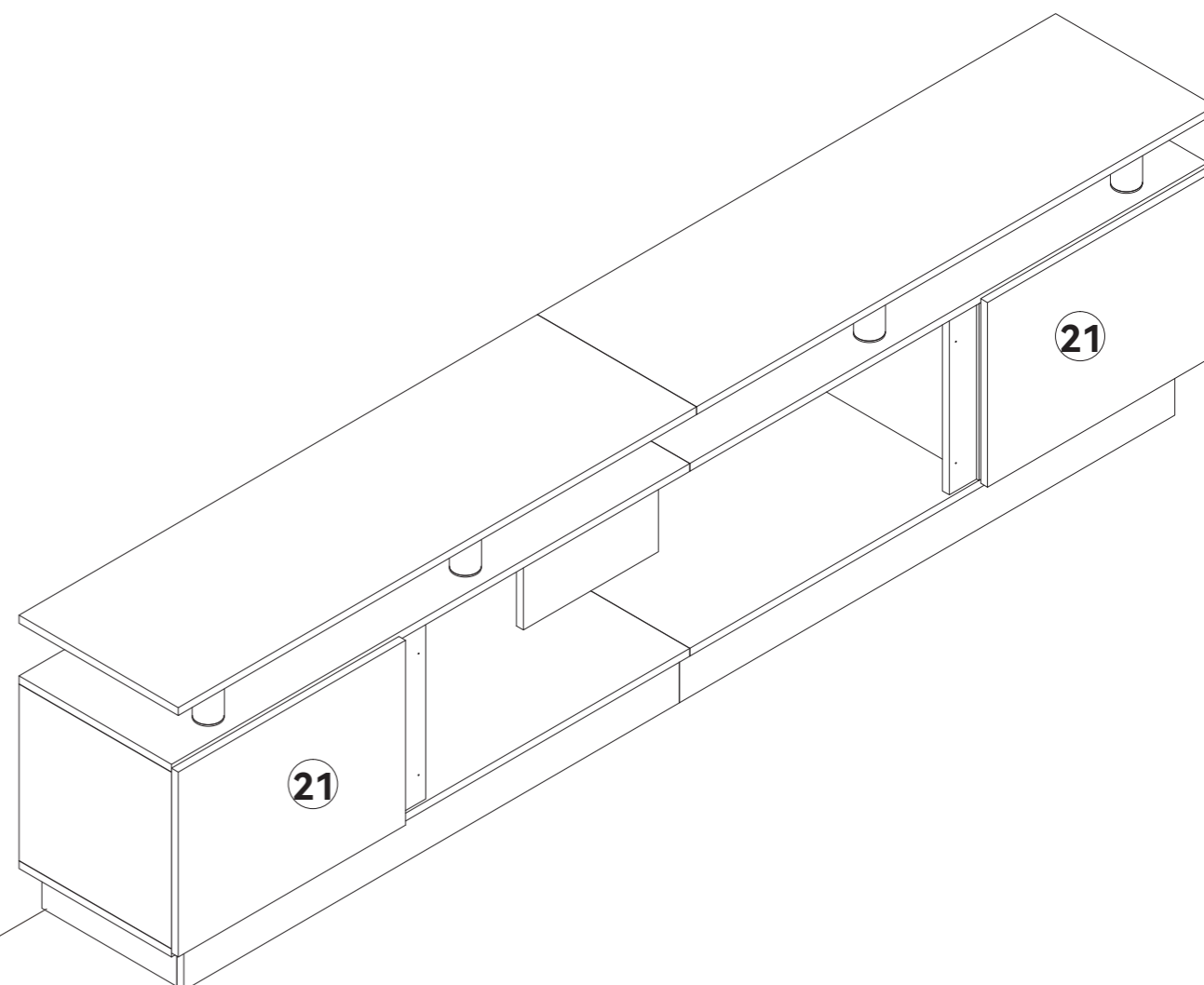
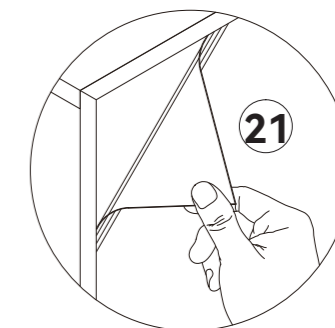
To adjust depth.
Loosen screw "B" and adjust door, if the door can not be adjusted, please loosen screw "C", then try again. Tighten screw "B" and "C".



To adjust side ways.
Turning the screw "C" on BOTH hinges on each door.

17

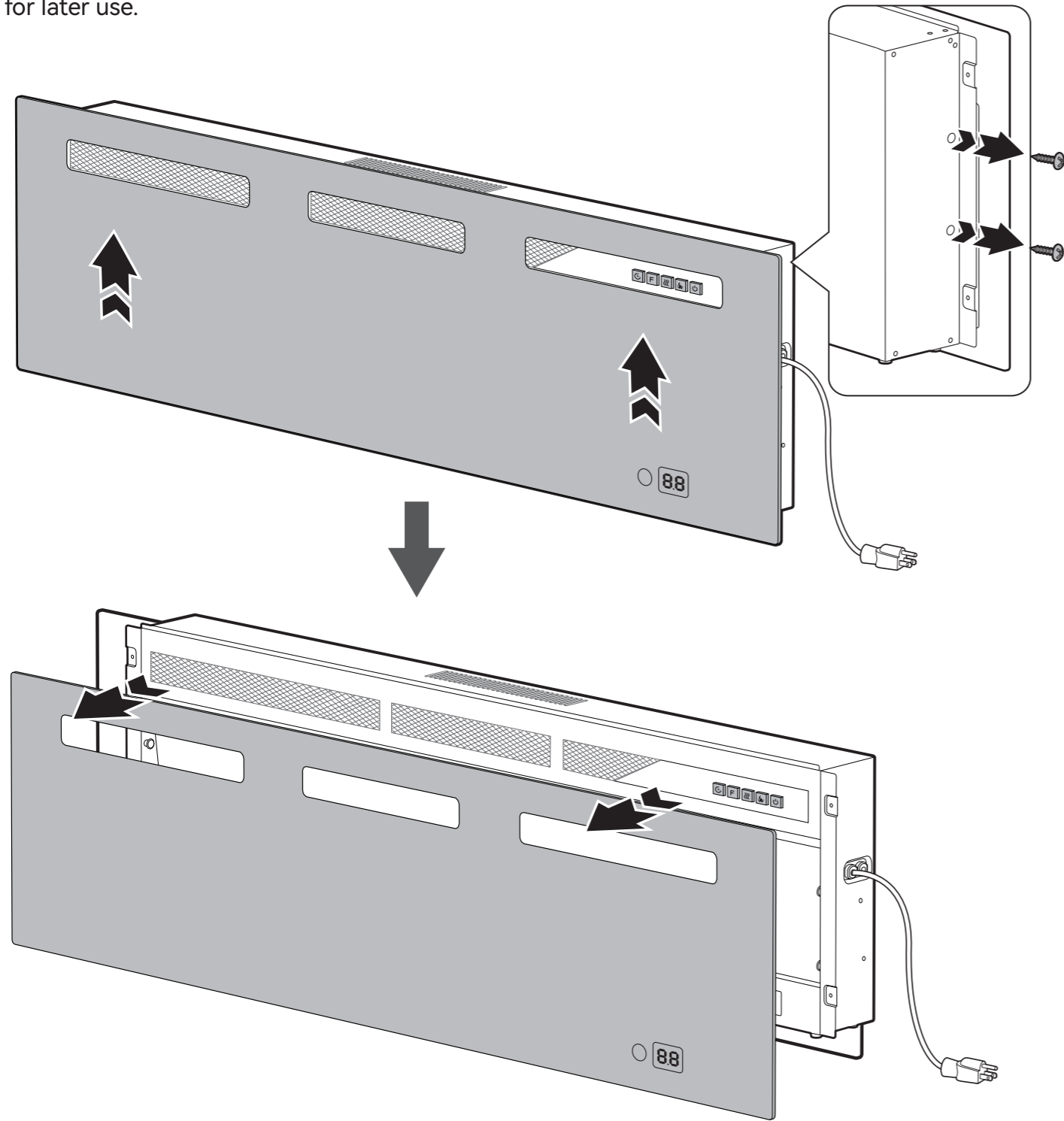
WALL



18

Removing Front Glass Panel

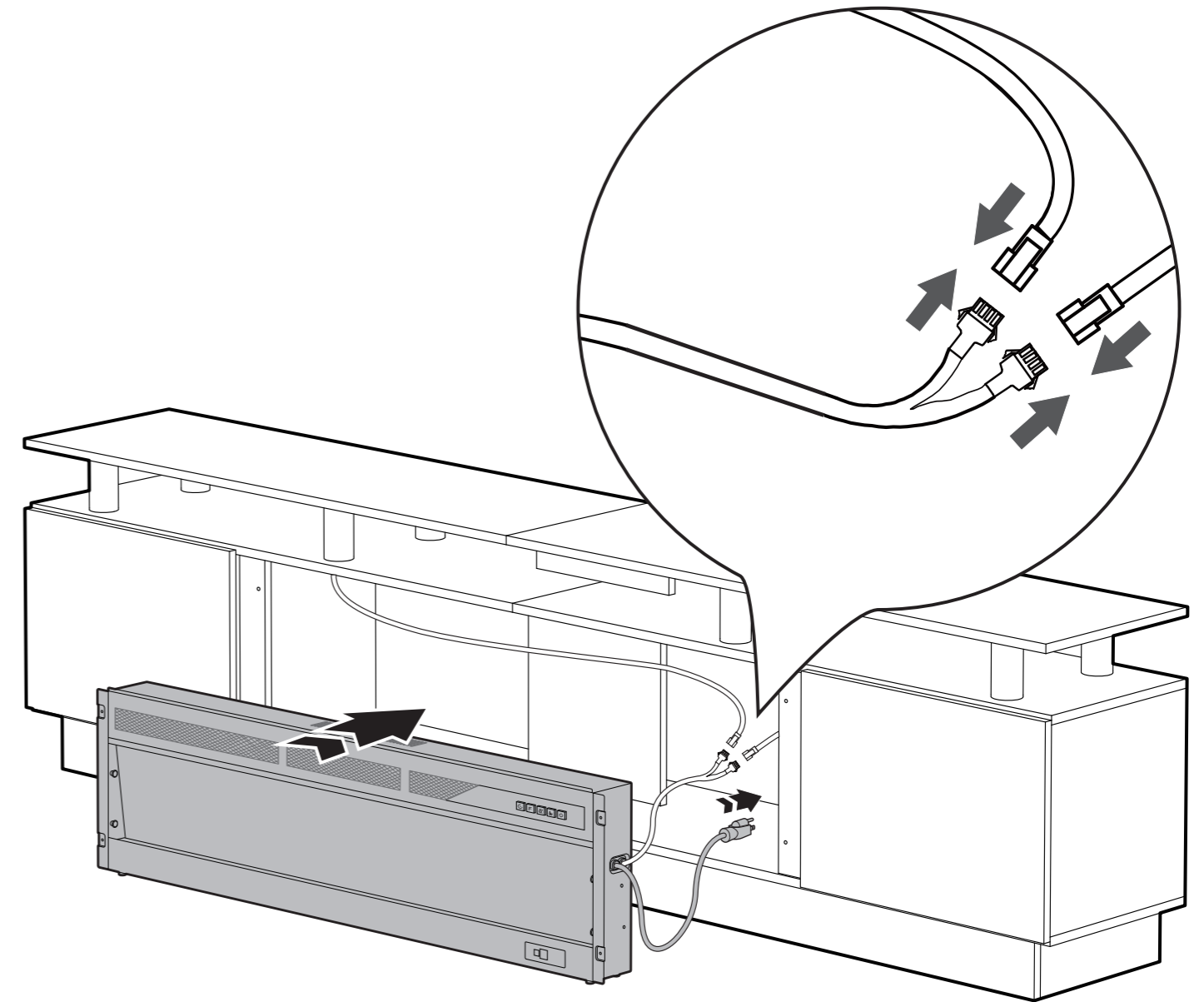
Unscrew the four screws from the sides (two on each side) of the fireplace. Carefully lift and remove the front glass panel. Set aside for later use.



19

Attaching Fireplace & Connecting Strip Lights

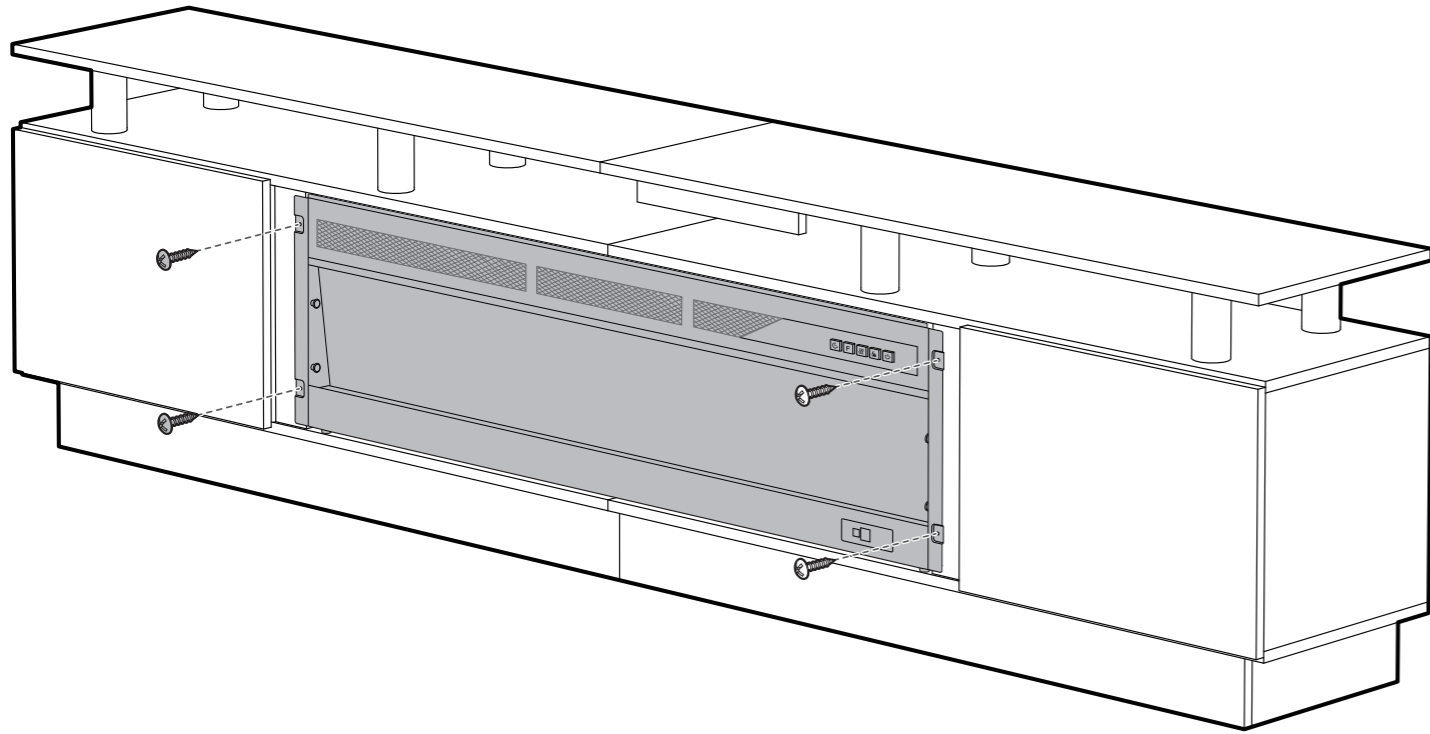
Gently hold and place the fireplace in the TV stand by 2 people. Run the power cord and plug through the back. Plug in the strip light.



20

Securing Fireplace

Align with the holes on the TV stand and fix the fireplace onto the TV stand with four ST4*12 screws (separately packed in package of fireplace).



21

Attaching Front Glass Panel

Place the decorative crystals in. Align with the lugs on the inner sides of the fireplace and attach the front glass panel back in place.

