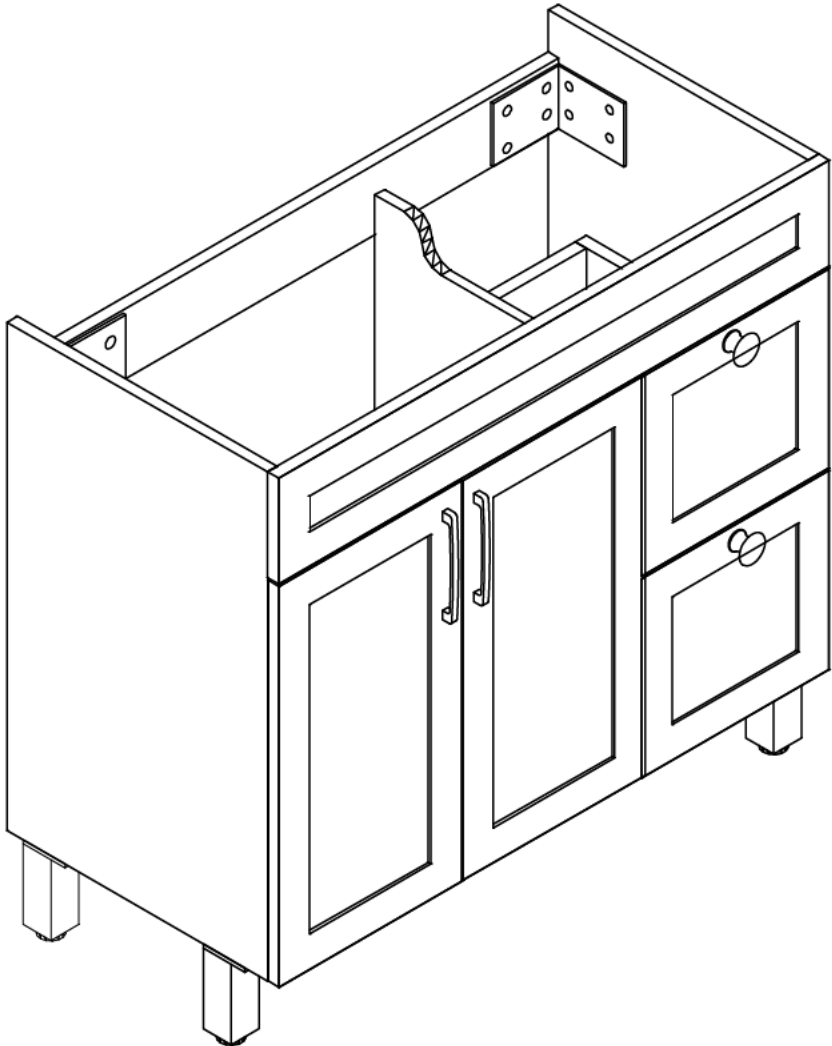
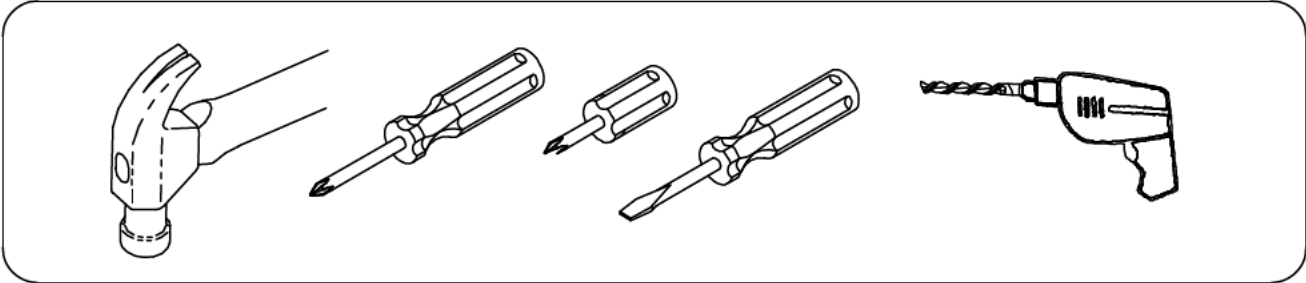


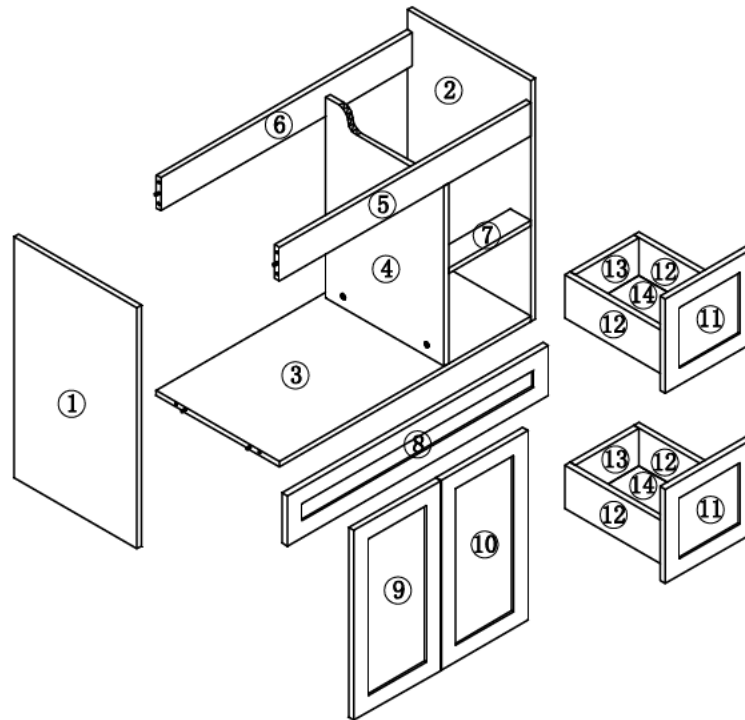
# DIMENSIONS



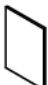



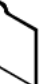

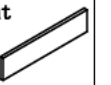

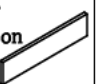
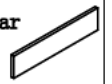
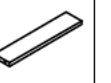












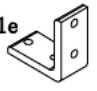



## YOU MAY NEED (NOT SUPPLY)



# ASSEMBLY DIAGRAM





PARTS LIST					
PARTS LIST					
NO	DESCRIPTION	QTY	NO	DESCRIPTION	QTY
①	Left side panel 	1	⑧	Front baffle panel 	1
②	Right side panel 	1	⑨	Left door panel 	1
③	Bottom panel 	1	⑩	Right door panel 	1
④	Center partition panel 	1	⑪	Drawer front panel 	2
⑤	Upper front tension bar 	1	⑫	Drawer side panel 	4
⑥	Upper rear back tension bar 	1	⑬	Drawer rear panel 	2
⑦	Strip 	1	⑭	Drawer bottom panel 	2

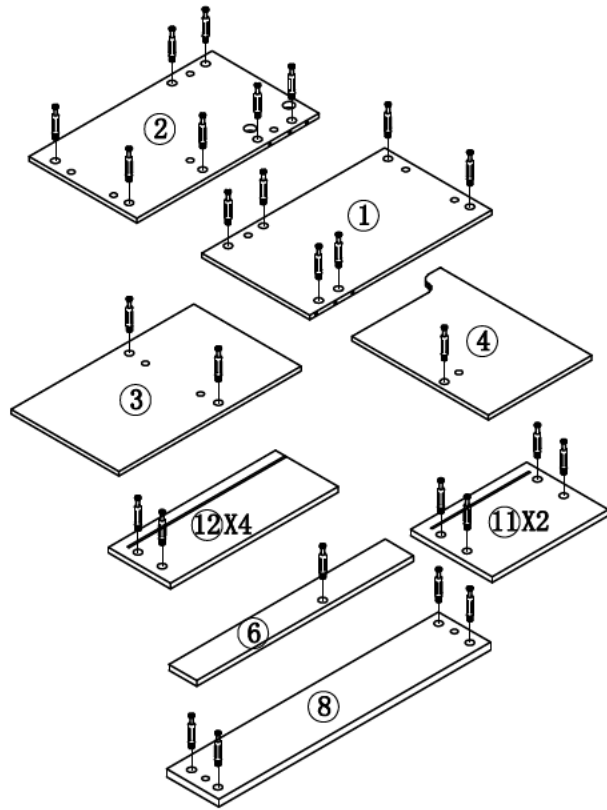
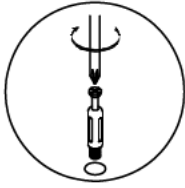
PARTS LIST					
HARDWARE LIST					
NO	DESCRIPTION	QTY	NO	DESCRIPTION	QTY
A	Three-in-one eccentric wheel 	38	H	Door handle 	2
B	Three-in-one connecting rod 	38	I	White angle bracket 	2
C	Three-in-one sticker 	38	J	Drawer handle 	2
D	8*40mm wood dowel pins 	14	K	Aluminum alloy leg 	4
E	Drawer slides 	4	L	Small angle bracket 	1
F	4*16mm screw 	80	M	Door hinge 	4
G	4*23mm screw 	6			

CAUTION:  
Please confirm the parts list before installation

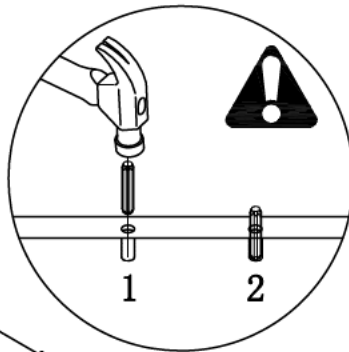
# STEP 1

HARDWARE LIST	
Three-in-one connecting rod B  38PCS	

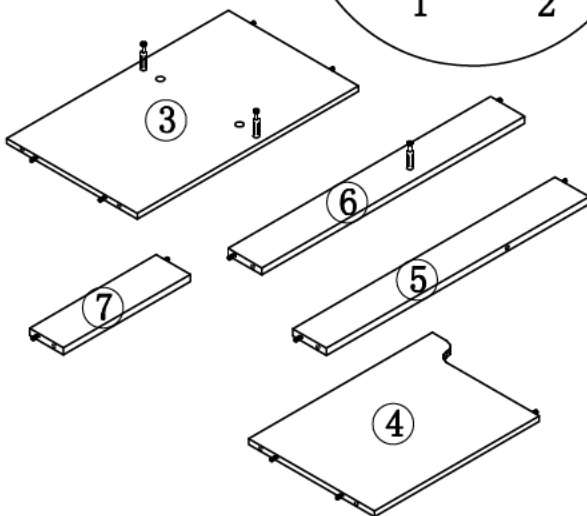
1. Put the three-in-one connecting rod in the  $\phi 10\text{mm}$  hole of the following panels and tighten them with a cross screwdriver or an electric tool.





# STEP 2

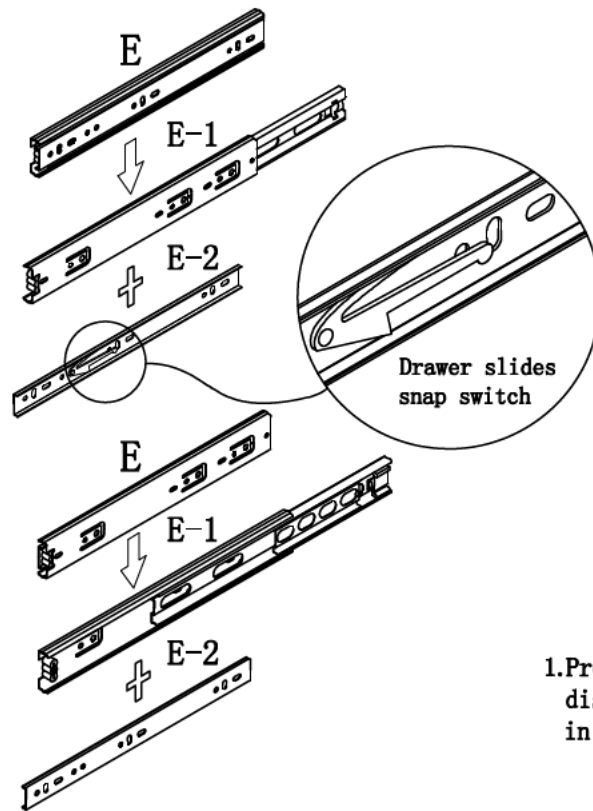




1. Strike the  $\phi 08*40\text{mm}$  wood dowel pin into the  $\phi 8\text{mm}$  hole of the above panels with an iron hammer. Please note that the hole of the three-in-one connecting rod should also be 8mm. The hole of the three-in-one connecting rod connects to the hole of  $\phi 15\text{mm}$  three-in-one eccentric wheel.



HARDWARE LIST	
8*40mm wood dowel pins D  14PCS	

# STEP 3

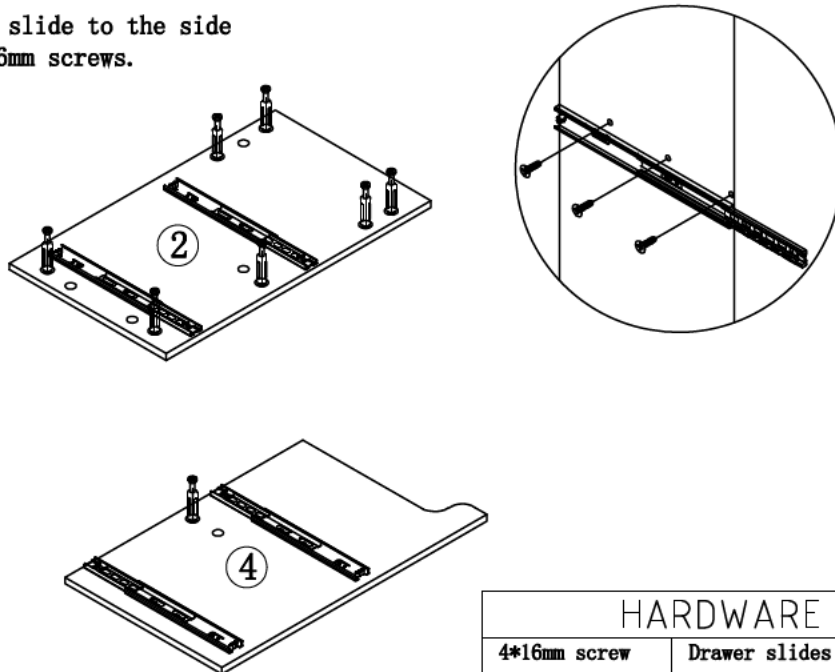





HARDWARE LIST	
Drawer slides	
E  4PCS	

1. Press the slide snap switch, disassemble slide blocks and put them in a place properly for further use.

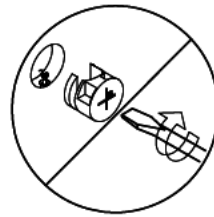
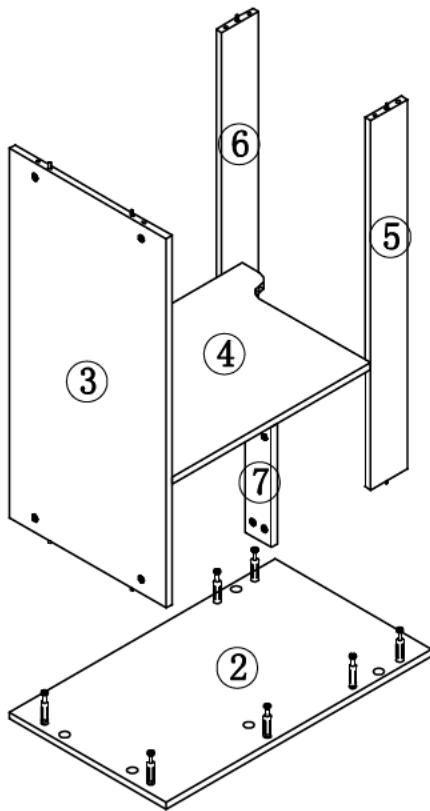
# STEP 4

1. Fix the drawer slide to the side panel with 4\*16mm screws.

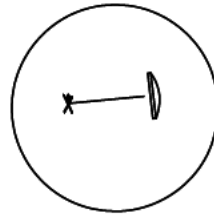


HARDWARE LIST		
4*16mm screw	Drawer slides	
F  12PCS	E-1  4PCS	




# STEP 5



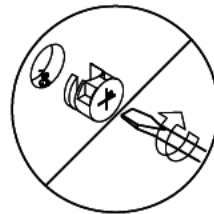
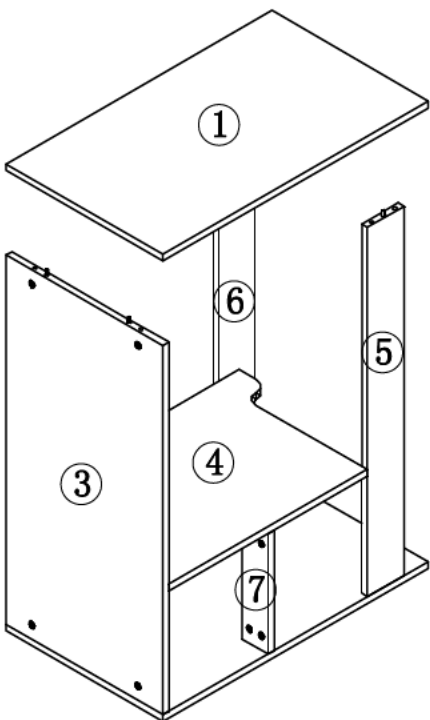
1. Connect No. 3-4-5-6-7 panel to No. 2 panel tightly with the three-in-one eccentric wheel.



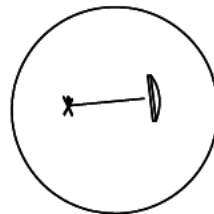
2. Cover the mounting hole of the eccentric wheel with a three-in-one sticker.

HARDWARE LIST		
Three-in-one eccentric wheel A  12PCS	Three-in-one sticker C  12PCS	




# STEP 6



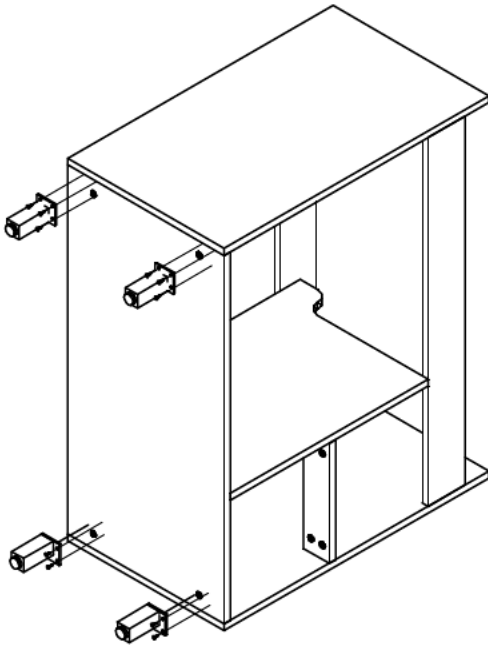
1. Connect No. 1 panel to No. 3-5-6 panel tightly with the three-in-one eccentric wheel.



2. Cover the mounting hole of the eccentric wheel with a three-in-one sticker.

HARDWARE LIST		
Three-in-one eccentric wheel A  6PCS	Three-in-one sticker C  6PCS	

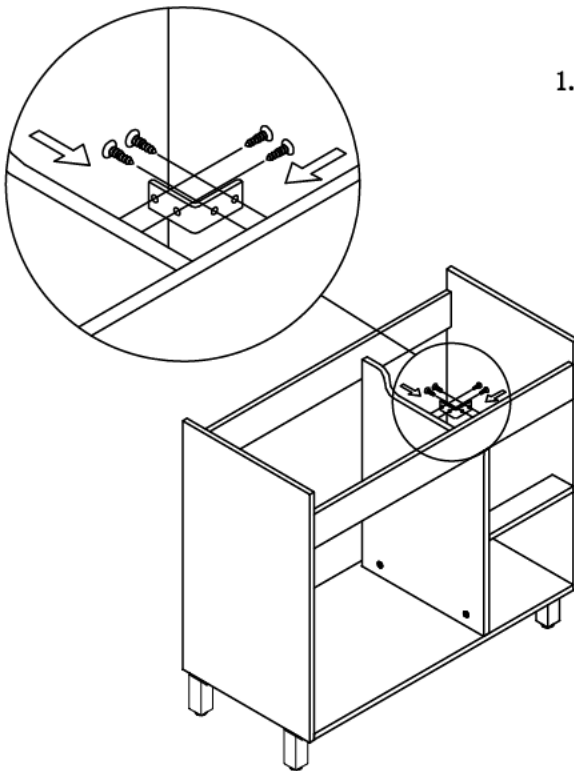
# STEP 7






1. Fix feet of the cabinet with 4\*16mm screws.

HARDWARE LIST		
4*16mm screw	Aluminum alloy leg	
F  12PCS	K  4PCS	

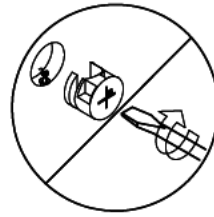
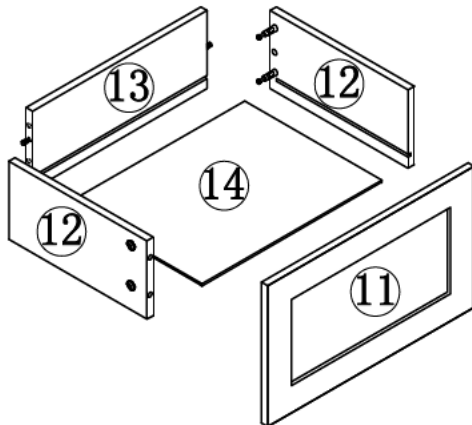
# STEP 8



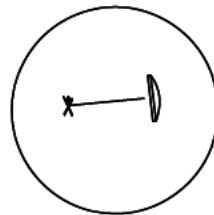
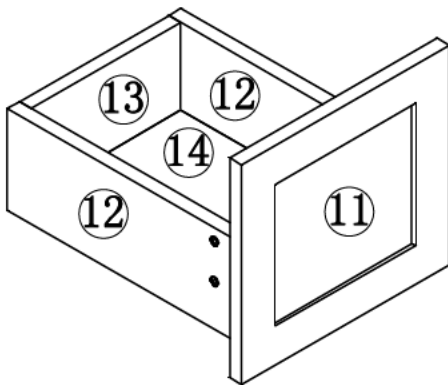
1. Install small angle bracket and reinforced middle partition.

HARDWARE LIST		
4*16mm screw	Small angle bracket	
F  4PCS	L  1PCS	




# STEP 9



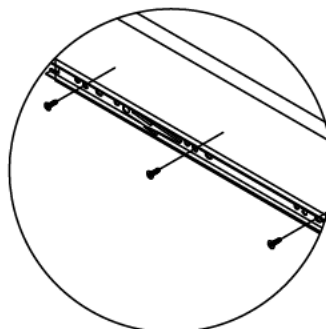
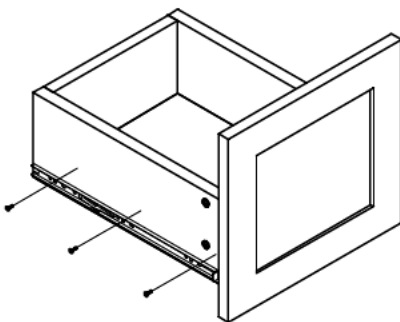
1. Install No. 11-12-13-14 panels with the three-in-one eccentric wheel tightly.





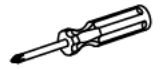
2. Cover the mounting hole of the eccentric wheel with a three-in-one sticker.

HARDWARE LIST		
Three-in-one eccentric wheel A  16PCS	Three-in-one sticker C  16PCS	

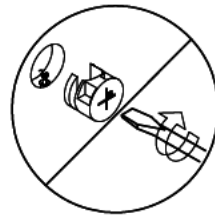
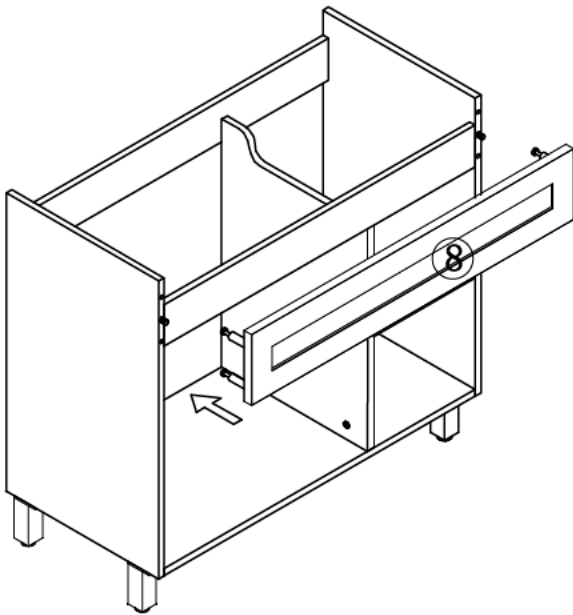
# STEP 10



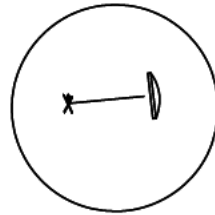
3. Lock the spare drawer slide block to the drawer.

HARDWARE LIST		
4*16mm screw F  12PCS	Drawer slides E-2  4PCS	

# STEP 11





1. Install No. 8 panels with the three-in-one eccentric wheel tightly.



2. Cover the mounting hole of the eccentric wheel with a three-in-one sticker.

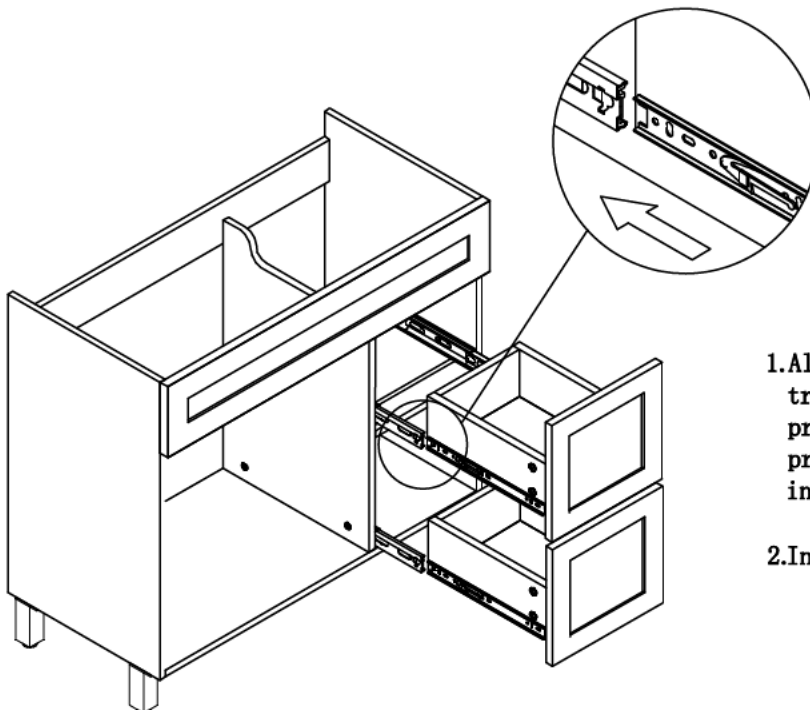
## HARDWARE LIST

Three-in-one  
eccentric wheel  
A  4PCS

Three-in-one  
sticker  
C  4PCS



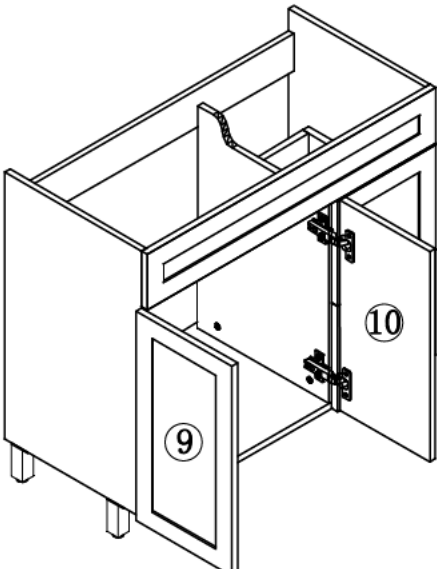
# STEP 12



1. Align slide block with the trough on the guide rail, press the snap switch and press it forward to install the drawer.

2. Install drawer handles.

# STEP 13






1. Install the hinge cup to the door panel with 4\*16mm screws.

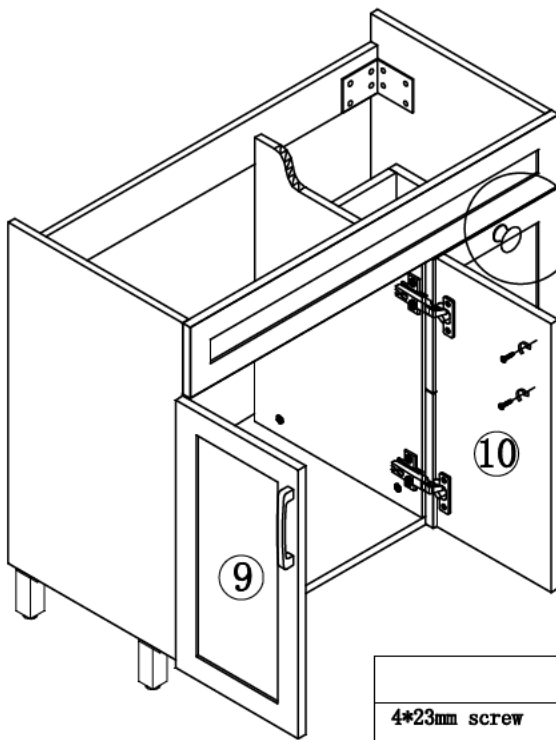
2. Install the hinge to the side panel with 4\*16mm screws.

3. Install the hinge cup on the door panel to the hinge of the side panel.





4. Adjust the door panel clearance.

HARDWARE LIST		
4*16mm screw	Door hinge	
F  24PCS	M  4PCS	

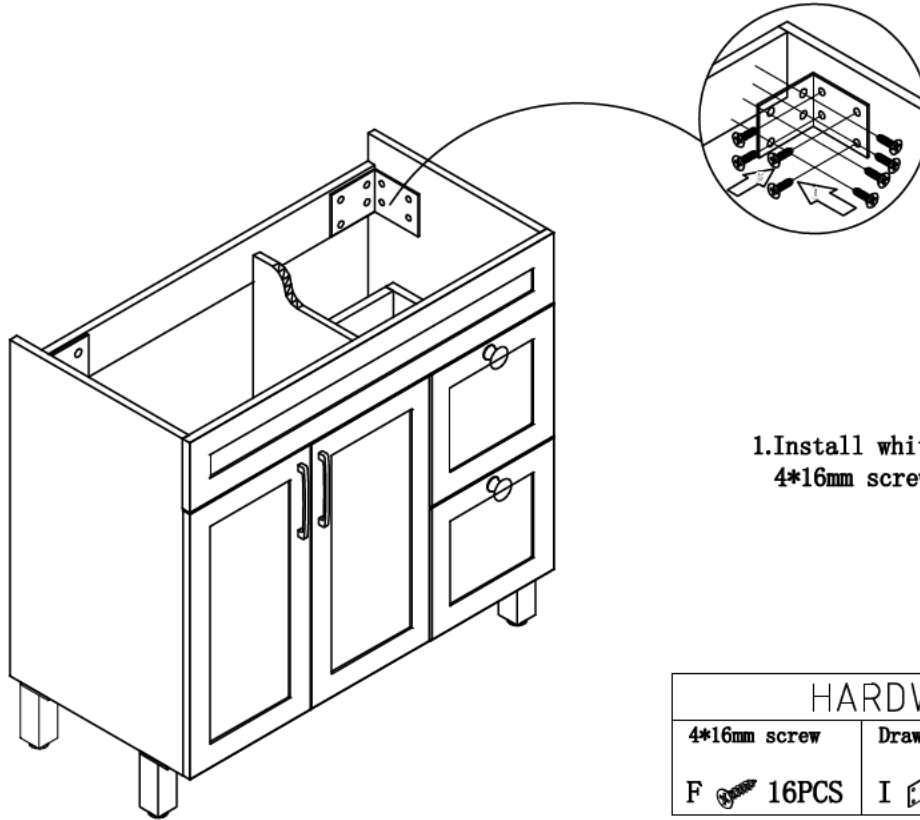
# STEP 14



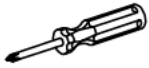


1. Install the door handle with 4\*23mm screws.

HARDWARE LIST			
4*23mm screw	Door handle	Drawer handle	
G  6PCS	H  2PCS	J  2PCS	

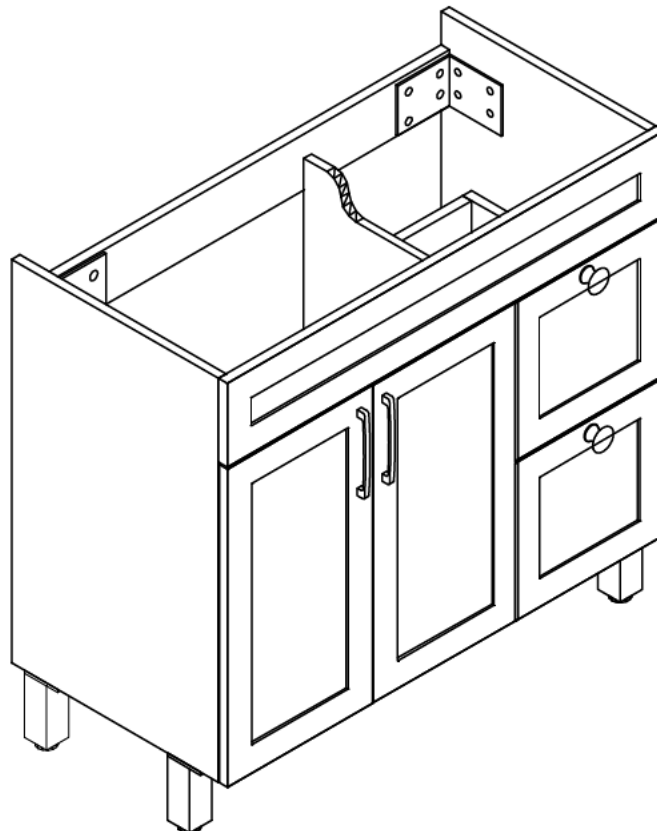
# STEP 15



1. Install white angle bracket with 4\*16mm screws.

HARDWARE LIST		
4*16mm screw	Drawer slides	
F  16PCS	I  2PCS	

# STEP 16





**Choking hazard-Small Parts :** This unit contains small parts, not for children under 3 years.

**Tip-over hazard :** Secure finished unit to wall stud using L-Bracket and wall screw (#10\*1.5"W/out provided). If a wall stud is not neccessible , Consault your local hardware store for appropriate mounting hardware . Failure to properly install will result in product collapse or tip-over. Serious injury can occur .