



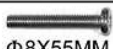





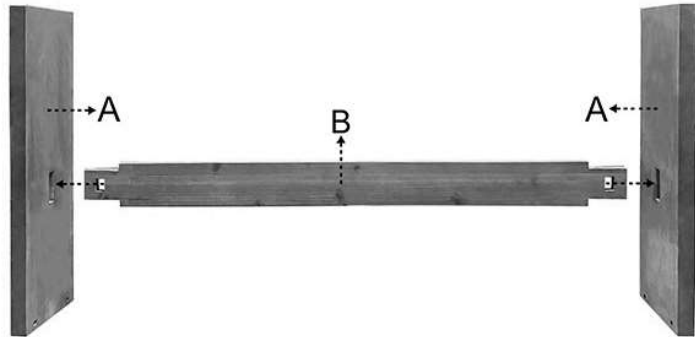
ASSEMBLY INSTRUCTIONS

PDHC6057


Components List

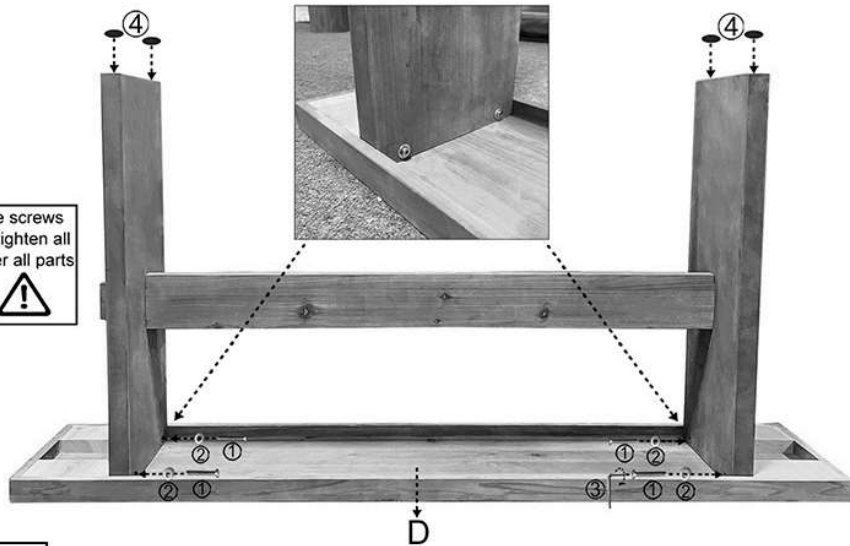
A		2PCS	B		1PC
C		2PCS	D		1PC
①		4+1PCS	②		4+1PCS
			③		1PC
			④		4+2PCS


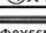
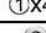

STEP 1



STEP 2

Please tighten the screws to 70% first, and tighten all screws 100% after all parts are assembled. 



	④x4
	①x4
	②x4
	③x1

STEP 3



STEP 4



ATTENTION

If there is any missing, please kindly send us messages to let us know the name of missing part regarding to the first page of instructions. Please also provide us your full address so we can send replacement to you as soon as possible. We are concerned about each customer's experience, if there is any loss or damage, please contact us at any time, we will provide effective solutions. Customer service E-mail: cservice7@yeah.net. Please attach your Order ID so that we can assist you better.