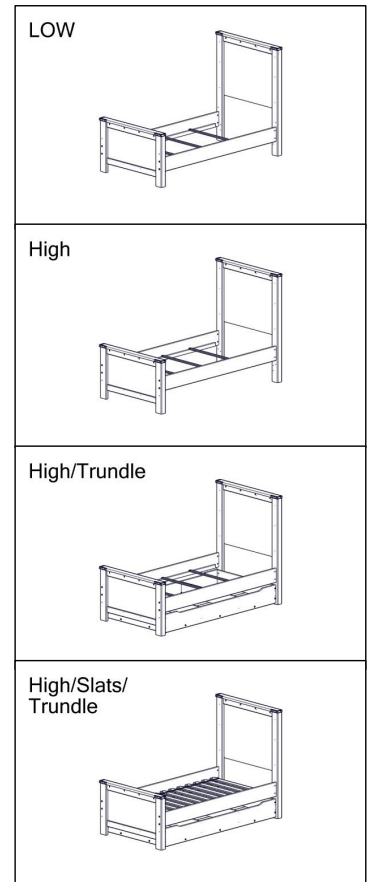
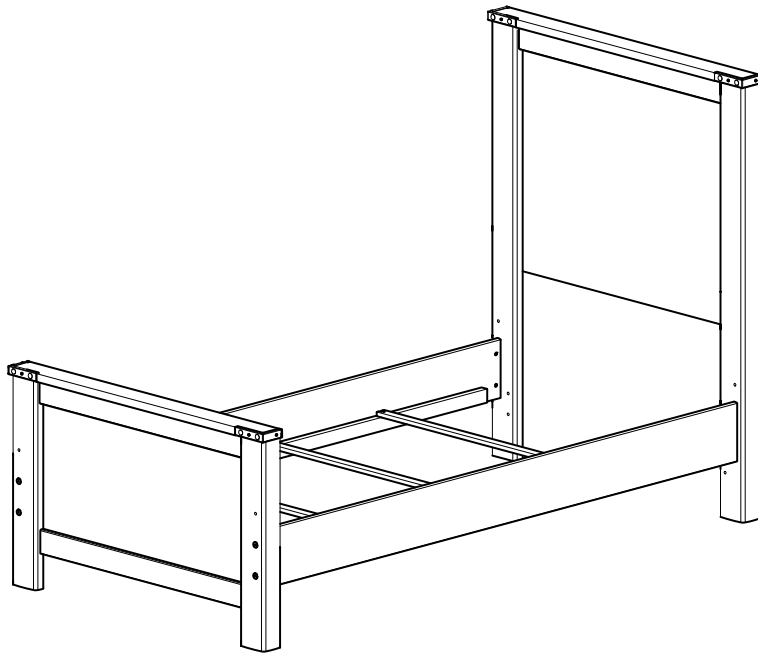
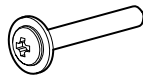


Twin Bed Assembly



Hardware Components

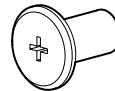
This bag contains small parts that present a choking hazard for children under 3 years of age. These parts are for adult assembly only and should be permanently affixed to the furniture. Any unused parts should be discarded properly.



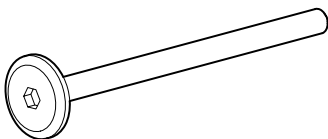
X6
8 x 1 1/4"



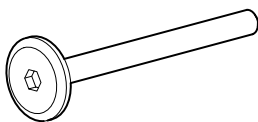
X8



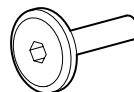
X2



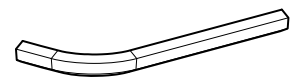
X4
1/4-20 x 80mm



X4
1/4-20 x 60mm

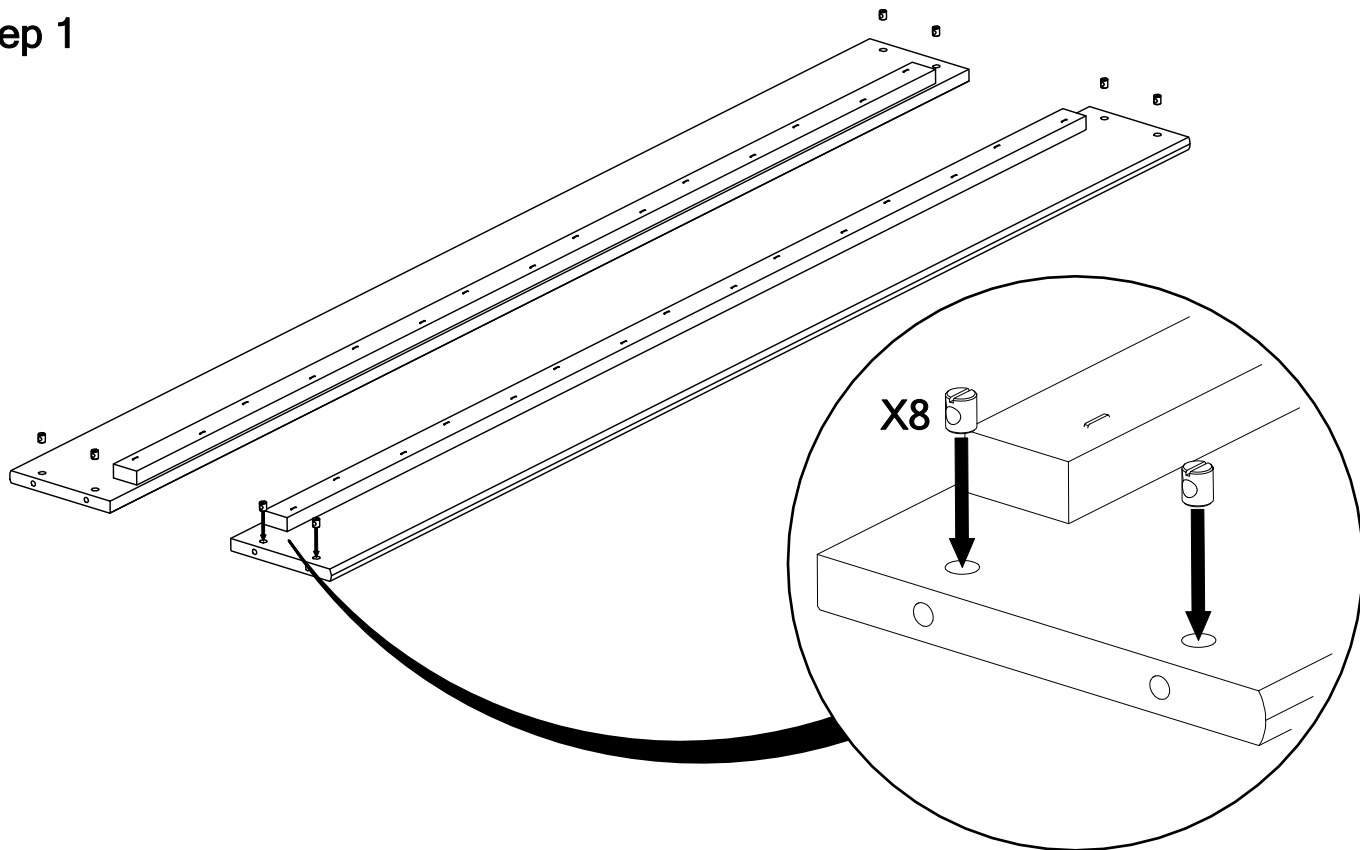


X2
1/4-20 x 25mm

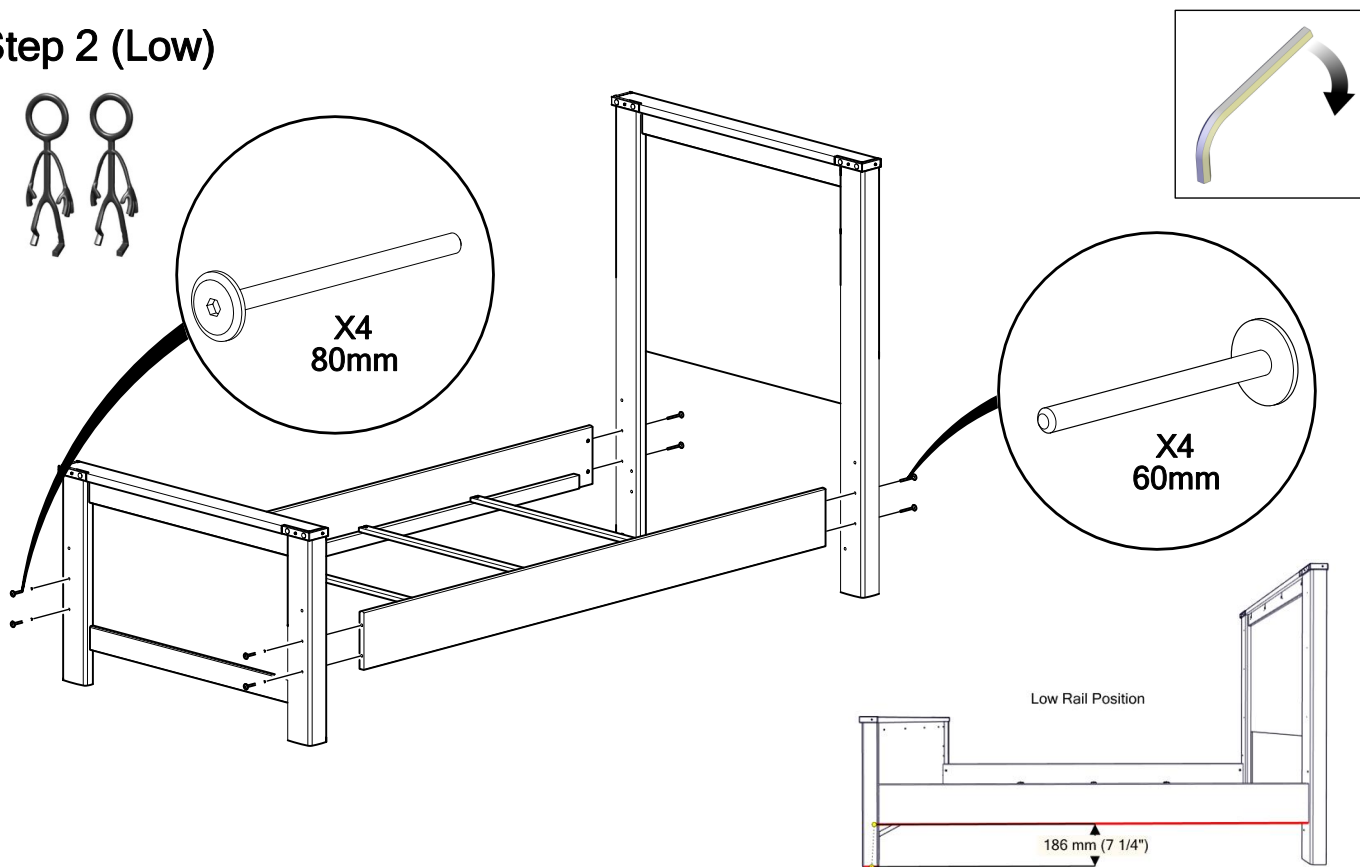


X1

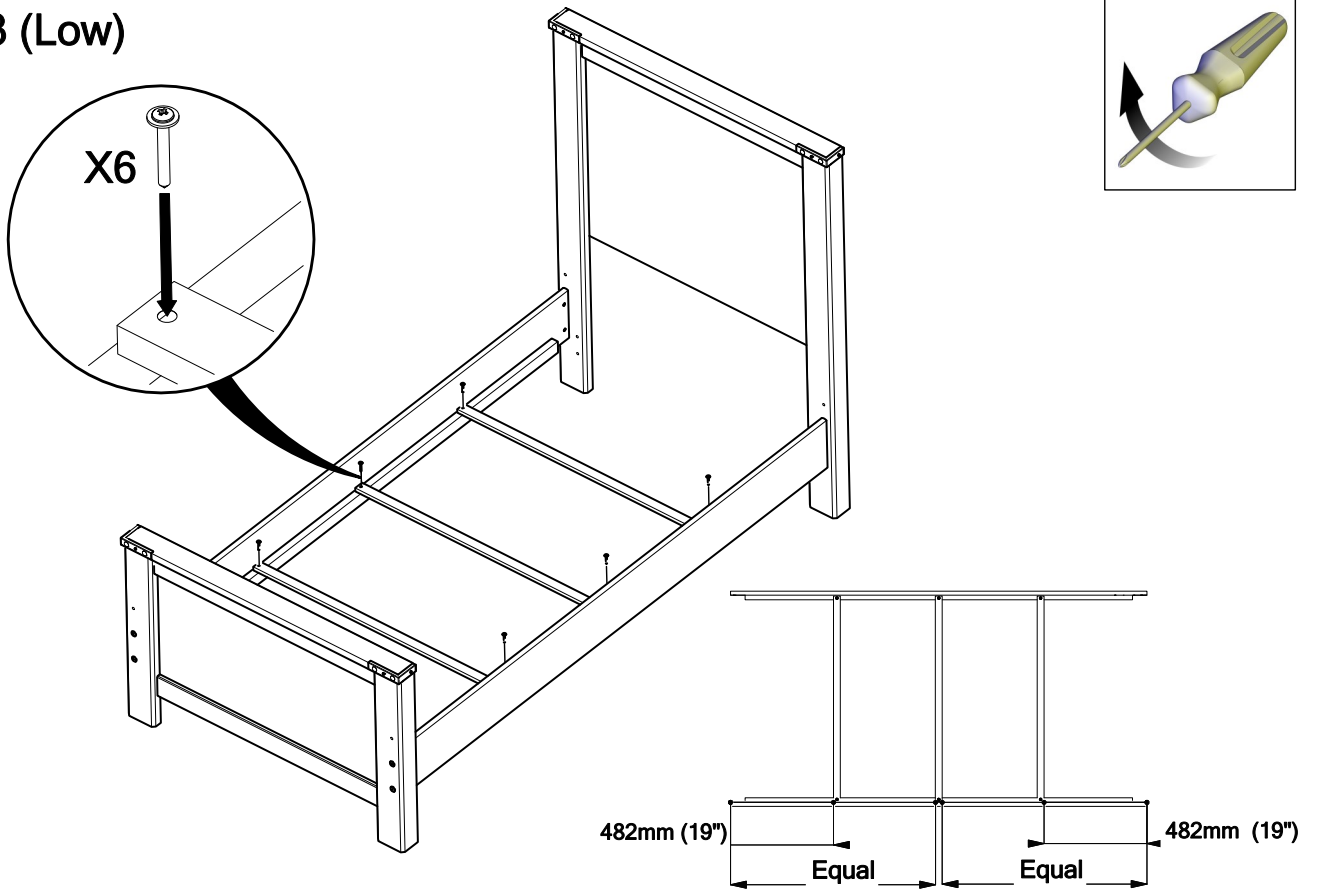
Step 1



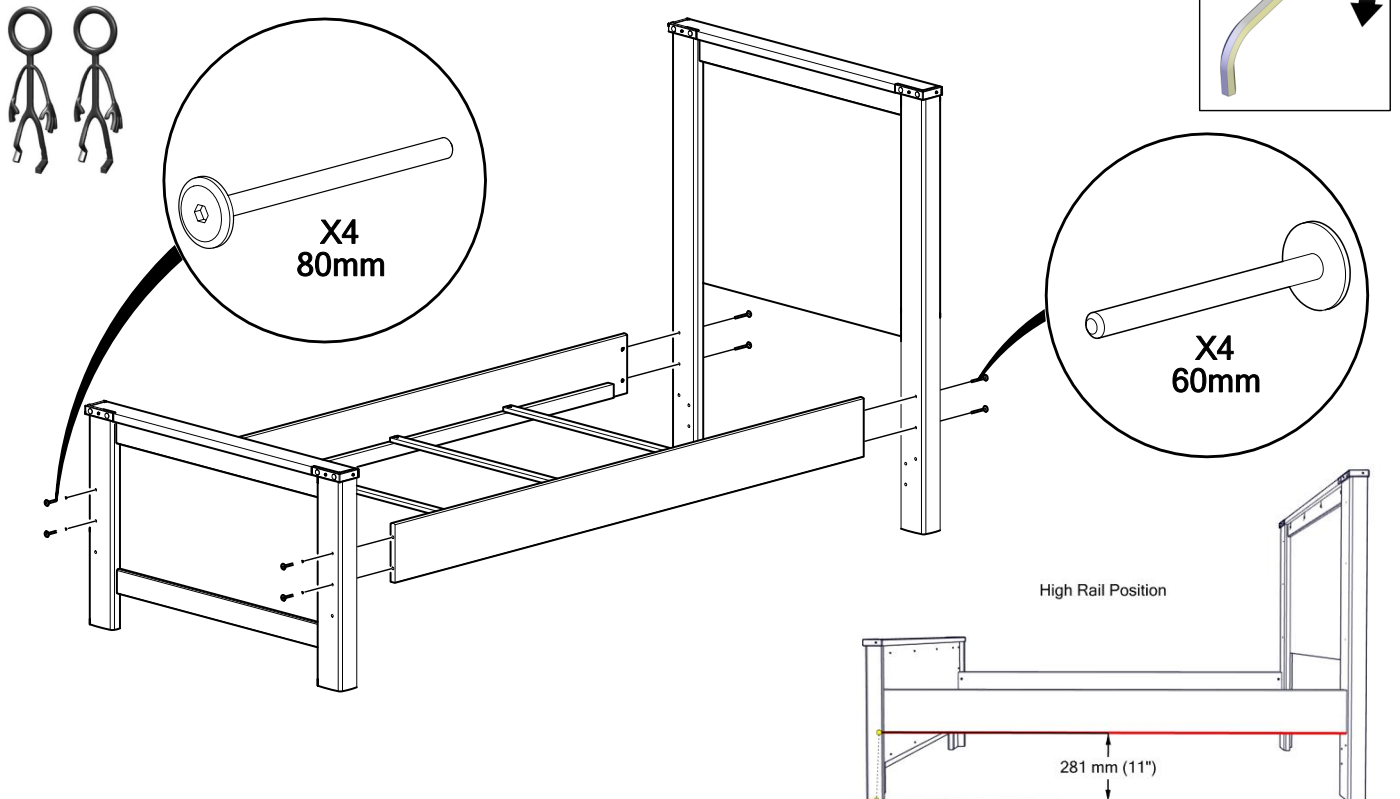
Step 2 (Low)



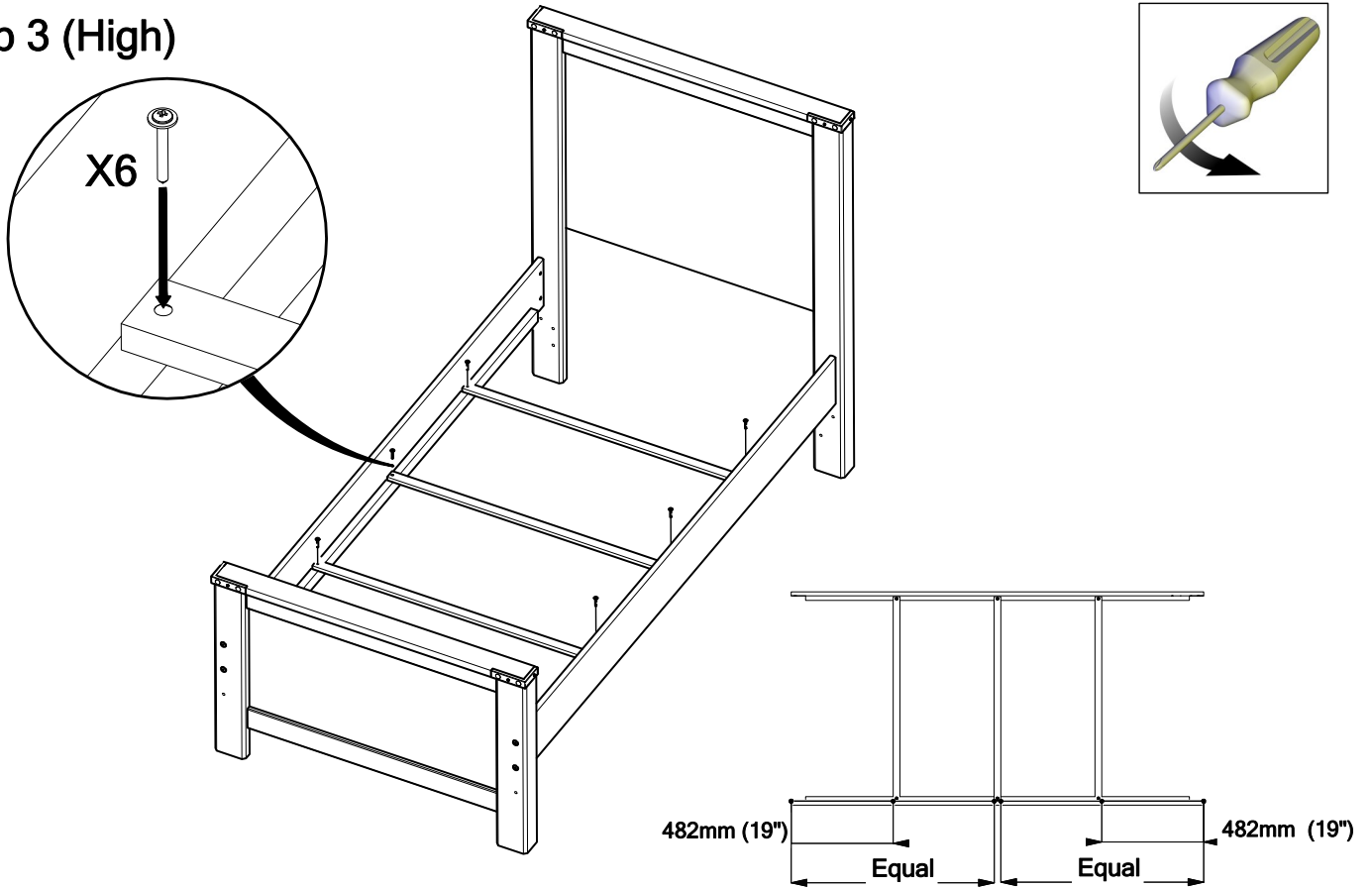
Step 3 (Low)



Step 2 (High)



Step 3 (High)



High Rail Position Options

Roll Slats (Optional)
See Roll Slat Assembly
Instructions

