

# CENTURY FURNITURE

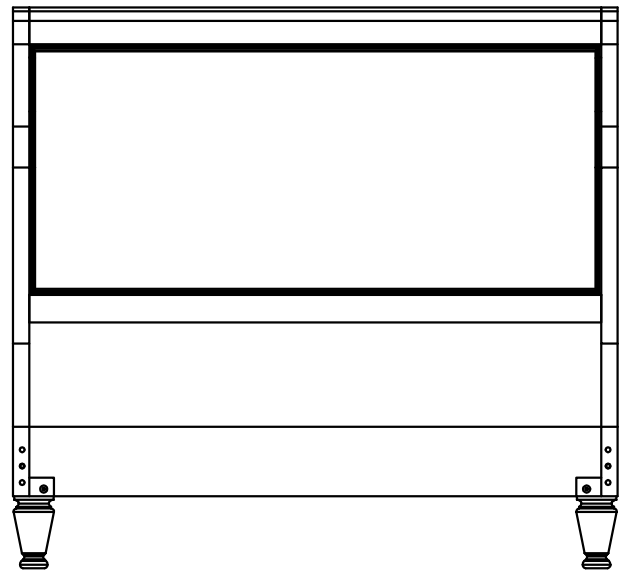
## ASSEMBLY INSTRUCTIONS FOR 36-175/176 PLATFORM BED

Tools required : Flat Head Screwdriver,Phillips Head Screwdriver,7/16" Wrench,Tape Measure

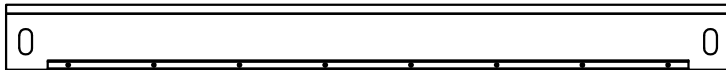
Please read all instructions carefully before starting the assembly process.Some parts are large and heavy and require AT LEAST TWO PEOPLE to assemble,to help prevent possible injury and or damage to the piece.

### LIST OF PART AND HARDWARE 5/0,6/6 POSTER BED

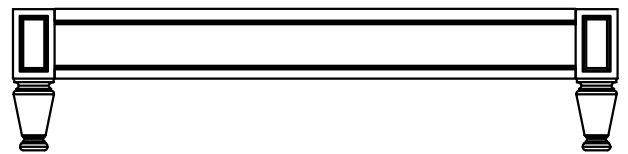
Part	Quantity	Description
1	1	Assembly Headboard Panel
2	1	Assembly Footboard Panel
3	2	Side Rail
4	1	Center Support
5	5	Slat
6	4	5/16" Flat Washer
7	4	5/16" Hex Head Nut
8	4	5/16" x 3-1/2" Threaded Rod
9	4	Elongated Washer
10	5	1/4-20 x 1-1/2" UHD Bolt
11	10	1-1/4" Washer Head Screw
12	1	5/32" Hex Wrench



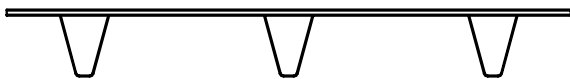
\*1.Assembly Headboard Panel



\*3.Side Rail



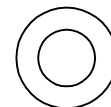
\*2.Assembly Footboard Panel



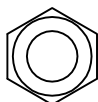
\*4.Center Support



\*5.Slat



\*6.Flat Washer



\*7. 5/16" Hex Head Nut

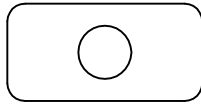


\*8. 5/16" x 3-1/2" Threaded Rod

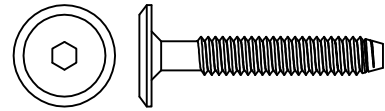
# CENTURY FURNITURE

## ASSEMBLY INSTRUCTIONS FOR 36-175/176 PLATFORM BED

Please read all instructions carefully before starting the assembly process. Some parts are large and heavy and require AT LEAST TWO PEOPLE to assemble, to help prevent possible injury and or damage to the piece.



\*9. Elongated Washer



\*10. 1/4-20 x 1-1/2" UHD Bolt

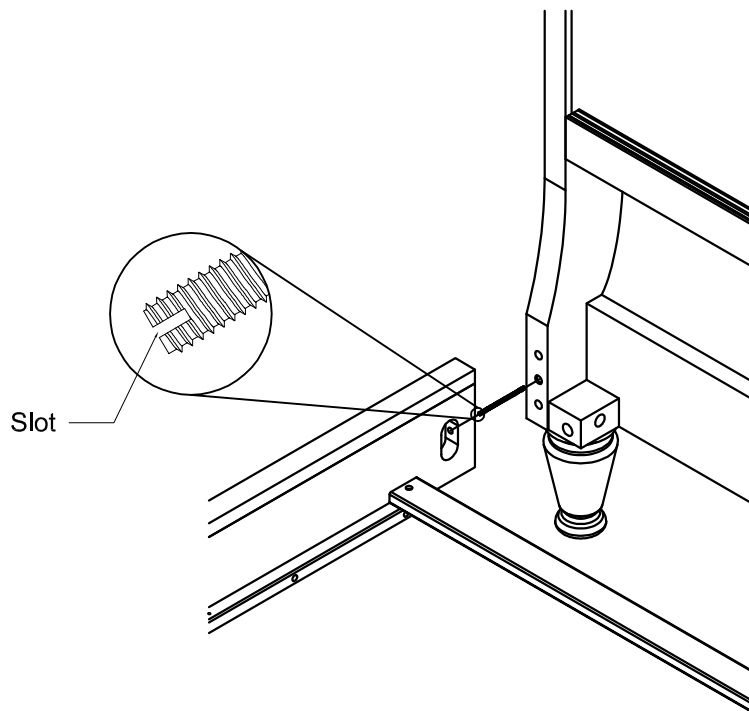


\*11. 1-1/4" Washer Head Screw



\*12. 5/32" Hex Wrench

1. Thread two (2) of the 5/16" x 3-1/2" Threaded Rods (Part 8) into Headboard until between 2-1/8" and 2-1/4" remains exposed. A slot has been provided in one end of the rod so that a flat head screwdriver may be used if necessary. Use a tape measure to verify that the correct amount of rod is exposed. The Threaded rods must be visually inspected to insure they are aligned reasonably straight in order to slide the side rail over them. Set Headboard assembly aside.



2. Follow step 1 except use the Footboard (Part 2) and two (2) of the 5/16" x 3-1/2" Threaded Rods (part 8) for footboard. (Visually inspect the threaded rods to insure they are aligned reasonably straight)

# CENTURY FURNITURE

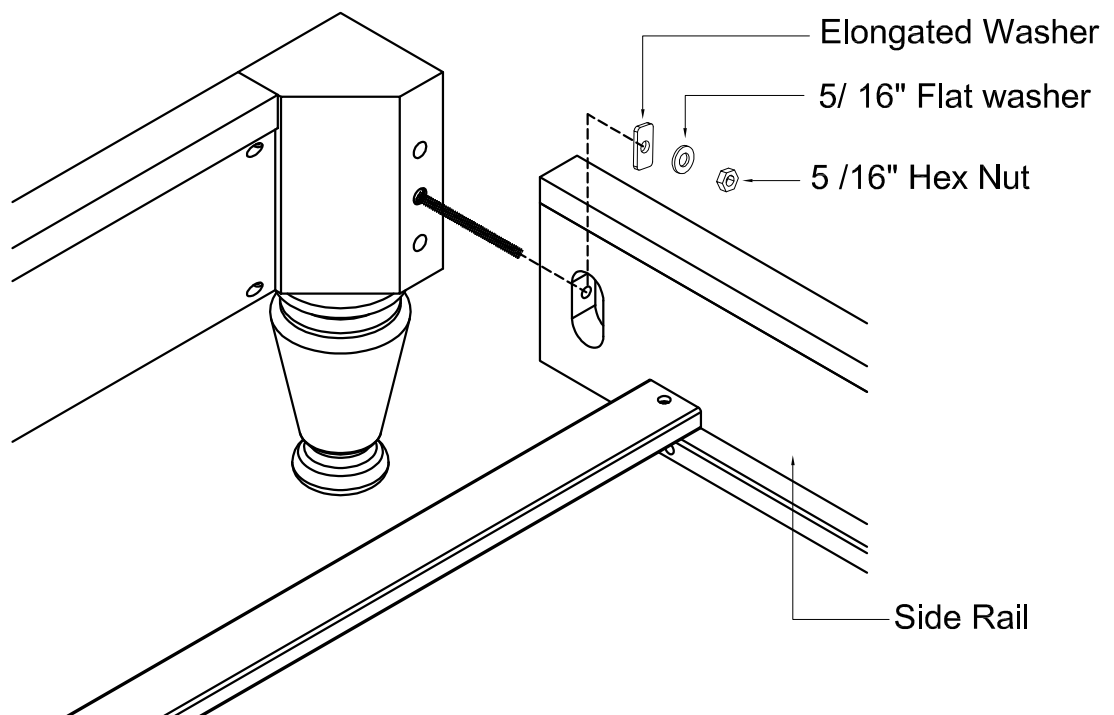
## ASSEMBLY INSTRUCTIONS FOR 36-175/176 PLATFORM BED

Please read all instructions carefully before starting the assembly process. Some parts are large and heavy and require AT LEAST TWO PEOPLE to assemble, to help prevent possible injury and or damage to the piece.

3. While supporting the Footboard (part 2), position one (1) Side Rail (Part 3) as shown below. The dowel protruding from the side rail will fit into corresponding hole in post. Attach side rail to Footboard assembly with one (1) Elongated Washers (part 11), one (1) 5/16" Flat Washer (part 9) and one (1) 5/16" Hex Head Nut (part 10). Tighten securely using the 7/16" Wrench (DO NOT OVER TIGHTEN, DAMAGE MAY OCCUR).

**Note : The cleat on the side rail must be located on the bottom of side rail and toward the inside of the bed**

Repeat for second Side Rail (Part 3) at the other side of the Footboard.



4. Using the same procedure as step 3, attach the Headboard (Part 1) to the other end of the Side Rail (Part 3). Move Bed to Final location.

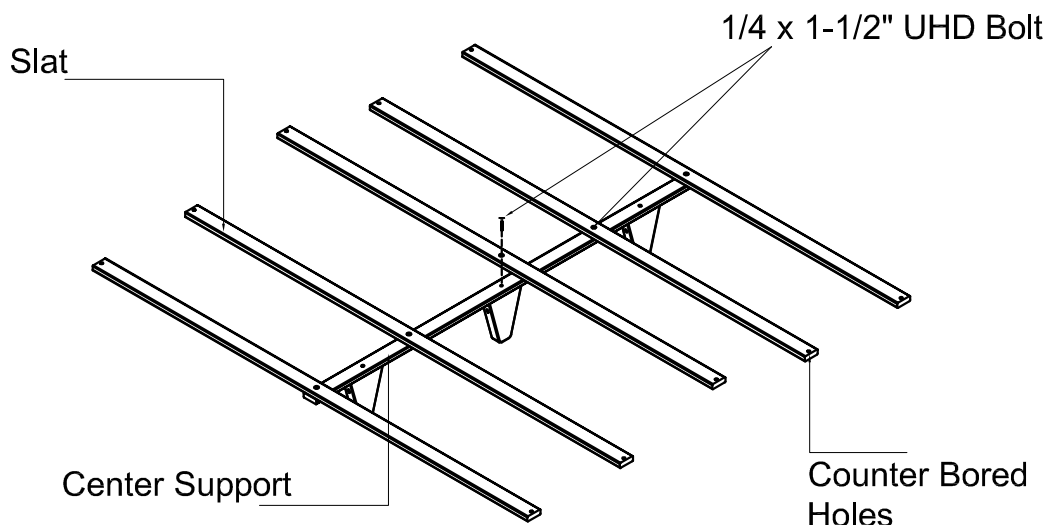
# CENTURY FURNITURE

## ASSEMBLY INSTRUCTIONS FOR 36-175/176 PLATFORM BED

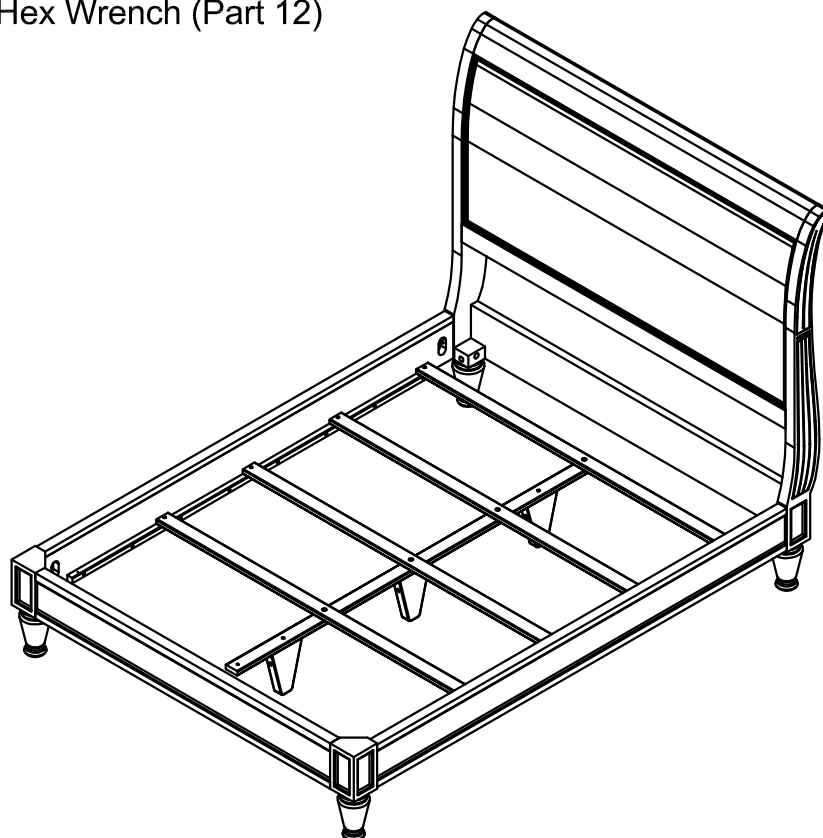
Please read all instructions carefully before starting the assembly process. Some parts are large and heavy and require **AT LEAST TWO PEOPLE** to assemble, to help prevent possible injury and or damage to the piece.

5. Preassemble the Slats (Part 5) and the Center Support (Part 4) using the five (5) 1/4 x 1-1/2" UHD Bolt (Part 10). Finger tighten the UHD Bolt (Part 10) at this point.

**Note : The counter bored holes on the slats must be facing up**



6. Attach the assembled slats to the side rail as shown below, using the ten (10) 1-1/4" Washer Head Screw (Part 11). Tighten securely using a Phillips head screwdriver. **NOTE: The cleats on the side rails are prebored for the screws.** Now securely tighten the five (5) UHD Bolt (Part 10) using the 5/32" Hex Wrench (Part 12)





ERROR: syntaxerror  
OFFENDING COMMAND: --nostringval--

STACK:

/Title  
( )  
/Subject  
(D:20110618140105+07'00')  
/ModDate  
( )  
/Keywords  
(PDFCreator Version 0.9.5)  
/Creator  
(D:20110618140105+07'00')  
/CreationDate  
(pe-11)  
/Author  
-mark-