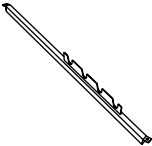
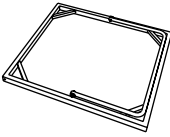
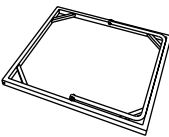
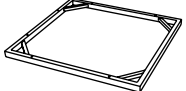
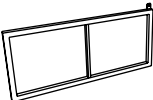
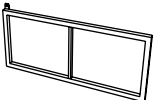
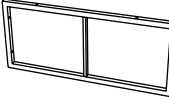
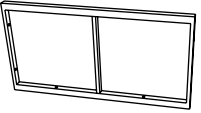

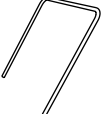
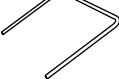
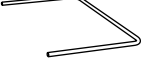
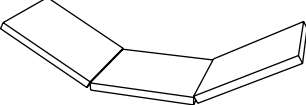
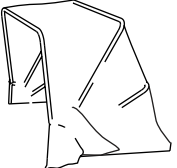



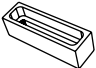


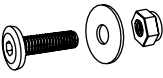
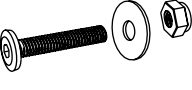




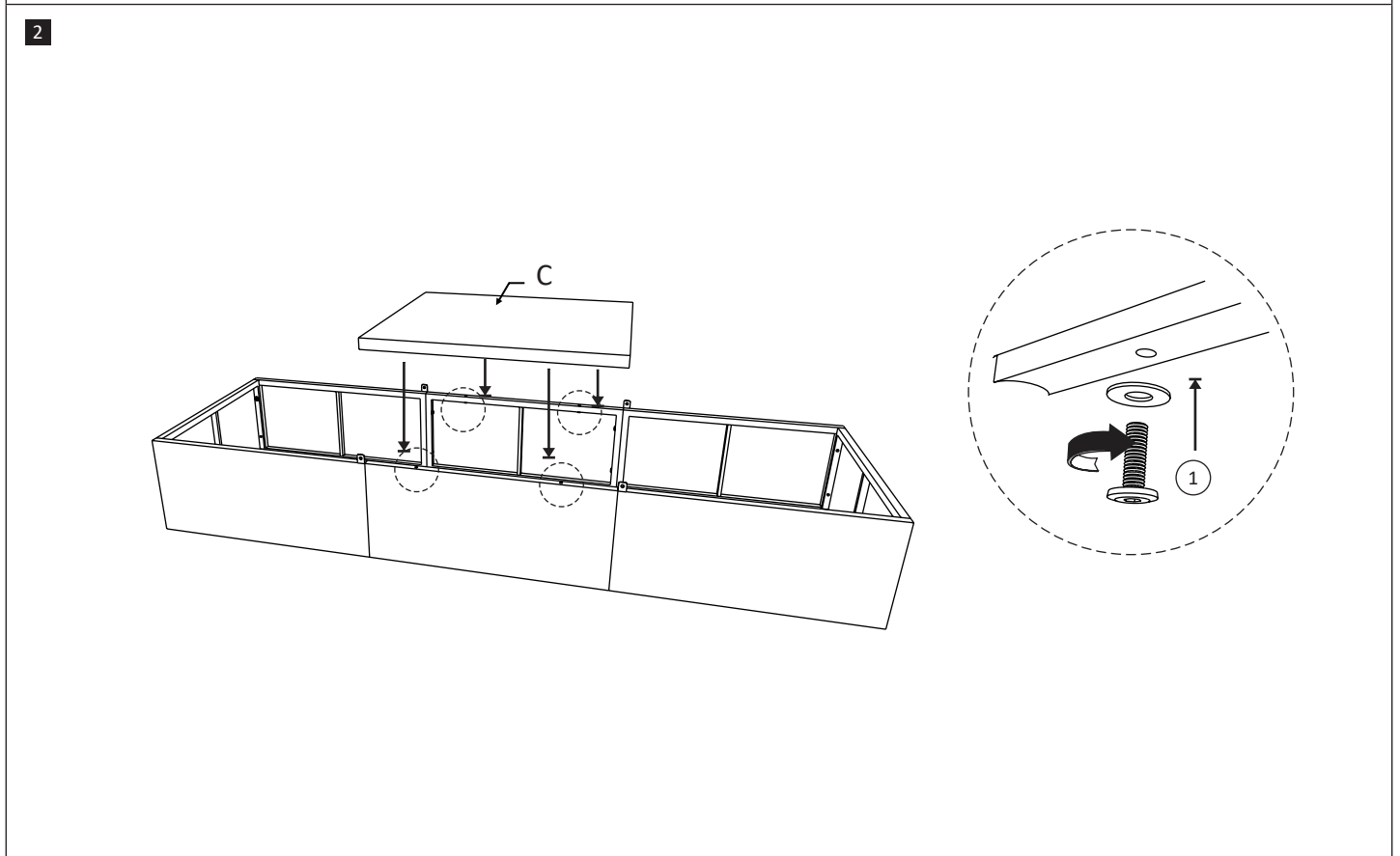
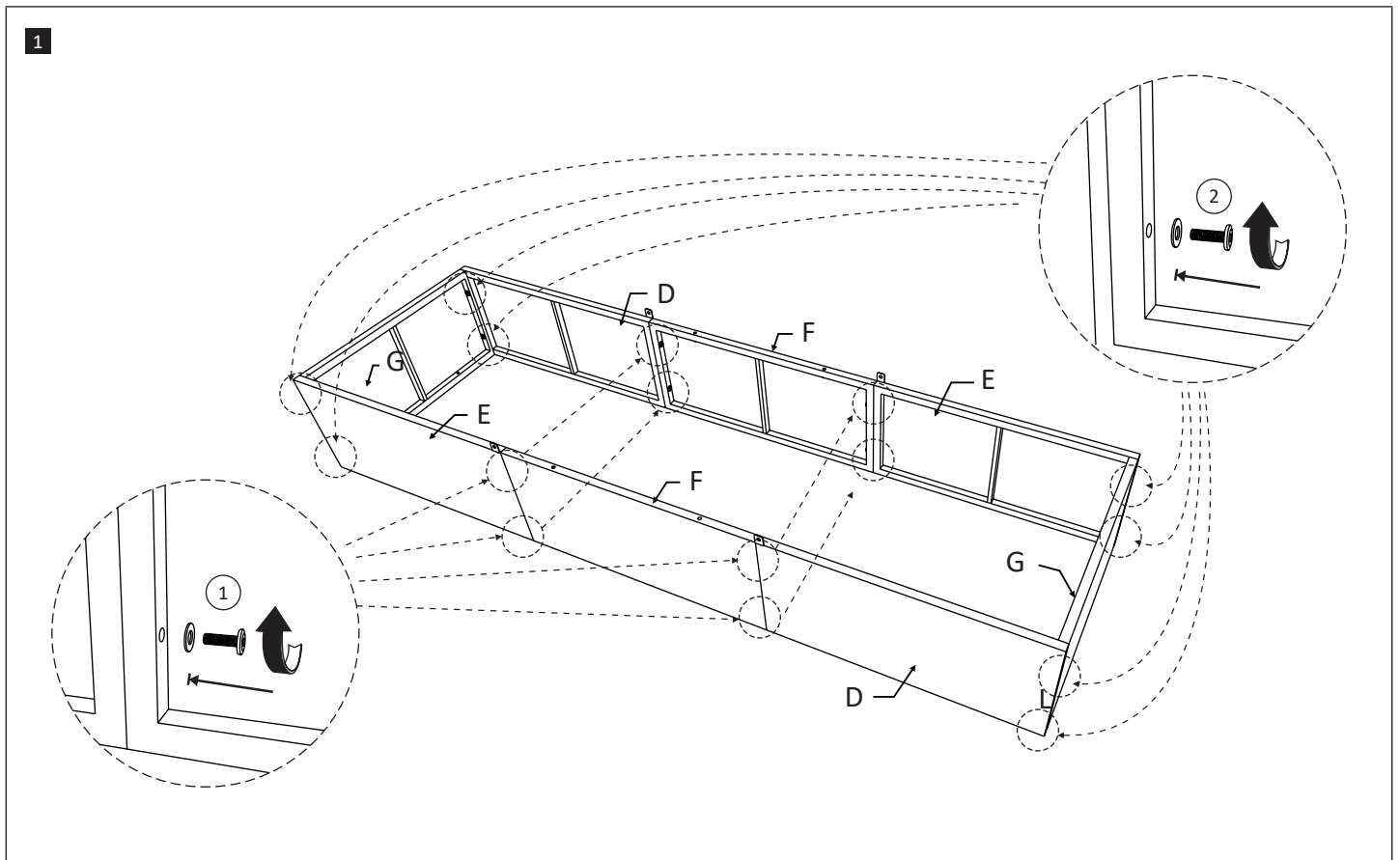
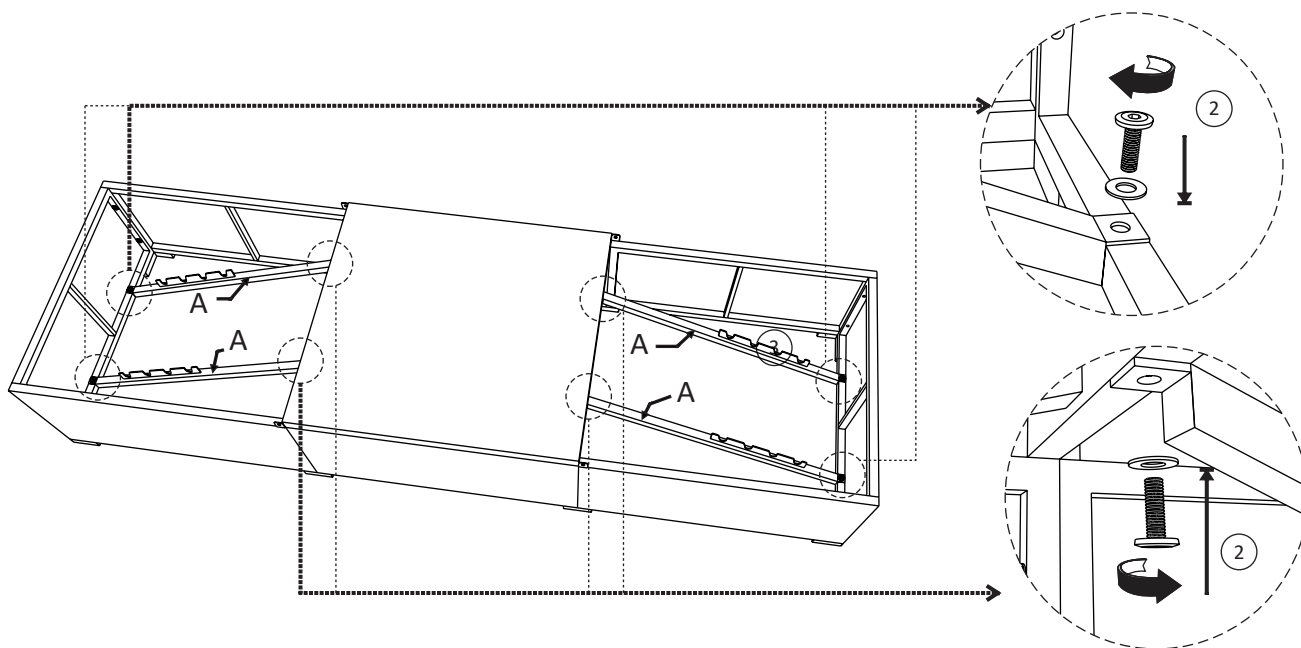


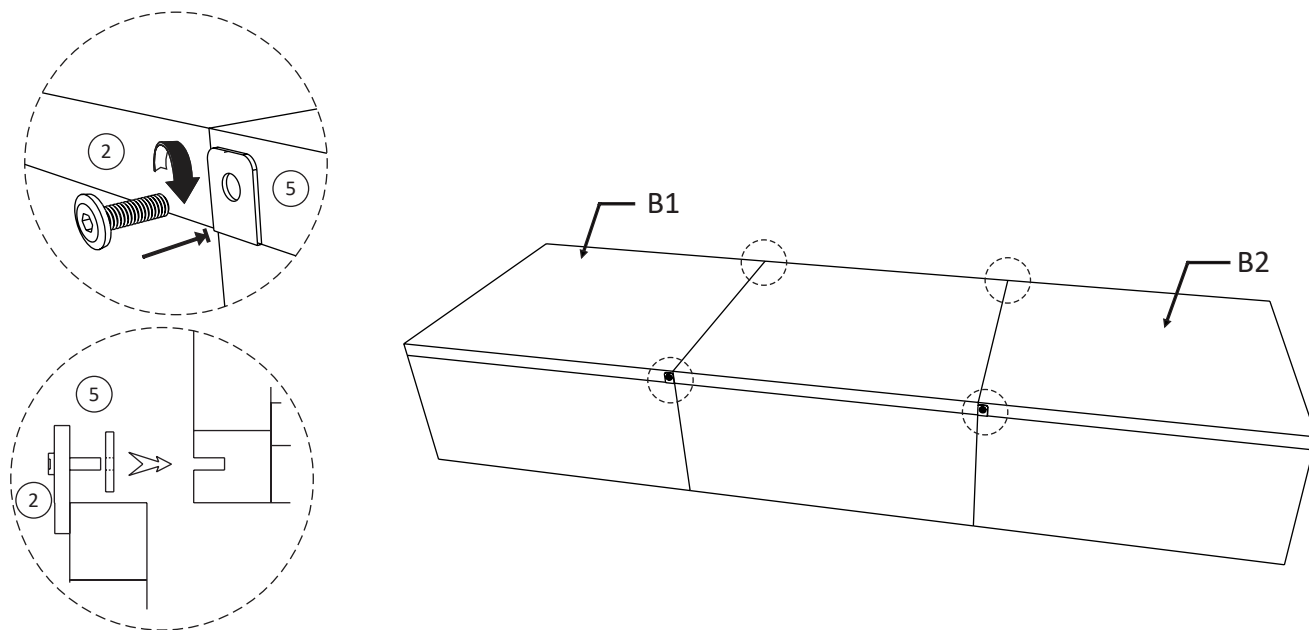
Ax4 		B1x1 		B2x1 		Cx1 	
Dx2 		Ex2 		Fx2 		Gx2 	
H1x1 	H2x1 	H3x1 	H4x1 	Ix1 	Jx1 		
K1x1 	K2x1 	Lx2 	Mx12 		① x16  M6x $\frac{35}{1.4}$		
② x20  M6x $\frac{25}{1.0}$		③ x6  M6x $\frac{25}{1.0}$		④ x2  M6x $\frac{35}{1.4}$		⑤ x12 	
⑥ x1 		⑦ x2 		⑧ x24  M6x $\frac{25}{1.0}$			



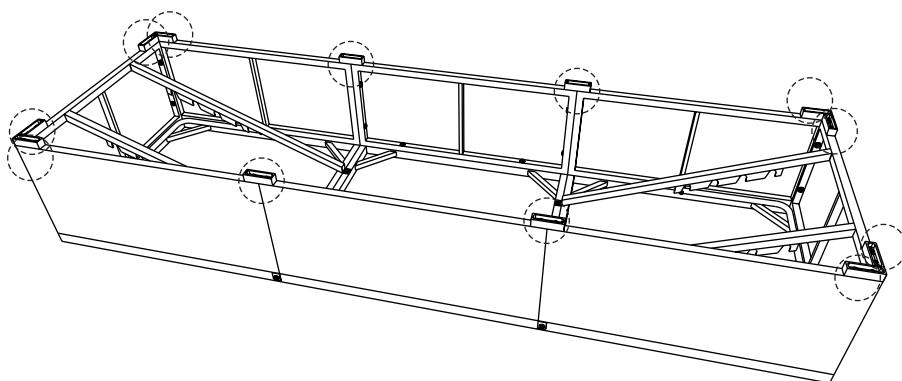
3



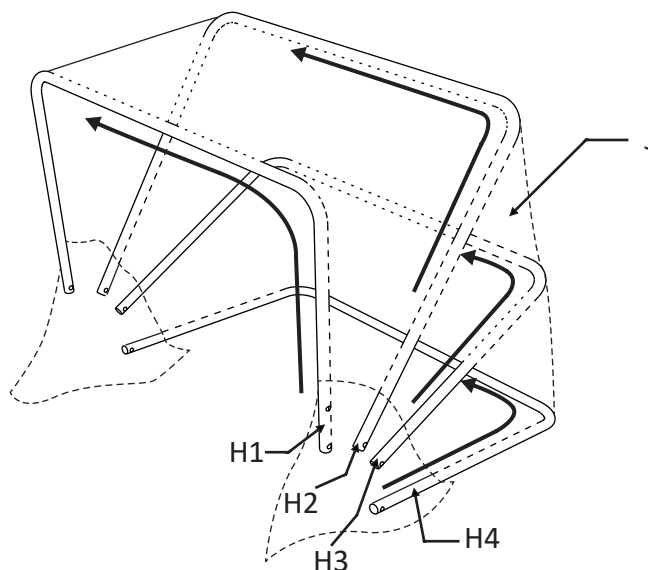
4



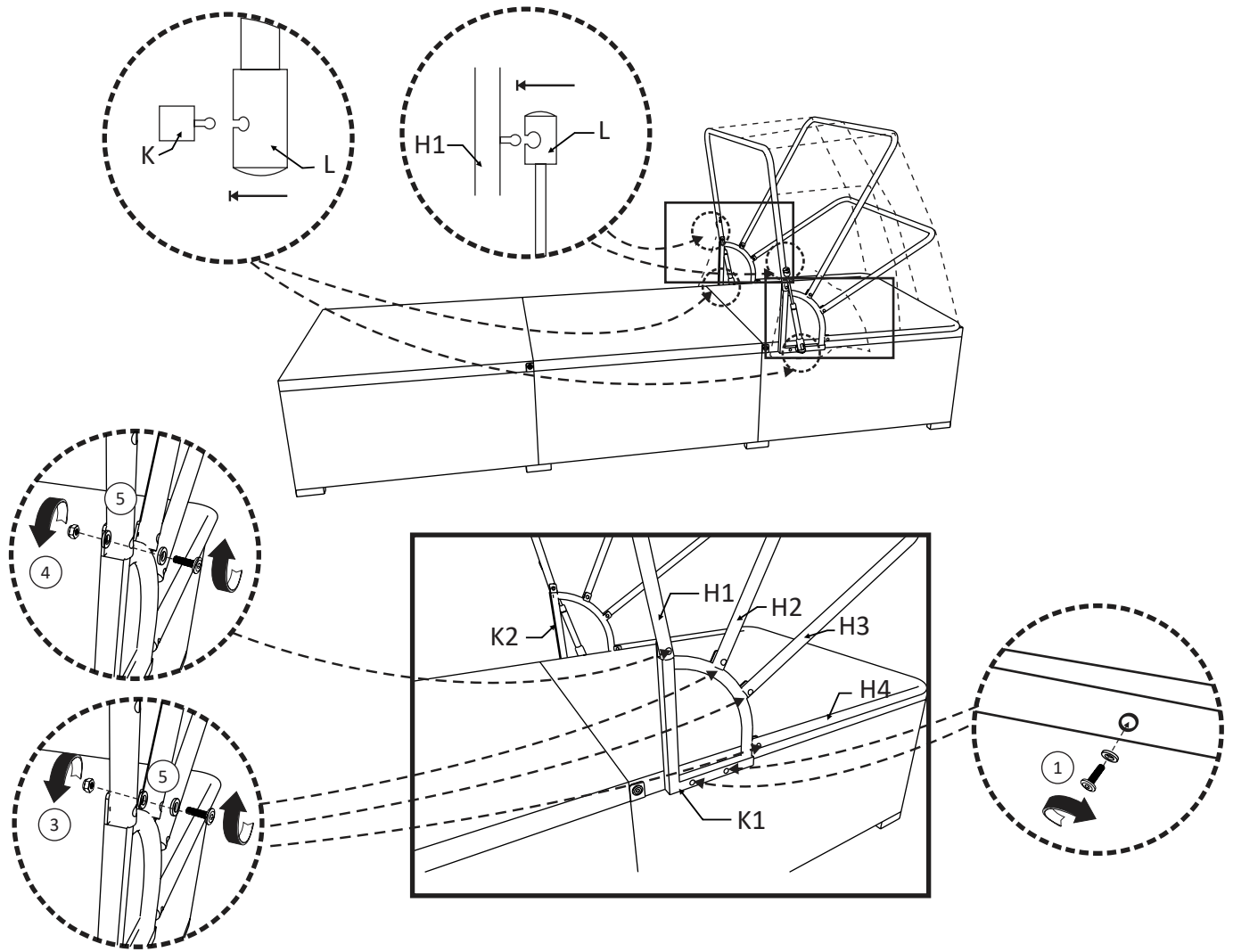
5



6



7



8

