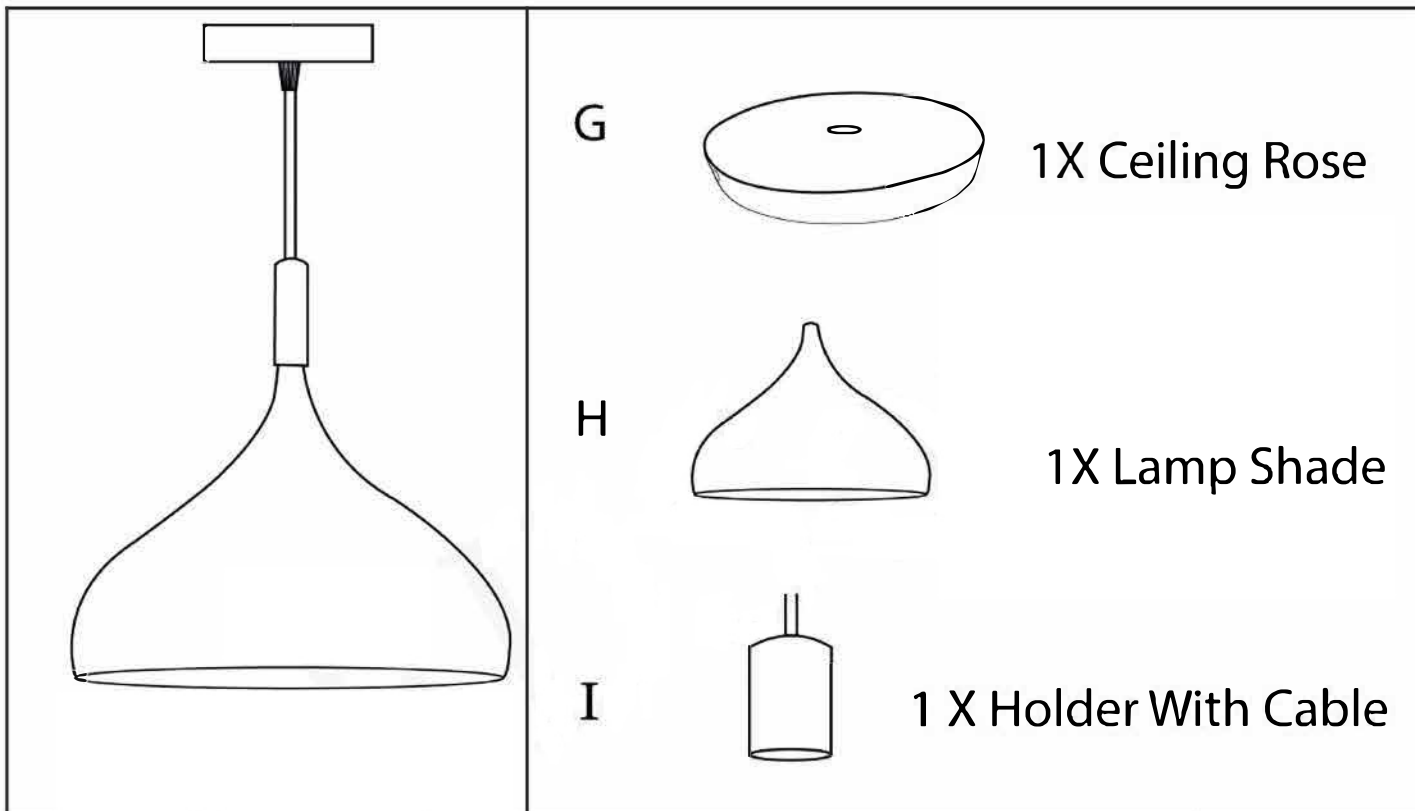







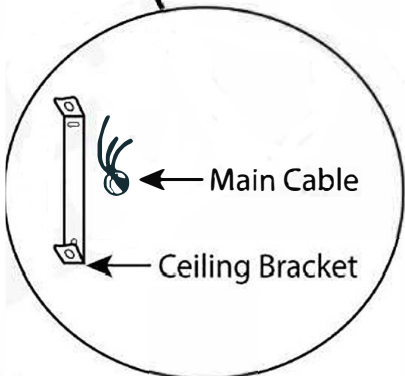
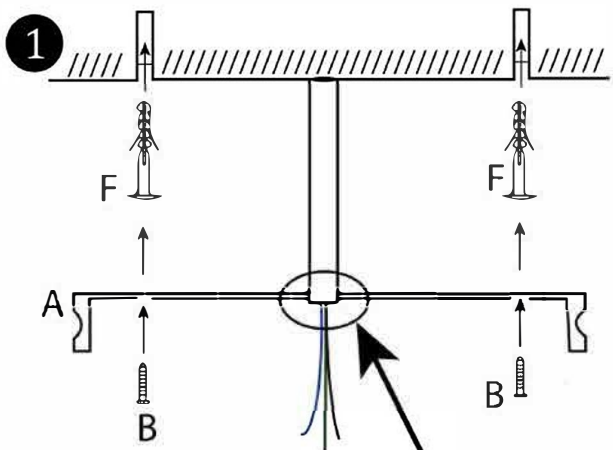


Vintage Metal Pendant Lamp Assembling Instruction



A		1
B		2
C1		2
C2		2
D		2
E		1
F		2

Vintage Metal Pendant Lamp Assembling Instruction



The cable should come next to the bracket

