

INSTALLATION

WARNINGS AND CAUTIONS

Released Date: 2025-08

READ AND SAVE THESE INSTRUCTIONS

Please read and understand this entire manual before attempting to assemble, install or operate the product.

WARNING

- **RISK OF ELECTRIC SHOCK** - Before beginning installation, turn off electricity at the circuit breaker box or the main fuse box.
- **RISK OF FIRE** - Use bulbs specified by the markings and/or labels on the fixture.
- **RISK OF PERSONAL INJURY** - DO NOT bend the blades when installing the fan, or cleaning the fan. Do not insert foreign objects in between rotating fan blades.
- **RISK OF FIRE, ELECTRIC SHOCK, OR PERSONAL INJURY** - mount to outlet box marked and use mounting screws provided with the outlet box.
- All set screws must be checked, and re-tightened where necessary, before installation.
- After making the wire connections, the wires should be spread apart with the grounded conductor and the equipment-grounding conductor on one side of the outlet box and the ungrounded conductor on the other side of the outlet box.

CAUTION

- For your safety, read instructions completely before beginning installation.
- If in doubt about electrical installation, consult a licensed electrician.
- Disconnect fixture from the power source before replacing bulbs or cleaning. Make sure the bulbs are given sufficient time to cool before removing.

TOOLS REQUIRED



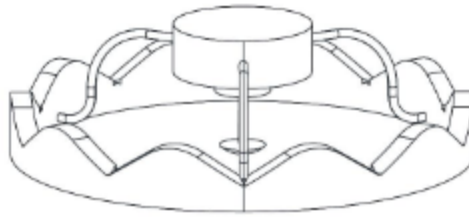
CARE AND MAINTENANCE

- Wipe clean using soft, dry cloth or static duster. Always avoid using harsh chemicals and abrasives to clean fixture as they may damage the finish.

PACKAGE CONTENTS



A 4.92" Rod Assembly
x 1



F Fixture Body
x 1



C Ceiling Canopy Cap
x 1



B Ceiling Canopy
x 1

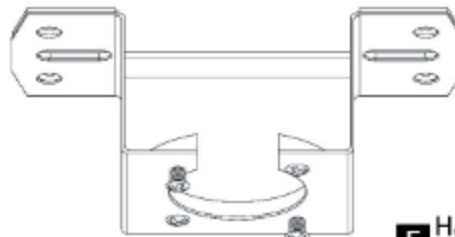


D Motor Cap
x 1

H 7.87" Rod Assembly
x 1



J Fan blades and nuts
x 1



E Hanger Frame
x 1

PACKAGE CONTENTS (PARTS BAG 1)



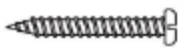
NOTE: Hardware not shown to actual size.



AA Wire Connector
x 4



DD Anchor Bolt
x 2



BB Screw
x 4



EE Mechanical Screw
x 2



CC Wall Anchor
x 4

PACKAGE CONTENTS (PARTS BAG 2)



KK Mechanical Screw
x 4

PACKAGE CONTENTS (PARTS BAG 3)



MM Remote Control
x 1



OO Wall Bracket
x 1



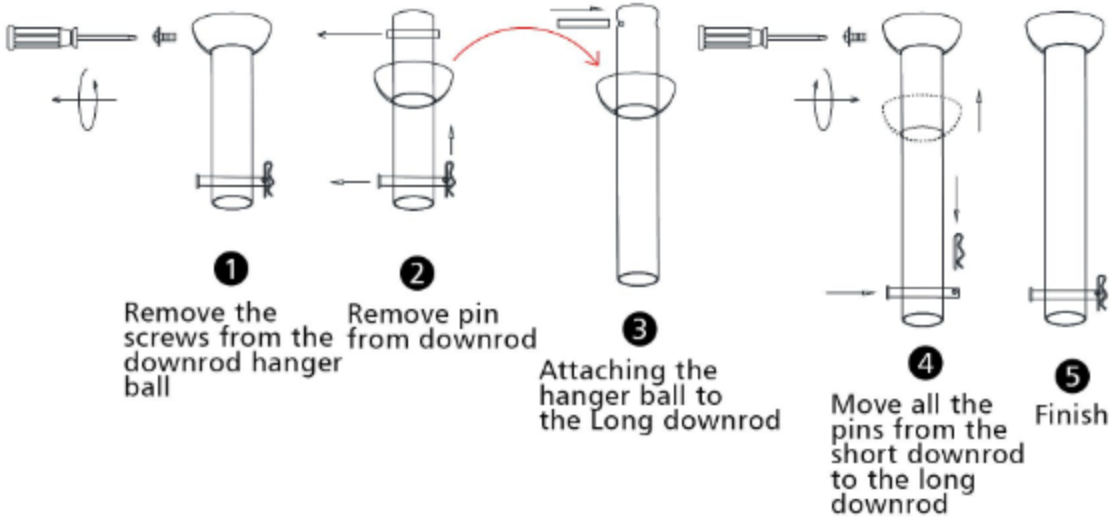
PP Screw
x 2



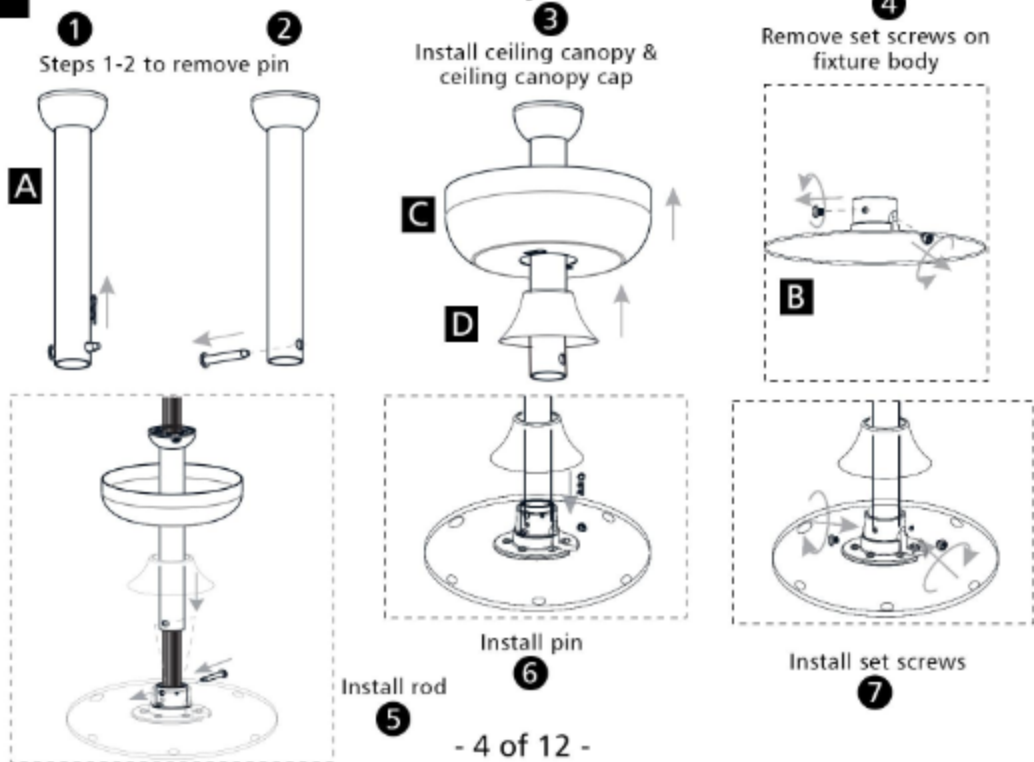
NN AAA Batteries
x 2

INSTALLATION

1 Choose Suitable Downrod

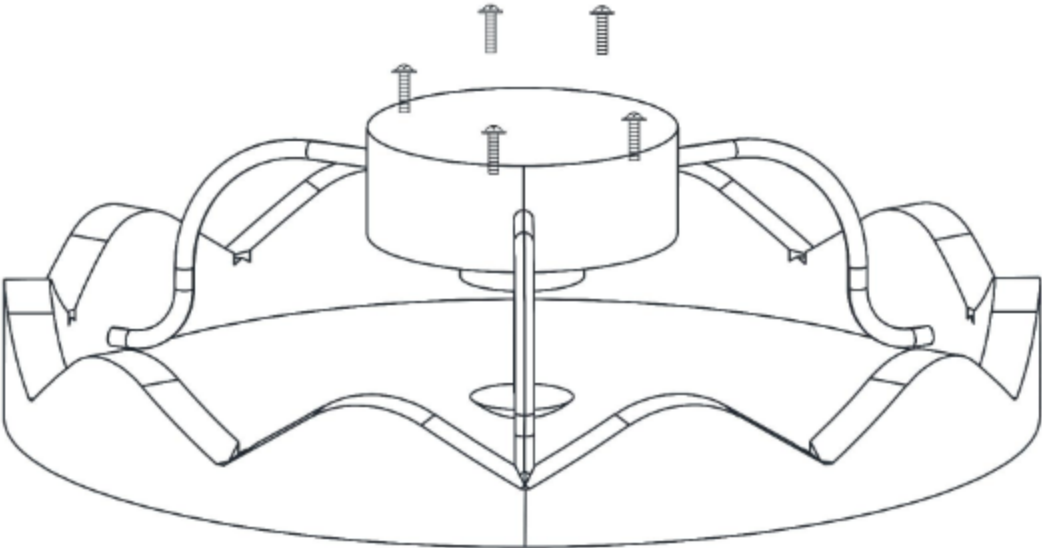


2 Install Downrod to Fixture Body



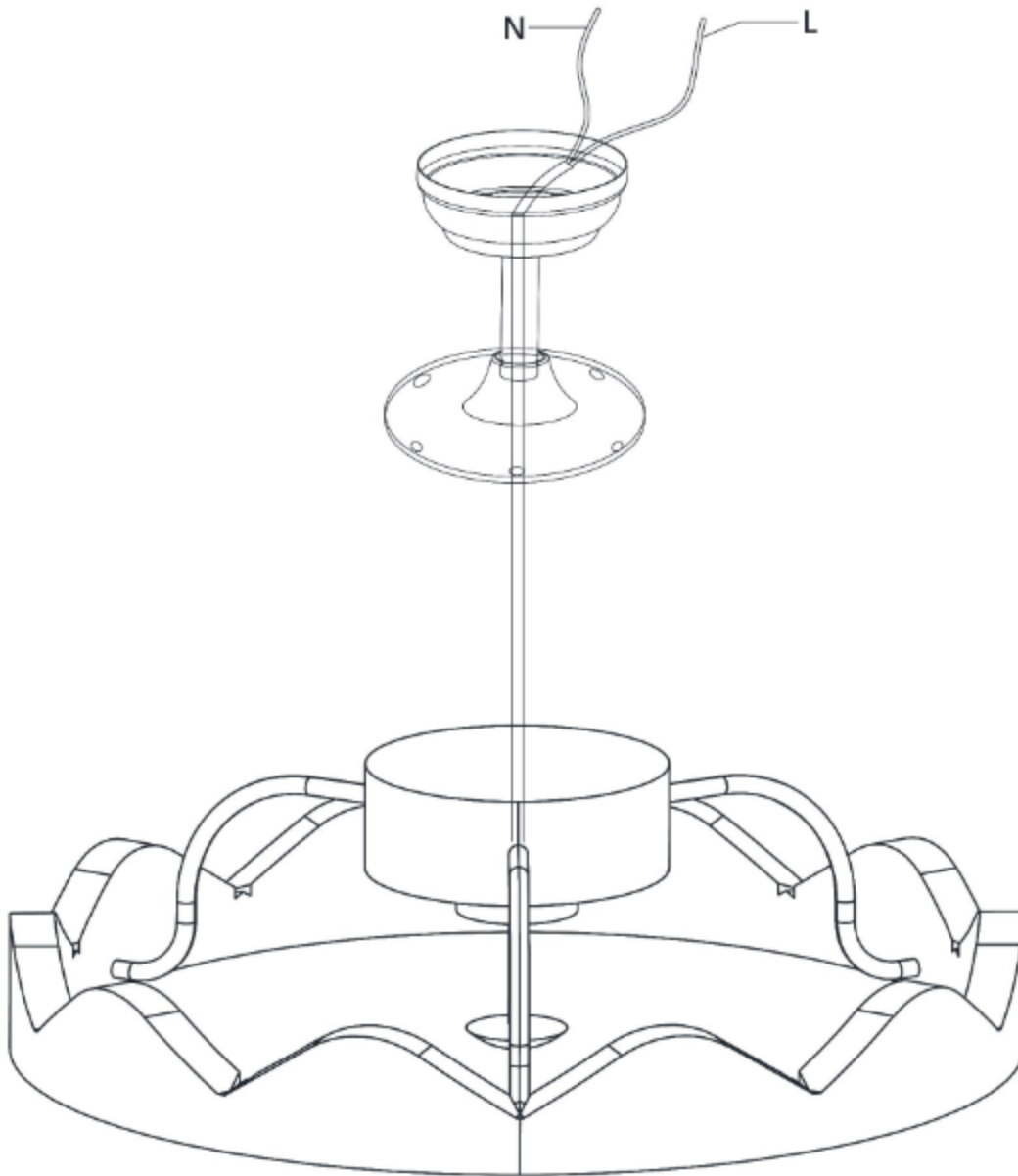
INSTALLATION

3 Remove the set screws on the fixture body



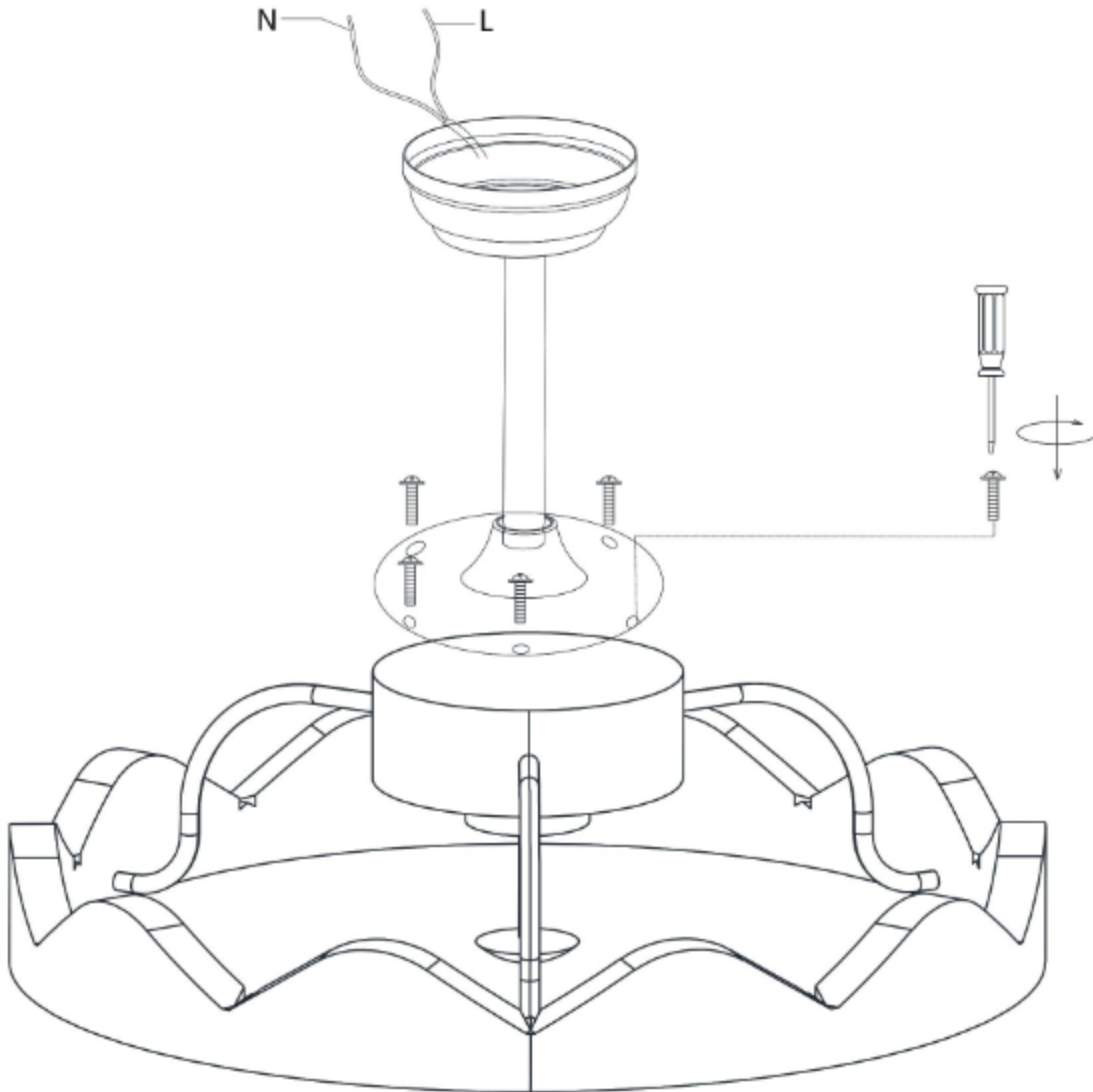
INSTALLATION

4 Thread the wires from the fixture body



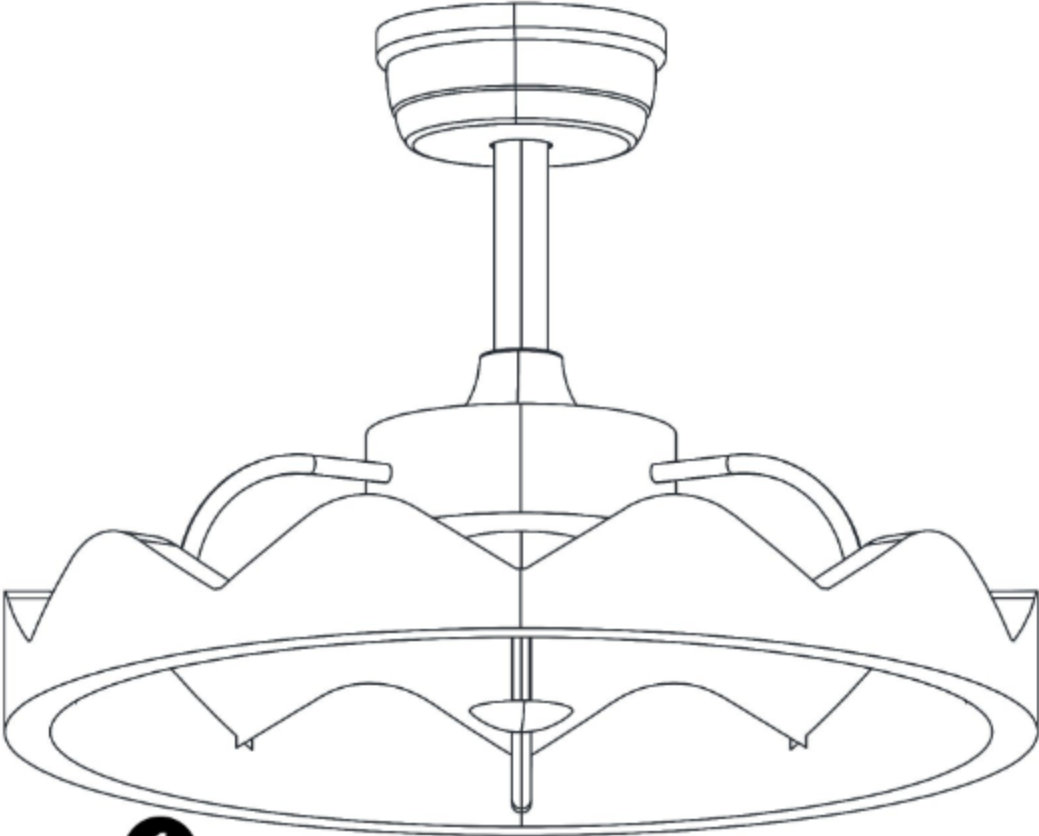
INSTALLATION

5 Install the screws into the motor cap



INSTALLATION

6 Install Fan Blade



1



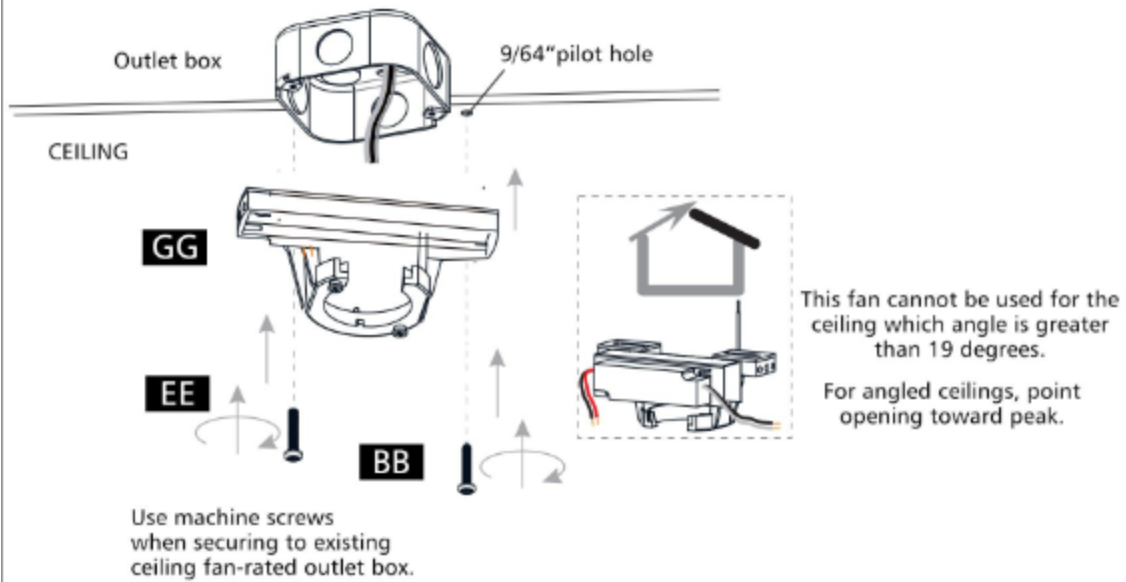
2



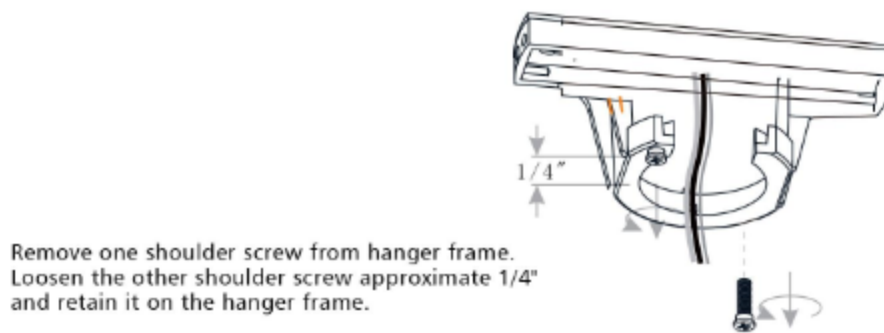
3

INSTALLATION

7 Install Hanger Frame

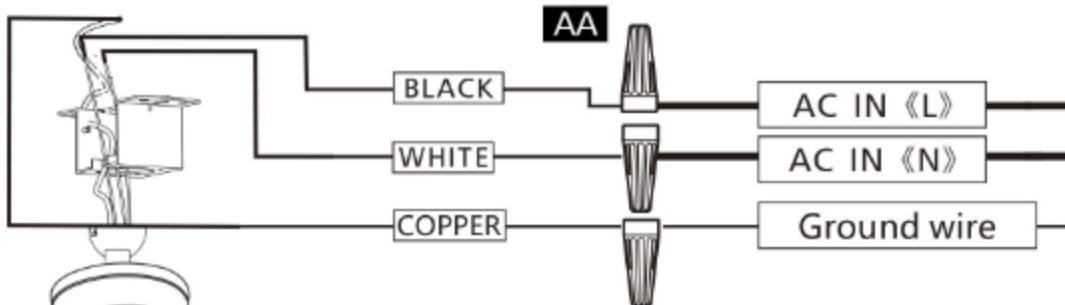


8 Loosen Shoulder Screws



INSTALLATION

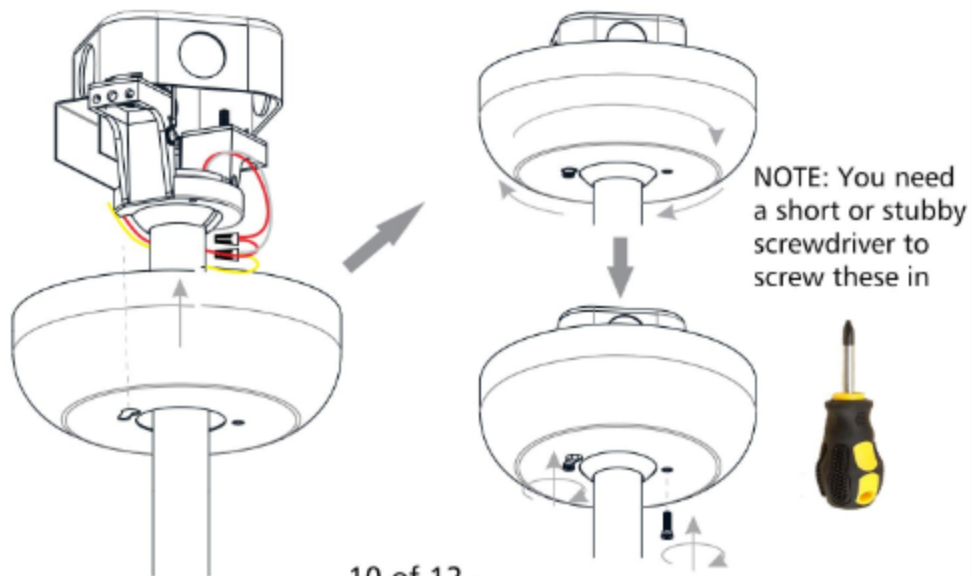
9 Wiring



1. Connect the black wire to the live wire
2. Connect the white wire to the neutral wire
3. Connecting ground

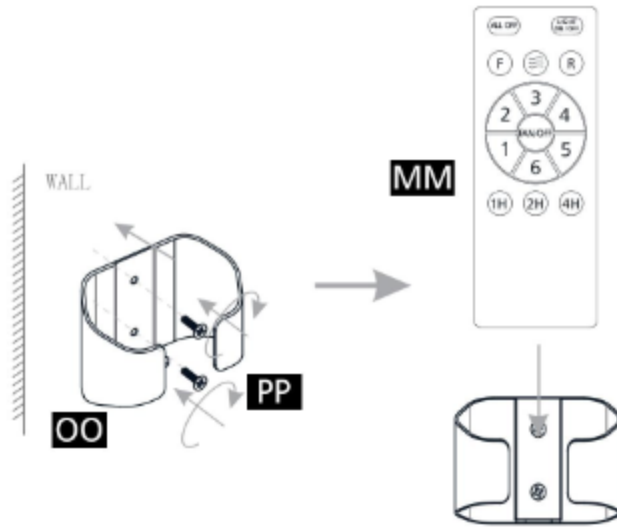
10 Install Ceiling Canopy

Carefully tuck all wires inside of the ceiling canopy during installation.



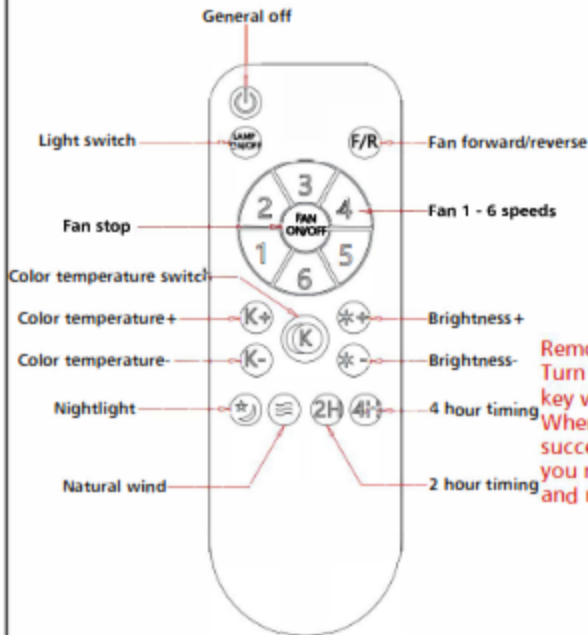
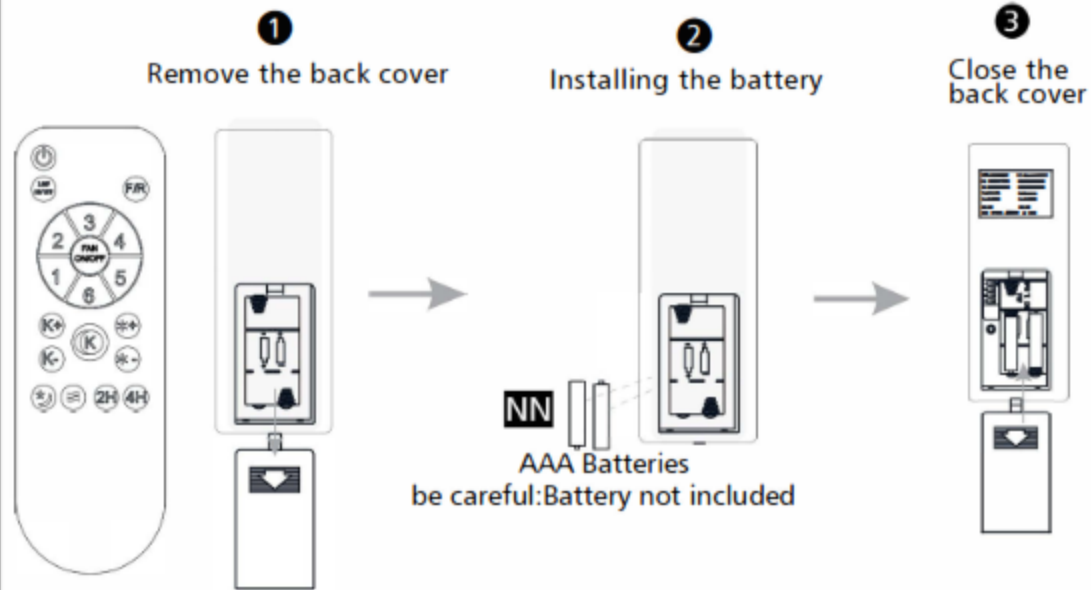
INSTALLATION

11 Install Wall Bracket



INSTALLATION

12 Remote Control Instruction



Remote control matching code:
Turn on the power and Press and hold the light pairing key within 5 seconds of the light on (General off) , When you hear a beep and a light flashes, the code match is successful. If you need to match the code a second time, you need to wait 30 seconds before turning on the power and repeat the above operation.

Your installation is now complete. Save this sheet for future