



24in Outdoor Stainless Steel Working Table Cart -Three Levels



Model: MC420

SKU: 40004

nuukusa.com



Table of Contents

It is the consumer's responsibility to see that the unit is properly assembled, installed, and maintained. Failure to follow the instructions in the manual could result in bodily injury and/ or property damage

Table of Contents	- page 2
Safety Information	- page 3
Customer Support Care and Maintenance	- page 4
Exploded View	- page 5
Part List & Hardware	- page 6
Assembly Instructions	- page 7 – 11
Warranty	- page 12



Safety Information

IMPORTANT: ALL INSTRUCTIONS AND SAFEGUARDS IN THIS SECTION MUST BE FOLLOWED TO PREVENT DAMAGE AND/OR INJURY.

- Not for permanent installation.
- For outdoor use only
- Use caution with all electric appliances, tools, extension cords and lights on and around table.
- Surface can become hot in direct sun or high temperatures.
- Maximum top weight load of 100 LBS
- Maximum shelf weight load of 30 LBS
- Use only on level surfaces.
- Before use ensure wheels are height adjusted so that the table does not rock when in use.
- Lock wheels when in use.
- Do not allow children to climb the product.

CALIFORNIA PROPOSITION 65 WARNING

WARNING: This product can expose you to lead, which is known to the State of California to cause cancer and birth defects or other reproductive harm. For more information go to www.P65warnings.ca.gov



Customer Support

**HAVE PROBLEM / QUESTION/ CONCERN
NO WORRY!**

Our Customer Service Staff is Here To Help You!

For questions regarding your NUUK products, installation, replacement parts or your warranty, please contact

NUUK customer service team.

Phone: 1-800-719-8199
Monday through Friday
9:00 am to 5:00 pm, Eastern Time Zone

Email: service@nuukusa.com

Care and Maintenance

CLEANING

Painted and Plastic Surface

Wash with mild detergent or non-abrasive cleaner and warm Water.

Stainless Steel Surface

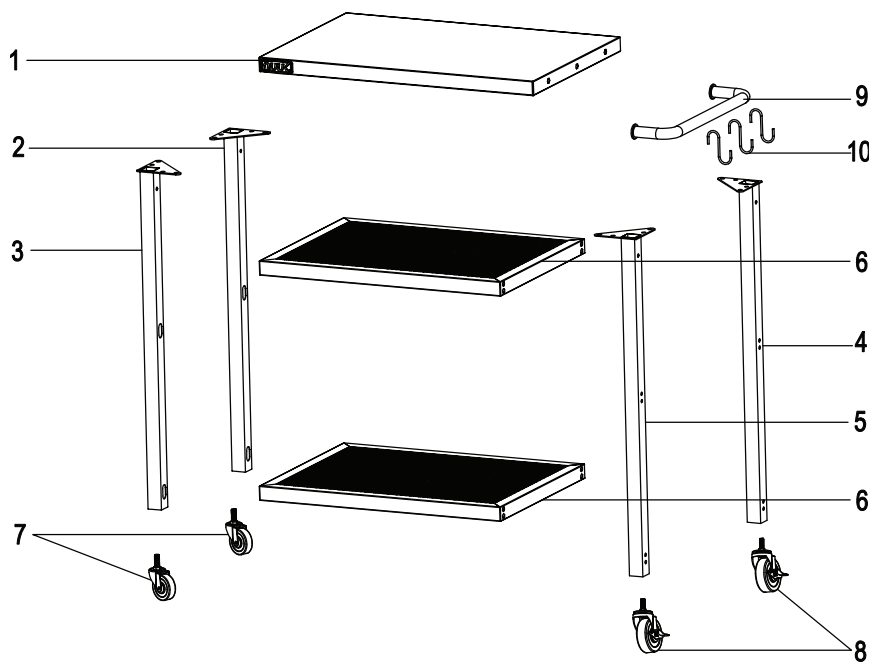
Wash with mild detergent and warm soapy water or use stainless steel cleaner. Wipe dry with a soft cloth after each use.

Wash only in the direction of the stainless brushed finish to avoid damage.

Stainless steel can rust under certain conditions. This can be caused by acidic marinades, chlorine, saltwater, exposure to coastal climates, other natural elements, or improper cleaning tools such as wire or steel wool.



Exploded View






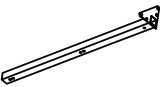
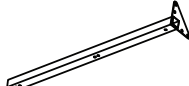
If you find any missing parts, damage parts, please contact NUUK




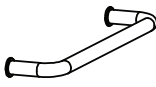

Phone: 1-800-719-8199
Monday through Friday
09:00 am to 05:00 pm, Eastern Time Zone




Email: service@nuukusa.com





Part and Hardware List

PART		DESCRIPTION	QTY
1		Counter Top	1
2		Left Back Leg (LB)	1
3		Left Front Leg (LF)	1
4		Right Back Leg (RB)	1
5		Right Front Leg (RF)	1

PART		DESCRIPTION	QTY
6		Mesh Shelf	2
7		Caster	2
8		Caster Wheel	2
9		Side Handle	1
10		"S" Hook	3

A		Bolt M6X15	16
C		Bolt M6X45	18
		Allen Wrench	1

B		Flat Washer	34
D		Step Screw	6

PREPARATION

Please be careful when handling components. Always wear gloves during assembly and set up. Read and follow all safety statements, warning, assembly instructions and use care instructions before attempting to assemble and use. Before beginning assembly of product, make sure all parts are present. Compare parts with package contents listing and hardware contents list. If any part is missing or damaged, DO NOT attempt to assemble the product.

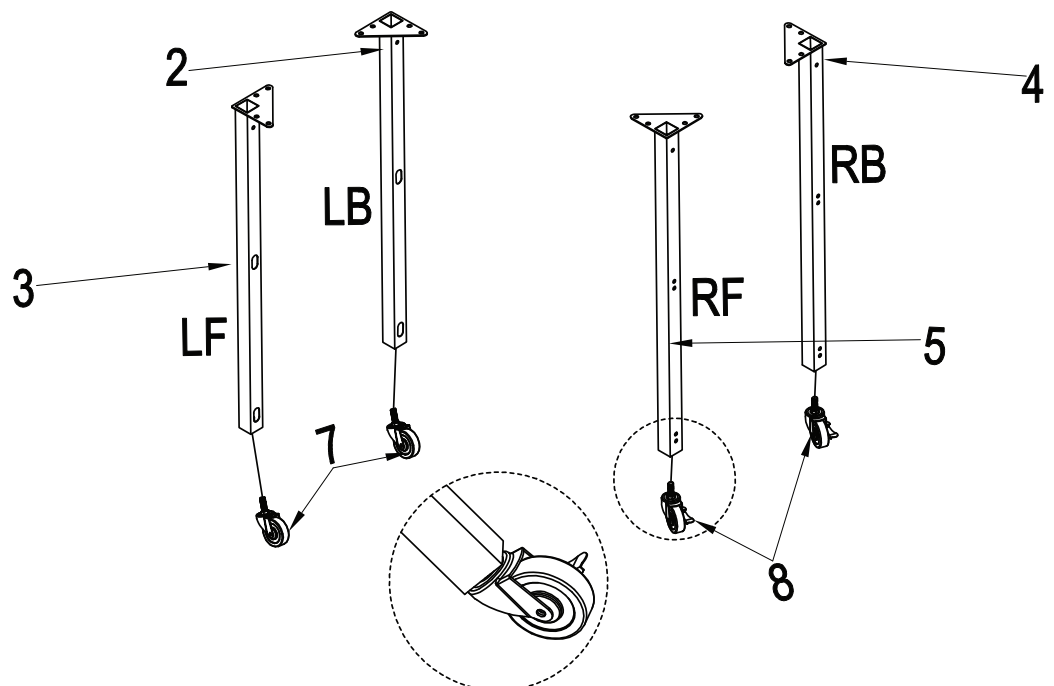
ASSEMBLY TIP

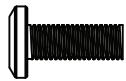
To avoid scratching counter top and to protect floor/patio surface, reuse cardboard packaging and lay parts on top while assembling

STEP 1

Install locking caster wheel (8) to right back leg (4) and right front leg (5).

Install unlocking caster (7) to left back leg (2) and left front leg (3)





AX8



BX8

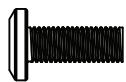
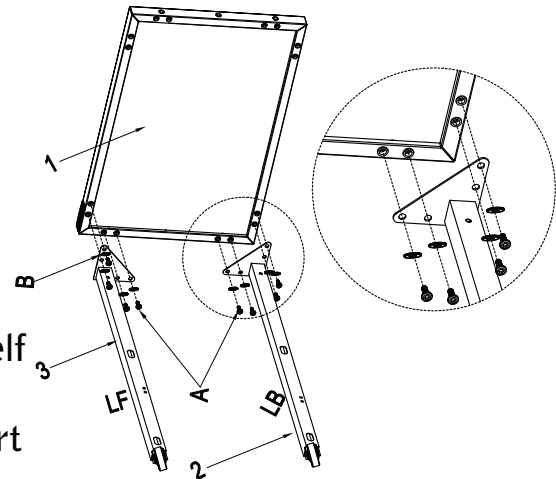
STEP 2

Install left front leg (LF) (3) and left back leg (LB) (2) to left side of counter top (1), use Eight (8) M6X15-A & Eight (8) Flat Washer-B.

Logo located at left side of counter top

NOTE:

It is important to not fully tighten the screws during initial assembly of parts. Wait until the 2nd mesh shelf is installed before fully tighten all screws on the cart



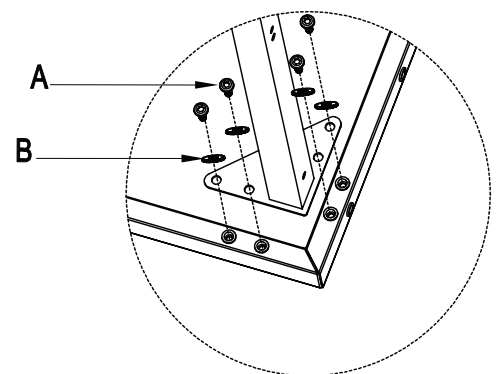
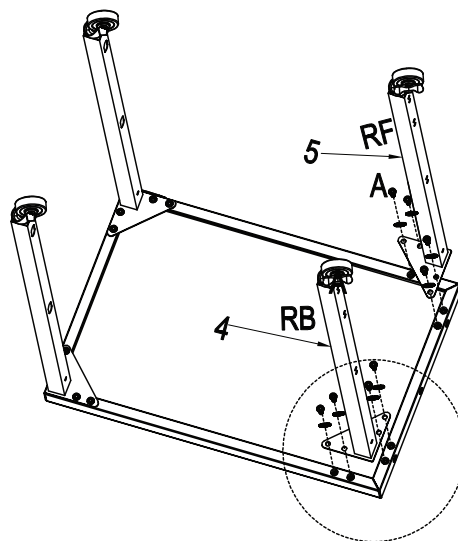
AX8

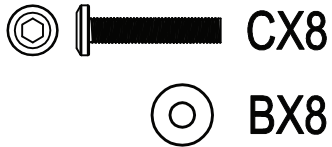


BX8

STEP 3

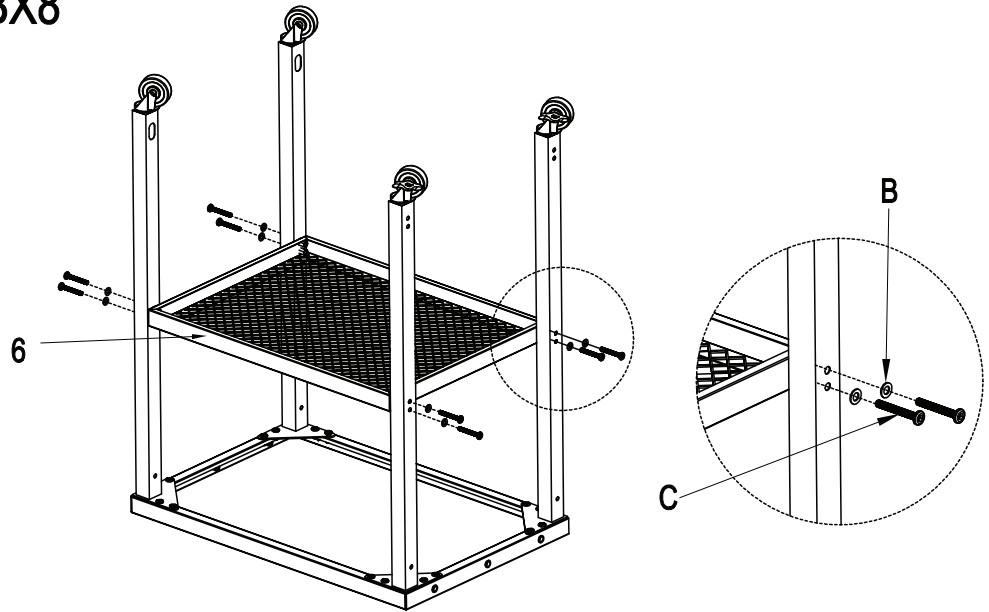
Install right front leg (RF) (5) and right back leg (RB) (4) to right side of counter top (1), use Eight (8) M6X15-A & Eight (8) Flat Washer-B.





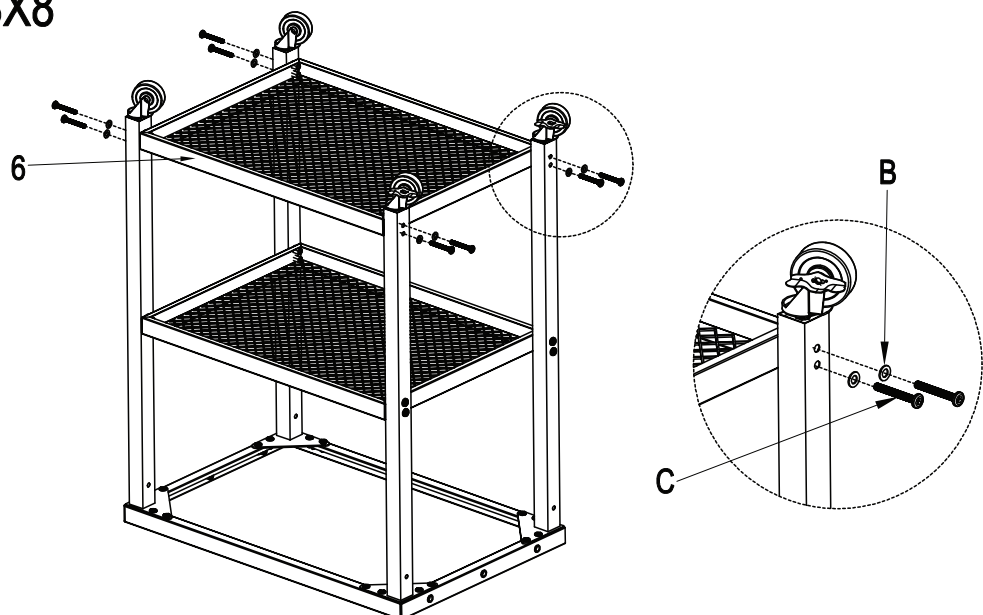
STEP 4

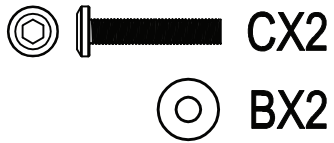
Install mesh shelf (6) to mid of four legs, use Eight (8) M6X45-C & Eight (8) Flat Washer-B.



STEP 5

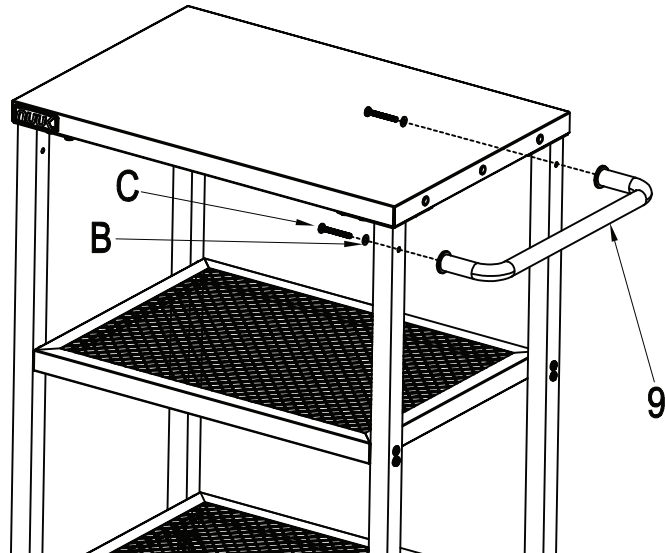
Install mesh shelf (6) to end of four legs, use Eight (8) M6X45-C & Eight (8) Flat Washer-B.





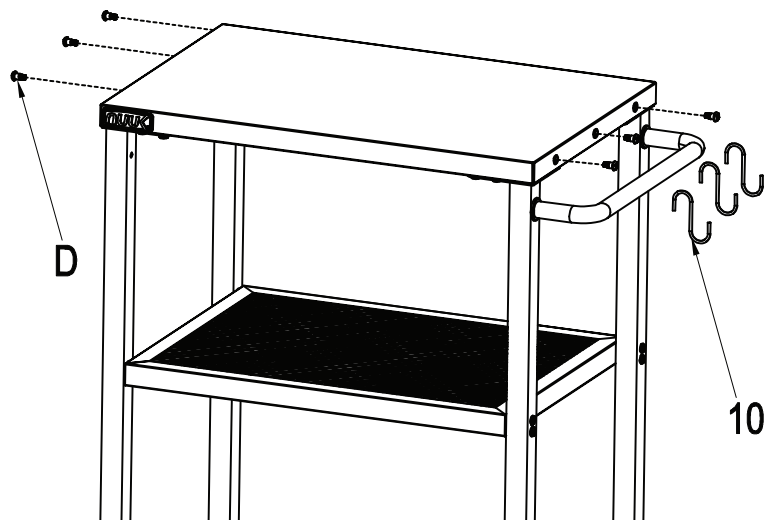
STEP 6

Install side handle (9) to right side leg, use Two (2) M6X45-C & Two (2) Flat Washer-B.

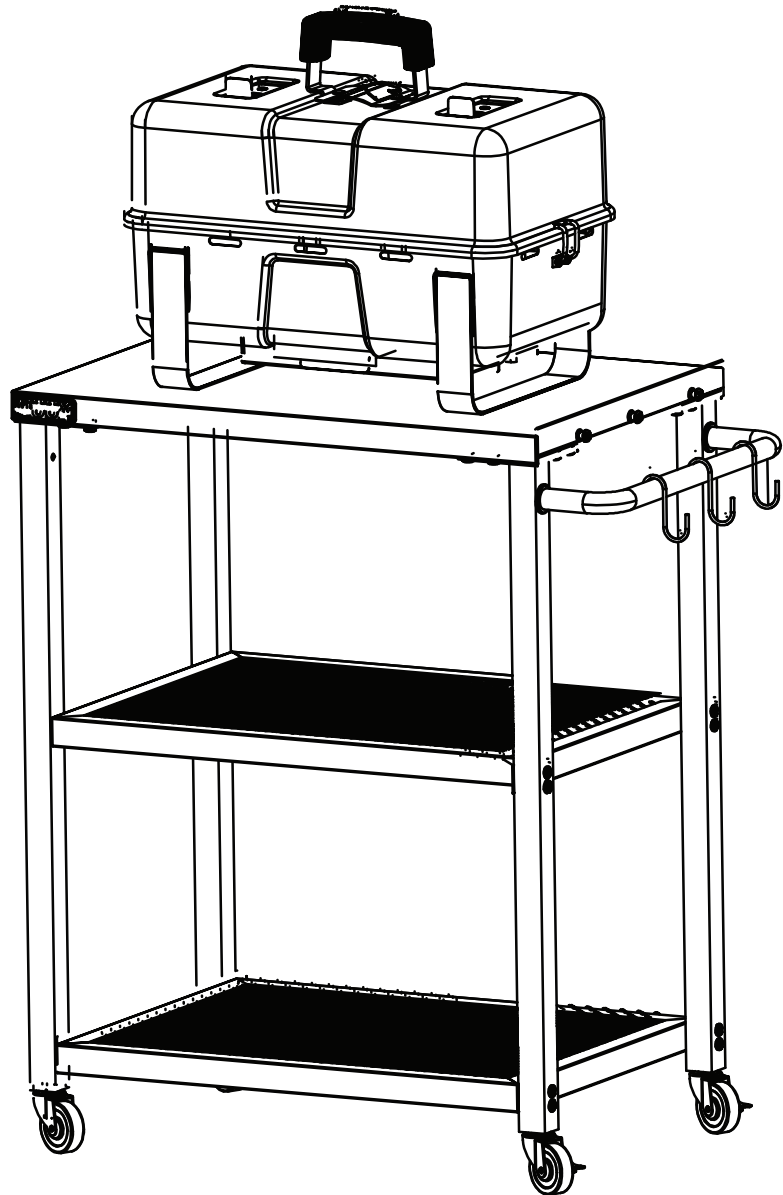


STEP 7

Install the three step screws (D) to each side of counter top.
Put the "S" hook (10) on side handle.



Finished Products



**Once the finish cart moved to the desired location,
adjust the caster wheel to fit the uneven floor**



Warranty

NUUK LLC (NUUK USA) 1-YEAR WARRANTY

PROOF OF PURCHASE is required to access this warranty program, which is in effect from the date of purchase.

NUUK USA warranty covers one year from the date of purchase. NUUK will assist you to get the replacement parts, replace the unit. All warranties are limited to the original purchase only. This warranty does not cover any liability for used good purchase. The purchaser must follow the usage instruction.

Warranty Provisions

- This warranty is non-transferable and does not cover failure due to misuse, improper installation or maintenance.
- This warranty is for replacement of defective parts only. We are not responsible for incidental or consequential damages or labor costs.
- This warranty does not cover damage caused by abrasive or chemical cleaners, or any damage to other components used in the installation or operation of the table.
- Paint is not warranted and may require touch-up.

For replacement parts, and assistance need, please contact us:

Phone: 1-800-719-8199
Monday through Friday
09:00 am to 05:00 pm, Eastern Time Zone

Email: service@nuukusa.com