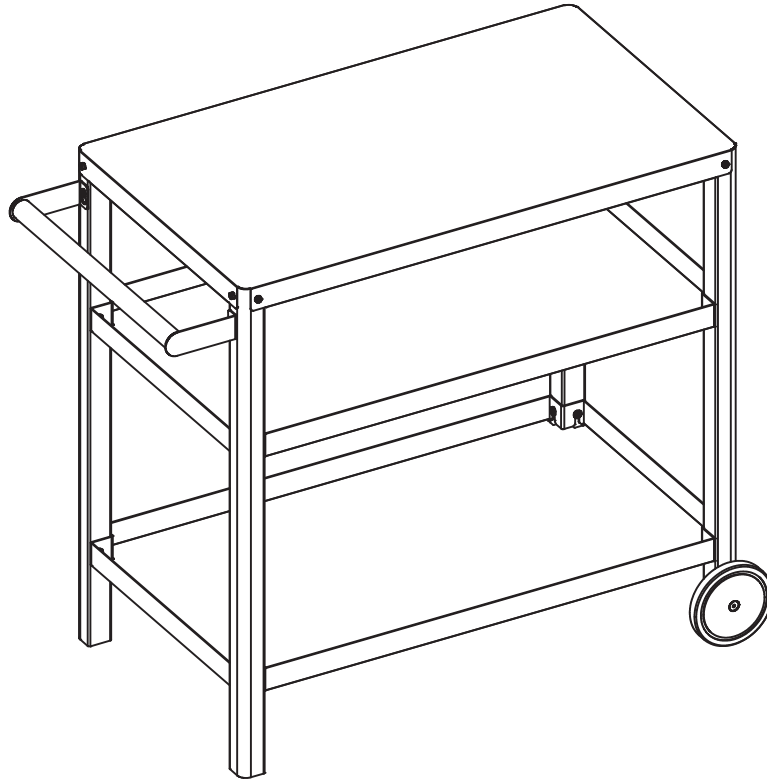


3 Tiers Movable Kitchen Cart



Assembly Consideration

Do not overtighten screws(Screw in all screws before tighten them)

Follow Assembly Instructions Step by Step

Do not discard original packaging if your received items damaged or with missing parts

Count all Hardware parts before starting assembly

Assemble items in a clear area and away from clutter to avoid misplacing assembly items






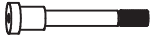






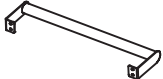

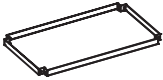

Safety Precautions

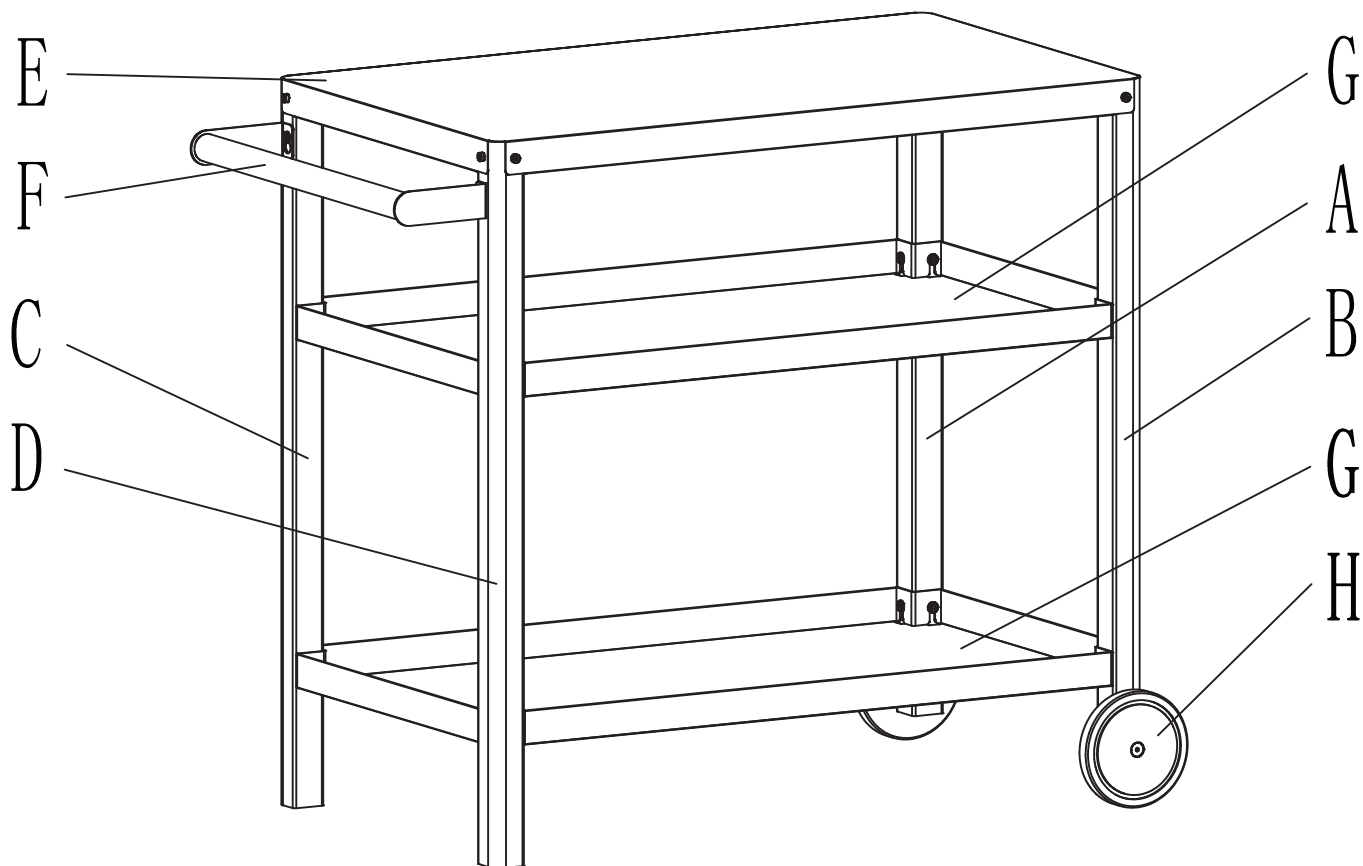
Avoid Using strong powertools to help prevent parts from cracking when assembly



Customer Service

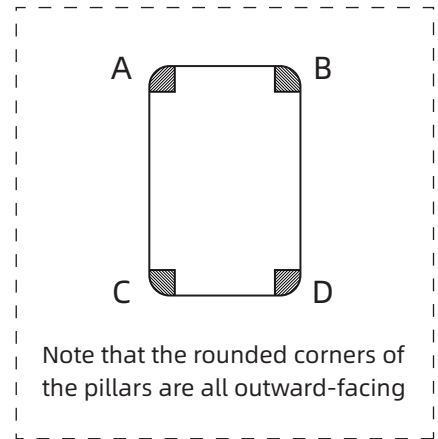
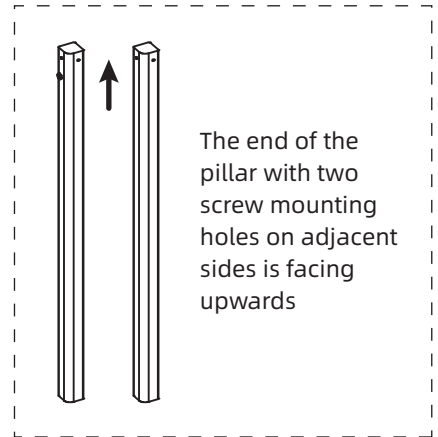
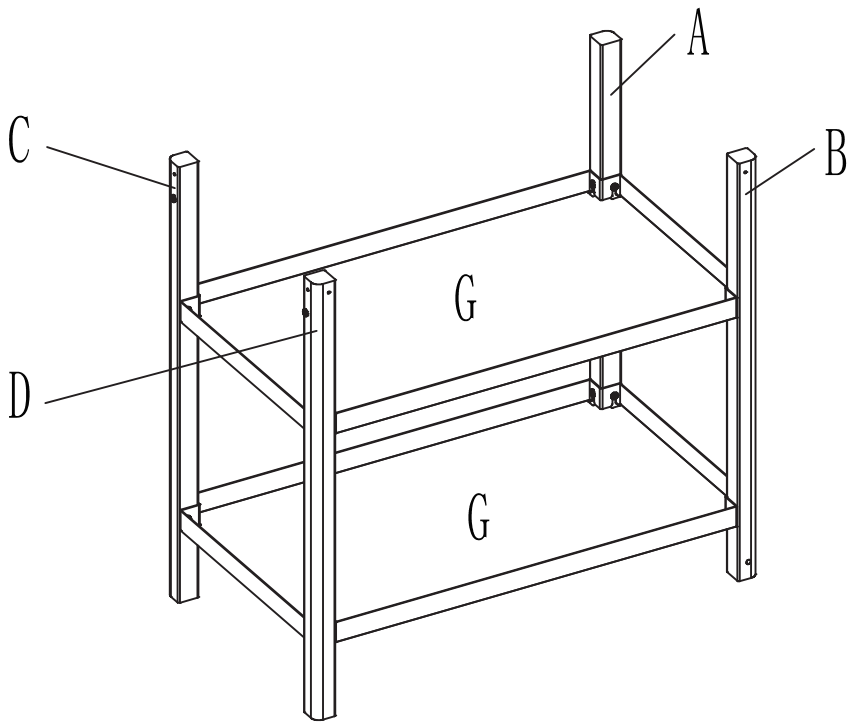
hello.hdpe@gmail.com

A		1PC	①	 M6X20	8PCS
B		1PC	②	 M8X68.5	2PCS
C		1PC	③	 M8	2PCS
D		1PC	④	4# 	1PC
E		1PC	⑤	4# 	1PC
F		1PC	⑥		1PC
G		2PCS			
H		2PCS			

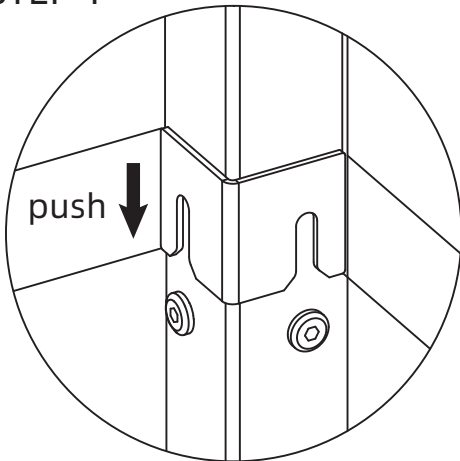


1 Assemble Frame

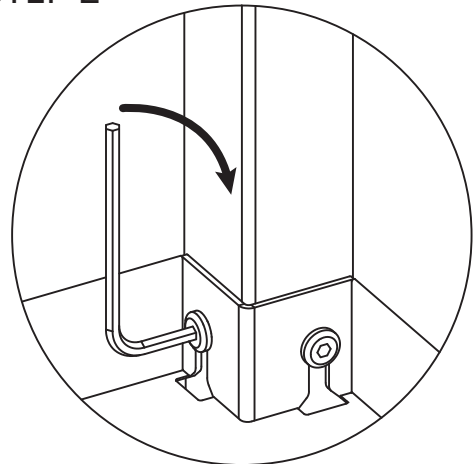
- Make sure the plates and pillars are oriented correctly.



STEP 1

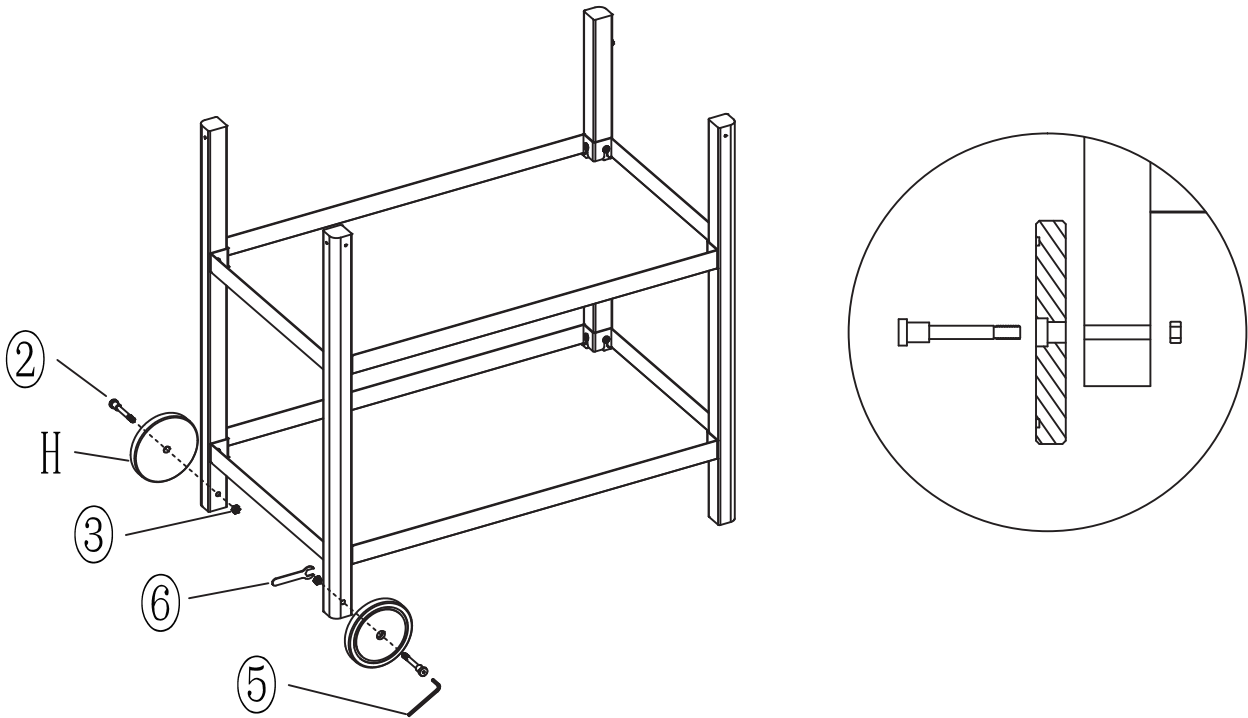


STEP 2



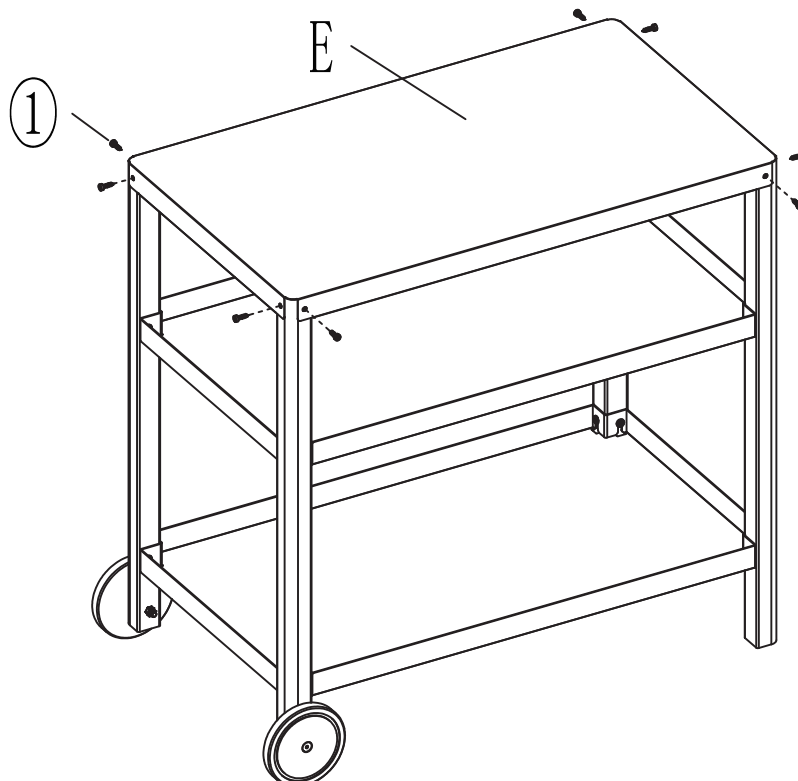
2 Install Wheels

- Please pay attention to the mounting direction of the wheels

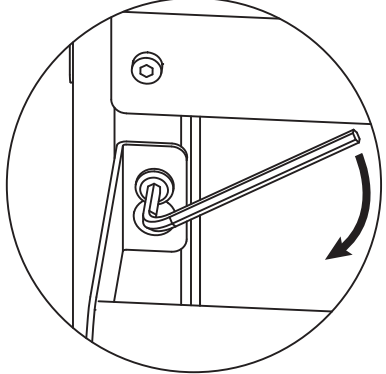
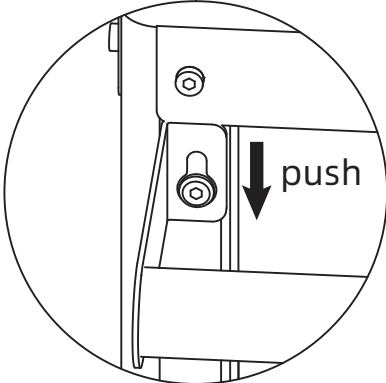
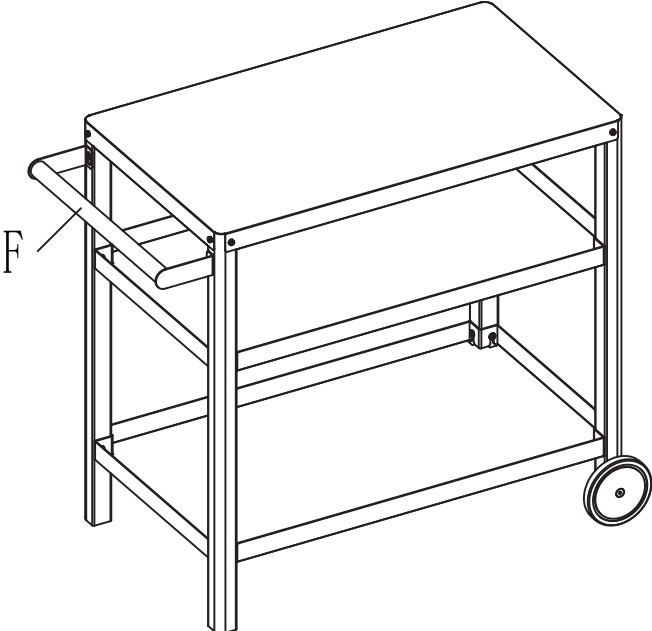


3 Install Panel

- Do not overtighten screws, which can destroy the surface of the panel



4 Install Handle



5

