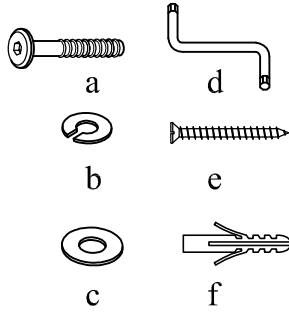


# DRESSER MIRROR

## Assembly Instruction

### A . Components :

- |                  |     |
|------------------|-----|
| 1. Mirror        | 1 x |
| 2. Dresser       | 1 x |
| 3. Frame Support | 2 x |

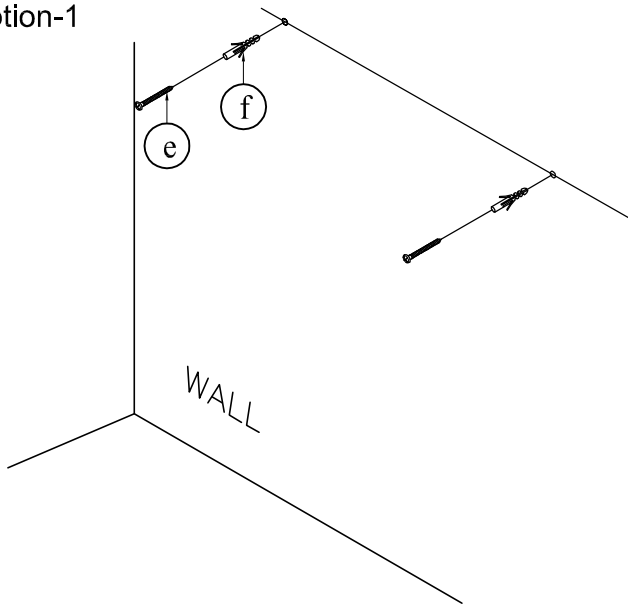


### B . Hardware :

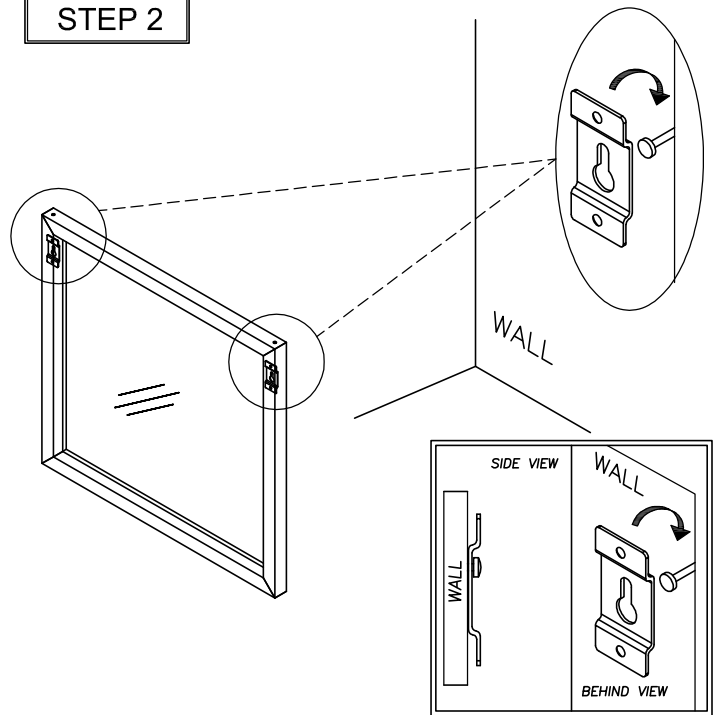
- |                |     |
|----------------|-----|
| a. Allen Bolt  | 8 x |
| b. Lock Washer | 8 x |
| c. Flat Washer | 8 x |
| d. Allen Key   | 1 x |
| e. Screw       | 2 x |
| f. Fischer     | 2 x |

### STEP 1

Option-1



### STEP 2



### STEP 3

Option-2

